

INSTALLATION INSTRUCTIONS

HINT CONSOLE MODULE

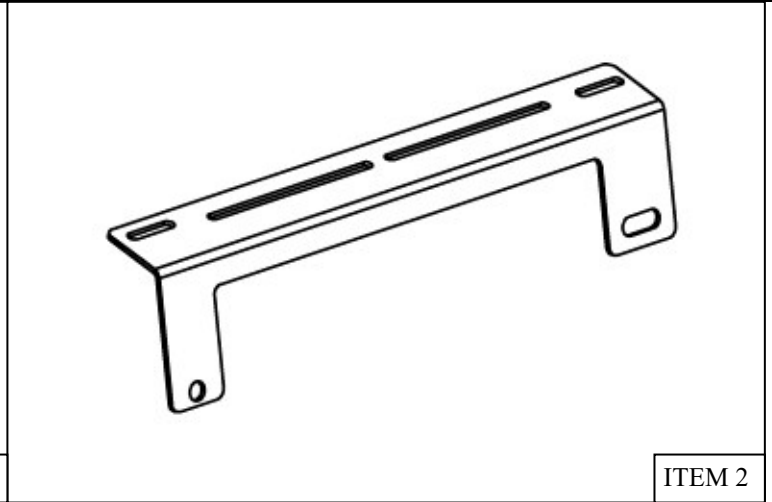
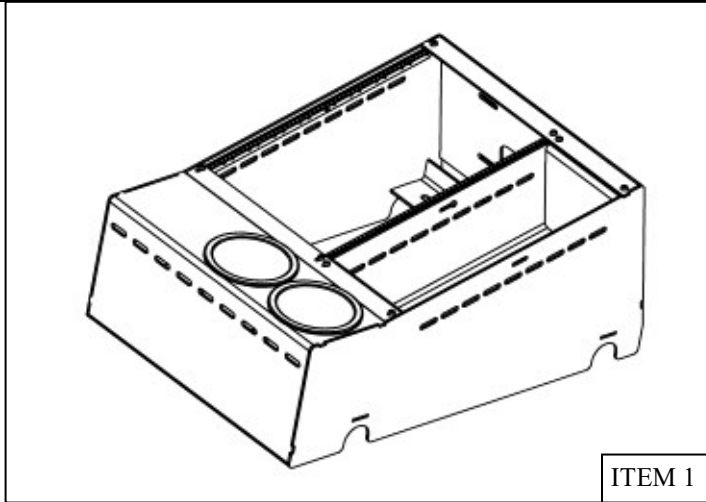


APPLICATION:
TAHOE PPV2021-2025
SILVERADO PPV 2024-2025

PART NUMBER:
800-0018

CONTENT			
ITEM	QUANTITY	DESCRIPTION	TOOLS NEEDED
1	1	COONSOLE ASSEMBLY	
2	1	DRIVER MOUNT BRACKET	
3	1	PASSENGER MOUNT BRACKET	
4	4	5/16 HEX BOLT	
5	4	5/16 SERRATED FLANGE NUT	
6	4	5/16 FLAT WASHER USS	
7	4	5/16 SPLIT LOCK WASHER	
8	4	M12 HEX FLANGE BOLTS	

ANTI-SEIZE LUBRICANT MUST BE USED ON ALL STAINLESS STEEL FASTENERS TO PREVENT THREAD DAMAGE AND GALLING

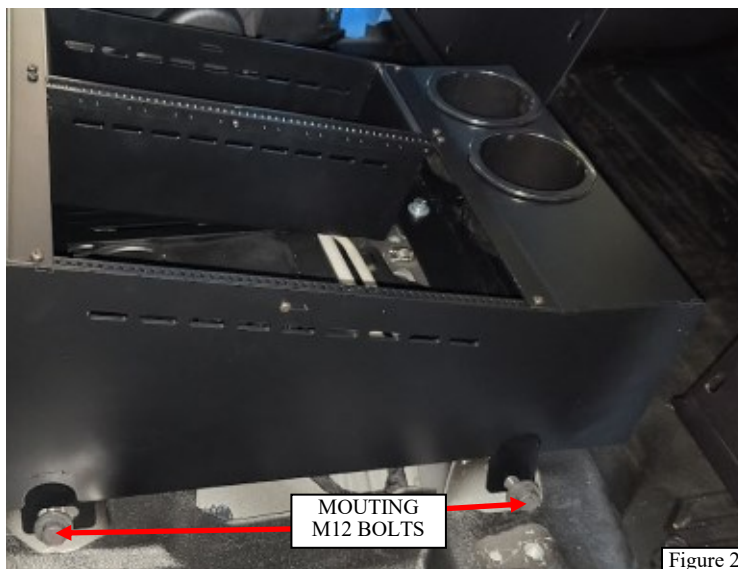
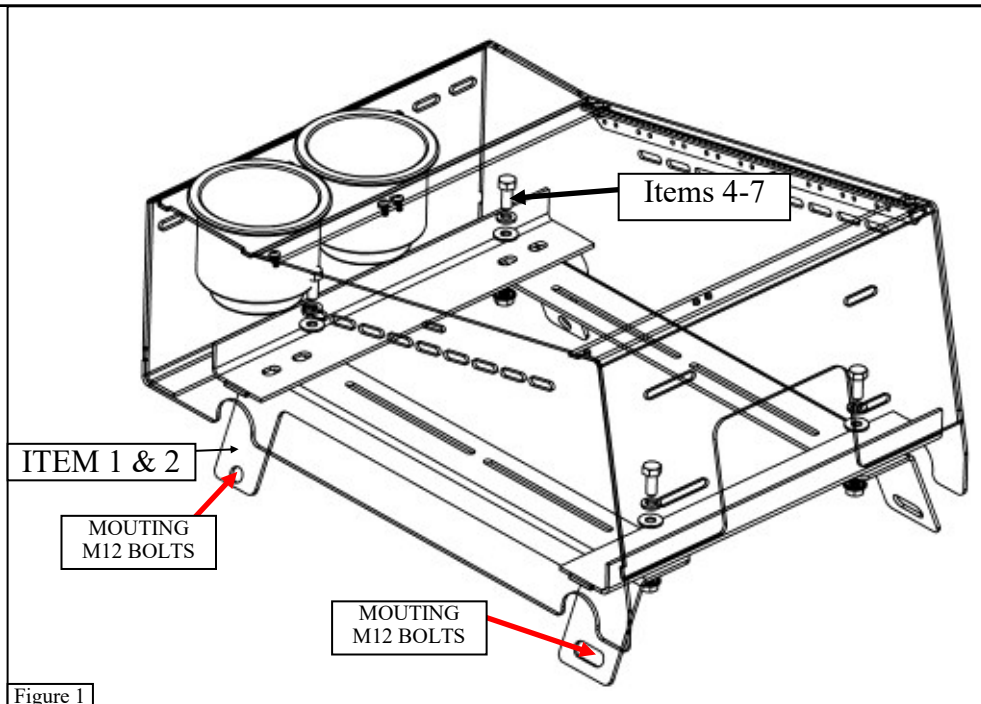


PROCEDURE

1. Remove contents from box, verify if all parts listed are present and free from damage.
Carefully read and understand all instructions before attempting installation.
Failure to identify damage before installation could lead to a rejection of any claim.
2. Connect the mounting bracket (items 2 & 3) onto the console assembly (item 1) using the 5/16 hex bolt hardware.
See **Figure 1**.
3. Mount the Hint console module onto the vehicle using the O.E hardware on the indicated locations. See **Figure 1&2**.
4. **NOTE: TAPPING THE MOUNTING HOLES TO M12-1.75 WILL BE REQUIRED IF OE HARDWARE IS NOT AVAILABLE. THEN USE THE PROVIDED M12 BOLTS (7)**

Note: When installing hardware, loosely install everything and then tighten it all at the end.

Note: Model extension 800-00164 available for this product.



WESTIN

Westin Automotive Products, Inc.
320 W. Covina Blvd
San Dimas, Ca. 91773

Thank you for choosing Westin products
for additional installation assistance please call
Customer Service (800) 793-7846

www.westinautomotive.com

INSTALLATION COMPLETE
800-0018 INSTALLED WITH FRONT MODULE 800-0164



CARE INSTRUCTIONS

- REGULAR WAXING IS RECOMMENDED. DO NOT USE ANY TYPE OF POLISH OR WAX THAT MAY CONTAIN ABRASIVES.
- STAINLESS STEEL PRODUCTS CAN BE CLEANED WITH MILD SOAP AND WATER. STAINLESS STEEL POLISH SHOULD BE USED TO POLISH SMALL SCRATCHES.
- GLOSS BLACK FINISHES SHOULD BE CLEANED WITH MILD SOAP AND WATER.

WESTIN Westin Automotive Products, Inc.
320 W. Covina Blvd
San Dimas, Ca. 91773

Thank you for choosing Westin products
for additional installation assistance please call
Customer Service (800) 793-7846
www.westinautomotive.com
DATE: 12/04/2024



WARNING



Failure to follow these instructions could lead to death, personal injury, and / or property damage.

Failure to follow these instructions could lead to death, personal injury, and / or property damage.

FASTENERS:

All Westin supplied fasteners must be utilized and installed in accordance with the installation instructions and apply torque to the specifications as defined. **DOUBLE CHECK ALL FASTENERS BEFORE INITIAL USE, AND PERIODICALLY IN THE FUTURE TO ENSURE PROPER FUNCTION AND SAFETY.**

DRILLING:

Most Westin products do not require drilling for installation. If drilling is defined as required, use caution when drilling a vehicle. **FAILURE TO REVIEW AN AREA TO BE DRILLED MAY RESULT IN PERSONAL INJURY AND/OR INJURY TO OTHERS AS WELL AS VEHICLE DAMAGE.**

EYE PROTECTION:

ALWAYS WEAR SAFETY GLASSES OR GOGGLES DURING THE INSTALLATION PROCESS TO AVOID PERSONAL INJURY.

MAXIMUM TOWING/CARRYING CAPACITY: (if applicable)

The Westin Receiver Hitches will have a visible tow rating label affixed directly on the product. User should never exceed the vehicle manufacturers maximum tow and weight rating regardless of the capacity of the hitch. **FAILURE TO FOLLOW THESE GUIDELINES WILL VOID THE WESTIN WARRANTY AND MAY RESULT IN PERSONAL INJURY AND/OR INJURY TO OTHERS AS WELL AS VEHICLE DAMAGE.**

FOR CALIFORNIA RESIDENTS ONLY-PROP 65 WARNING:

Some products may contain chemicals such as DEHP, which can cause cancer, birth defects or other reproductive harm. For more info go to www.p65warnings.ca.gov



Westin Automotive Products, Inc.
320 W. Covina Blvd
San Dimas, Ca. 91773