



INSTALLATION INSTRUCTIONS

HDX WINCH MOUNT MODULAR GRILLE GUARD

APPLICATION:

2015-2020 Ford F-150 (Excl. w/Sensors)

PART NUMBER:

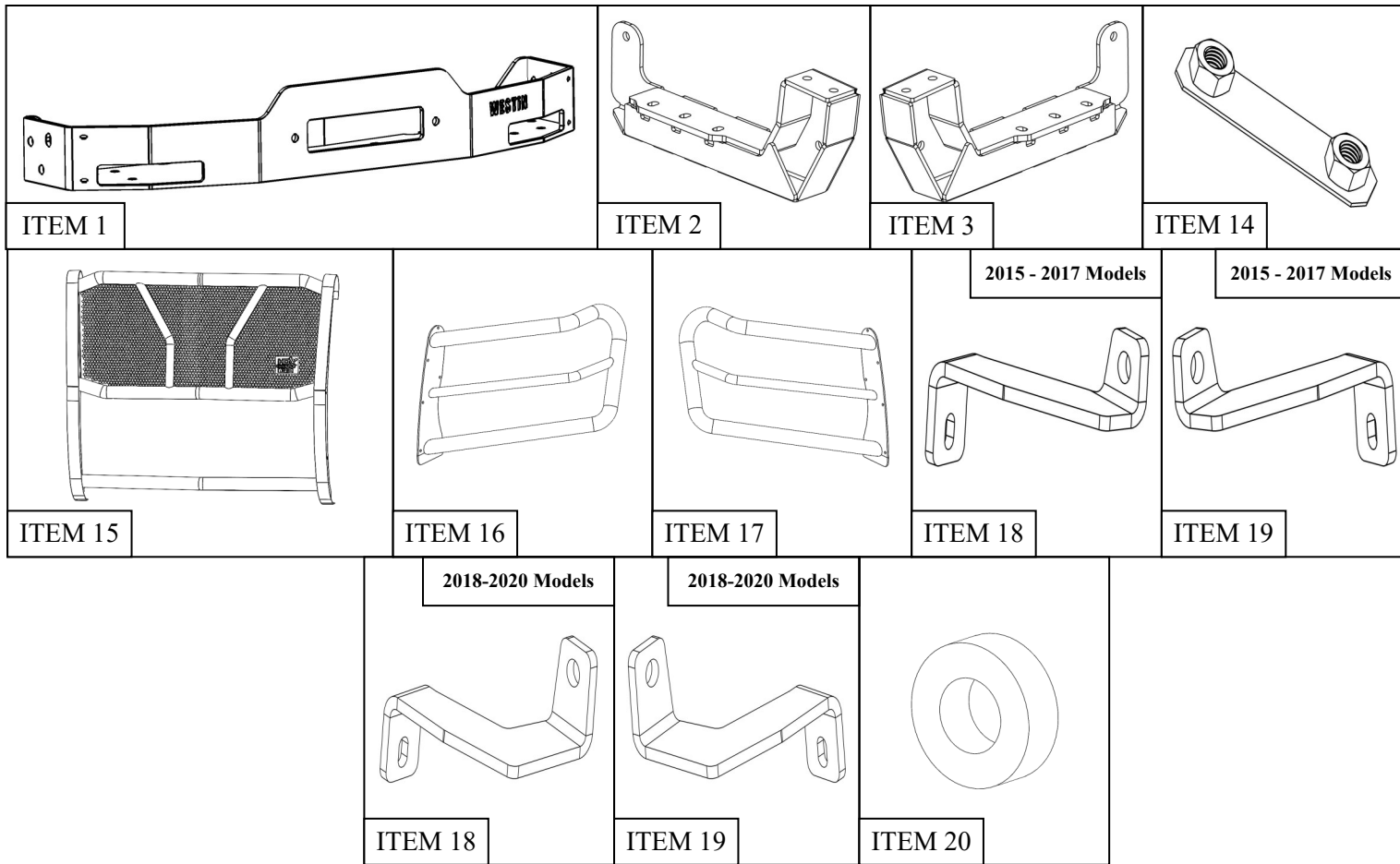
Grille Guard Kit: 57-923935A

Winch Tray Kit: 46-23835

Kit Number: 57-923935

| ITEM | QUANTITY | DESCRIPTION | TOOLS NEEDED |
|---|----------|--|---------------|
| 1 | 1 | WINCH TRAY (46-23835) | 14MM SOCKET |
| 2 | 1 | DRIVER SIDE LOWER MOUNTING BRACKET | 15MM SOCKET |
| 3 | 1 | PASSENGER SIDE LOWER MOUNTING BRACKET | 18MM SOCKET |
| 4 | 2 | M12 HEX NUT | UTILITY KNIFE |
| 5 | 6 | SHORT M12 HEX HEAD BOLT | PRY TOOL |
| 6 | 8 | SMALL M12 FLAT WASHER | ALLEN WRENCH |
| 7 | 8 | M12 SPLIT LOCK WASHER | SOCKET EXT. |
| 8 | 2 | LONG M12 HEX HEAD BOLT | RATCHET |
| 9 | 2 | LARGE M12 FLAT WASHER | TORQUE WRENCH |
| 10 | 4 | M12 HEX NUT (BLACK ZINC) | |
| 11 | 4 | SHORT M12 HEX HEAD BOLT (BLACK ZINC) | |
| 12 | 8 | M12 FLAT WASHER (BLACK ZINC) | |
| 13 | 4 | M12 SPLIT LOCK WASHER (BLACK ZINC) | |
| 14 | 4 | DOUBLE NUT PLATE | |
| 15 | 1 | HDX GRILLE GUARD BASE | |
| HARDWARE ITEMS BELOW ARE INCLUDED WITH THE GRILLE GUARD KIT | | | |
| 16 | 1 | HDX DRIVER WING | |
| 17 | 1 | HDX PASSENGER WING | |
| 18 | 2 | DRIVER UPPER SUPPORT STRAP | |
| 19 | 2 | PASSENGER UPPER SUPPORT STRAP | |
| 20 | 2 | 8MM SPACER | |
| 21 | 2 | M8 HEX HEAD BOLT | |
| 22 | 2 | M8 SPLIT LOCK WASHER | |
| 23 | 2 | M8 FLAT WASHER | |
| 24 | 6 | M12 HEX SOCKET BUTTON HEAD BOLT (BLACK ZINC) | |
| 25 | 6 | M12 BELLVILLE WASHER (BLACK ZINC) | |
| 26 | 6 | M12 SERRATED FLANGE NUT (BLACK ZINC) | |
| 27 | 10 | M8 HEX SOCKET BUTTON HEAD BOLT (BLACK ZINC) | |
| 28 | 10 | M8 BELLVILLE WASHER (BLACK ZINC) | |
| 29 | 10 | M8 SERRATED FLANGE NUT (BLACK ZINC) | |

ANTI-SEIZE LUBRICANT MUST BE USED ON ALL STAINLESS STEEL FASTENERS TO PREVENT THREAD DAMAGE AND GALLING



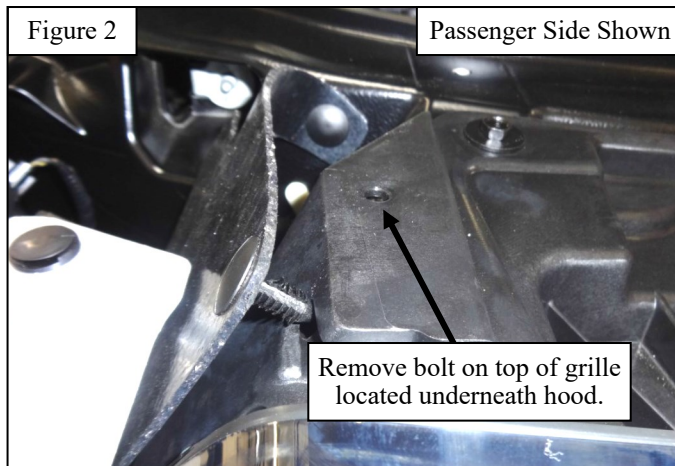
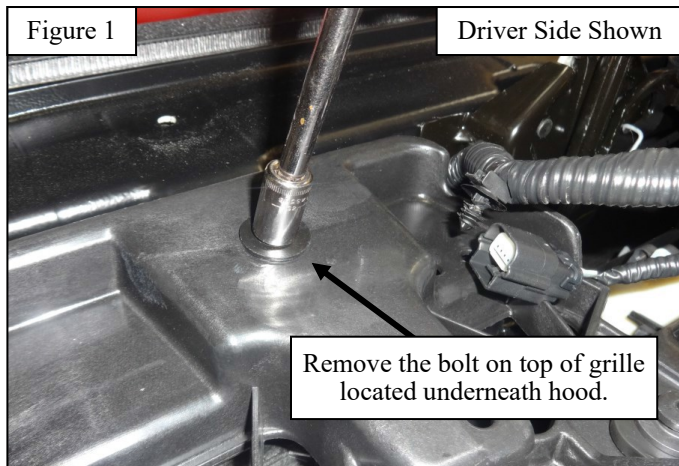
PROCEDURE

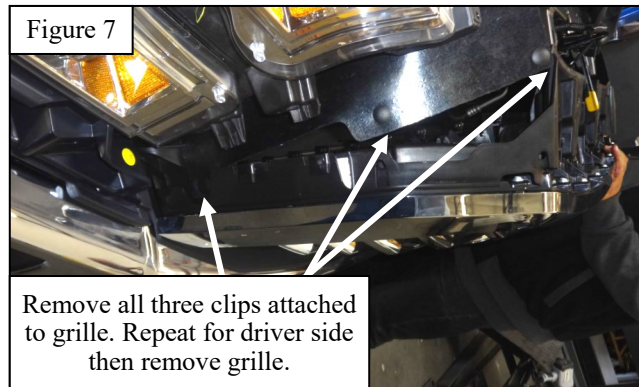
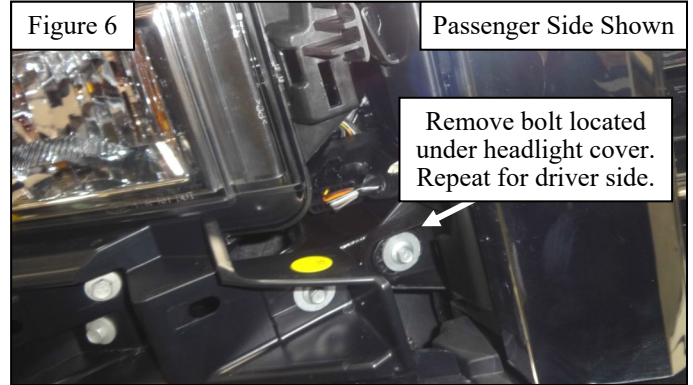
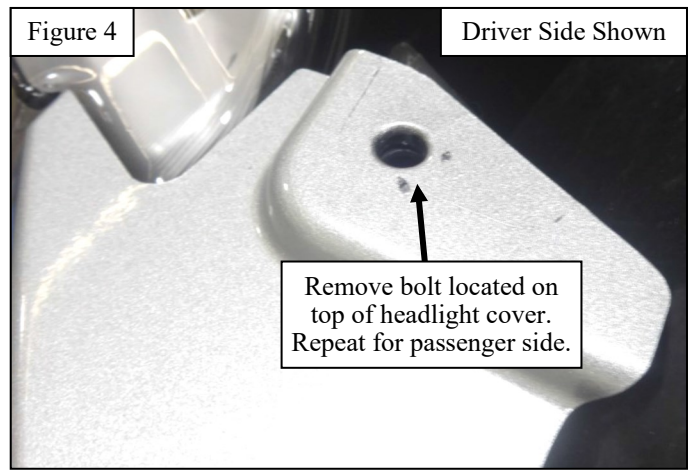
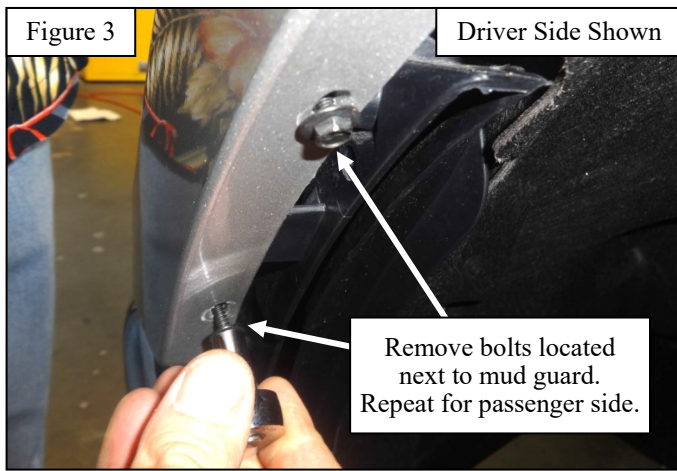
1. Remove contents from box, verify if all parts listed are present and free from damage. Carefully read and understand all instructions before attempting installation. **Failure to identify damage before installation could lead to a rejection of any claim.**

MODULAR GRILLE GUARD INSTALLATION ONLY (Steps 2-5 / 14-15)

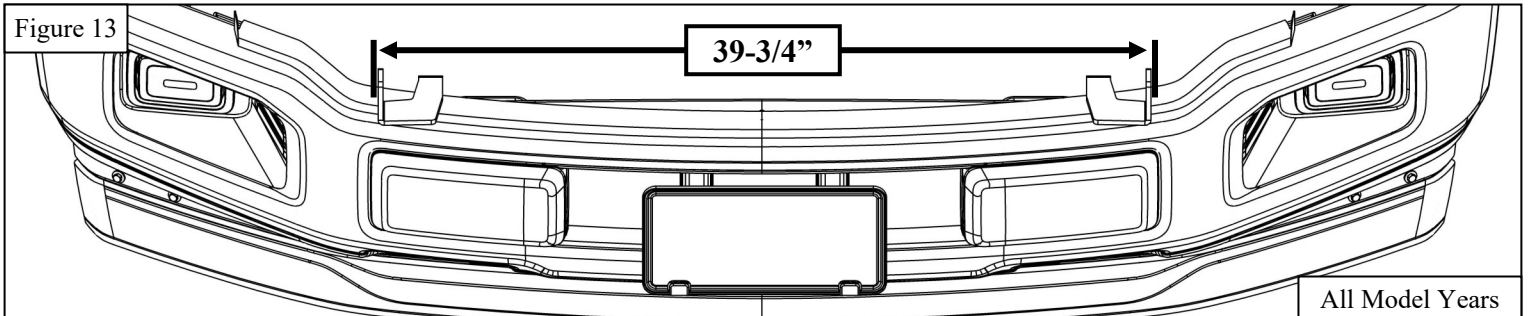
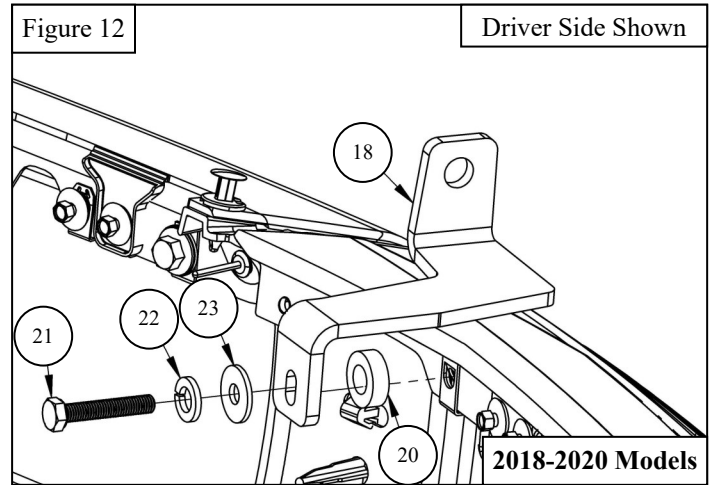
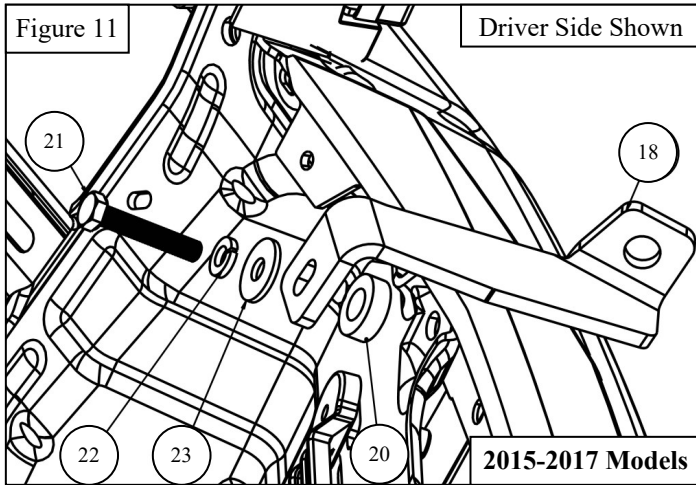
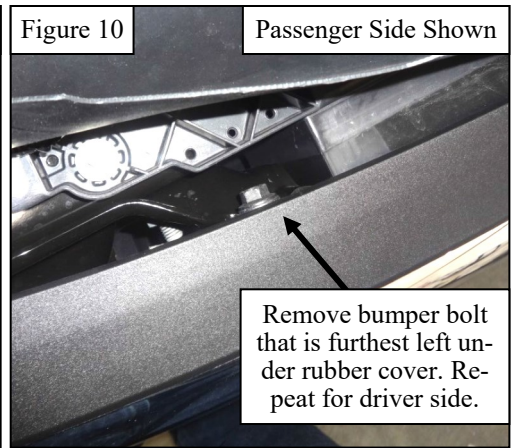
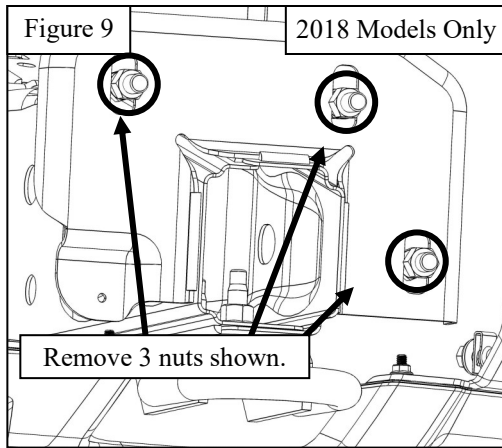
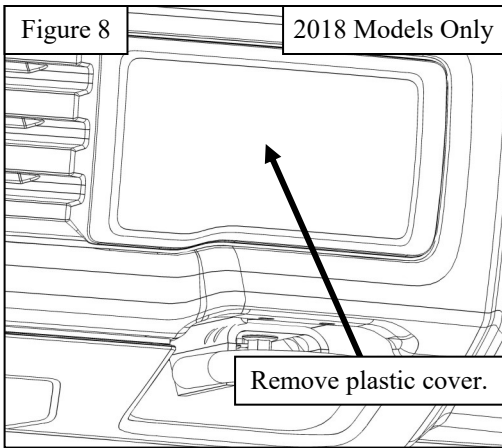
Skip to Step 6 if Modular Grille Guard is not being installed.

2. Remove all of the factory hardware and clips attached to grille. Then, remove the grille. See **Figures 1 through 7** for reference,

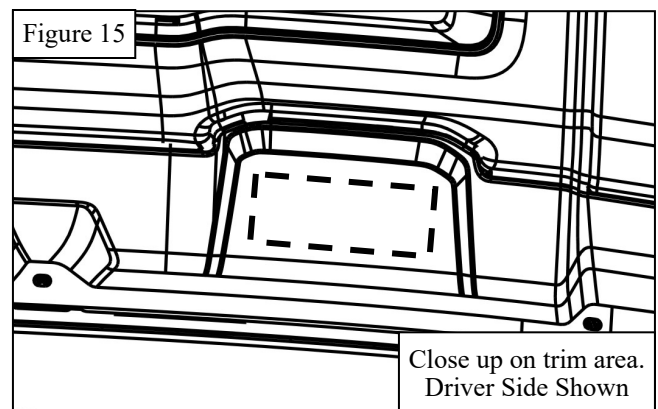
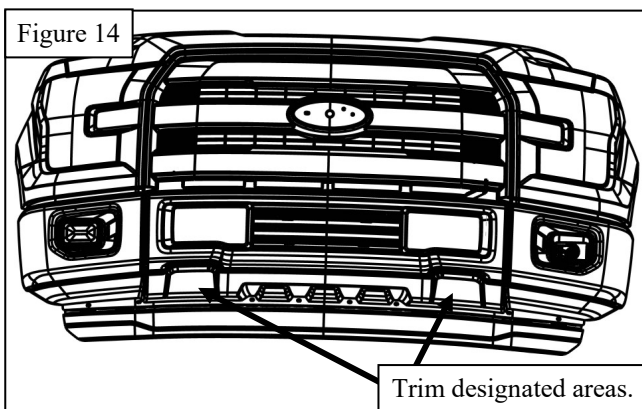




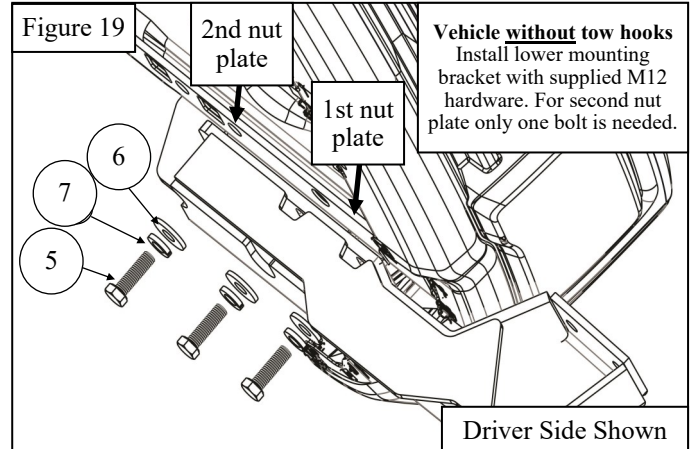
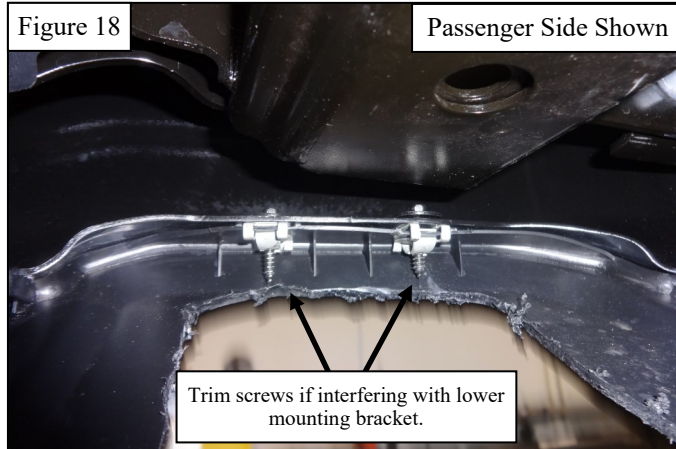
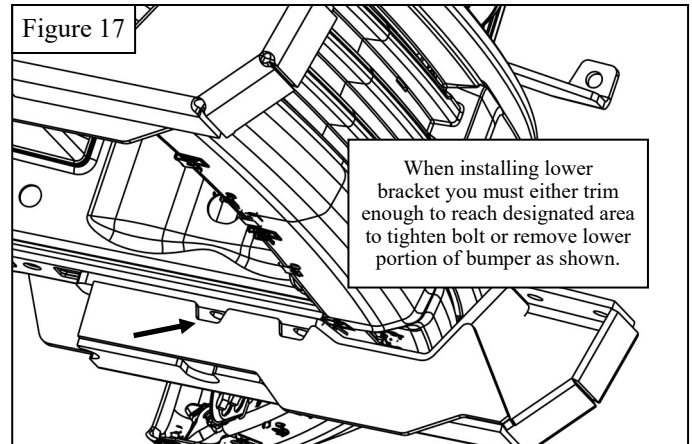
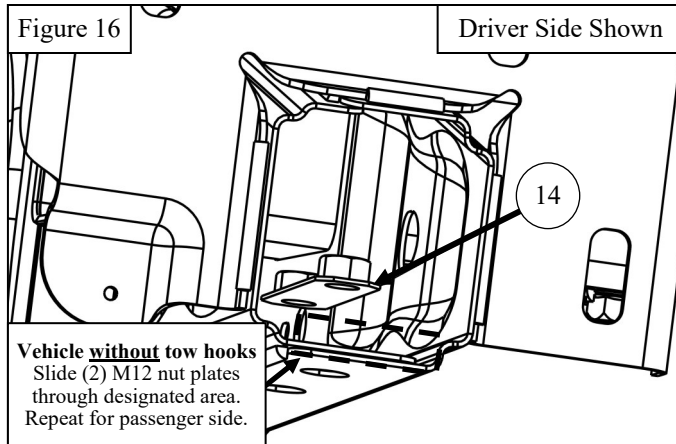
3. **For 2018 Models Only:** Remove the plastic covers that are located above the location of the tow hooks to expose (3) nuts on each side. Remove the nuts in order to remove the front bumper. See **Figures 8 & 9** for reference.
4. Remove factory bumper bolt as shown in **Figure 10**. Install the Upper Support Straps (Items 18-19) using the supplied M8 hardware (Items 21-23). **Note:** Make sure the brackets are approximately 39-3/4" apart from outer bracket flange. For the 2018-2020 model, make sure to lay the bracket firmly on top of the rubber strip that is on top of the bumper. Tighten and torque M8 hardware to 15-18 ft-lbs. See **Figures 11 through 13** for reference.
5. Reinstall the grille, headlight covers, and any other parts removed in the reverse order of the installation instructions.



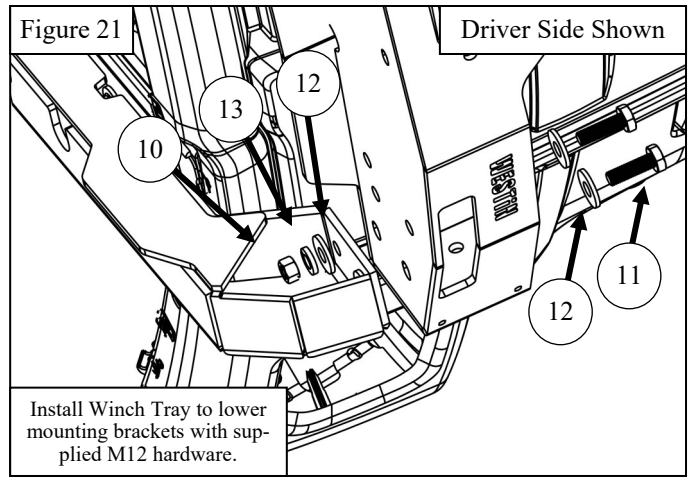
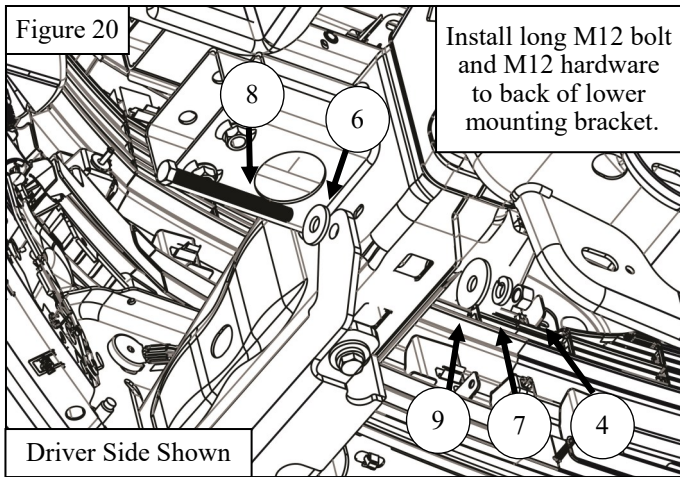
6. For vehicles **without** factory tow hooks: Trim the plastic in the areas as shown in **Figures 14 & 15**. Repeat for the passenger side. **Note:** If you have a 2018-2020 vehicle, the tow hook covers may be removable as mentioned in **Step 3**.



7. For vehicles **without** factory tow hooks: Slip the M12 Double Nut Plates (Item 14) into each frame rail and line up with existing holes. See **Figure 16** for reference. Guide the nut plates with a magnet or screwdriver and align them with the holes shown in **Figure 19**. **Note:** The rear nut plate will only need to be installed with one bolt.
8. For vehicles **without** factory tow hooks: Loosely install the Lower Mounting Brackets (Items 2 & 3) using the supplied M12 hardware as shown in **Figure 19**. **Note:** Trimming of screws may be required if they interfere with lower mounting bracket. See **Figure 18** for reference. Also, The plastic valance which was trimmed in **step 2** may also need to be trimmed further to access a bolt with the ratchet when installing the lower mounting brackets, or the lower valance may be removed. See **Figure 17** for reference.
9. For vehicles **with** factory tow hooks: Remove the tow hooks and slip in the M12 double nut plates into the frame rail. Loosely install the Lower Mounting Brackets (Items 2 & 3) to factory nut plates and supplied nut plate using supplied M12 hardware shown in **Figure 19**. **Note:** Trimming of screws may be required if they interfere with lower mounting bracket. See **Figure 18** for reference. Also, The nut plate will only need to be installed with one bolt. See **Figure 17** for reference.

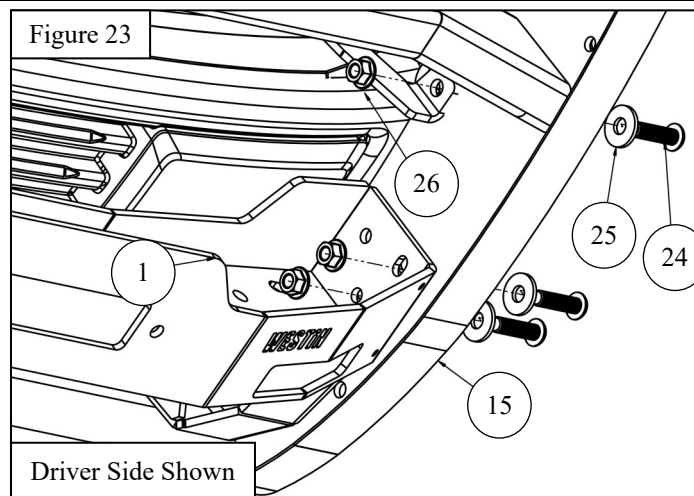


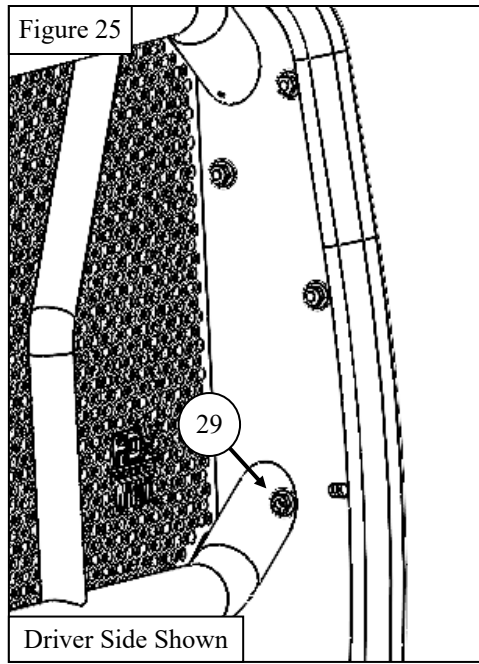
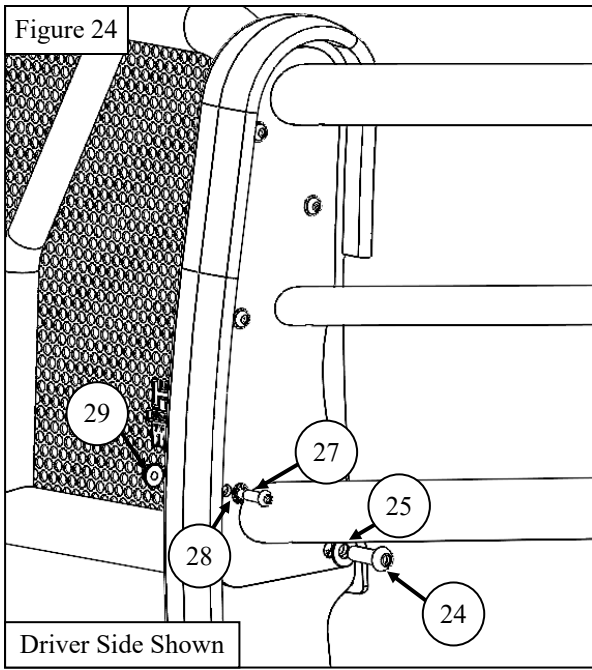
10. Loosely install the long M12 bolt (Item 8) and M12 hardware to the back of the lower mounting brackets. Use the large diameter washer with nut and smaller diameter washer with the bolt as shown in **Figure 20**.
11. Loosely install the Winch Tray to the lower mounting brackets using supplied M12 black zinc hardware. See **Figure 21** for reference.
12. Align and adjust the Winch Tray as needed, then tighten and torque the M12 hardware to 50-55ft-lbs. **Note:** Leave hardware loose if installing grille guard.
13. If installing a winch, install the winch to the winch tray per manufacturers instructions. See **Figure 22** for reference.



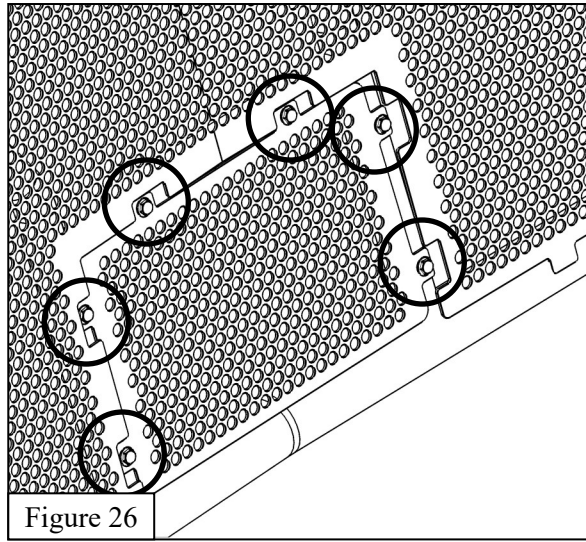
GRILLE GUARD INSTALLATION ONLY

14. With assistance hold the Grille Guard Base (Item 15) up to the previously installed mounting brackets. Loosely attach the Grille Guard Base to the brackets using the supplied M12 hardware for the lower mounting brackets only. See **Figure 23** for reference.
15. Locate and mount the HDX Driver Wing (Item 16) to the Grille Guard Base using the supplied M8 Hardware (Items 19-21). **Note:** For the mounting hole shared with the upper Support Straps, the M12 Hardware will be used. See **Figures 24 & 25** for reference.
16. Repeat for the HDX Passenger Wing (Item 17).
17. Align and adjust the Grille Guard Base, Wings, Winch Tray, and mounting brackets as necessary. Tighten and torque the M8 hardware to 16-18 ft-lbs, M10 hardware to 30-25 ft-lbs, and the M12 hardware to 50-55 ft-lbs.





18. For models with front cameras, remove the screen in the Grille Guard as shown in **Figure 26**.



INSTALLATION COMPLETE



CARE INSTRUCTIONS

- REGULAR WAXING IS RECOMMENDED. DO NOT USE ANY TYPE OF POLISH OR WAX THAT MAY CONTAIN ABRASIVES.
- STAINLESS STEEL PRODUCTS CAN BE CLEANED WITH MILD SOAP AND WATER. STAINLESS STEEL POLISH SHOULD BE USED TO POLISH SMALL SCRATCHES.
- GLOSS BLACK FINISHES SHOULD BE CLEANED WITH MILD SOAP AND WATER.

WESTIN Westin Automotive Products, Inc.
320 W. Covina Blvd
San Dimas, Ca. 91773

Thank you for choosing Westin products
for additional installation assistance please call
Customer Service (800) 793-7846
www.westinautomotive.com



WARNING



Failure to follow these instructions could lead to death, personal injury, and / or property damage.

Failure to follow these instructions could lead to death, personal injury, and / or property damage.

FASTENERS:

All Westin supplied fasteners must be utilized and installed in accordance with the installation instructions and apply torque to the specifications as defined. **DOUBLE CHECK ALL FASTENERS BEFORE INITIAL USE, AND PERIODICALLY IN THE FUTURE TO ENSURE PROPER FUNCTION AND SAFETY.**

DRILLING:

Most Westin products do not require drilling for installation. If drilling is defined as required, use caution when drilling a vehicle. **FAILURE TO REVIEW AN AREA TO BE DRILLED MAY RESULT IN PERSONAL INJURY AND/OR INJURY TO OTHERS AS WELL AS VEHICLE DAMAGE.**

EYE PROTECTION:

ALWAYS WEAR SAFETY GLASSES OR GOGGLES DURING THE INSTALLATION PROCESS TO AVOID PERSONAL INJURY.

MAXIMUM TOWING/CARRYING CAPACITY: (if applicable)

The Westin Receiver Hitches will have a visible tow rating label affixed directly on the product. User should never exceed the vehicle manufacturers maximum tow and weight rating regardless of the capacity of the hitch. **FAILURE TO FOLLOW THESE GUIDELINES WILL VOID THE WESTIN WARRANTY AND MAY RESULT IN PERSONAL INJURY AND/OR INJURY TO OTHERS AS WELL AS VEHICLE DAMAGE.**

FOR CALIFORNIA RESIDENTS ONLY-PROP 65 WARNING:

Some products may contain chemicals such as DEHP, which can cause cancer, birth defects or other reproductive harm. For more info go to www.p65warnings.ca.gov