

INSTALLATION INSTRUCTIONS

XTS REAR DRIVER CARRIER

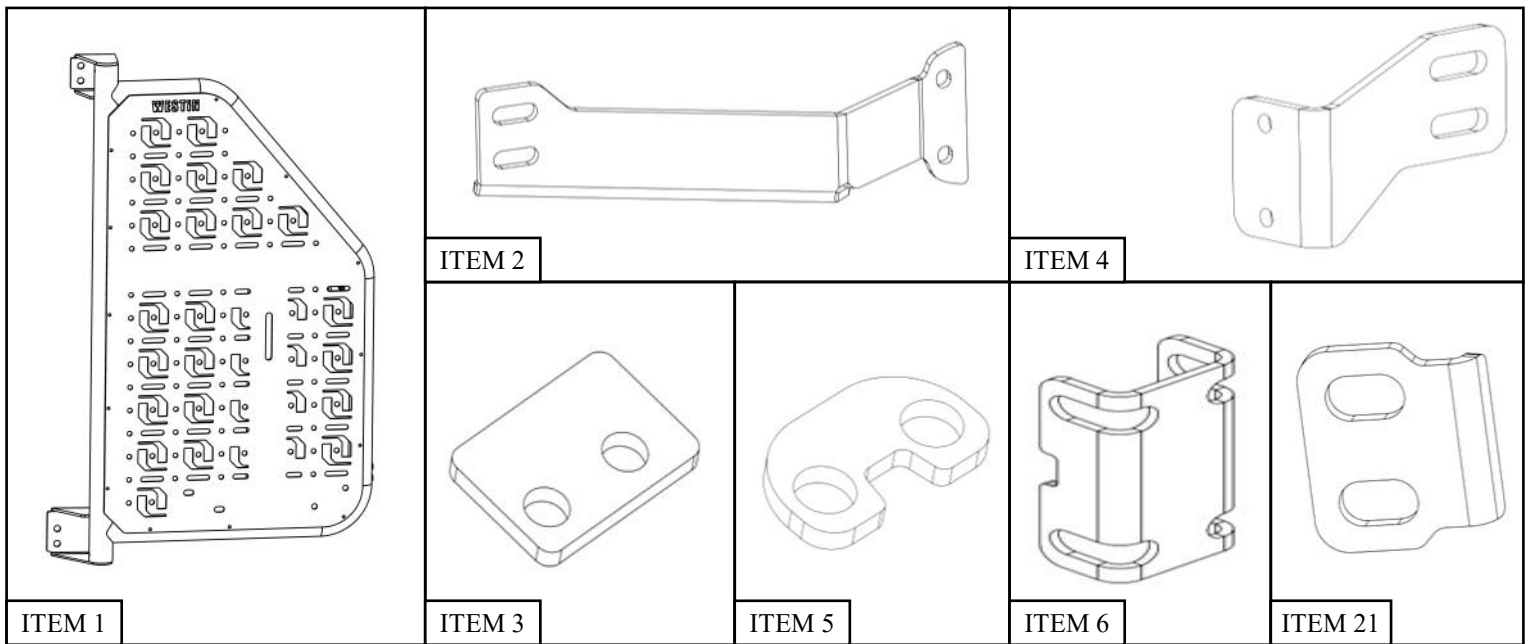


APPLICATION:
Mercedes-Benz Sprinter 2019-2022

PART NUMBER:
59-732295

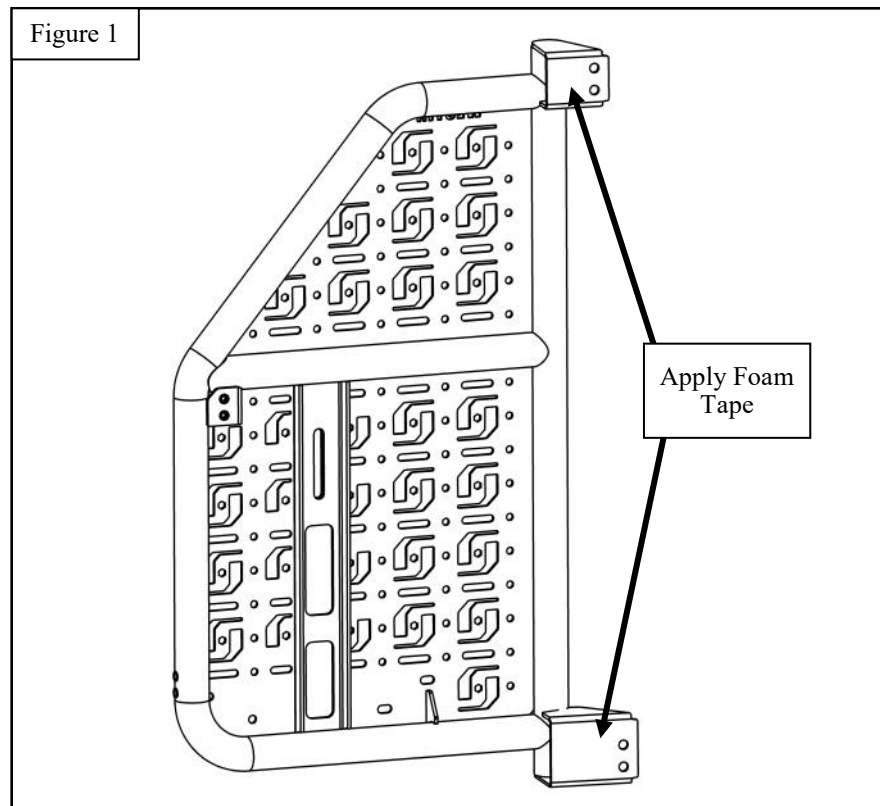
CONTENT			
ITEM	QUANTITY	DESCRIPTION	TOOLS NEEDED
1	1	DRIVER SIDE CARGO CARRIER FRAME	10MM SOCKET
2	1	UPPER BRACKET	13MM SOCKET
3	1	LOWER BRACKET	RATCHET
4	1	LOWER PLATE	TORQUE WRENCH
5	1	UPPER PLATE	
6	1	LOGO BRACKET	
7	1	RUBBER BUMPER	
8	1	FOAM TAPE	
9	4	M6 HEX SOCKET BUTTON HEAD CAP SCREW	
10	2	M6 SOCKET HEAD CAP SCREW	
11	6	M6 SPLIT LOCK WASHER	
12	6	M6 FLAT WASHER	
13	6	M6 SERRATED FLANGE HEX NUT	
14	4	M8 HEX HEAD CAP SCREW	
15	4	M8 SPLIT LOCK WASHER	
16	4	M8 FLAT WASHER	
17	4	M12 HEX SOCKET BUTTON HEAD CAP SCREW	
18	4	M12 SERRATED FLANGE HEX NUT	
19	8	M6 U-CLIP	
20	8	M8 U-CLIP	
21	2	DOOR STOP BRACKET	

ANTI-SEIZE LUBRICANT MUST BE USED ON ALL STAINLESS STEEL FASTENERS TO PREVENT THREAD DAMAGE AND GALLING

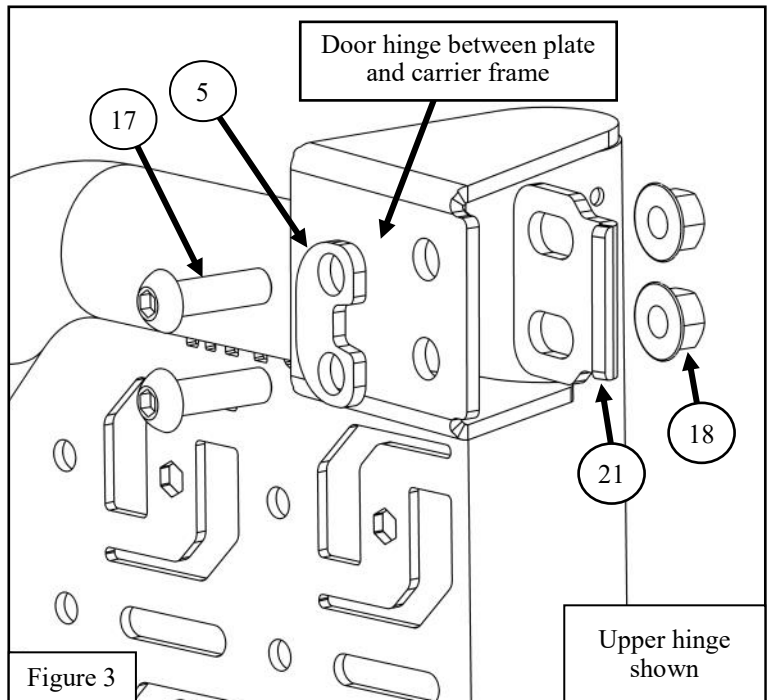


PROCEDURE

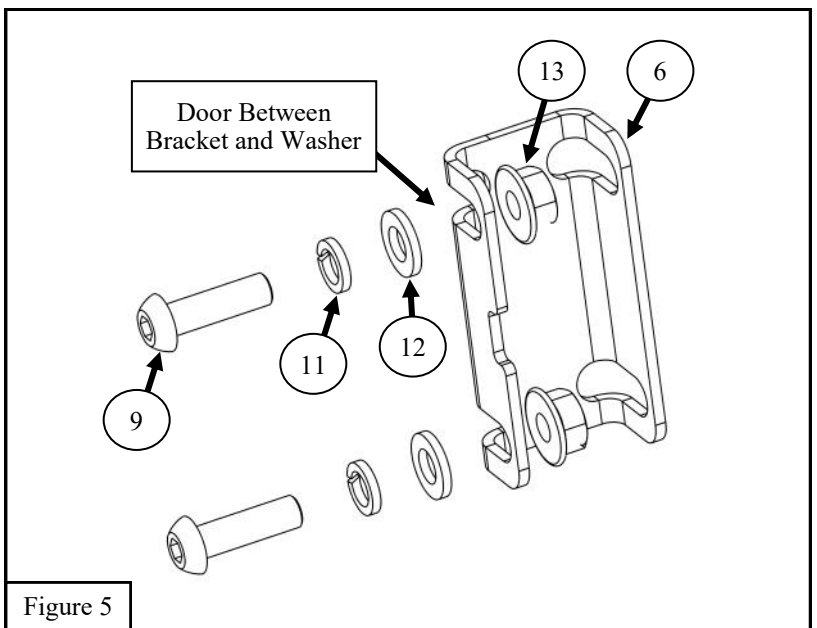
1. Remove contents from box, verify if all parts listed are present and free from damage. Carefully read and understand all instructions before attempting installation. **Failure to identify damage before installation could lead to a rejection of any claim.**
2. Trim the Foam Tape (item 8) to appropriate lengths and place it where the carrier frame contacts the door hinges. See **Figure 1**.



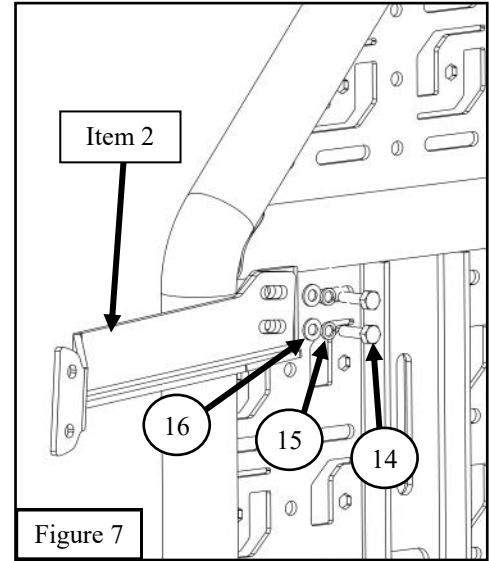
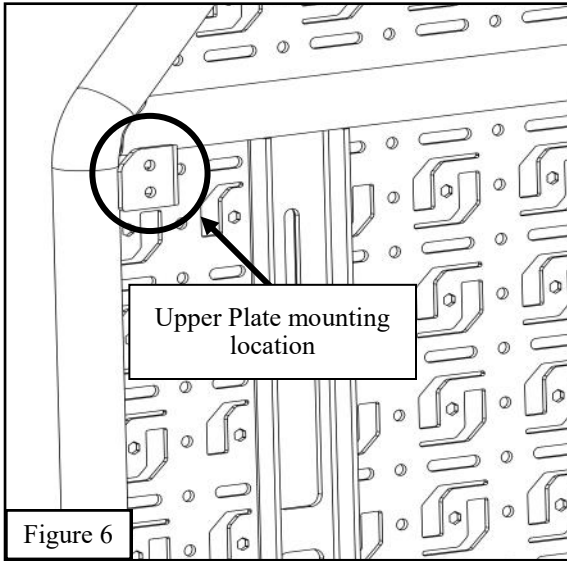
- Loosely install the Driver Side Cargo Carrier Frame (item 1) onto the outside of the driver side rear door hinges using the Lower Plate (item 4), Upper Plate (item 5), M12 hardware (items 17-18), and Door Stop Brackets (item 21). See **Figures 2-3**.
- Open the door to location where the door should open.
- Adjust the door stop brackets so that they will stop the door.
- Tighten the M12 hardware to 50-55 ft-lbs..



- Remove the Mercedes logo from the passenger side door. See **Figure 4**.
 - Install the Mercedes logo onto the Logo Bracket using the hardware removed in **Step 4**.
 - Install the Logo Bracket (item 6) onto the passenger side door using the M6 hardware (items 9, 11, 12, 13).
- Note: If the XTS Rear Passenger Carrier is also being installed, use the logo bracket included with the XTS Rear Passenger Carrier.*

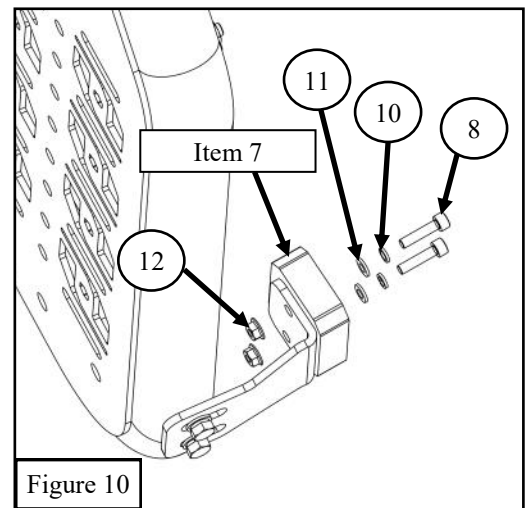
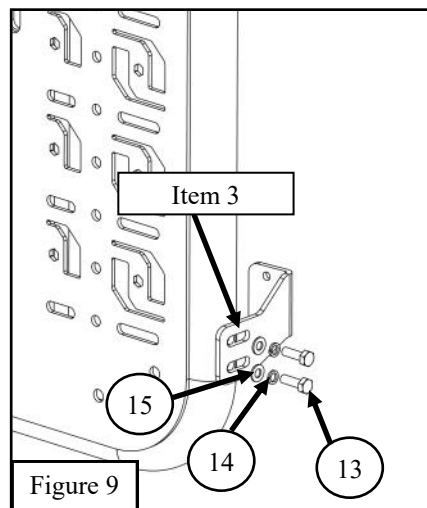
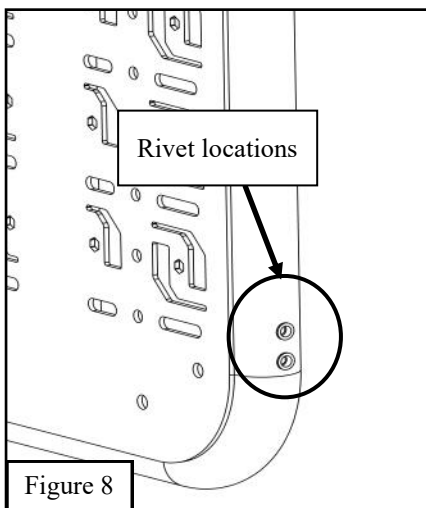


10. Install the Upper Bracket (item 2) onto the Driver Side Cargo Carrier Frame (item 1) using the M8 hardware (items 14-16). See **Figure 6-7**.



11. Using the upper bracket as a stencil, mark the location of the two holes that will be used to attach the upper bracket to the driver side rear door.
12. Remove the plastic panel from the inside of the driver side rear door.
13. Drill two 1/4" holes in the locations marked in **Step 11**.
14. Install the upper bracket to the driver side rear door using the M6 hardware (items 9, 11, 12, 13).
15. Install the Rubber Bumper (item 7) onto the Lower Bracket (item 3) using the M6 hardware (items 10-13). See **Figure 10**.
16. Install the Lower Bracket onto the Driver Side Cargo Carrier Frame using the M8 hardware (items 14-16). See **Figures 8-9**.
17. Tighten and torque all hardware to the following specifications: M6 hardware to 7-10 ft-lbs., M8 hardware to 15-18 ft-lbs., and M12 hardware to 50-55 ft-lbs..
18. Reinstall the plastic panel on the inside of the driver side rear door.

The M6 and M8 U-Clips (items 21 and 22) can be used to install accessories onto the cargo carrier.



INSTALLATION COMPLETE



Tire Carrier Kit, XTS Rear Passenger Carrier, and Outlaw Rear Step Not Included

CARE INSTRUCTIONS

- REGULAR WAXING IS RECOMMENDED. DO NOT USE ANY TYPE OF POLISH OR WAX THAT MAY CONTAIN ABRASIVES.
- STAINLESS STEEL PRODUCTS CAN BE CLEANED WITH MILD SOAP AND WATER. STAINLESS STEEL POLISH SHOULD BE USED TO POLISH SMALL SCRATCHES.
- GLOSS BLACK FINISHES SHOULD BE CLEANED WITH MILD SOAP AND WATER.

WESTIN Westin Automotive Products, Inc.
320 W. Covina Blvd
San Dimas, Ca. 91773

Thank you for choosing Westin products
for additional installation assistance please call
Customer Service (800) 793-7846



WARNING



Failure to follow these instructions could lead to death, personal injury, and / or property damage.

Failure to follow these instructions could lead to death, personal injury, and / or property damage.

FASTENERS:

All Westin supplied fasteners must be utilized and installed in accordance with the installation instructions and apply torque to the specifications as defined. **DOUBLE CHECK ALL FASTENERS BEFORE INITIAL USE, AND PERIODICALLY IN THE FUTURE TO ENSURE PROPER FUNCTION AND SAFETY.**

DRILLING:

Most Westin products do not require drilling for installation. If drilling is defined as required, use caution when drilling a vehicle. **FAILURE TO REVIEW AN AREA TO BE DRILLED MAY RESULT IN PERSONAL INJURY AND/OR INJURY TO OTHERS AS WELL AS VEHICLE DAMAGE.**

EYE PROTECTION:

ALWAYS WEAR SAFETY GLASSES OR GOGGLES DURING THE INSTALLATION PROCESS TO AVOID PERSONAL INJURY.

MAXIMUM TOWING/CARRYING CAPACITY: (if applicable)

The Westin Receiver Hitches will have a visible tow rating label affixed directly on the product. User should never exceed the vehicle manufacturers maximum tow and weight rating regardless of the capacity of the hitch. **FAILURE TO FOLLOW THESE GUIDELINES WILL VOID THE WESTIN WARRANTY AND MAY RESULT IN PERSONAL INJURY AND/OR INJURY TO OTHERS AS WELL AS VEHICLE DAMAGE.**

FOR CALIFORNIA RESIDENTS ONLY-PROP 65 WARNING:

Some products may contain chemicals such as DEHP, which can cause cancer, birth defects or other reproductive harm. For more info go to www.p65warnings.ca.gov



Westin Automotive Products, Inc.
320 W. Covina Blvd
San Dimas, Ca. 91773