

INSTALLATION INSTRUCTIONS

PRO-SERIES FRONT BUMPER

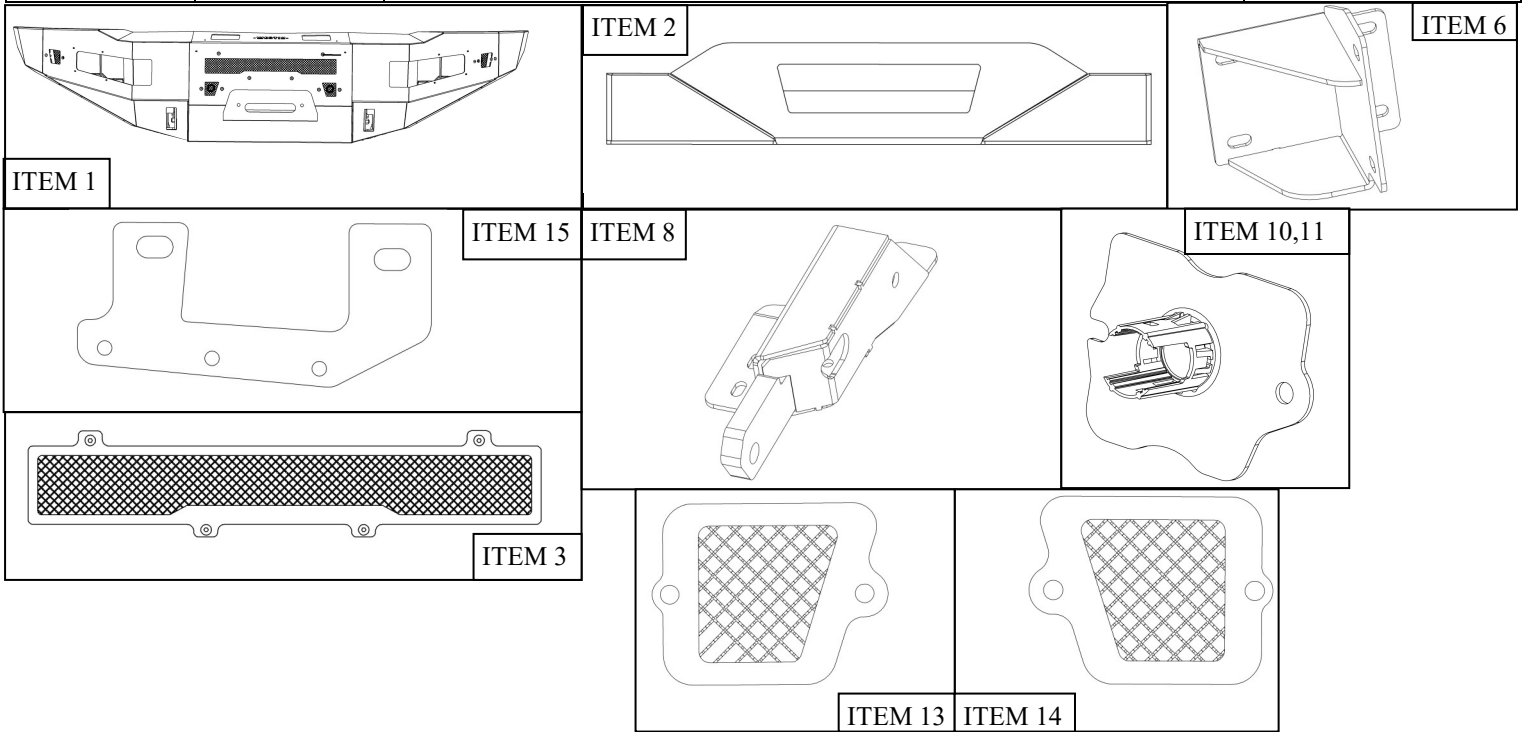


APPLICATION:
Chevrolet Silverado 2500/3500 2015-2019
PART NUMBER:
58-411165

CONTENT			
TEM	QUANTITY	DESCRIPTION	TOOLS NEEDED
1	1	PRO-SERIES FRONT BUMPER	10MM SOCKET
2	1	WINCH TRAY	10MM WRENCH
3	1	LED COVER	17MM SOCKET
4	1	LED DRIVER BRACKET	17MM WRENCH
5	1	LED PASSENGER BRACKET	19MM SOCKET
6	1	MAIN DRIVER BRACKET	19MM WRENCH
7	1	MAIN PASSENGER BRACKET	RATCHET
8	1	TRAY DRIVER BRACKET	TORQUE WRENCH
9	1	TRAY PASSENGER BRACKET	TAPE MEASURE
10	4	SENSOR RETAINER	ALLEN
11	4	SENSOR PLATE	
12	2	SENSOR WIRING HARNESS	
13	1	MESH COVER A	
14	1	MESH COVER B	
15	4	MOUNTING BRACKET A	
16	1	DRIVER TRAY SUPPORT BRACKET	
17	1	PASSENGER TRAY SUPPORT BRACKET	
18	2	TRAY SUPPORT PLATE	
19	2	M12 BOLT PLATE	
20	6	M10 HEX HEAD BOLT	
21	6	M10 SERRATED FLANGE NUT	
22	6	M10 FLAT WASHER	
23	14	M12 SERRATED FLANGE NUT	
24	24	M12 HEX HEAD BOLT	
25	12	M12 LOCK WASHER	
26	26	M12 FLAT WASHER	
27	4	M6 HEX HEAD BOLT	
28	8	M6 FLAT WASHER	

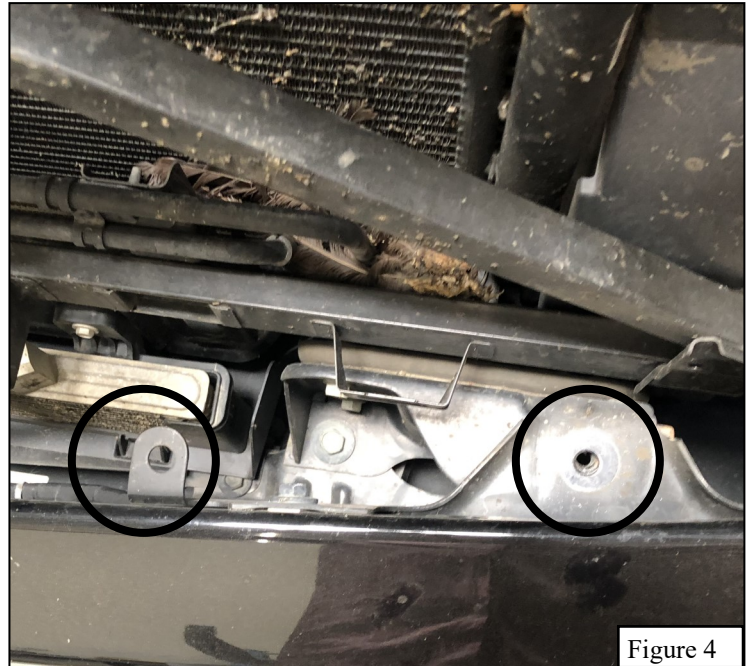
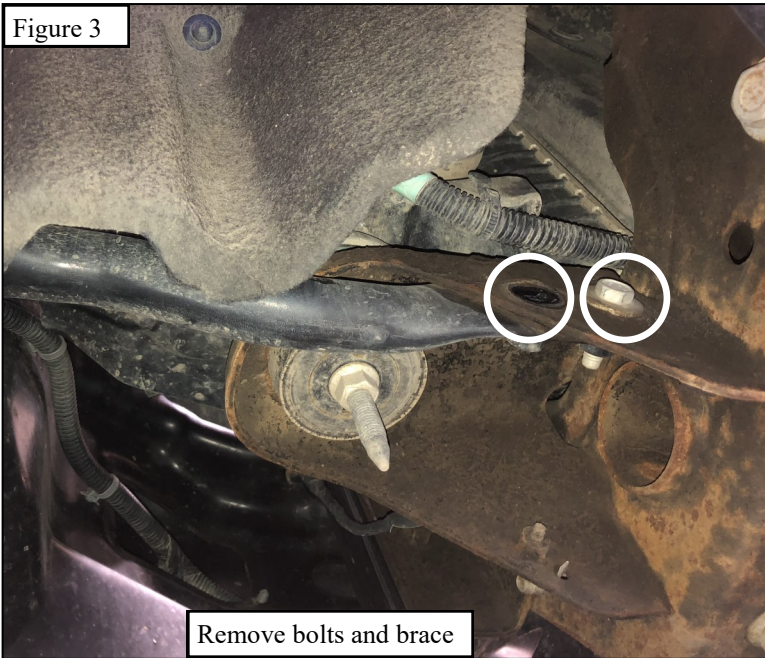
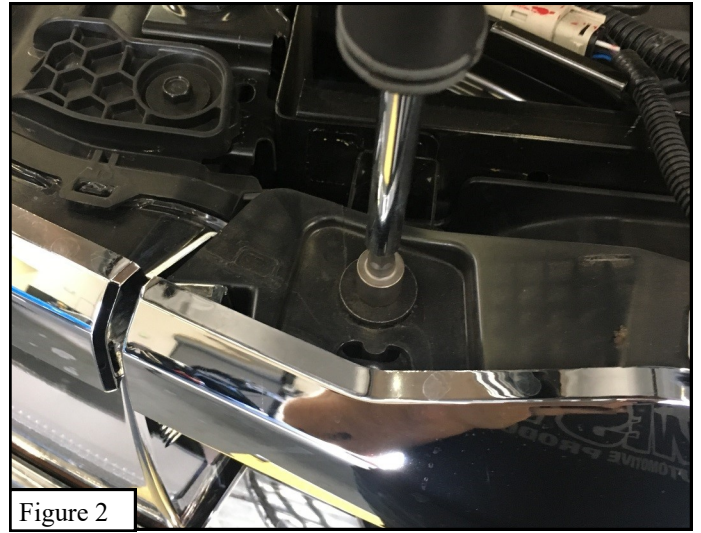
ANTI-SEIZE LUBRICANT MUST BE USED ON ALL STAINLESS STEEL FASTENERS TO PREVENT THREAD DAMAGE AND GALLING

29	16	M6 SERRATED FLANGE NUT	
30	12	M6 COUNTERSUNK HEAD SCREWS	
31	2	M12 PLASTIC RETAINERS	
32	2	M12 FISH WIRE	



PROCEDURE

1. Remove contents from box, verify if all parts listed are present and free from damage.
Carefully read and understand all instructions before attempting installation.
Failure to identify damage before installation could lead to a rejection of any claim.
2. Remove OEM bumper
 - a. Open the hood of the vehicle and remove the plastic cover at the front using a pry tool. See **Figure 1**.
 - b. Remove the four bolts holding the grill in place and uninstall the grill. See **Figure 2**.
 - c. Remove the braces on each side of the vehicle by removing the bolts indicated in **Figure 3**.
 - d. Disconnect all electrical connections to the stock bumper.
 - e. Remove the two bolts indicated in **Figure 4** on the driver's side of the vehicle. Repeat procedure on the passenger's side.
 - f. Remove bumper.



3. Using supplied M12 bolt plates and fish wire, pull the bolt plate through the inside of the frame. See **Figure 5**
4. Using Supplied M10 and M12 hardware, loosely install the main brackets, support brackets, and bracket A on both sides. (8-9). Note: The main bracket sides into the frame. The support brackets mount under the frame. See **Figure 6-8**

Figure 5



Figure 6

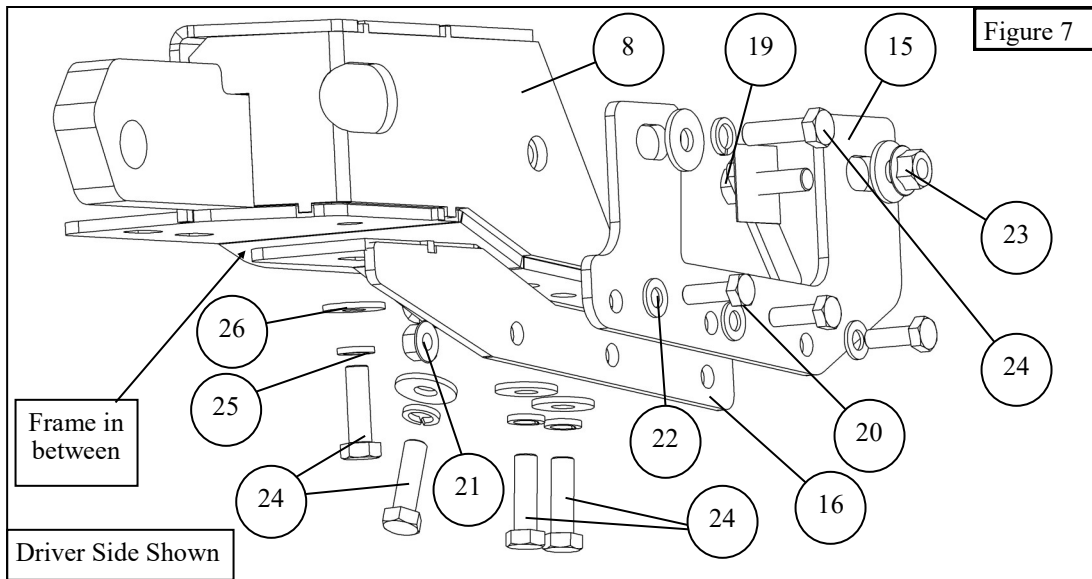
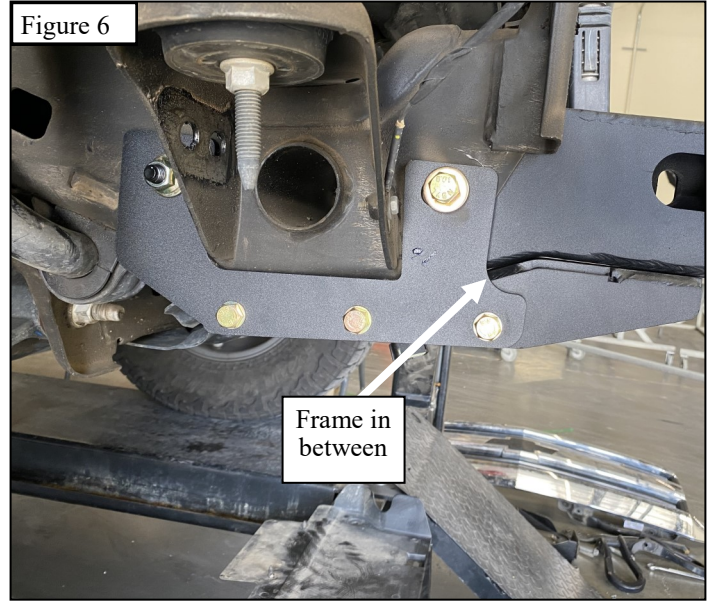




Figure 8

5. Using supplied M12 hardware, install the winch tray to the mounting brackets. Use the provided hole to access the inside of the brackets. See **Figure 9**.
6. Install your winch at this time following manufacturer's instructions.

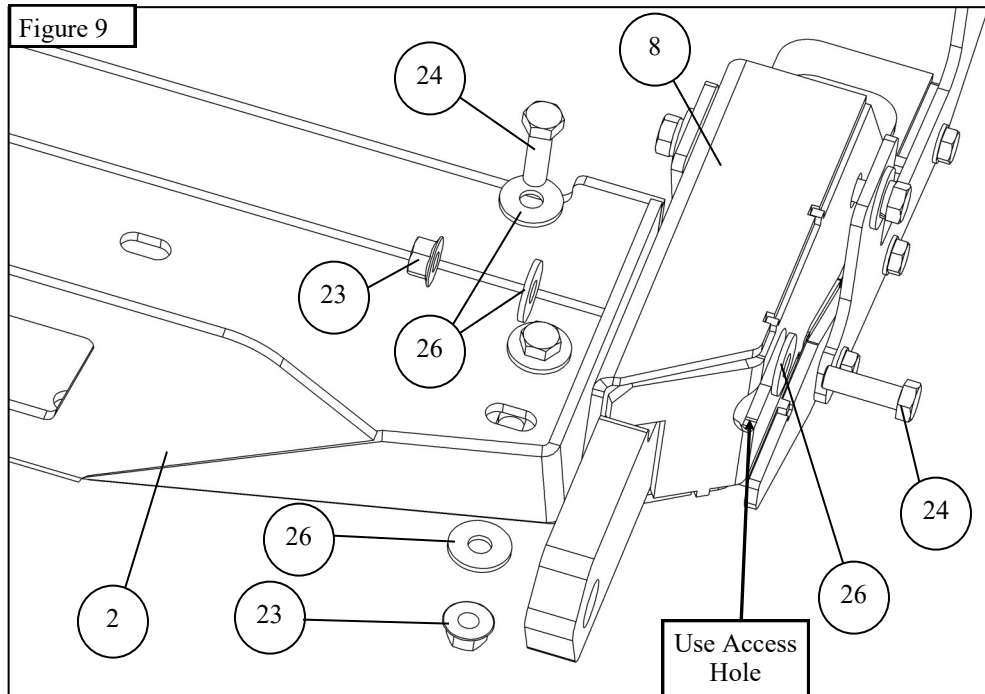
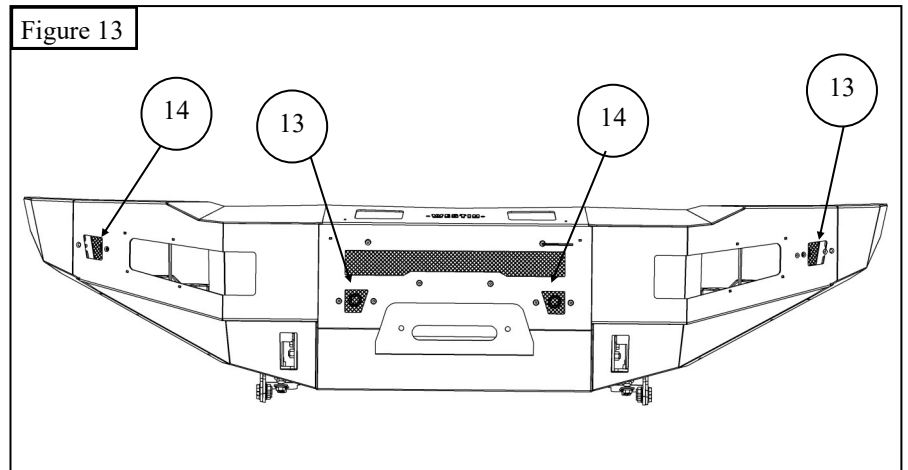
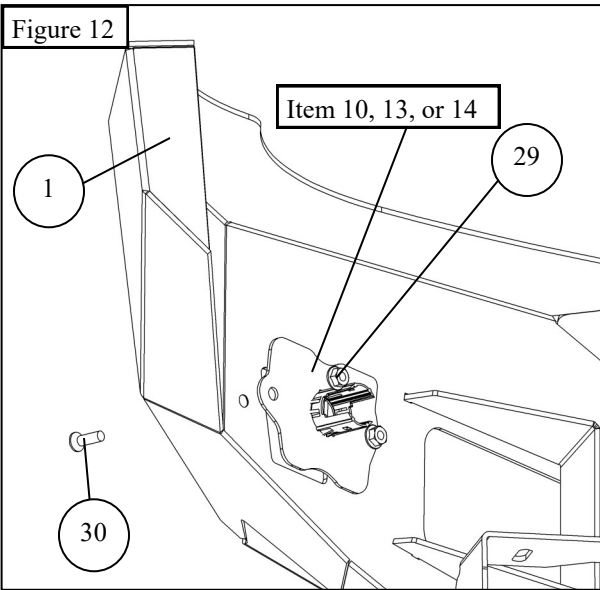
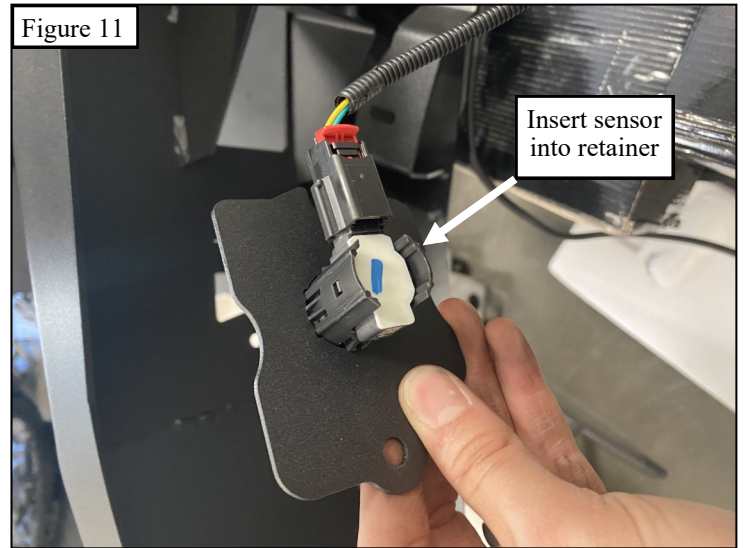
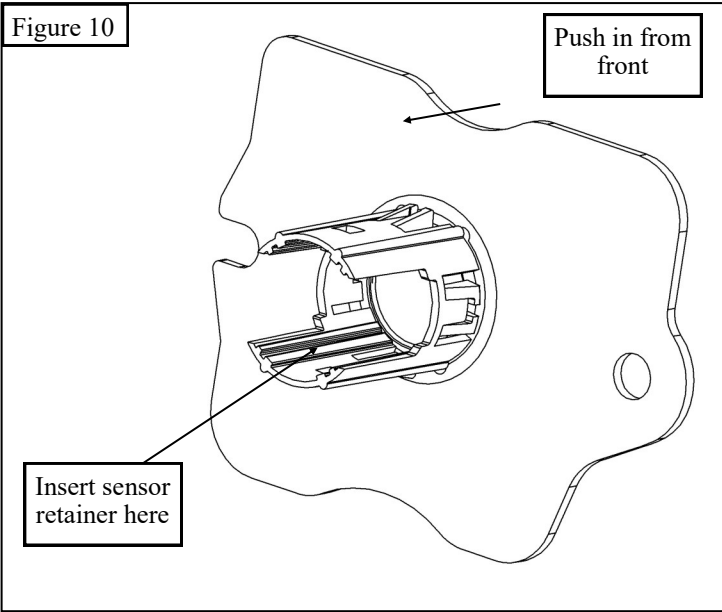


Figure 9

7. If using sensors, install the optional sensor plates where the corner mesh covers are. (M6 hardware)
8. Remove the sensors from the stock bumper. Using the provided wire extension harness, install the supplied sensor retainer into each of the sensor plates **from the front**. **Note: Ensure to install sensors in the same orientation you removed them.** See Figure 10-12
9. **If you are not installing sensors**– Install mesh covers A and B using supplied M6 hardware. See Figure 13



10. If installing a light bar, install using the supplied LED light brackets and supplied M6 hardware, if applicable. Install light per manufacturers recommendation. **See Figure 14**
11. If you are not installing light bar, install the led light mesh cover using supplied M6 hardware. **See Figure 15**
12. If using light pods, install at this time.
13. Install a mesh covers to the bumper using supplied M6 hardware

Figure 14

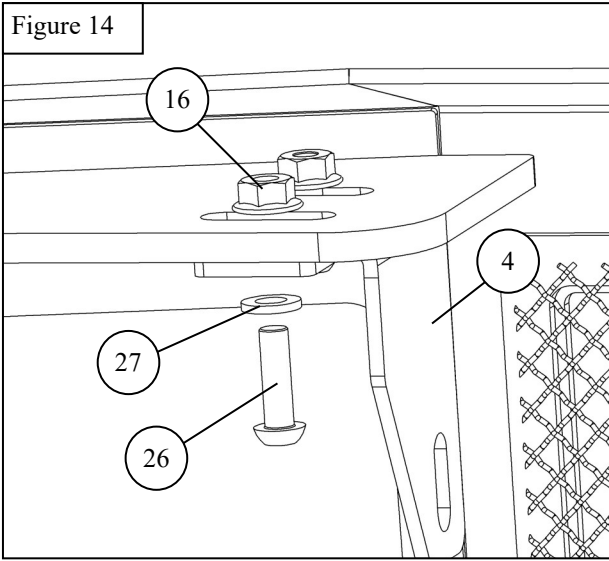
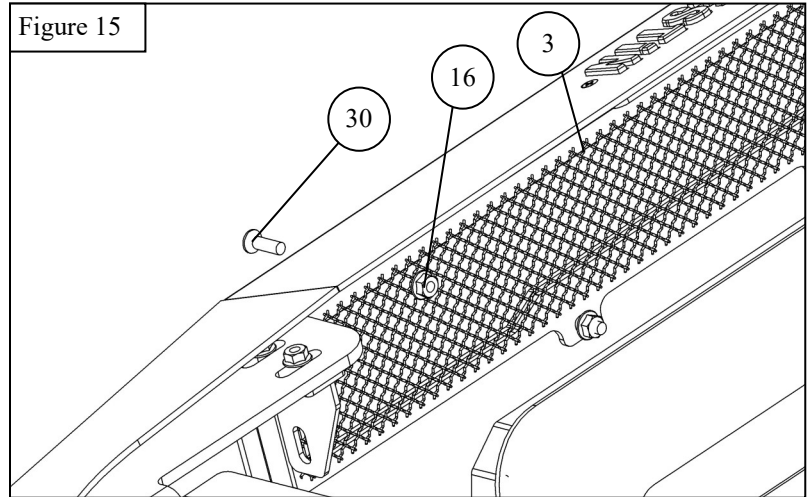
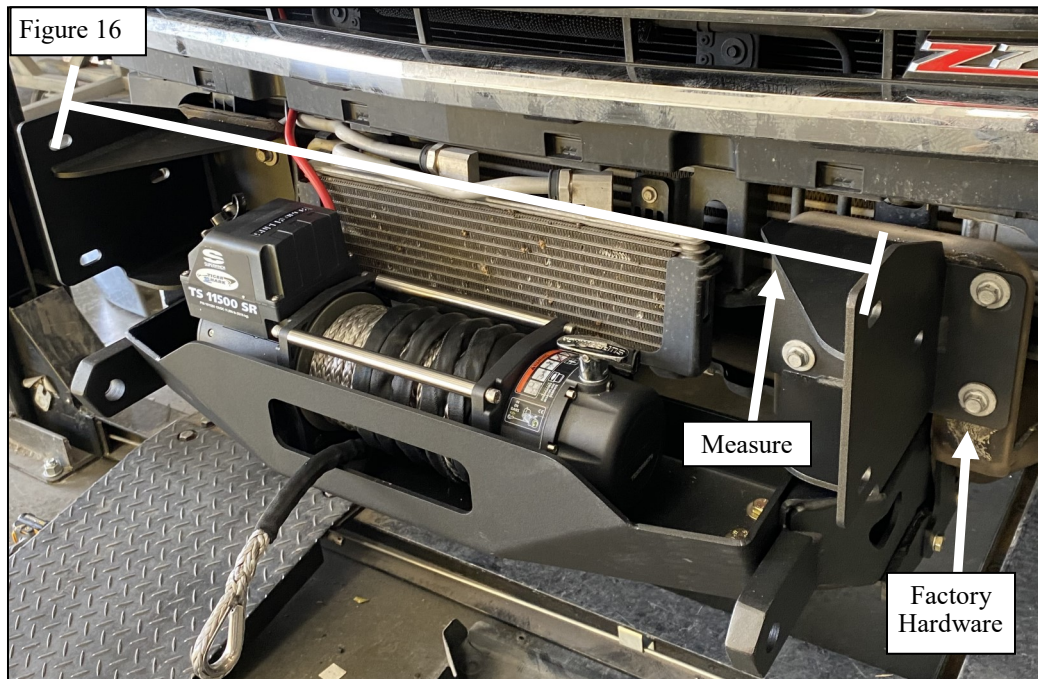


Figure 15

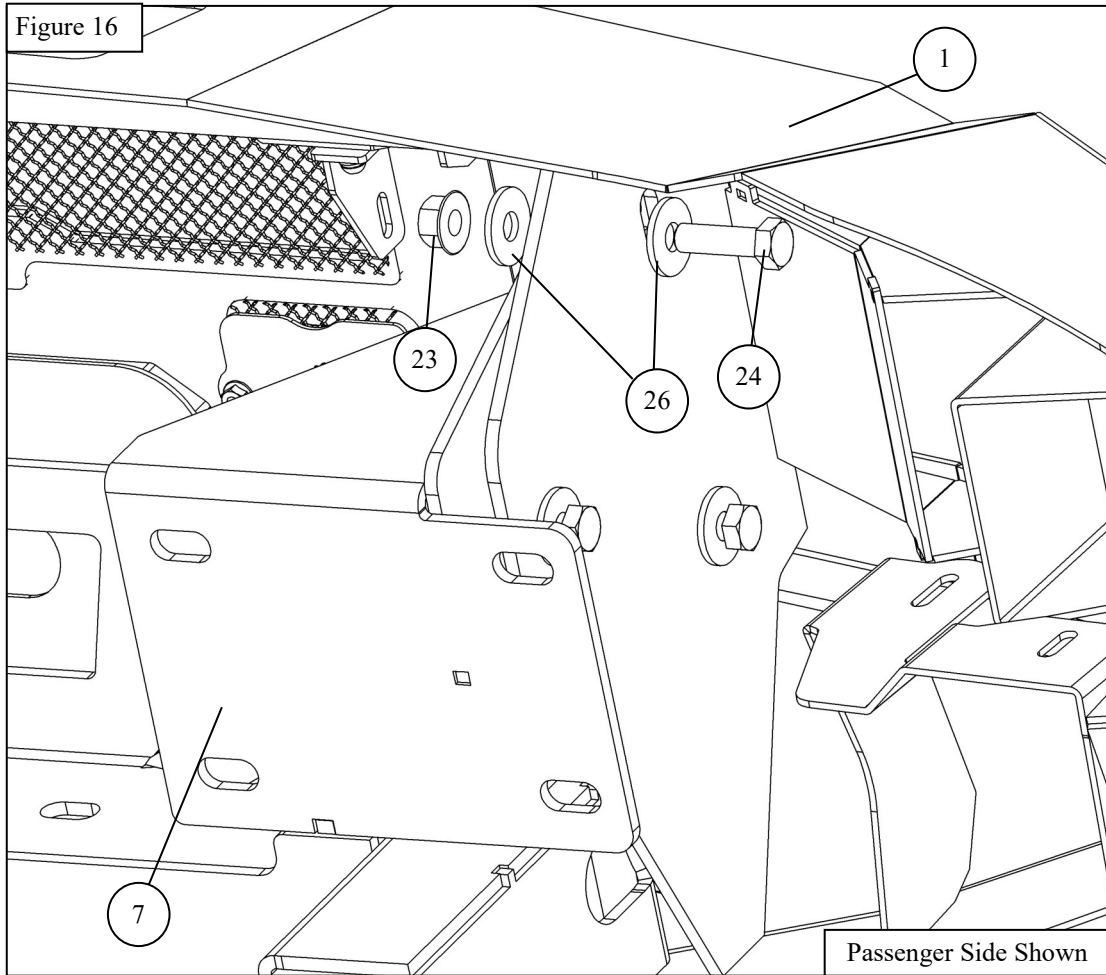


14. Locate the main driver/passenger brackets. Re-using factory hardware, install the brackets on to the vehicle's frame. **Note leave snug enough to adjust for later.**
15. Measure the outer distance of the brackets. Make sure the distance matches the inner distance on the bumper mounting locations. (about 36 inches) **See Figure 16**

Figure 16



16. With help, install the bumper on to the main mounting brackets. Use the supplied M12 hardware. **See Figure 16**
17. Adjust as needed and torque all hardware as specified: M6 to 7 ft. lbs, M8 to 18 ft-lbs, M10 to 35 ft-lbs, M12 to 55-60 ft-lbs.



Westin Automotive Products, Inc.
320 W. Covina Blvd
San Dimas, Ca. 91773

Thank you for choosing Westin products
for additional installation assistance please call
Customer Service (800) 793-7846

www.westinautomotive.com

DATE: 03/15/2021

INSTALLATION COMPLETE



CARE INSTRUCTIONS

- REGULAR WAXING IS RECOMMENDED. DO NOT USE ANY TYPE OF POLISH OR WAX THAT MAY CONTAIN ABRASIVES.
- STAINLESS STEEL PRODUCTS CAN BE CLEANED WITH MILD SOAP AND WATER. STAINLESS STEEL POLISH SHOULD BE USED TO POLISH SMALL SCRATCHES.
- GLOSS BLACK FINISHES SHOULD BE CLEANED WITH MILD SOAP AND WATER.

WESTIN Westin Automotive Products, Inc.
320 W. Covina Blvd
San Dimas, Ca. 91773

Thank you for choosing Westin products
for additional installation assistance please call
Customer Service (800) 793-7846
www.westinautomotive.com



WARNING



Failure to follow these instructions could lead to death, personal injury, and / or property damage.

Failure to follow these instructions could lead to death, personal injury, and / or property damage.

FASTENERS:

All Westin supplied fasteners must be utilized and installed in accordance with the installation instructions and apply torque to the specifications as defined. **DOUBLE CHECK ALL FASTENERS BEFORE INITIAL USE, AND PERIODICALLY IN THE FUTURE TO ENSURE PROPER FUNCTION AND SAFETY.**

DRILLING:

Most Westin products do not require drilling for installation. If drilling is defined as required, use caution when drilling a vehicle. **FAILURE TO REVIEW AN AREA TO BE DRILLED MAY RESULT IN PERSONAL INJURY AND/OR INJURY TO OTHERS AS WELL AS VEHICLE DAMAGE.**

EYE PROTECTION:

ALWAYS WEAR SAFETY GLASSES OR GOGGLES DURING THE INSTALLATION PROCESS TO AVOID PERSONAL INJURY.

MAXIMUM TOWING/CARRYING CAPACITY: (if applicable)

The Westin Receiver Hitches will have a visible tow rating label affixed directly on the product. User should never exceed the vehicle manufacturers maximum tow and weight rating regardless of the capacity of the hitch. **FAILURE TO FOLLOW THESE GUIDELINES WILL VOID THE WESTIN WARRANTY AND MAY RESULT IN PERSONAL INJURY AND/OR INJURY TO OTHERS AS WELL AS VEHICLE DAMAGE.**

FOR CALIFORNIA RESIDENTS ONLY-PROP 65 WARNING:

Some products may contain chemicals such as DEHP, which can cause cancer, birth defects or other reproductive harm. For more info go to www.p65warnings.ca.gov



Westin Automotive Products, Inc.
320 W. Covina Blvd
San Dimas, Ca. 91773