

INSTALLATION INSTRUCTIONS

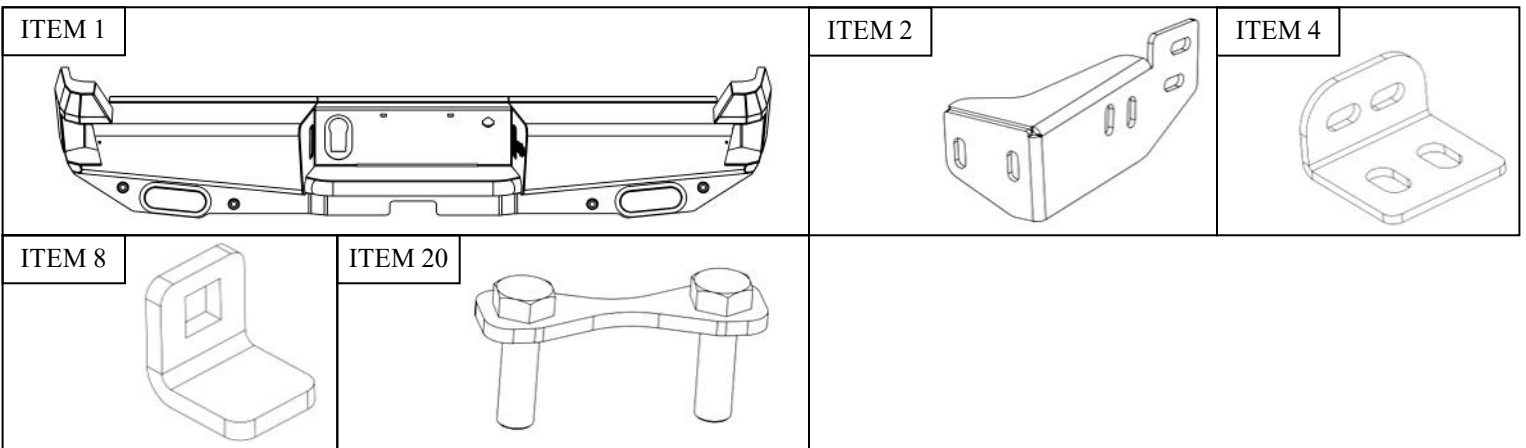
HDX BANDIT REAR BUMPER



APPLICATION:
2023 Ford F-250/350
PART NUMBER:
58-341205

CONTENT			
ITEM	QUANTITY	DESCRIPTION	TOOLS NEEDED
1	1	REAR BANDIT BUMPER	19MM SOCKET
2	1	DRIVER MOUNT BRACKET	19MM WRENCH
3	1	PASSENGER MOUNT BRACKET	10MM SOCKET
4	2	SUPPORT BRACKET	10MM WRENCH
5	4	SENSOR PLUGS	18MM WRENCH
6	2	LICENSE PLATE LIGHT	ZIP TIES
7	2	BACK UP LIGHT	RATCHET
8	4	SENSOR L-TAB	TORQUE WRENCH
9	12	M12 SPLIT LOCK WASHER	
10	8	M12 FLANGE BOLT	
11	20	M12 FLAT WASHER	
12	12	M12 HEX NUT	
13	2	M6 BUTTON HEAD BOLT	
14	6	M6 FLAT WASHER	
15	2	M6 SERRATED FLANGE NUT	
16	4	M6 CARRIAGE BOLT	
17	4	M6 SPLIT LOCK WASHER	
18	4	M6 HEX NUT	
19	6	T-TAP CONNECTORS	
20	2	M12 DOUBLE BOLT PLATE	

ANTI-SEIZE LUBRICANT MUST BE USED ON ALL STAINLESS STEEL FASTENERS TO PREVENT THREAD DAMAGE AND GALLING

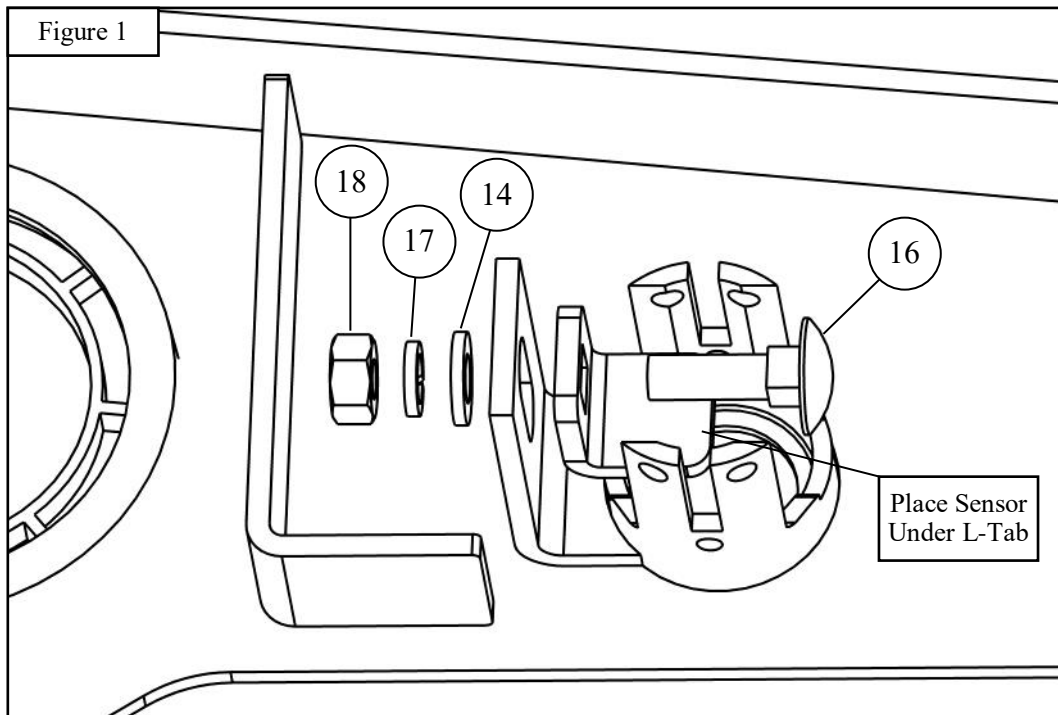


PROCEDURE

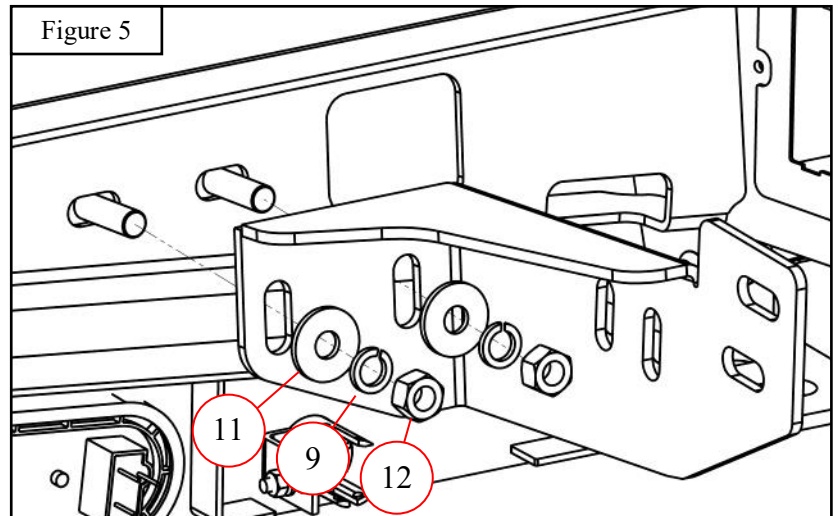
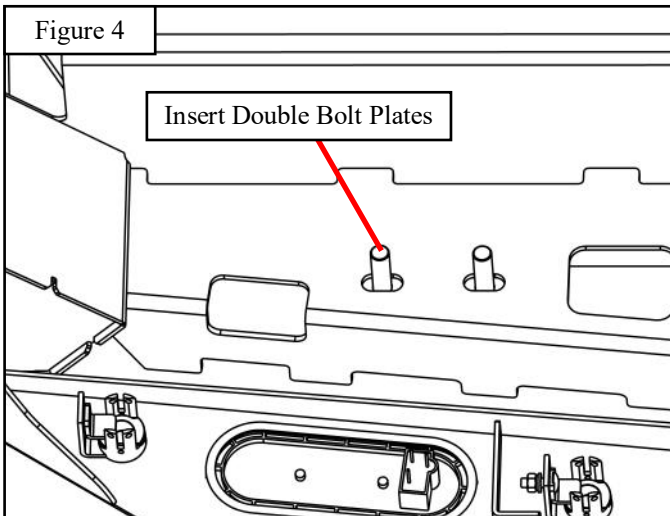
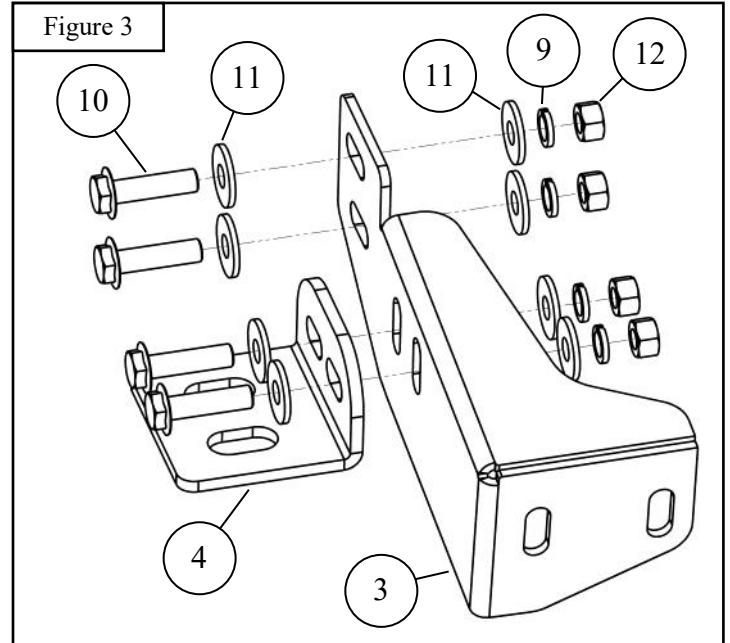
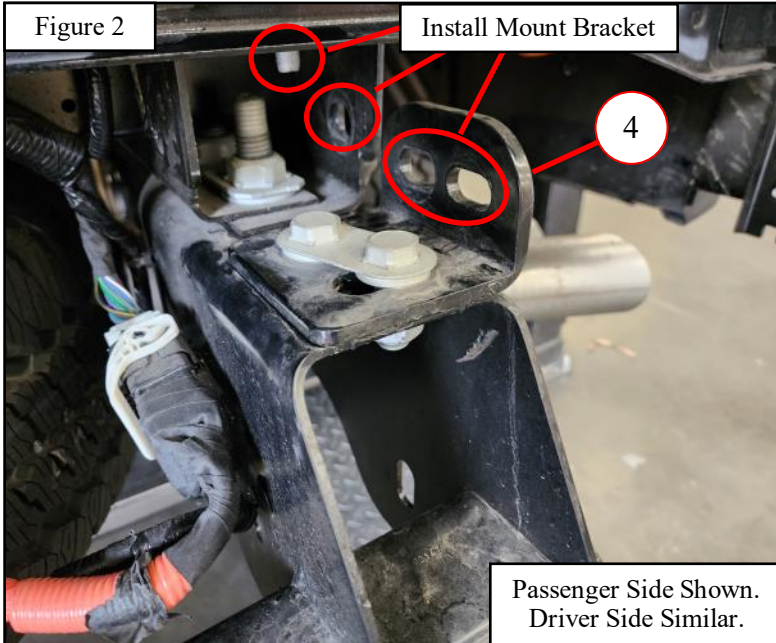
1. Remove contents from box, verify if all parts listed are present and free from damage.
Carefully read and understand all instructions before attempting installation.
Failure to identify damage before installation could lead to a rejection of any claim.
2. Disconnect all electrical connections to the rear bumper.
3. Remove the OEM rear bumper.

If rear parking sensors are equipped, follow Steps 4-7. If rear parking sensors are not equipped, skip to Step 8 and insert the plugs into the sensor holes.

4. Remove the parking sensors and wiring harness from the OEM rear bumper.
5. Install parking sensors by inserting them into the holes on bumper and securing them with sensor L-tabs (**item 8**). Fasten L-tabs with the supplied M6 hardware (**items 14, 16, 17, and 18**). See **Figure 1**. Place supplied double sided tape between the sensors and L-Tabs. **Note:** Be sure to maintain the orientation of the sensor so that it remains consistent with its original orientation.
6. Use zip ties to secure sensor in place.
7. Tighten M6 hardware to 5-7 ft-lbs.



8. Loosely install the support brackets (**item 4**) using OEM double bolt plates and hex nuts removed in step 3. See **Figure 2**.
9. Loosely install the mount brackets (**items 2 and 3**) using the M12 hardware (**items 9-12**). See **Figures 2 and 3**.
10. Insert the M12 double bolt plates (**item 20**) into the rear bandit bumper (**item 1**). See **Figure 4**.
11. Loosely install the rear bandit bumper onto the mount brackets using the M12 hardware (**items 9, 11, and 12**). See **Figure 5**.



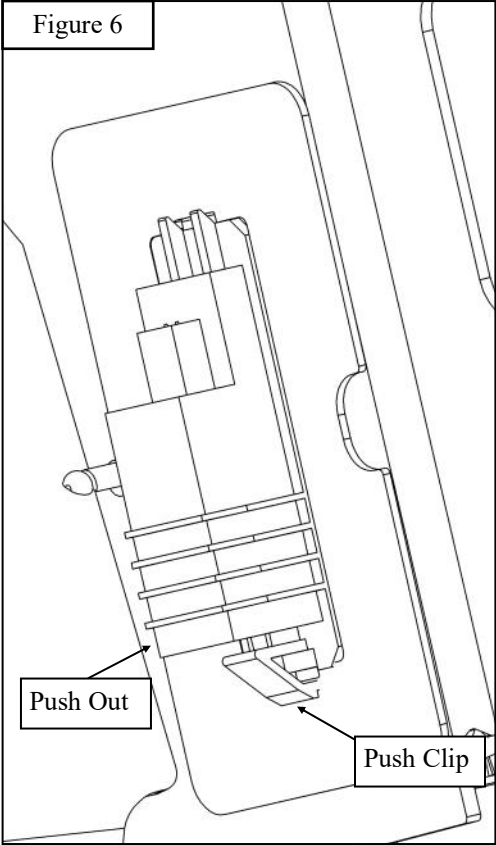
WARNING:

After you have mounted the bumper on the mount brackets, **CAREFULLY** open the tailgate. While the tailgate is open, adjust the height of the bumper so that there is sufficient clearance between the bumper and the tailgate.

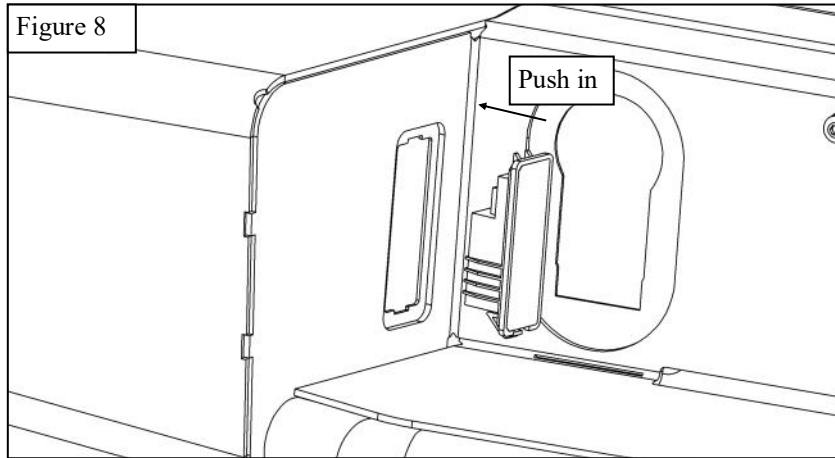
12. Adjust the brackets and bumper. Tighten the M12 hardware to 50-55 ft-lbs.

LIGHT INSTALLATION

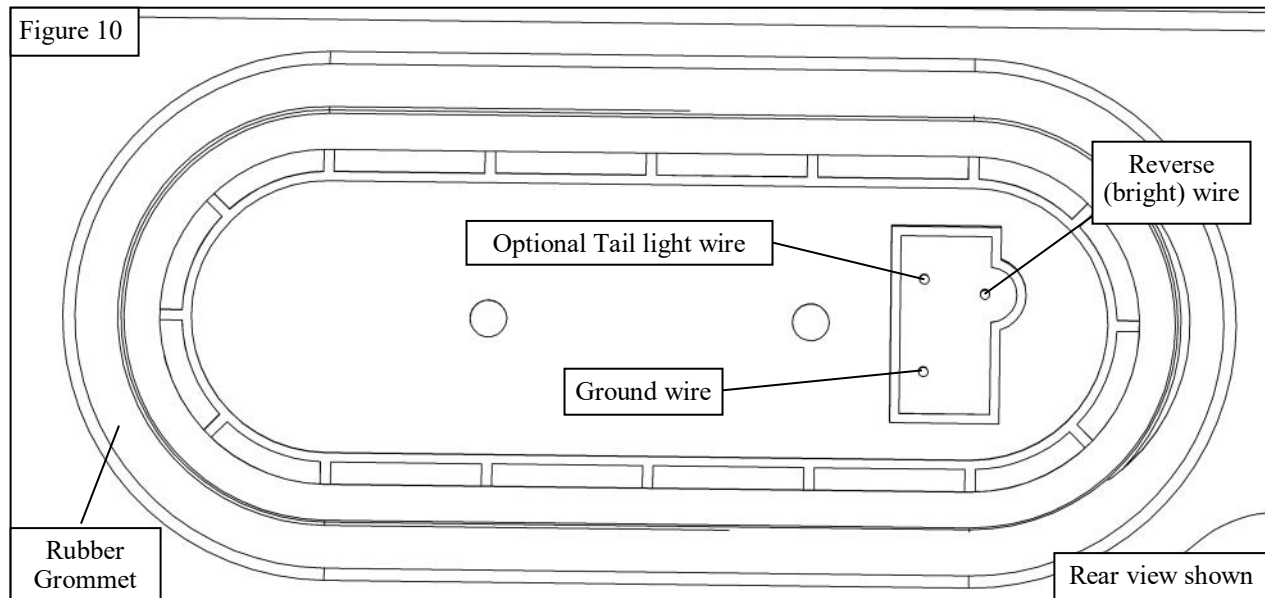
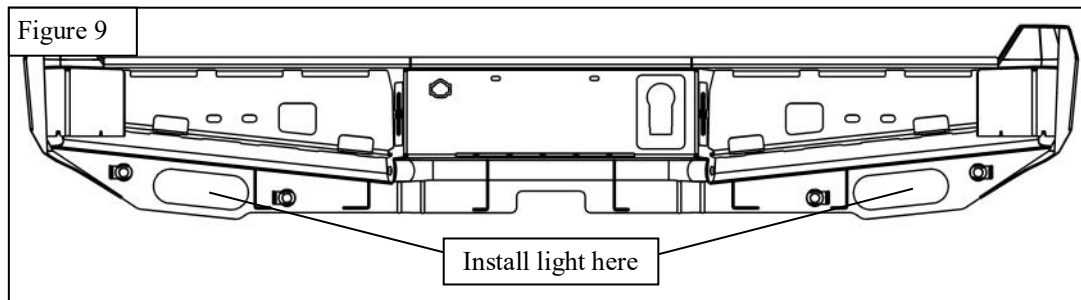
1. Disconnect the battery from your vehicle.
2. Locate the license plate lights (pre-installed) in the bumper. Pop out the lights by squeezing the clips in on the backside. See **Figure 6**.
3. Locate the factory wiring for the license plate lights. Strip back the wiring on the factory harness and supplied light. Using connectors, crimp the red wire on the positive factory wire and the black wire to the factory ground wire. See **Figure 7**.



4. Push the light back in until it clips into place. Repeat on the opposite side. See **Figure 8**.



5. Remove the light from the rubber grommet. Install the rubber grommet into the back up light location on the bumper. Then, reinstall the light into the rubber grommet. See **Figure 9-10**.
6. Looking at the backside of the lower reverse lights, there are three wires: a ground wire, optional (off road only) tail light wire, and a reverse light (bright) wire. Using the figure below, connect the reverse light wire to the factory reverse light harness, and ground wire to a factory ground wire. If using the optional tail light wire, connect the Tail light wire to a switch. See **Figure 10**.
7. Reconnect your battery.



INSTALLATION COMPLETED



CARE INSTRUCTIONS

- REGULAR WAXING IS RECOMMENDED. DO NOT USE ANY TYPE OF POLISH OR WAX THAT MAY CONTAIN ABRASIVES.
- STAINLESS STEEL PRODUCTS CAN BE CLEANED WITH MILD SOAP AND WATER. STAINLESS STEEL POLISH SHOULD BE USED TO POLISH SMALL SCRATCHES.
- GLOSS BLACK FINISHES SHOULD BE CLEANED WITH MILD SOAP AND WATER.

WESTIN Westin Automotive Products, Inc.
320 W. Covina Blvd
San Dimas, Ca. 91773

Thank you for choosing Westin products
for additional installation assistance please call
Customer Service (800) 793-7846
www.westinautomotive.com



WARNING



Failure to follow these instructions could lead to death, personal injury, and / or property damage.

Failure to follow these instructions could lead to death, personal injury, and / or property damage.

FASTENERS:

All Westin supplied fasteners must be utilized and installed in accordance with the installation instructions and apply torque to the specifications as defined. **DOUBLE CHECK ALL FASTENERS BEFORE INITIAL USE, AND PERIODICALLY IN THE FUTURE TO ENSURE PROPER FUNCTION AND SAFETY.**

DRILLING:

Most Westin products do not require drilling for installation. If drilling is defined as required, use caution when drilling a vehicle. **FAILURE TO REVIEW AN AREA TO BE DRILLED MAY RESULT IN PERSONAL INJURY AND/OR INJURY TO OTHERS AS WELL AS VEHICLE DAMAGE.**

EYE PROTECTION:

ALWAYS WEAR SAFETY GLASSES OR GOGGLES DURING THE INSTALLATION PROCESS TO AVOID PERSONAL INJURY.

MAXIMUM TOWING/CARRYING CAPACITY: (if applicable)

The Westin Receiver Hitches will have a visible tow rating label affixed directly on the product. User should never exceed the vehicle manufacturers maximum tow and weight rating regardless of the capacity of the hitch. **FAILURE TO FOLLOW THESE GUIDELINES WILL VOID THE WESTIN WARRANTY AND MAY RESULT IN PERSONAL INJURY AND/OR INJURY TO OTHERS AS WELL AS VEHICLE DAMAGE.**

FOR CALIFORNIA RESIDENTS ONLY-PROP 65 WARNING:

Some products may contain chemicals such as DEHP, which can cause cancer, birth defects or other reproductive harm. For more info go to www.p65warnings.ca.gov



Westin Automotive Products, Inc.
320 W. Covina Blvd
San Dimas, Ca. 91773