

INSTALLATION INSTRUCTIONS



HDX BANDIT REAR BUMPER

APPLICATION:

Chevrolet/GMC Silverado/ Sierra 1500 2019-2025 (Excl. 2019 Silverado LD/Limited); Silverado/Sierra 2500/3500 2020-2025

PART NUMBER:

58-341185

CONTENT			
ITEM	QUANTITY	DESCRIPTION	TOOLS NEEDED
1	1	REAR BUMPER	10MM SOCKET
2	1	DRIVER FRAME BRACKET	10MM WRENCH
3	1	PASSENGER FRAME BRACKET	19MM SOCKET
4	1	MAIN DRIVER BRACKET	19MM WRENCH
5	1	MAIN PASSENGER BRACKET	RATCHET
6	1	BLIND SPOT MONITOR BRACE	TORQUE WRENCH
7	4	SENSOR PLUG	ALLEN
8	1	DRIVER BLIND SPOT MONITOR BRACKET	13MM SOCKET
9	1	PASSENGER BLIND SPOT MONITOR BRACKET	13MM WRENCH
10	4	SENSOR L-TAB	
11	12	M12 SPLIT LOCK WASHER	
12	16	M12 FLAT WASHER	
13	4	M12 HEX HEAD BOLT	
14	12	M12 HEX NUT	
15	2	M6 BUTTON HEAD BOLT	
16	14	M6 FLAT WASHER	
17	2	M6 SERRATED FLANGE NUT	
18	12	M6 CARRIAGE BOLT	
19	12	M6 SPLIT LOCK WASHER	
20	12	M6 HEX NUT	
21	2	M5 BUTTON HEAD BOLT	
22	4	M5 FLAT WASHER	
23	2	M5 NYLON HEX NUT	
24	4	M12 DOUBLE BOLT PLATE	

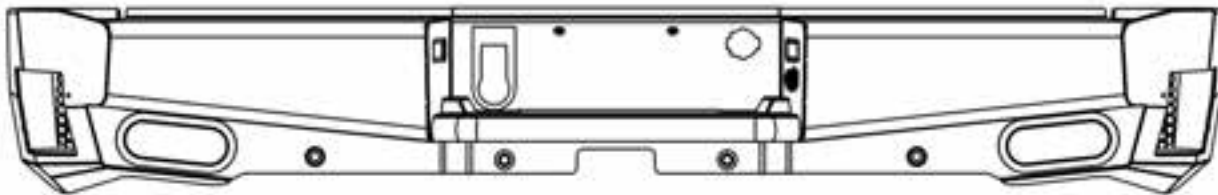
ANTI-SEIZE LUBRICANT MUST BE USED ON ALL STAINLESS STEEL FASTENERS TO PREVENT THREAD DAMAGE AND GALLING



Westin Automotive Products, Inc.
320 W. Covina Blvd
San Dimas, Ca. 91773

Thank you for choosing Westin products
for additional installation assistance please call
Customer Service (800) 793-7846
www.westinautomotive.com

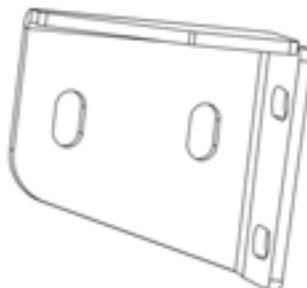
ITEM 1



ITEM 2



ITEM 4



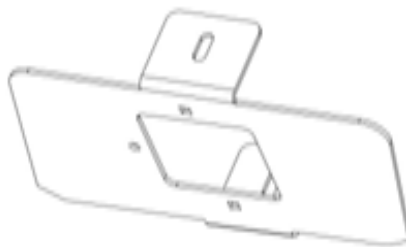
ITEM 6



ITEM 7



ITEM 8



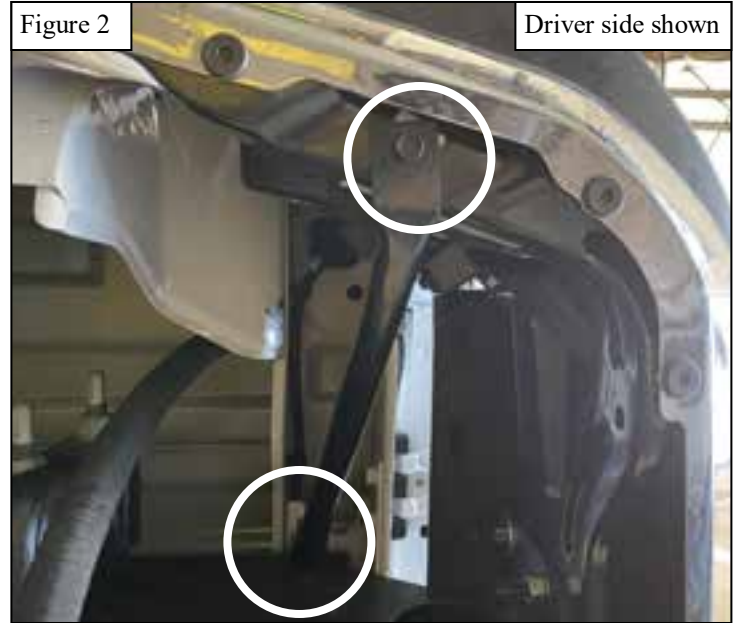
ITEM 10



PROCEDURE

1. Remove contents from box, verify if all parts listed are present and free from damage.
Carefully read and understand all instructions before attempting installation.
Failure to identify damage before installation could lead to a rejection of any claim.

2. Remove all electrical connections from the rear bumper.
3. Remove the two nuts and two bolts on each side of the rear bumper. See **Figure 1-2**
4. Remove support tubes on both sides of the bumper.
5. Remove the rear bumper.



6. Install parking sensors by inserting into the holes on bumper and pressing with Sensor L-Tabs (item 10) against bumper plate. Fasten L-tabs with the supplied M6 hardware (items 16, 18-20). See **Figure 3**.
Note: Be sure to maintain the orientation of the sensor so that it remains consistent with its original orientation.
7. Tighten M6 hardware to 5-7 ft-lbs. *Note: if sensors are not equipped, install the supplied sensor plugs into the holes.*

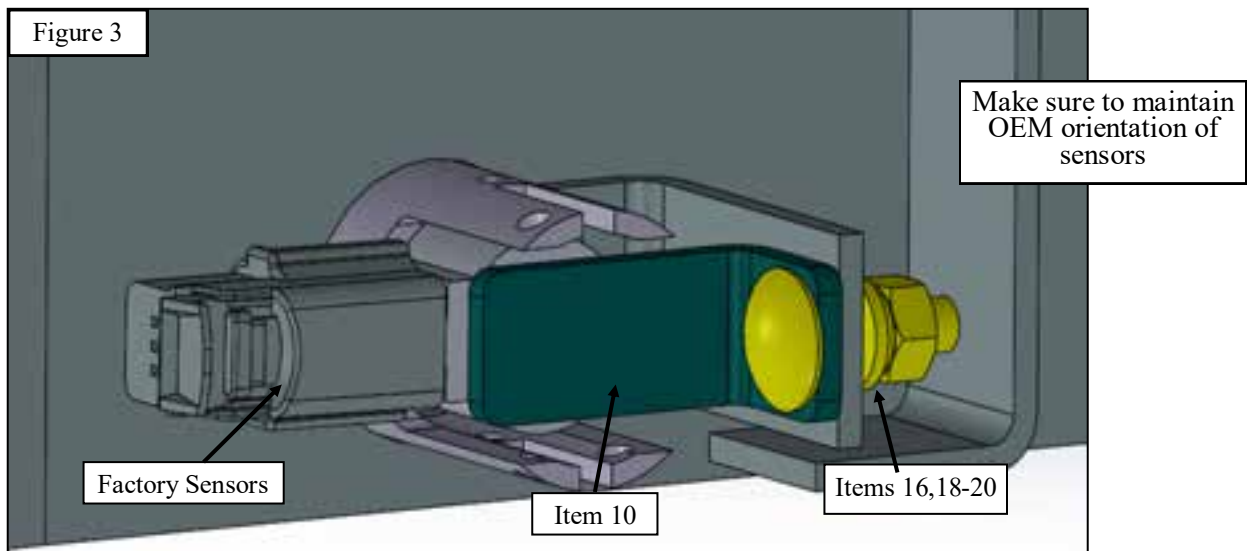
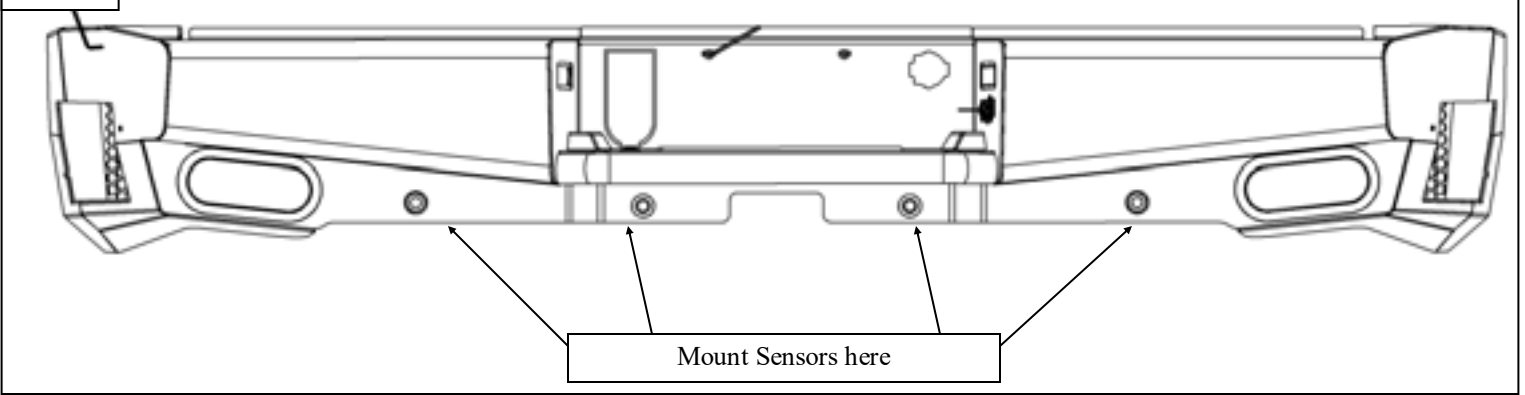


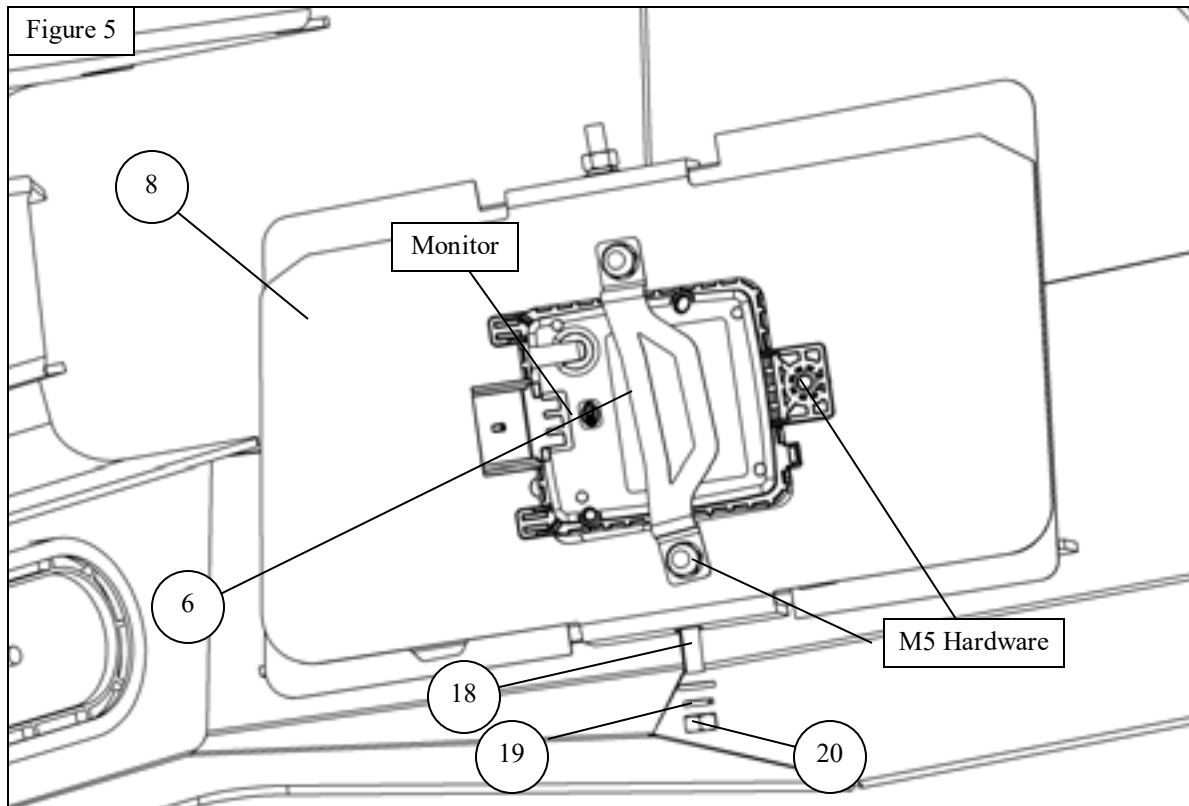
Figure 4



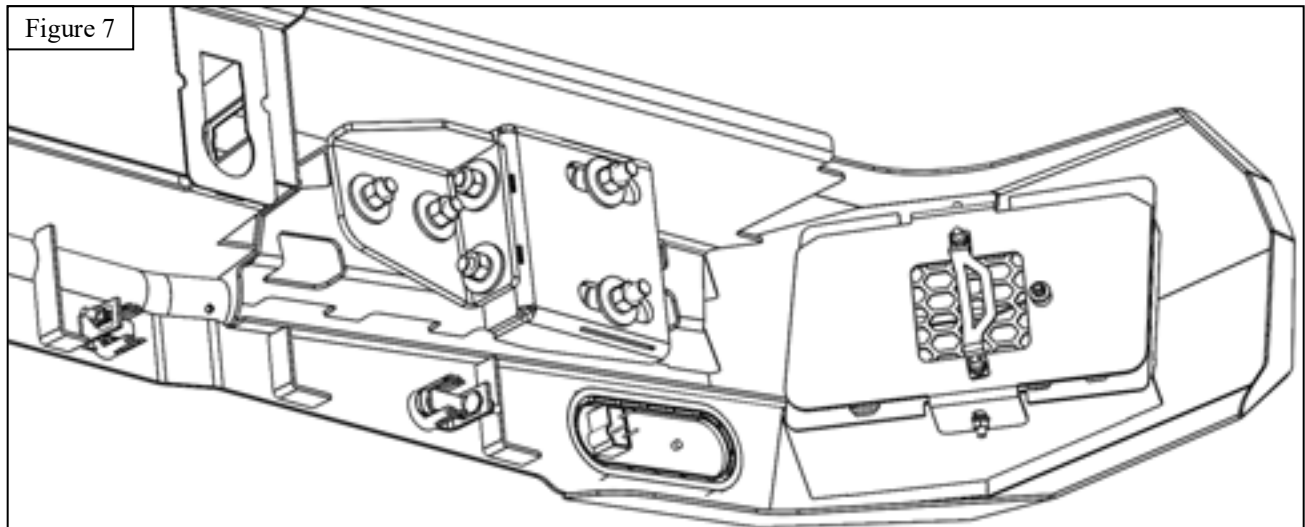
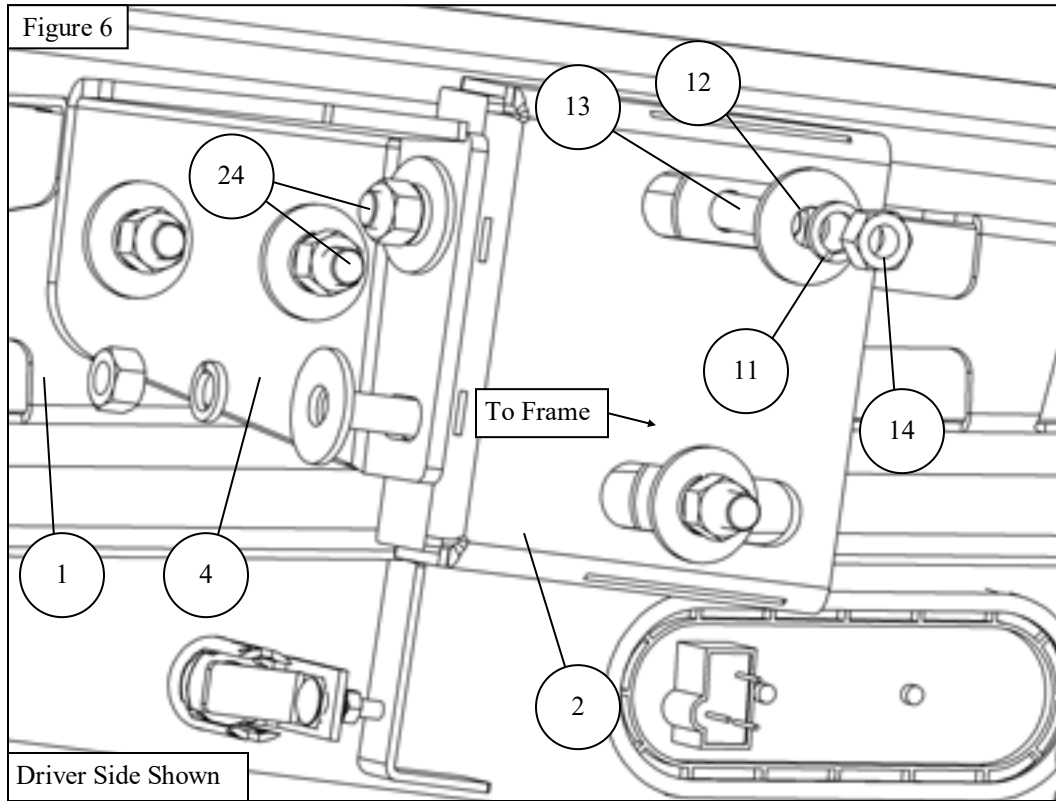
8. **If blind spot monitor is equipped**– Remove the blind spot monitor from the OE bumper. Remove the cover on the bumper and install the monitor. See **Figure 5**.

If blind spot monitor is not equipped- Leave cover attached on bumper and proceed to the next step.

Figure 5



9. Using the supplied M12 hardware, loosely install bumper brackets onto the bumper. Then loosely assemble the bumper to the frame brackets. See Figures 6-7.



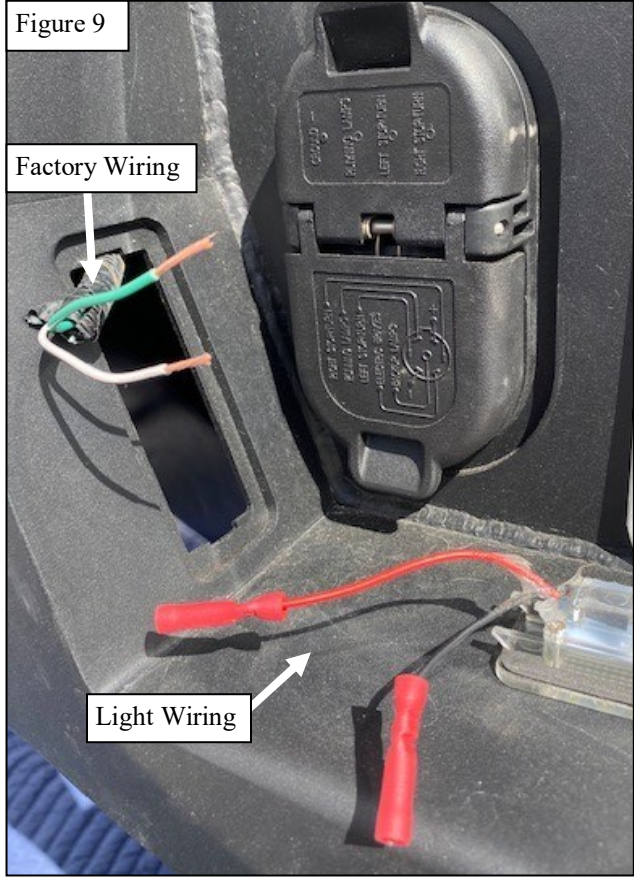
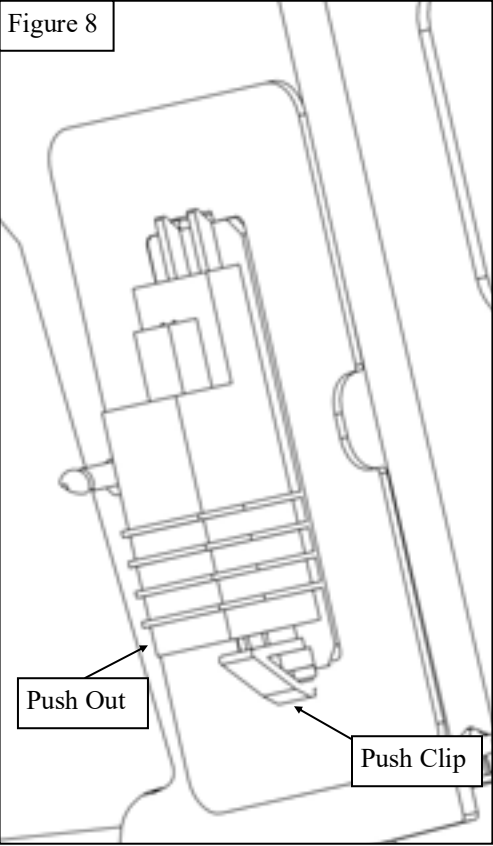
10. Install the Trailer plug and license plate.

WARNING .

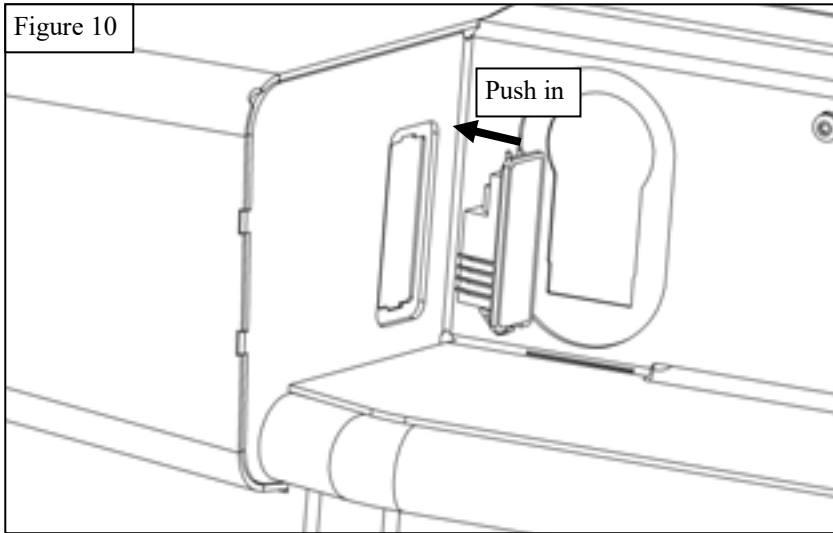
After you have mounted bumper on main brackets. CAREFULLY open tailgate. While tailgate is open, adjust the height of the bumper so that it has about 3/8" of clearance with respect to the tailgate. Torque M12 to 50-55 ft-lbs.

LIGHT INSTALLATION

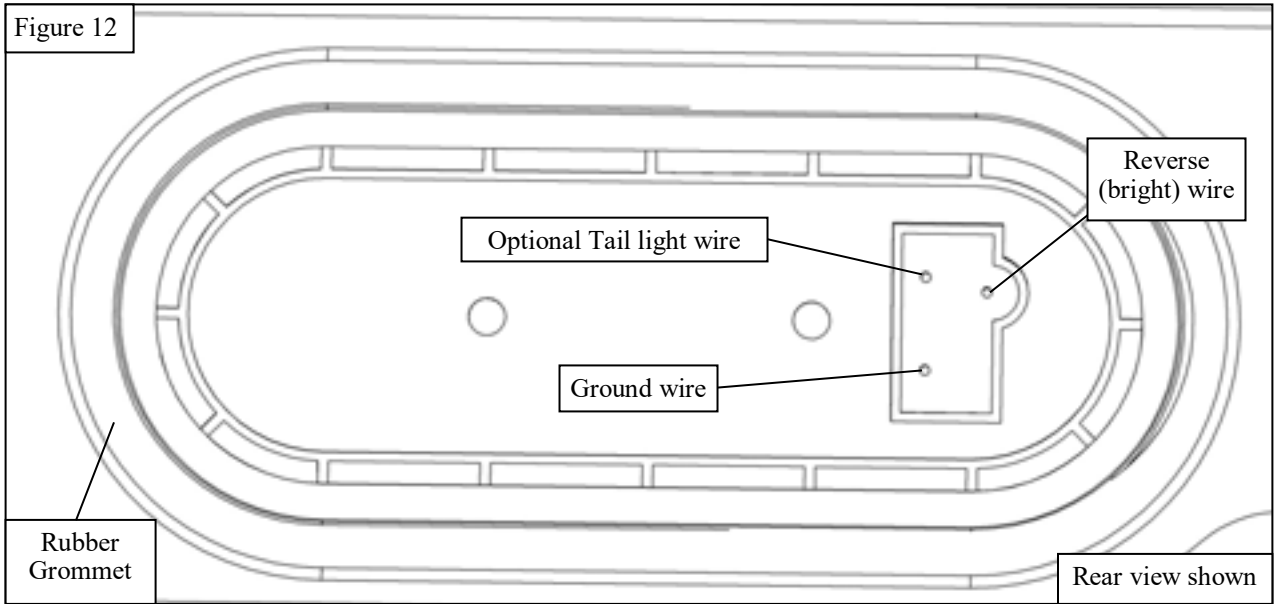
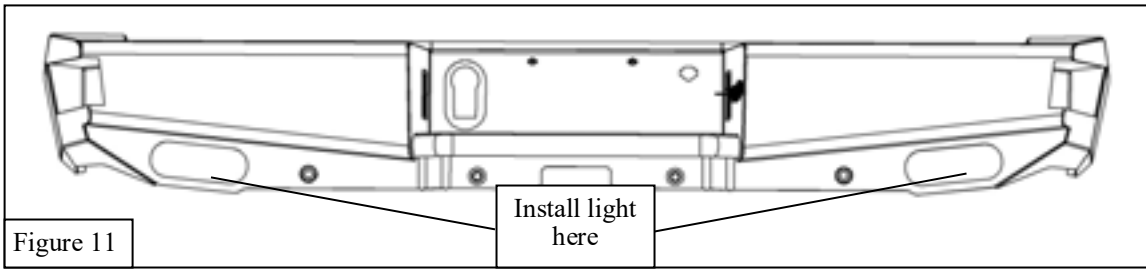
1. Disconnect the battery from your vehicle.
2. Locate the license plate lights (pre-installed) in the bumper. Pop out the lights by squeezing the clips in on the backside. **See Figure 8**
3. Locate the factory wiring for the license plate lights. Strip back the wiring on the factory harness and supplied light. Using connectors, crimp the red wire on the positive factory wire and the black wire to the factory ground wire. **See Figure 9.**



4. Push the light back in until it clips into place. Repeat on the opposite side. See **Figure 10**.



5. Remove the light from the rubber grommet. Install the rubber grommet into the back up light location on the bumper. Then, reinstall the light into the rubber grommet. See **Figures 11-12**.
6. Looking at the backside of the lower reverse lights, there are three wires: a ground wire, optional (off road only) tail light wire, and a reverse light (bright) wire. Using the figure below, connect the reverse light wire to the factory reverse light harness, and ground wire to a factory ground wire. If using the optional tail light wire, connect the Tail light wire to a switch. See **Figure 12**
7. Reconnect your battery.



INSTALLATION COMPLETE



CARE INSTRUCTIONS

- REGULAR WAXING IS RECOMMENDED. DO NOT USE ANY TYPE OF POLISH OR WAX THAT MAY CONTAIN ABRASIVES.
- STAINLESS STEEL PRODUCTS CAN BE CLEANED WITH MILD SOAP AND WATER. STAINLESS STEEL POLISH SHOULD BE USED TO POLISH SMALL SCRATCHES.
- GLOSS BLACK FINISHES SHOULD BE CLEANED WITH MILD SOAP AND WATER.

WESTIN Westin Automotive Products, Inc.
320 W. Covina Blvd
San Dimas, Ca. 91773

P.N.: 75-58341185-RevD

ECO #: W25-0002

8

Thank you for choosing Westin products
for additional installation assistance please call
Customer Service (800) 793-7846
www.westinautomotive.com

DATE: 2/10/2025



WARNING



Failure to follow these instructions could lead to death, personal injury, and / or property damage.

Failure to follow these instructions could lead to death, personal injury, and / or property damage.

FASTENERS:

All Westin supplied fasteners must be utilized and installed in accordance with the installation instructions and apply torque to the specifications as defined. **DOUBLE CHECK ALL FASTENERS BEFORE INITIAL USE, AND PERIODICALLY IN THE FUTURE TO ENSURE PROPER FUNCTION AND SAFETY.**

DRILLING:

Most Westin products do not require drilling for installation. If drilling is defined as required, use caution when drilling a vehicle. **FAILURE TO REVIEW AN AREA TO BE DRILLED MAY RESULT IN PERSONAL INJURY AND/OR INJURY TO OTHERS AS WELL AS VEHICLE DAMAGE.**

EYE PROTECTION:

ALWAYS WEAR SAFETY GLASSES OR GOGGLES DURING THE INSTALLATION PROCESS TO AVOID PERSONAL INJURY.

MAXIMUM TOWING/CARRYING CAPACITY: (if applicable)

The Westin Receiver Hitches will have a visible tow rating label affixed directly on the product. User should never exceed the vehicle manufacturers maximum tow and weight rating regardless of the capacity of the hitch. **FAILURE TO FOLLOW THESE GUIDELINES WILL VOID THE WESTIN WARRANTY AND MAY RESULT IN PERSONAL INJURY AND/OR INJURY TO OTHERS AS WELL AS VEHICLE DAMAGE.**

FOR CALIFORNIA RESIDENTS ONLY-PROP 65 WARNING:

Some products may contain chemicals such as DEHP, which can cause cancer, birth defects or other reproductive harm. For more info go to www.p65warnings.ca.gov



Westin Automotive Products, Inc.
320 W. Covina Blvd
San Dimas, Ca. 91773