

INSTALLATION INSTRUCTIONS

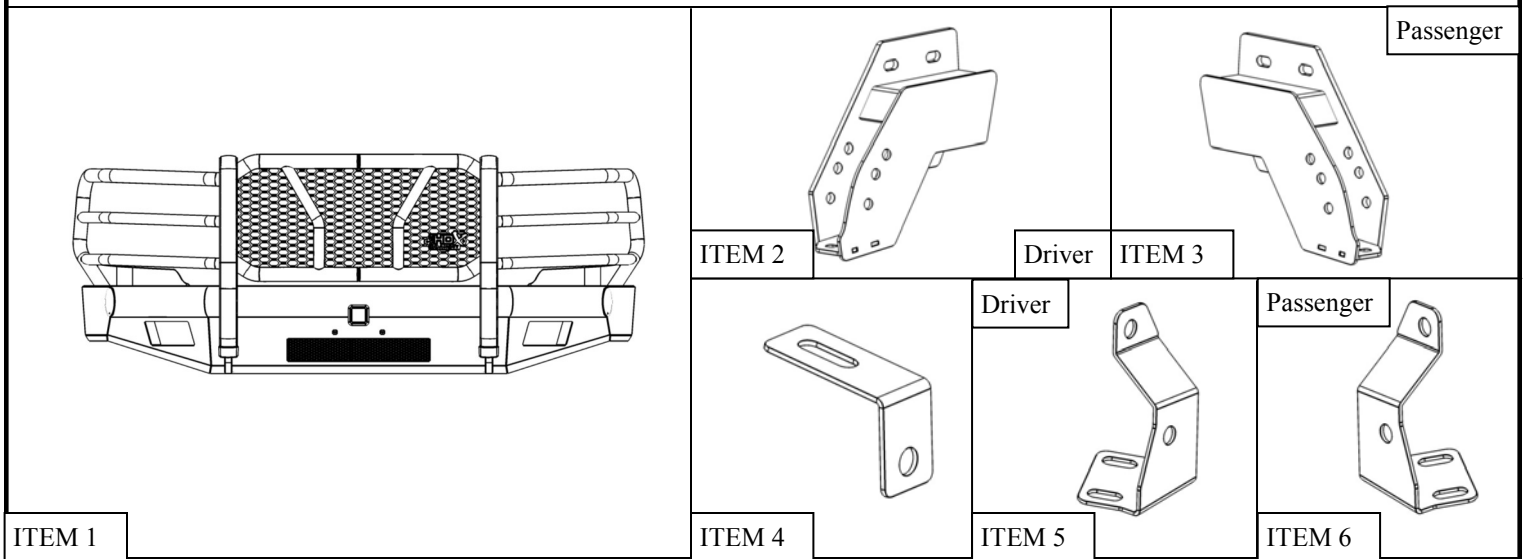
HDX BANDIT BUMPER



APPLICATION:
2011-2014 Chevrolet Silverado 2500/3500
PART NUMBER:
58-31145

CONTENT			
ITEM	QUANTITY	DESCRIPTION	TOOLS NEEDED
1	1	BUMPER ASSEMBLY	18MM SOCKET
2,3	2	MOUNT BRACKET (2-DRIVER, 3-PASSENGER)	18MM WRENCH
4	2	FOG LAMP MOUNT TAB	19MM SOCKET
5,6	2	FOG LAMP BRACKET (5-DRIVER, 6-PASSENGER)	19MM WRENCH
7	2	M12 STUD PLATE	10MM SOCKET
8	14	M12 SERRATED FLANGE NUT	10MM WRENCH
9	6	LONG M12 HEX HEAD CAP SCREW	15MM SOCKET
10	6	SHORT M12 HEX HEAD CAP SCREW	RATCHET
11	12	M12 FLAT WASHER	TORQUE WRENCH
12	6	M8 CARRIAGE BOLT	PLIERS
13	6	M8 SERRATED FLANGE NUT	UTILITY KNIFE
14	6	M10 FLAT WASHER	
15	2	LICENSE PLATE GROMMET	

ANTI-SEIZE LUBRICANT MUST BE USED ON ALL STAINLESS STEEL FASTENERS TO PREVENT THREAD DAMAGE AND GALLING



PROCEDURE

1. Remove contents from box, verify if all parts listed are present and free from damage.

Carefully read and understand all instructions before attempting installation.

Failure to identify damage before installation could lead to a rejection of any claim.

2. Begin by opening the hood of the vehicle and removing the radiator cover. *Note: There are 4 bolts holding the top of the grille to the radiator support that must be removed. See Figure 1.*
3. Use a set of pliers to release the clips securing the grille to the vehicle. See **Figure 2.** Remove the grille.

Pull up all fasteners and remove plastic radiator cover.



Fig 1



Fig 2

4. Remove the bolts securing the inner fender to the bumper. See **Figure 3.**
5. Remove the side support bolts shown in **Figure 4.** *Note: The bolts have thread locker and will be difficult to remove.*



Fig 3

Passenger Side Shown



Fig 4

Passenger Side Shown

WESTIN

Westin Automotive Products, Inc.
320 W. Covina Blvd
San Dimas, Ca. 91773

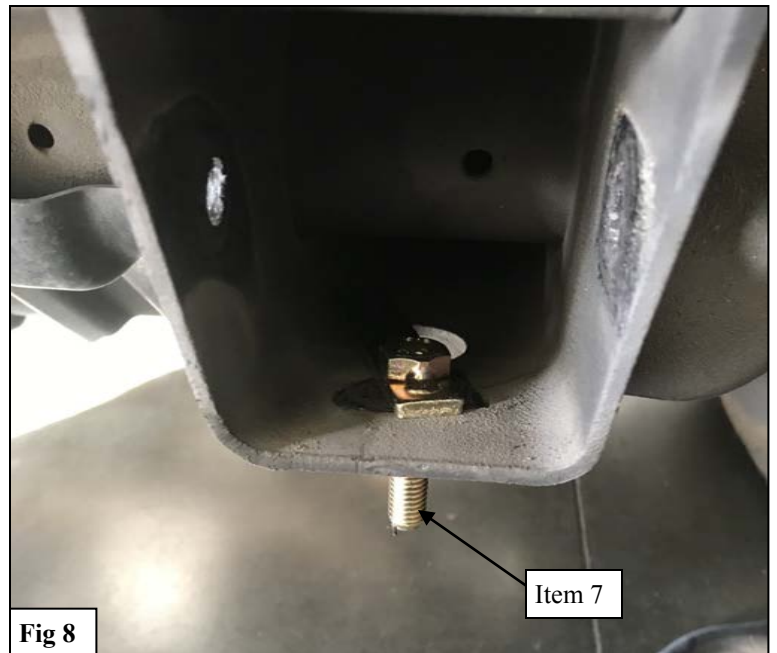
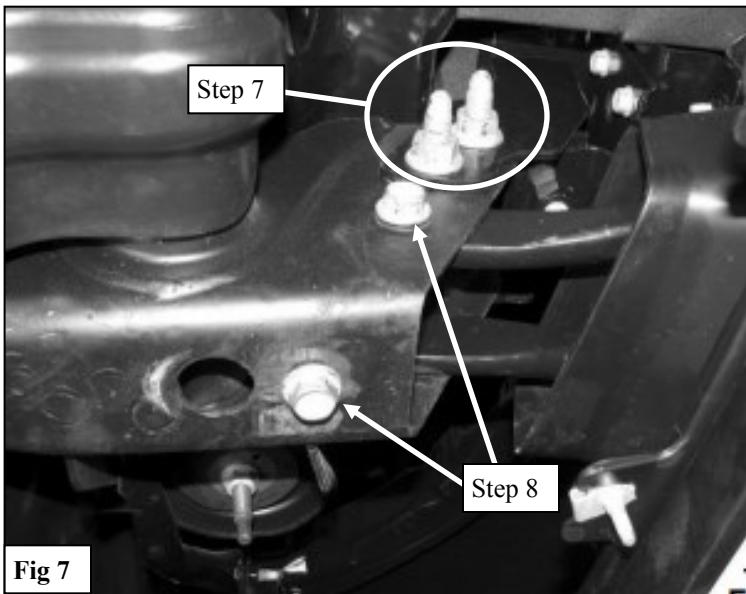
Thank you for choosing Westin products
for additional installation assistance please call
Customer Service (800) 793-7846

www.westinautomotive.com

6. Unplug the fog lights (if equipped) from each side of the bumper. See **Figure 5**.
7. Remove the factory bolts on the top of the frame. These are located behind the grille that was removed in **Step 3**. See **Figure 6**. Also remove the two bolts on the side of the frame shown in **Figure 7**. Carefully remove the front bumper.



8. Remove the tow hook bolts and tow hook from each side of the frame. See **Figure 7**. *Note: Tow hooks cannot be reused.*
9. Insert the supplied M12 Stud Plate (7) into the bottom hole on each side of the frame. See **Figure 8**.



10. Loosely install the Mount Brackets (2,3) to the frame using the supplied M12 Hardware. See **Figures 9 & 10**.

11. Reinstall the grille as removed in **Step 3**.

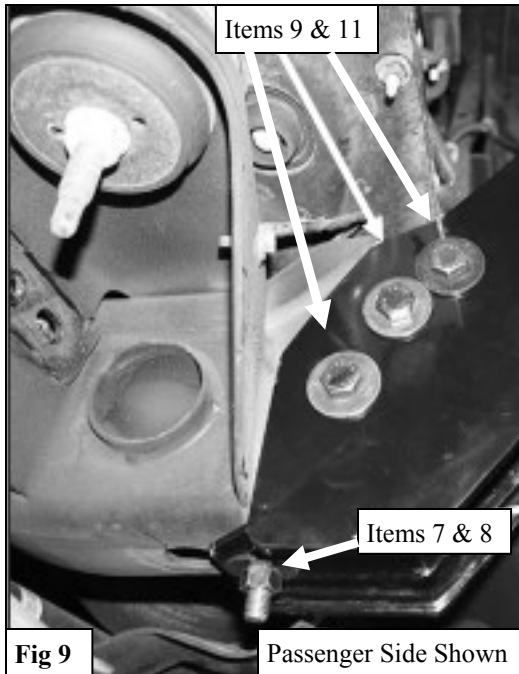


Fig 9

Passenger Side Shown

The back sides of the bolts shown in **Figure 9** will receive serrated flange nuts.

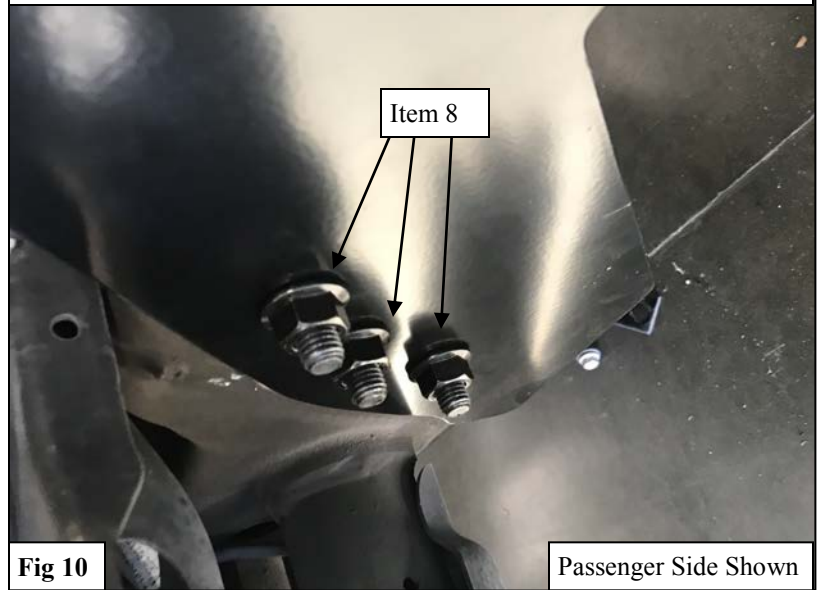


Fig 10

Passenger Side Shown

12. If reusing the factory fog lights, remove them from the OEM Bumper by pinching the plastic tabs on the mounting points. If aftermarket lights will be used, install them at this time and move to **Step 14**.

13. Install the fog light brackets (4-6) as shown in **Figure 11** using the supplied M8 Hardware. Press the OEM fog light into place. **Note:** When installing OEM fog lights, use the supplied M10 Washers (14) to help retain the plastic clips on the light. See **Figure 12**.

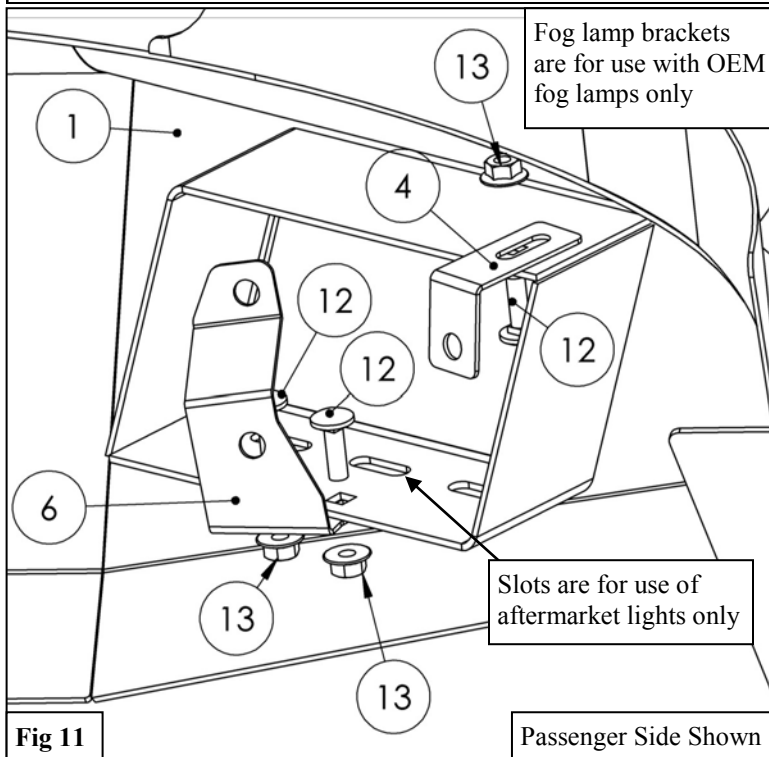


Fig 11

Passenger Side Shown

Different fog light shown; actual fog light mounts similarly

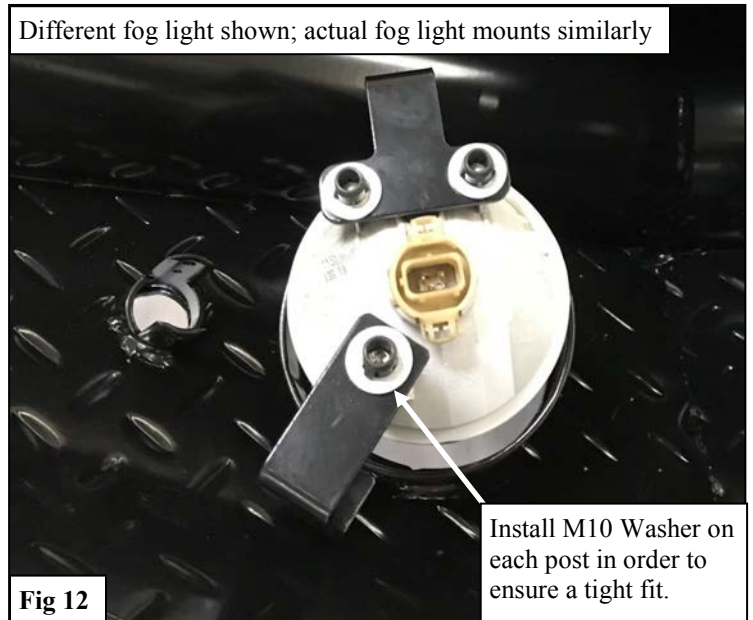
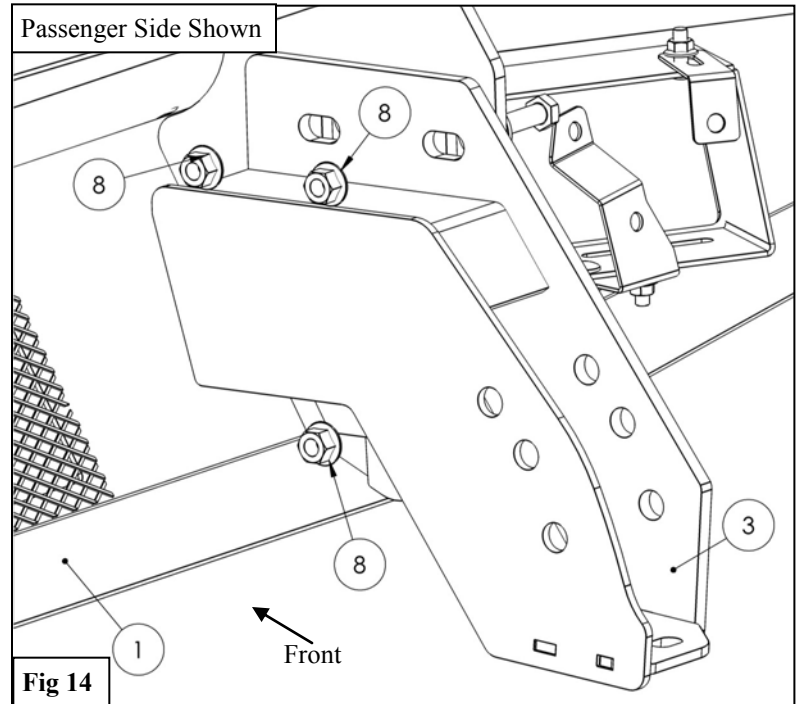
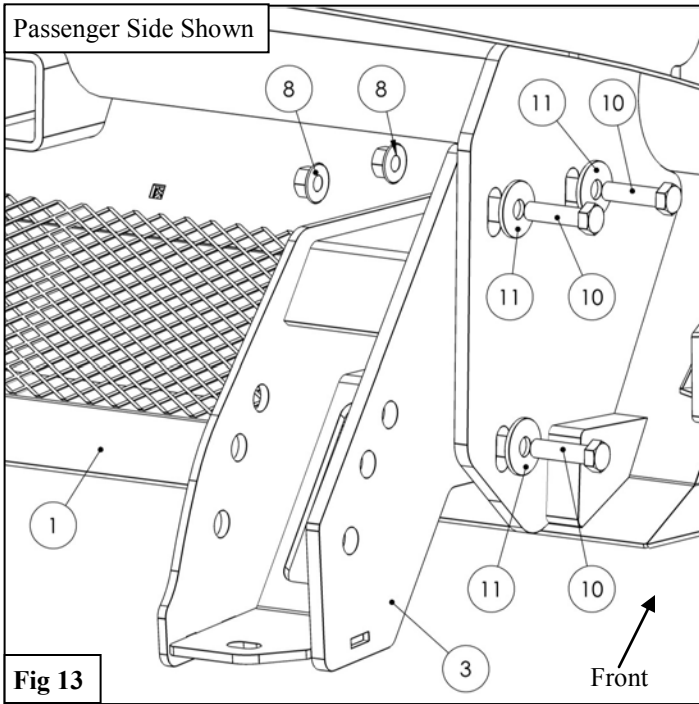
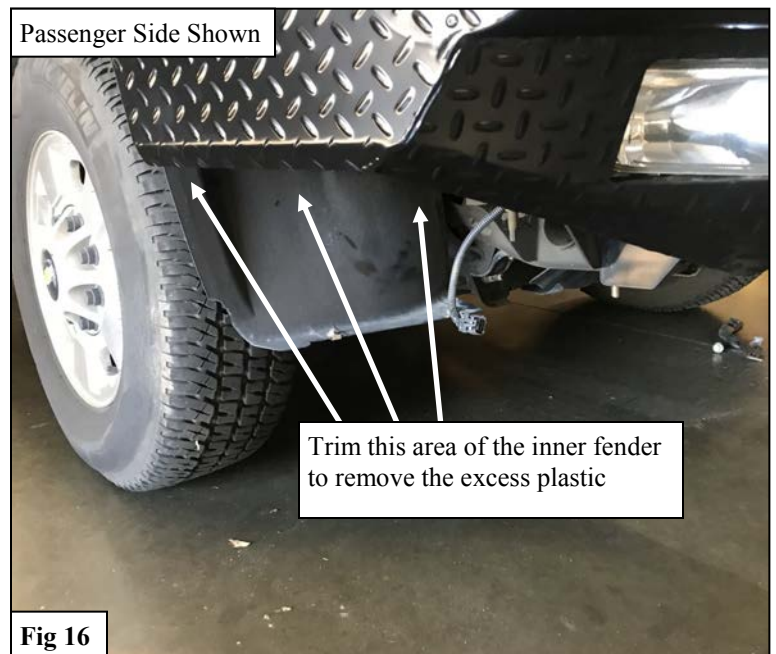
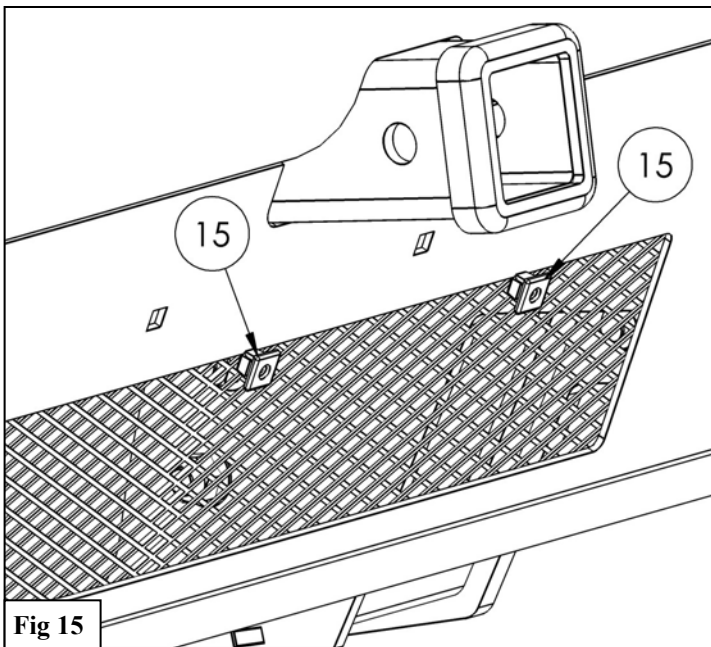


Fig 12

14. With help, carefully lift the Bumper Assembly (1) into place. *Note: It will help to use jack stands or other supports to hold the bumper in place.*
15. Loosely attach the Bumper Assembly (1) to the Mounting Brackets (2,3) using the supplied M12 Hardware. See **Figures 13 & 14.**



16. Install the two license plate grommets as shown in **Figure 15.**
17. Trim the inner fender as desired. See **Figure 16.**
18. Align and adjust the bumper as necessary. Once the desired fit is achieved, torque all hardware as specified.
19. Torque M8 Hardware to 14 ft-lbs, M12 to 60 ft-lbs.



INSTALLATION COMPLETE

LED Lights Sold Separately



CARE INSTRUCTIONS

- REGULAR WAXING IS RECOMMENDED. DO NOT USE ANY TYPE OF POLISH OR WAX THAT MAY CONTAIN ABRASIVES.
- STAINLESS STEEL PRODUCTS CAN BE CLEANED WITH MILD SOAP AND WATER. STAINLESS STEEL POLISH SHOULD BE USED TO POLISH SMALL SCRATCHES.
- GLOSS BLACK FINISHES SHOULD BE CLEANED WITH MILD SOAP AND WATER

WESTIN

Westin Automotive Products, Inc.
320 W. Covina Blvd
San Dimas, Ca. 91773

Thank you for choosing Westin products
for additional installation assistance please call
Customer Service (800) 793-7846

www.westinautomotive.com



WARNING



Failure to follow these instructions could lead to death, personal injury, and / or property damage.

Failure to follow these instructions could lead to death, personal injury, and / or property damage.

FASTENERS:

All Westin supplied fasteners must be utilized and installed in accordance with the installation instructions and apply torque to the specifications as defined. **DOUBLE CHECK ALL FASTENERS BEFORE INITIAL USE, AND PERIODICALLY IN THE FUTURE TO ENSURE PROPER FUNCTION AND SAFETY.**

DRILLING:

Most Westin products do not require drilling for installation. If drilling is defined as required, use caution when drilling a vehicle. **FAILURE TO REVIEW AN AREA TO BE DRILLED MAY RESULT IN PERSONAL INJURY AND/OR INJURY TO OTHERS AS WELL AS VEHICLE DAMAGE.**

EYE PROTECTION:

ALWAYS WEAR SAFETY GLASSES OR GOGGLES DURING THE INSTALLATION PROCESS TO AVOID PERSONAL INJURY.

MAXIMUM TOWING/CARRYING CAPACITY: (if applicable)

The Westin Receiver Hitches will have a visible tow rating label affixed directly on the product. User should never exceed the vehicle manufacturers maximum tow and weight rating regardless of the capacity of the hitch. **FAILURE TO FOLLOW THESE GUIDELINES WILL VOID THE WESTIN WARRANTY AND MAY RESULT IN PERSONAL INJURY AND/OR INJURY TO OTHERS AS WELL AS VEHICLE DAMAGE.**

FOR CALIFORNIA RESIDENTS ONLY-PROP 65 WARNING:

Some products may contain chemicals such as DEHP, which can cause cancer, birth defects or other reproductive harm. For more info go to www.p65warnings.ca.gov



Westin Automotive Products, Inc.
320 W. Covina Blvd
San Dimas, Ca. 91773