

INSTALLATION INSTRUCTIONS

PRO SERIES MID WIDTH FRONT BUMPER

APPLICATION:

2019-2023 Mercedes-Benz Sprinter

PART NUMBER:

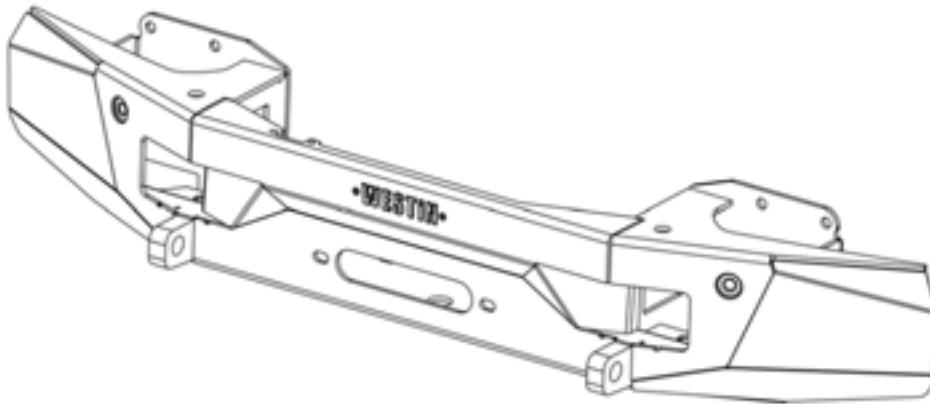
58-311295

WESTIN[®]

CONTENT			
ITEM	QUANTITY	DESCRIPTION	TOOLS NEEDED
1	1	PRO-SERIES MID WIDTH FRONT BUMPER	PRYBAR
2	1	SKID PLATE	TORQUE WRENCH
3	2	RUBBER EDGE TRIM	UTILITY KNIFE
4	1	DRIVER BRACKET	FLAT HEAD SCREWDRIVER
5	1	PASSENGER BRACKET	
6	2	SENSOR TAB	RATCHET
7	2	HARNESSE EXTENSION	18MM WRENCH
8	6	M12 HEX HEAD BOLT	18MM SOCKET
9	4	M12 FLAT WASHER	17MM WRENCH
10	4	M12 SERRATED FLANGE NUT	17MM SOCKET
11	2	M12 LARGE FLAT WASHER	13MM WRENCH
12	6	M10 BUTTON HEAD BOLTS	13MM SOCKET
13	6	M10 SPLIT LOCK WASHER	10MM WRENCH
14	6	M10 FLAT WASHER	10MM SOCKET
15	8	M8 FLAT WASHER	ALLEN WRENCH
16	8	M8 SPLIT LOCK WASHERS	
17	2	M6 SQUARE NECK BOLT	
18	2	M6 SPLIT LOCK WASHER	
19	2	M6 FLAT WASHER	
20	2	M6 HEX NUT	

ANTI-SEIZE LUBRICANT MUST BE USED ON ALL STAINLESS STEEL FASTENERS TO PREVENT THREAD DAMAGE AND GALLING

ITEM 1



WESTIN

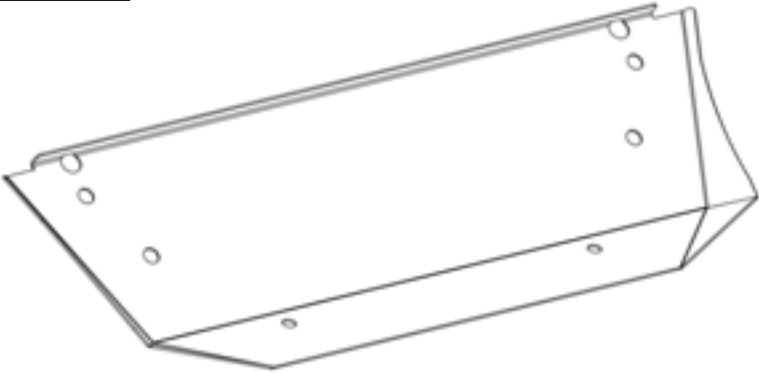
Westin Automotive Products, Inc.
320 W. Covina Blvd
San Dimas, Ca. 91773

Thank you for choosing Westin products
for additional installation assistance please call
Customer Service (800) 793-7846

www.westinautomotive.com

DATE: 04/21/2023

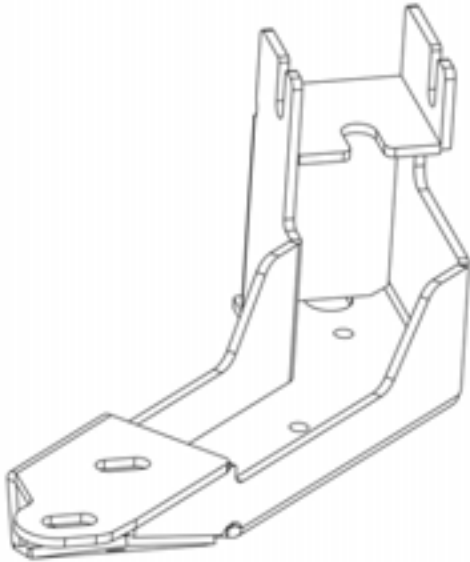
ITEM 2



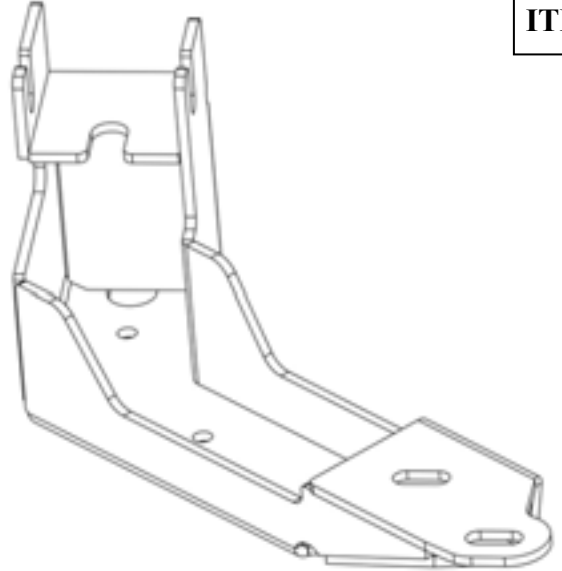
ITEM 3



ITEM 4



ITEM 5



PROCEDURE

1. Remove contents from box, verify if all parts listed are present and free from damage.
Carefully read and understand all instructions before attempting installation.
Failure to identify damage before installation could lead to a rejection of any claim.

OE Bumper Removal

2. Remove the screws that are located on the top of the grille. See **Figure 1** for reference.
3. Right behind the top grille is a screw that will need to be removed. An extension will be needed to remove the screw. See **Figure 2** for reference.
4. Just above the license plate are two caps that can be removed to reveal two screws which need to be removed. See **Figure 3** for reference.

Figure 1

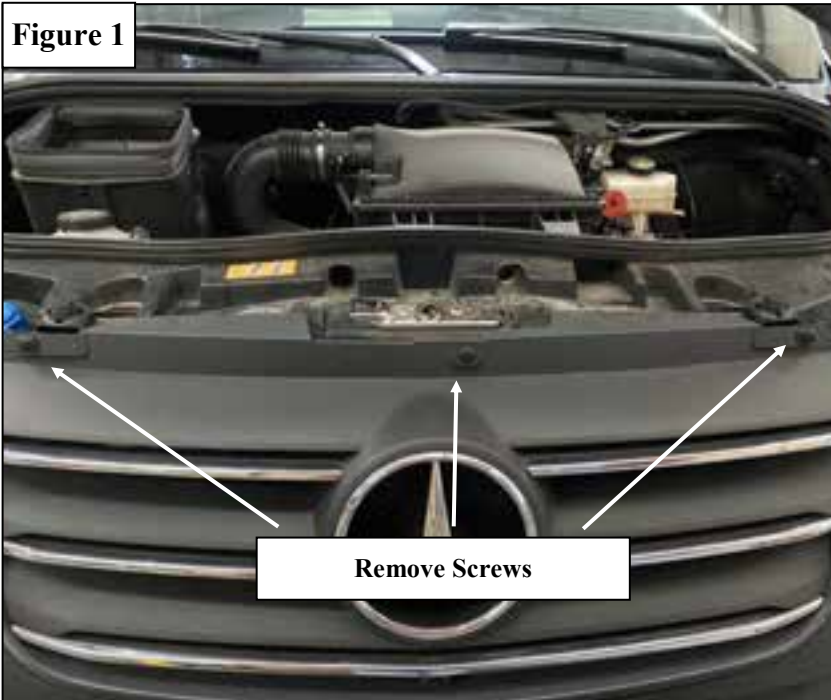


Figure 2

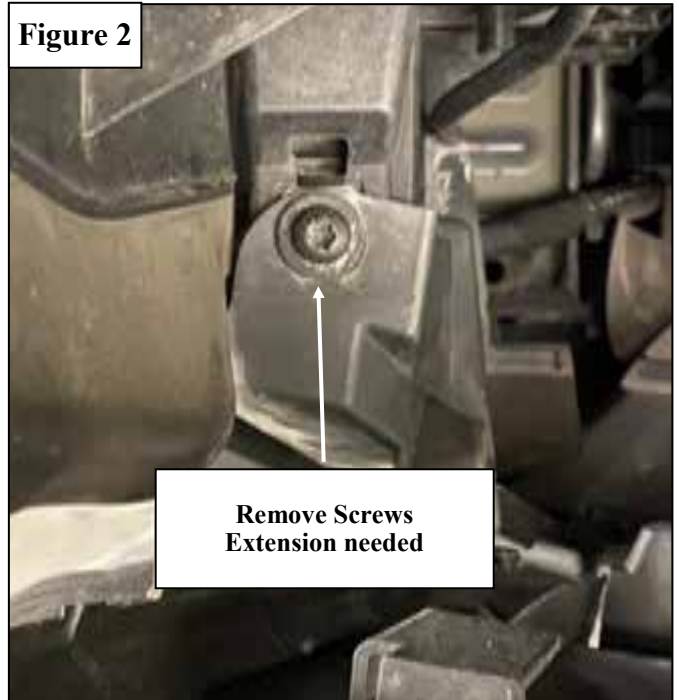


Figure 3



5. Along the bottom of the bumper and the fender are plastic clips which will release the bumper to the car. See **Figure 4 & 5** for reference.
6. Disconnect all the cables that are connected to the front camera, parking sensor, and fog lights.

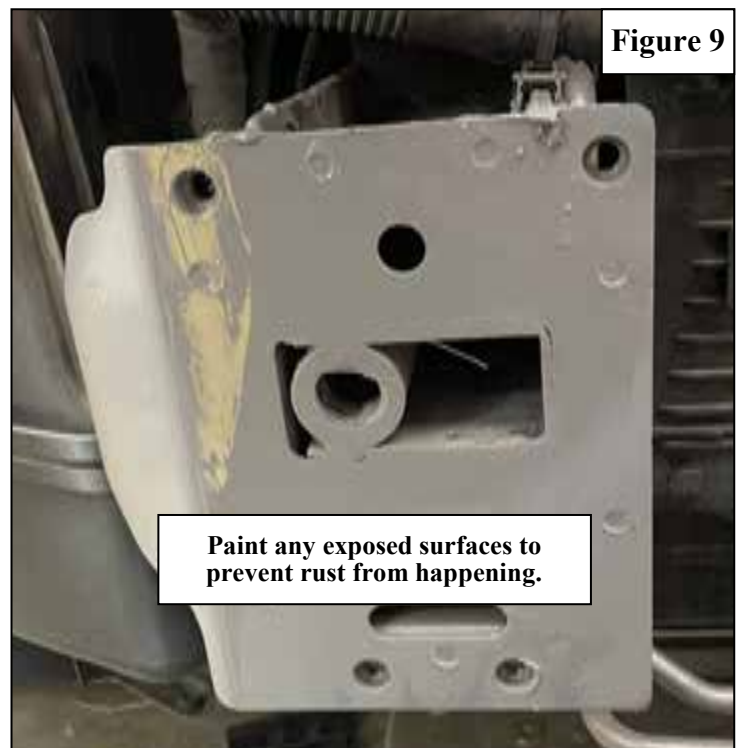
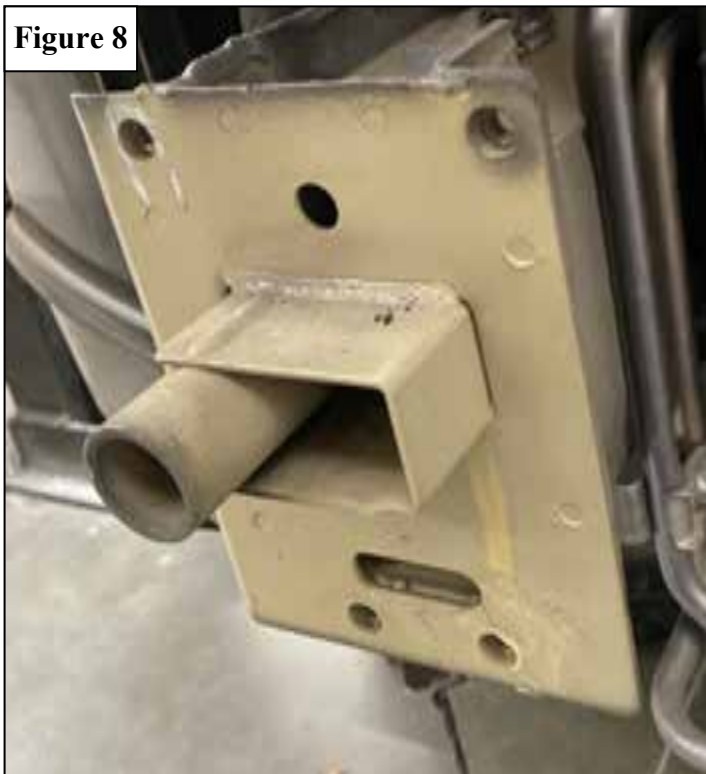
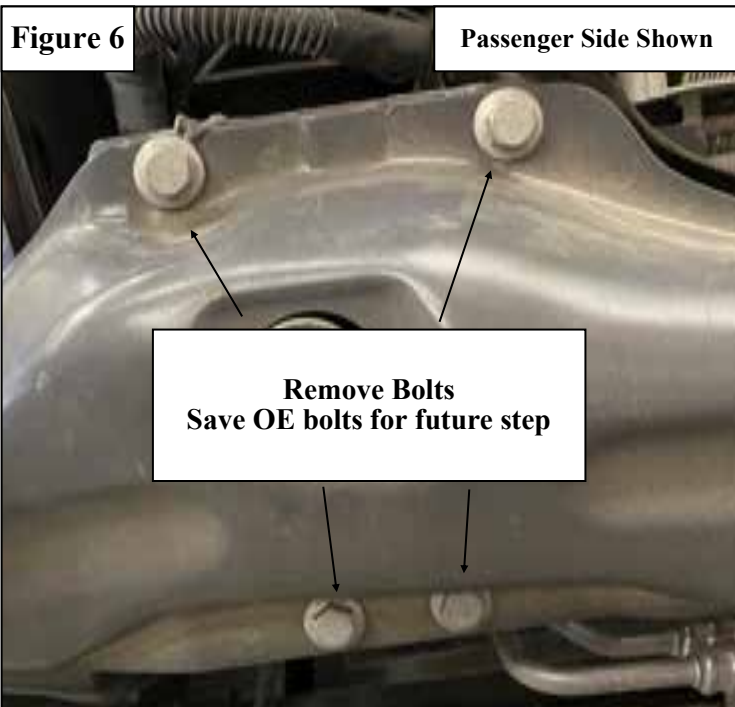
Figure 4



Figure 5



7. Remove the adaptive cruise control, the rubber divide and the bolts that are located on the side of the frame.
NOTE: handle the adaptive cruise control with cautious since it is sensitive.
8. Remove the crash bar from the vehicle. Save the OE hardware since they will be reused. See **Figure 6 & 7** for reference.
9. On the passenger side cut off the tow bolt to have a flat mounting surface.. See **Figure 8 & 9** for reference. **NOTE:** Once the tow bolt has been cut off paint any exposed surfaces to prevent any rust from happening.



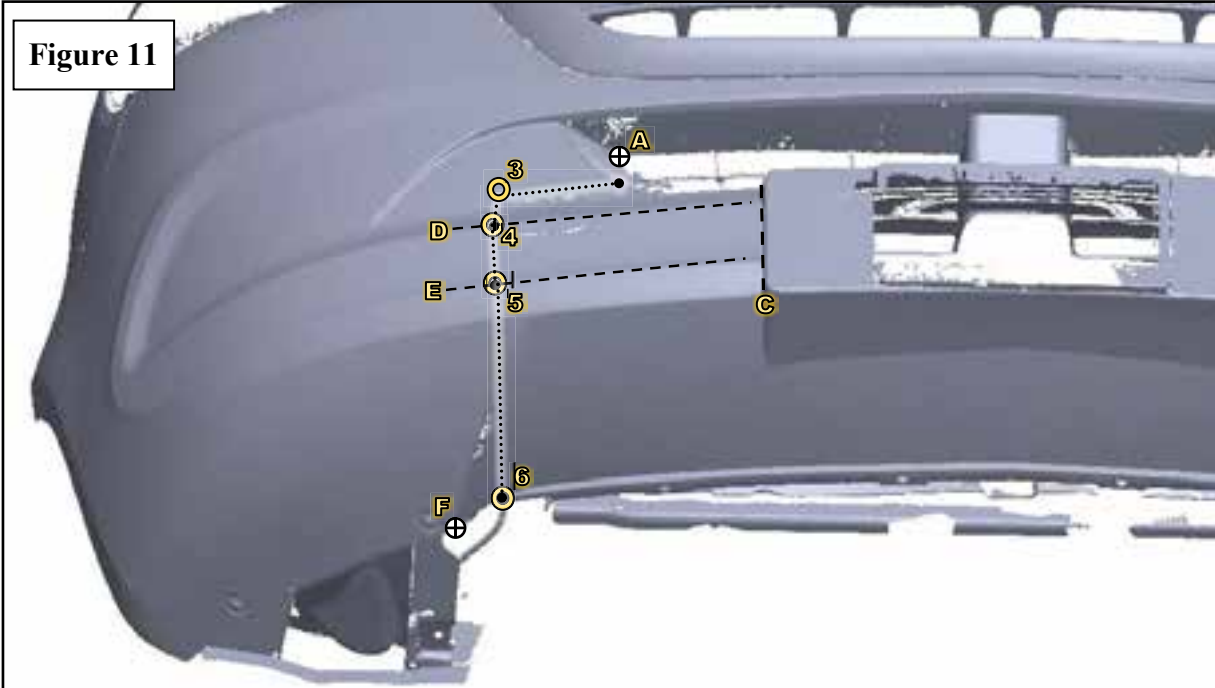
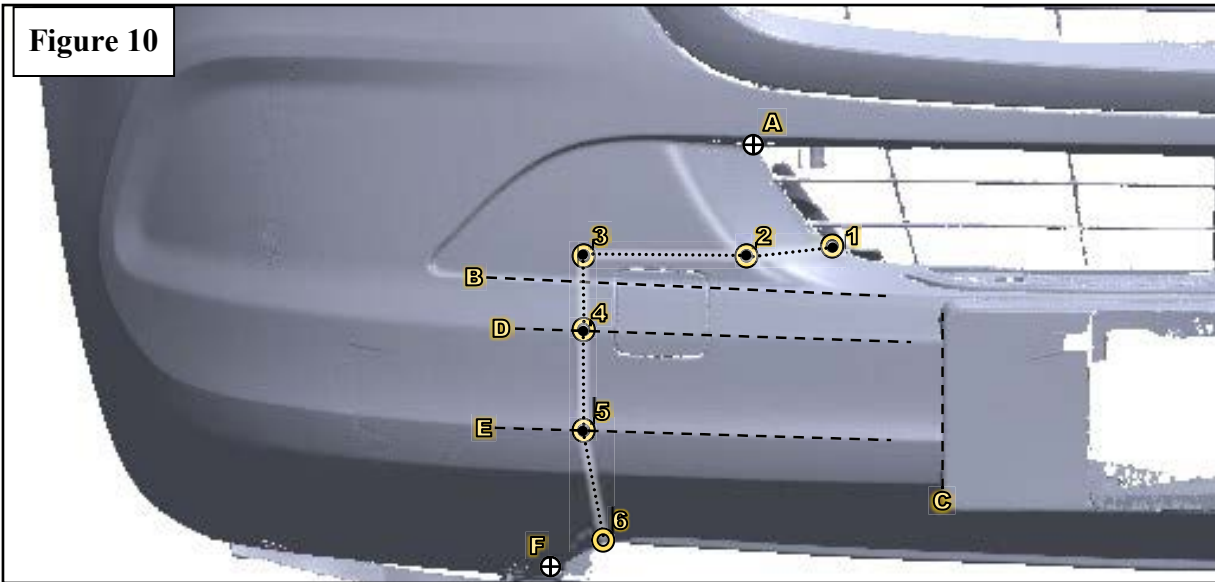
OE Bumper Trimming Procedure

NOTE: It is recommended to use masking tape, ruler, and marker for the trimming procedure. The trimming procedure consists of 4 steps.

- Measuring and marking each of the 6 key points.
- Connecting the key point with masking tape.
- Double checking measurements.
- Trimming using a cutting tool.

Legend:

- Trim Line●
- Bumper Reference Line - - - - -
- Key Point ○
- Bumper Reference Point ⊕



10. Key point 1 is located 10cm from bumper reference A. Measure 10cm along the edge of the plastic and mark point 1.
11. Find bumper reference line B and measure a line parallel to it 1.5cm above it. Mark that trim line across. The limits of this trim line are located at key points 2 and 3.
12. Find bumper reference line C and measure 45cm along reference line D and mark Key point 4.
13. Find bumper reference line C and measure 45cm along reference line E and mark Key point 5.
14. Draw trim line from key point 4 to five and extend up to point 3. Mark key point 3.
15. Key point 2 is located along trim line from step 11 and corner of plastic bumper.
16. Connect key points 1 and 2 following curve on plastic to complete that segment of the trim line.
17. Find bumper reference F and measure 5.5cm along the edge of the plastic to mark key point 6.
18. Once you have marked the trim line, double check measurements, repeat on the opposite side and trim bumper.

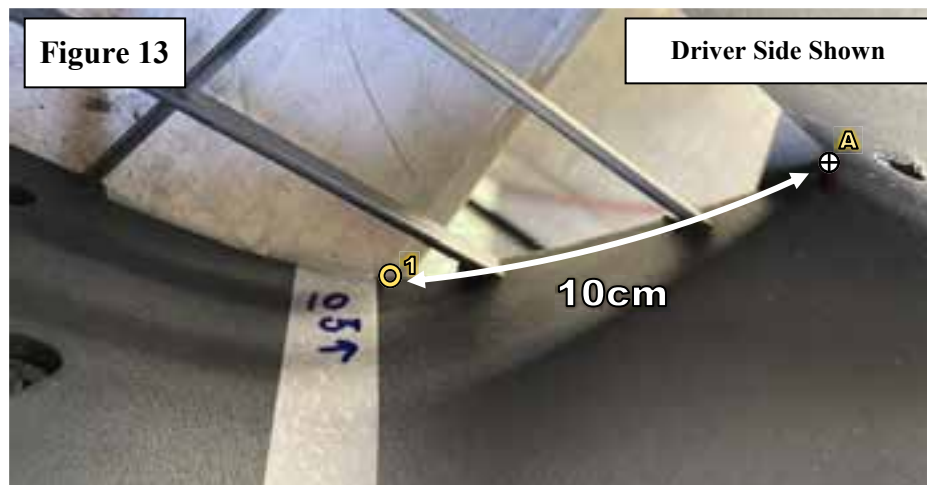
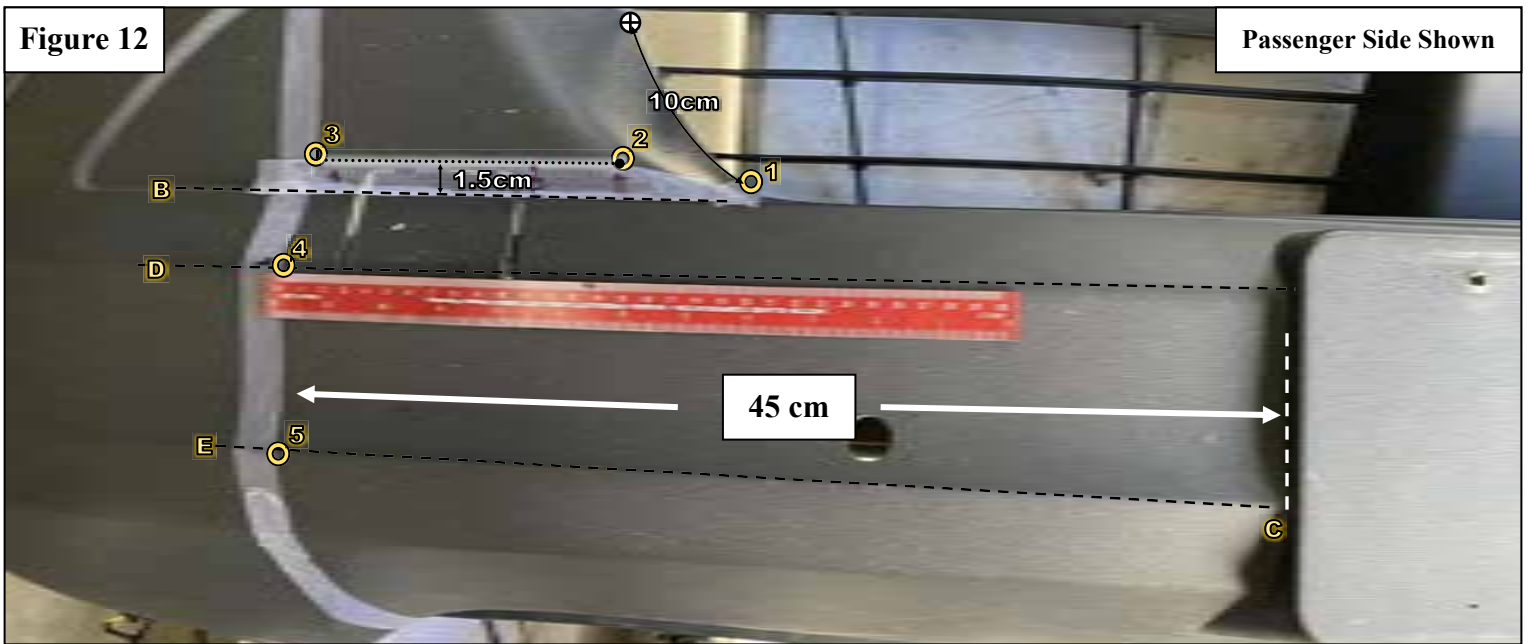
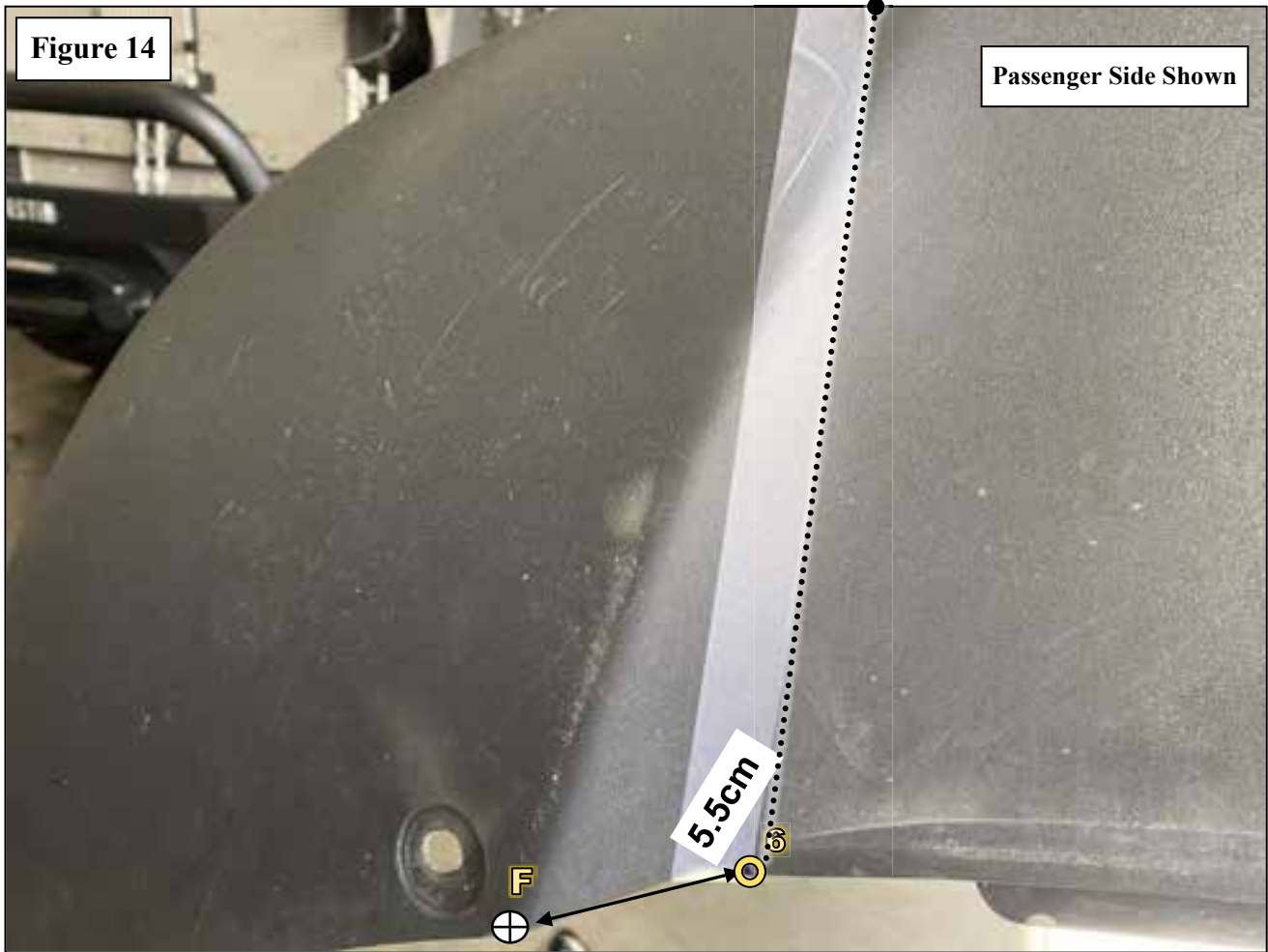
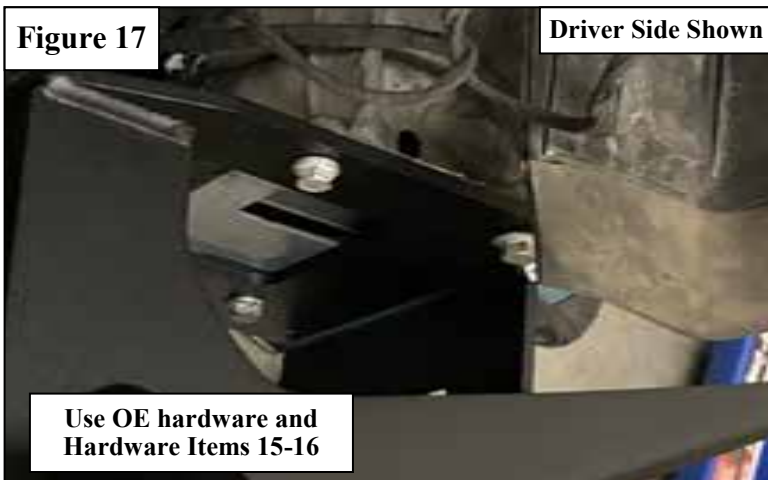
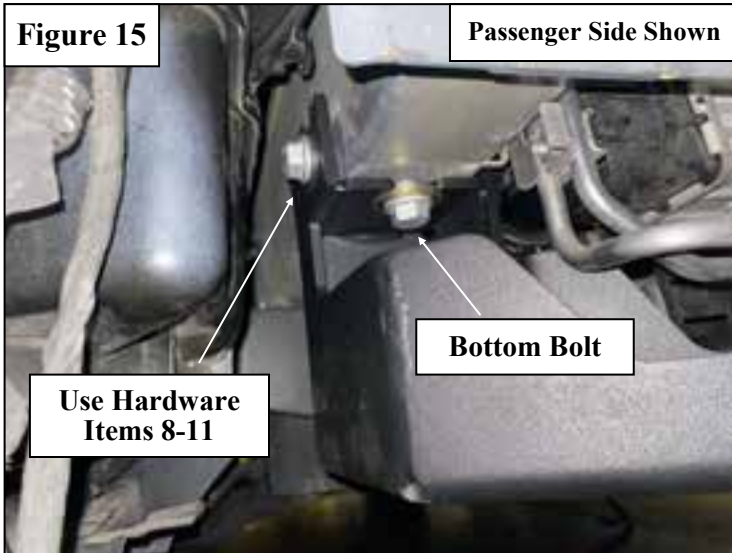


Figure 12



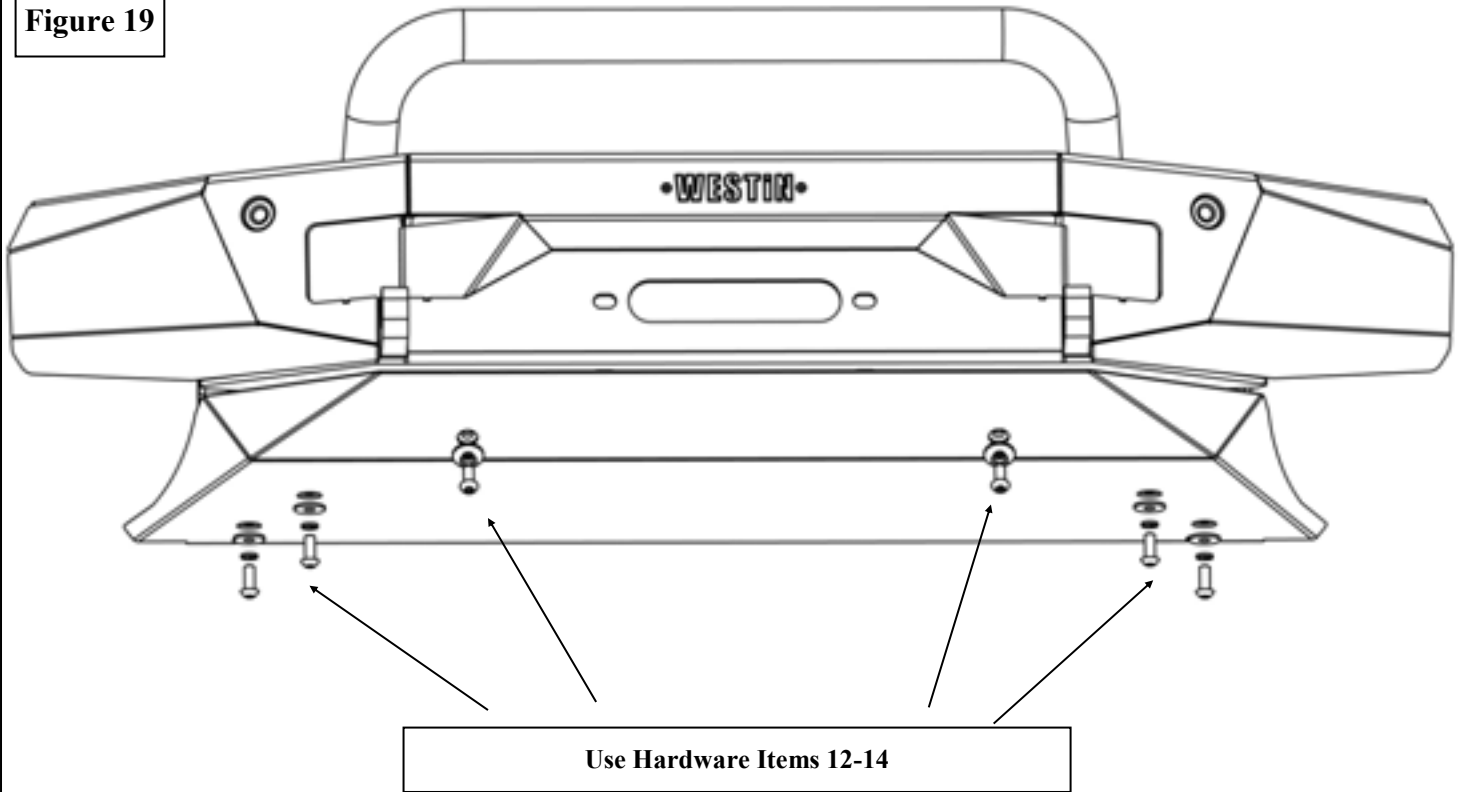
Pro-Series Mid Width Front Bumper Installation

- Using the M12 hardware provided (**Items 8-11**) loosely attach the Driver Bracket (**Item 4**) and Passenger Bracket (**Item 5**). Use the M12 Large Flat Washer (**Item 11**) for the bottom bolt. See **Figure 17** for reference.
- Using the OE hardware and the hardware provided (**Item 15-16**) loosely attach the Pro-Series Mid Width Front Bumper (**Item 1**). See **Figure 11 & 12** for reference.
- Using the hardware provided (**Item 17-20**), sensor tab (**Item 6**), and harness extension (**Item 7**), start by connecting the parking sensor and adding the winch. See **Figure 13** for reference.



19. Using the hardware provided (**Items 12-14**) loosely attach the Skid Plate (**Item 2**) to the Driver Bracket (**Item 4**), Passenger Bracket (**Item 5**), and Pro-Series Mid Width Front Bumper (**Item 1**). See **Figure 19** for reference.
20. Align and adjust the Pro-series Mid Width Front Bumper assembly as necessary. Tighten and torque all hardware as specified: M12 to 45-50 ft-lbs., M10 to 35 ft-lbs., M8 to 15-18 ft-lbs., and M6 to 5-7 ft-lbs.
21. Install the trimmed bumper to the vehicle. Connect any sensors or fog lights.

Figure 19



INSTALLATION COMPLETE



NOTE: Bull Bar, Adaptive Cruise Control Mount, and LED Lights all sold separately

CARE INSTRUCTIONS

- REGULAR WAXING IS RECOMMENDED. DO NOT USE ANY TYPE OF POLISH OR WAX THAT MAY CONTAIN ABRASIVES.
- STAINLESS STEEL PRODUCTS CAN BE CLEANED WITH MILD SOAP AND WATER. STAINLESS STEEL POLISH SHOULD BE USED TO POLISH SMALL SCRATCHES.
- GLOSS BLACK FINISHES SHOULD BE CLEANED WITH MILD SOAP AND WATER.



Westin Automotive Products, Inc.
320 W. Covina Blvd
San Dimas, Ca. 91773

Thank you for choosing Westin products
for additional installation assistance please call
Customer Service (800) 793-7846
www.westinautomotive.com



WARNING



Failure to follow these instructions could lead to death, personal injury, and / or property damage.

Failure to follow these instructions could lead to death, personal injury, and / or property damage.

FASTENERS:

All Westin supplied fasteners must be utilized and installed in accordance with the installation instructions and apply torque to the specifications as defined. **DOUBLE CHECK ALL FASTENERS BEFORE INITIAL USE, AND PERIODICALLY IN THE FUTURE TO ENSURE PROPER FUNCTION AND SAFETY.**

DRILLING:

Most Westin products do not require drilling for installation. If drilling is defined as required, use caution when drilling a vehicle. **FAILURE TO REVIEW AN AREA TO BE DRILLED MAY RESULT IN PERSONAL INJURY AND/OR INJURY TO OTHERS AS WELL AS VEHICLE DAMAGE.**

EYE PROTECTION:

ALWAYS WEAR SAFETY GLASSES OR GOGGLES DURING THE INSTALLATION PROCESS TO AVOID PERSONAL INJURY.

MAXIMUM TOWING/CARRYING CAPACITY: (if applicable)

The Westin Receiver Hitches will have a visible tow rating label affixed directly on the product. User should never exceed the vehicle manufacturers maximum tow and weight rating regardless of the capacity of the hitch. **FAILURE TO FOLLOW THESE GUIDELINES WILL VOID THE WESTIN WARRANTY AND MAY RESULT IN PERSONAL INJURY AND/OR INJURY TO OTHERS AS WELL AS VEHICLE DAMAGE.**

FOR CALIFORNIA RESIDENTS ONLY-PROP 65 WARNING:

Some products may contain chemicals such as DEHP, which can cause cancer, birth defects or other reproductive harm. For more info go to www.p65warnings.ca.gov



Westin Automotive Products, Inc.
320 W. Covina Blvd
San Dimas, Ca. 91773