

INSTALLATION INSTRUCTIONS

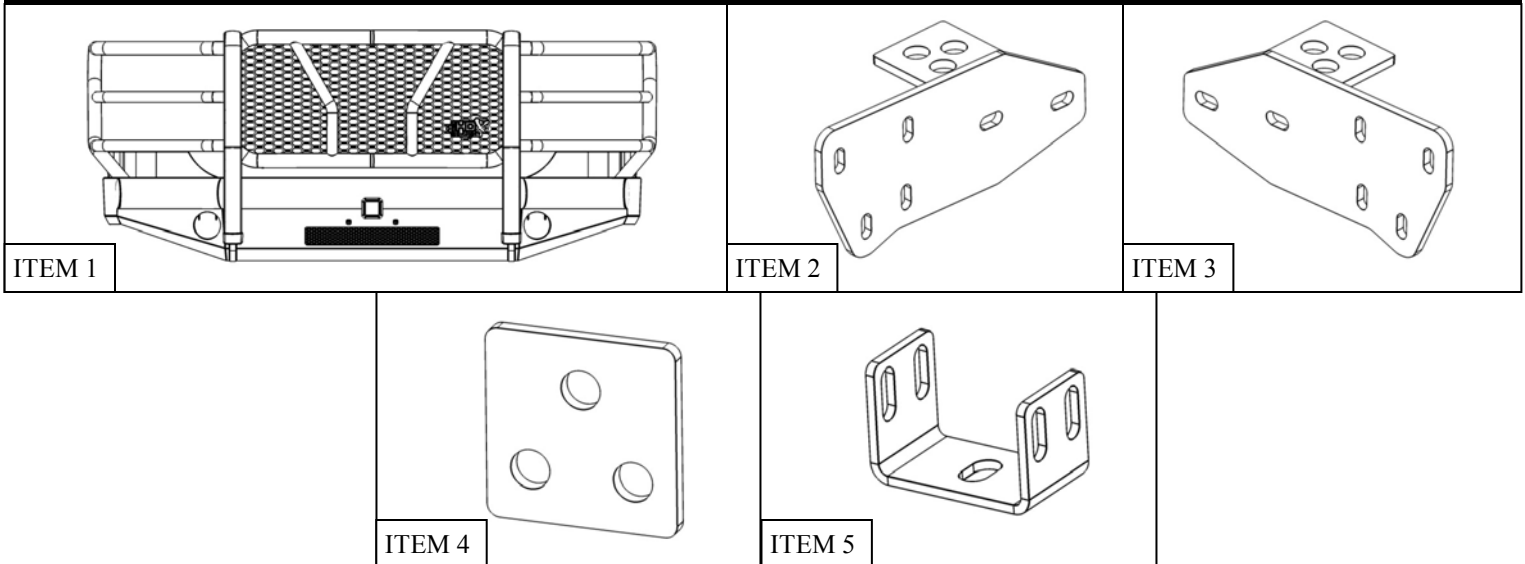
HDX BANDIT BUMPER



APPLICATION:
2011-2016 Ford F-250/350 Super Duty
PART NUMBER:
58-31115

CONTENT			
ITEM	QUANTITY	DESCRIPTION	TOOLS NEEDED
1	1	BUMPER ASSEMBLY	10MM SOCKET
2	1	DRIVER MOUNTING BRACKET	10MM WRENCH
3	1	PASSENGER MOUNTING BRACKET	18MM SOCKET
4	2	REINFORCEMENT PLATE	18MM WRENCH
5	2	LED MOUNTING BRACKET	19MM SOCKET
6	18	M12 HEX NUT	19MM WRENCH
7	18	M12 SPLIT LOCK WASHER	PRY TOOL
8	14	LONG M12 HEX HEAD CAP SCREW	FLOOR JACK
9	4	SHORT M12 HEX HEAD CAP SCREW	RATCHET
10	36	M12 FLAT WASHER	TORQUE WRENCH
11	8	M6 HEX HEAD CAP SCREW	
12	16	M6 FLAT WASHER	
13	8	M6 NYLOCK NUT	
14	2	LICENSE PLATE GROMMET	

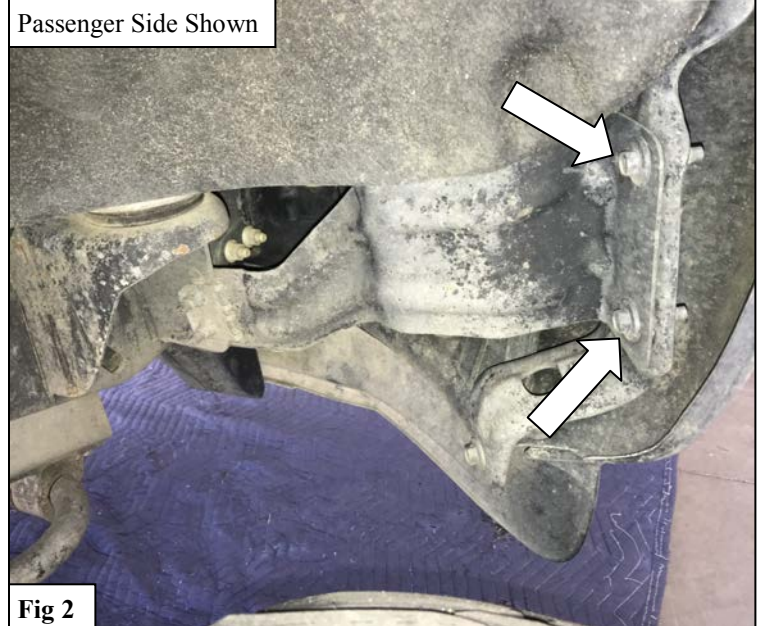
ANTI-SEIZE LUBRICANT MUST BE USED ON ALL STAINLESS STEEL FASTENERS TO PREVENT THREAD DAMAGE AND GALLING



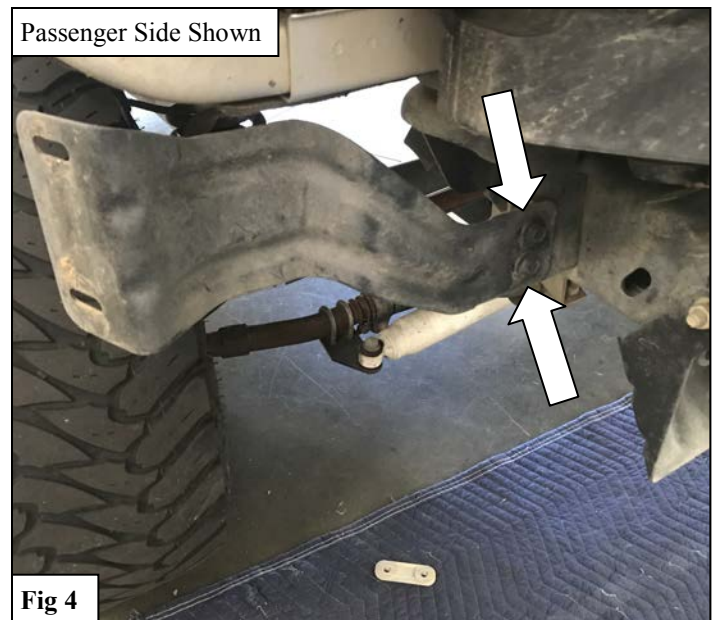
PROCEDURE

1. Remove contents from box, verify if all parts listed are present and free from damage.
Carefully read and understand all instructions before attempting installation.
Failure to identify damage before installation could lead to a rejection of any claim.

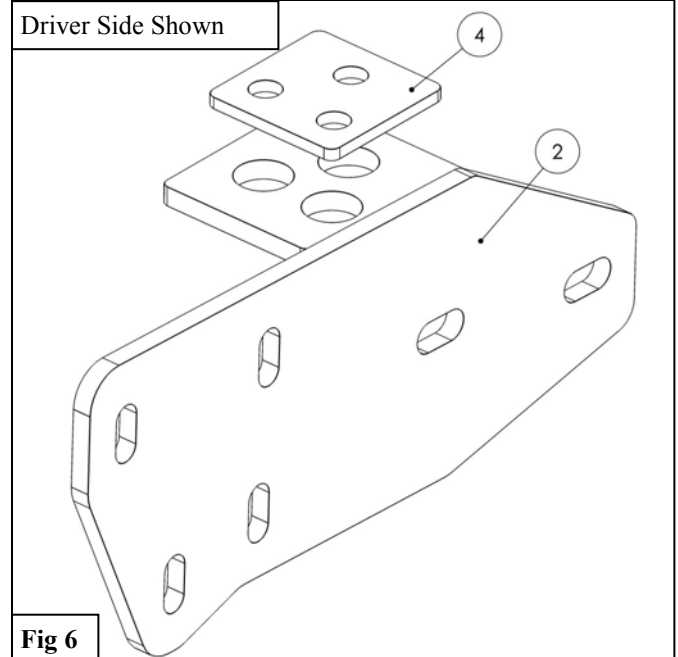
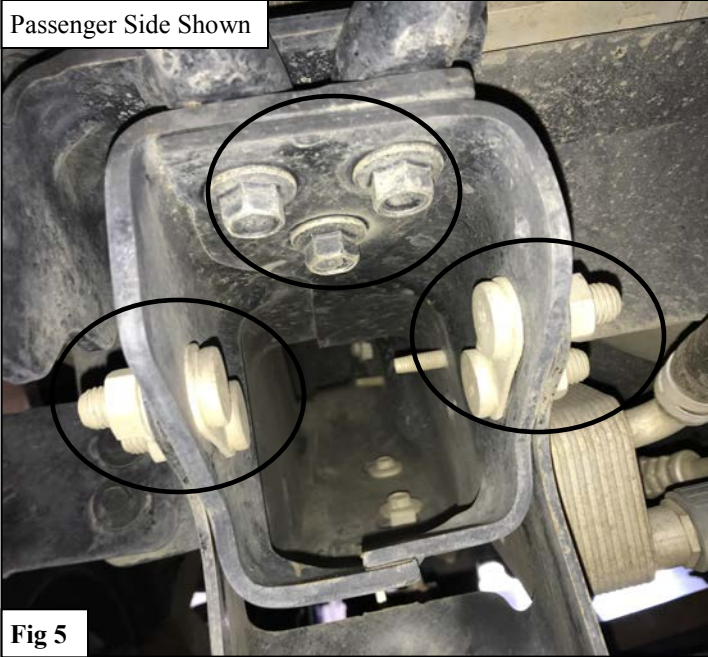
2. Remove the two bolts next the tow hooks on either side of the vehicle. See **Figure 1**.
3. Remove the two bolts securing the bumper support straps to either side of the bumper. See **Figure 2**.



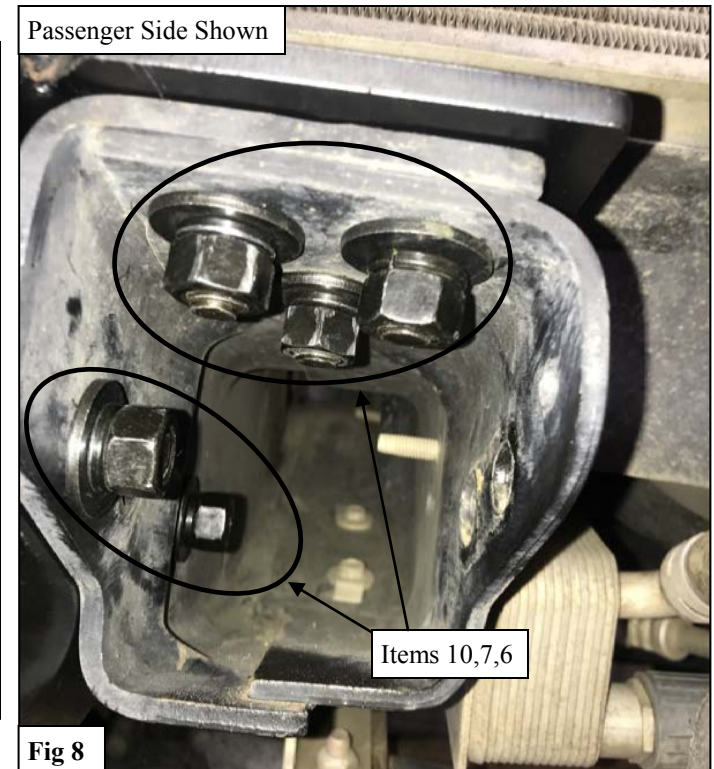
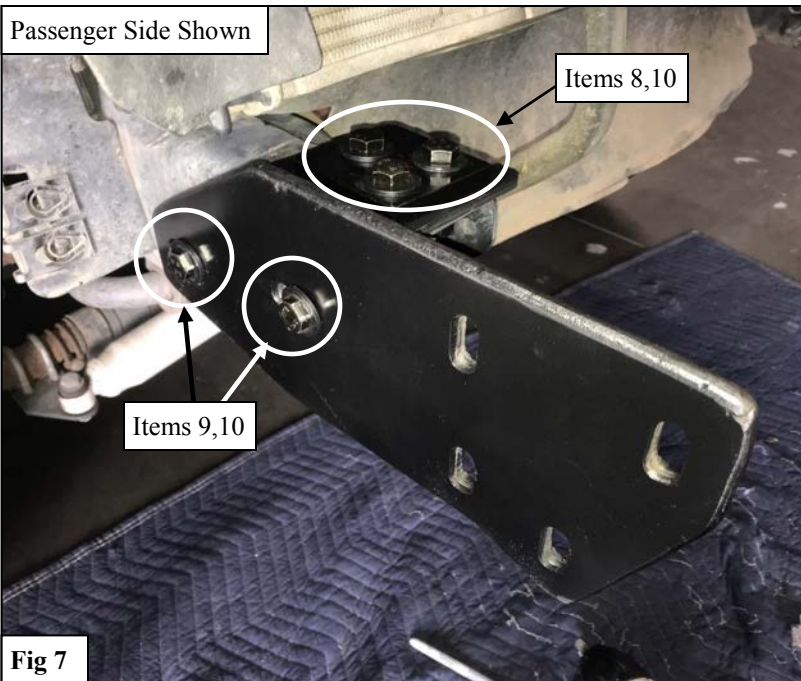
4. Remove the three trim fasteners that secure the rubber trim to the bumper. See **Figure 3**.
5. Remove the two bolts that secure the support straps to the vehicle's frame. See **Figure 4**.



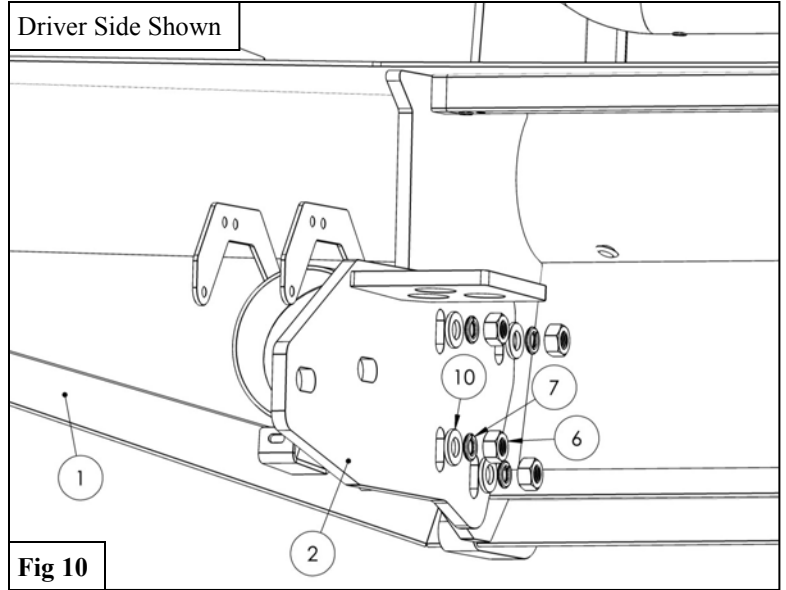
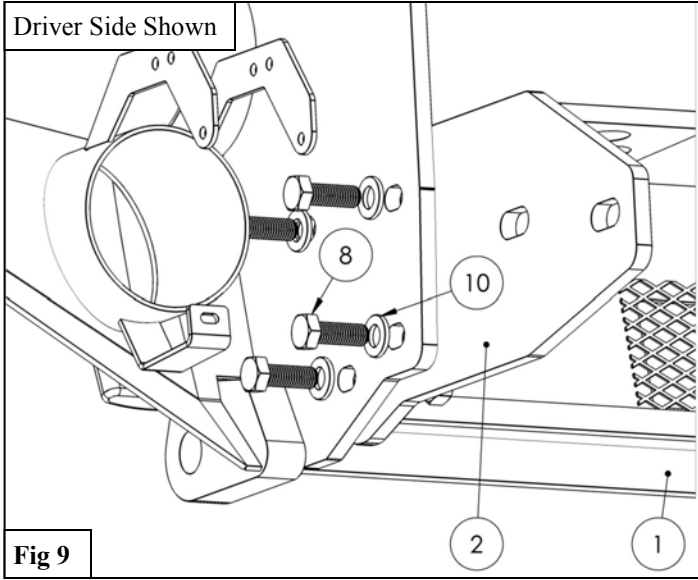
- Remove the three bolts securing each tow hook to the frame See **Figure 5**. *Note: Tow hooks cannot be reused.* Also remove the four nuts securing the factory bracket to the frame. See **Figure 5**.
- Place the Mounting Brackets (2,3) onto the frame along with the Reinforcement Plates (4). See **Figures 6 & 7**.



- Use the supplied Short M12 Bolts (9) along with the supplied M12 Washers (7,10) and Nuts (6) to loosely secure the Mounting Brackets (2,3) to the vehicle. See **Figures 7 & 8**.
- Use the supplied Long M12 Bolts (8) along with the supplied M12 Washers (7,10) and Nuts (6) to loosely secure the Reinforcement Plate (4) and Mounting Brackets (2,3) to the frame. See **Figure 8**.

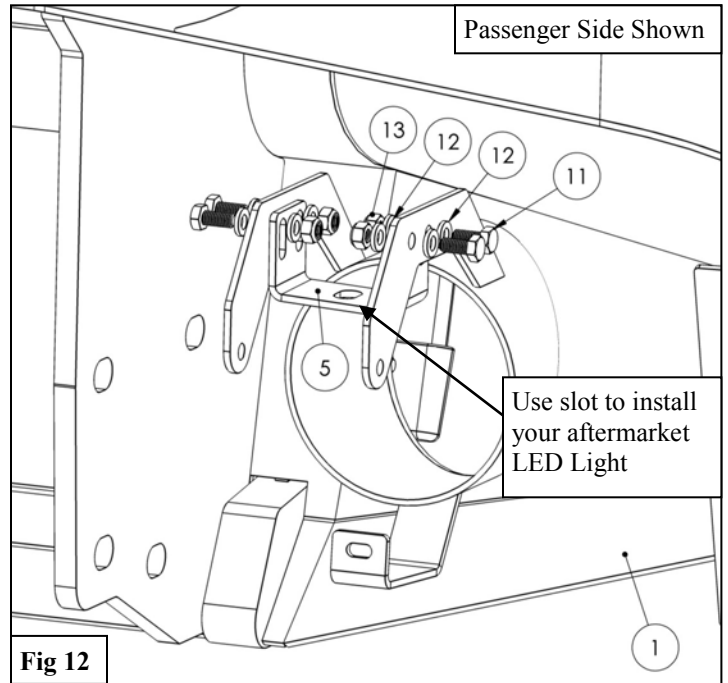
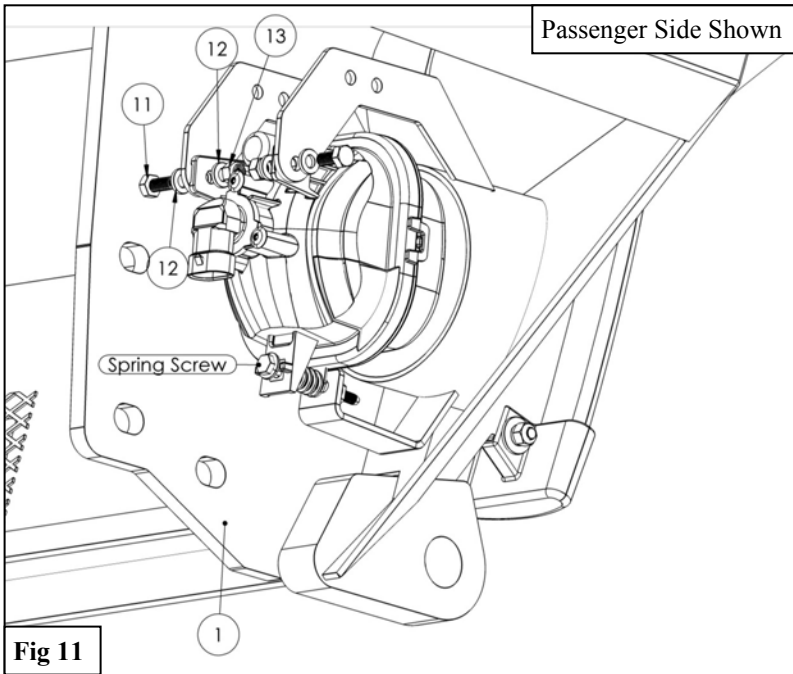


10. Use a floor jack to lift the Bumper assembly (1) into place. **WARNING: the Bandit Bumper is extremely heavy. Use the help of another person along with a floor jack to lift it.** Use the supplied M12 Hardware to loosely attach the Bumper Assembly (1) to the Mounting Brackets (2,3). See **Figures 9 & 10**.

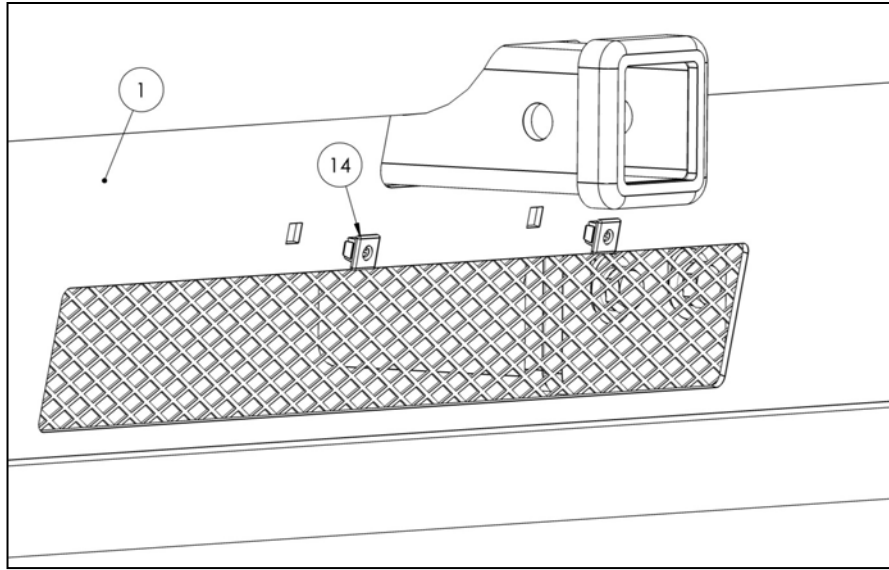


11. For use with factory fog lamps: Use the factory “spring screw” along with the supplied M6 Hardware to secure the factory fog lamp in place. See **Figure 11**.

12. For use with aftermarket lights: Use the supplied LED Mounting Bracket along with the supplied M6 Hardware to secure the aftermarket light in place. See **Figure 12**.



13. Install the supplied License Plate Grommets in the square holes on the bumper. See **Figure 13**.
14. Align the bumper as desired and tighten all hardware as specified: M6 to 8 ft-lbs, M12 to 60 ft-lbs.



INSTALLATION COMPLETE



CARE INSTRUCTIONS

- REGULAR WAXING IS RECOMMENDED. DO NOT USE ANY TYPE OF POLISH OR WAX THAT MAY CONTAIN ABRASIVES.
- STAINLESS STEEL PRODUCTS CAN BE CLEANED WITH MILD SOAP AND WATER. STAINLESS STEEL POLISH SHOULD BE USED TO POLISH SMALL SCRATCHES.
- GLOSS BLACK FINISHES SHOULD BE CLEANED WITH MILD SOAP AND WATER



WARNING



Failure to follow these instructions could lead to death, personal injury, and / or property damage.

Failure to follow these instructions could lead to death, personal injury, and / or property damage.

FASTENERS:

All Westin supplied fasteners must be utilized and installed in accordance with the installation instructions and apply torque to the specifications as defined. **DOUBLE CHECK ALL FASTENERS BEFORE INITIAL USE, AND PERIODICALLY IN THE FUTURE TO ENSURE PROPER FUNCTION AND SAFETY.**

DRILLING:

Most Westin products do not require drilling for installation. If drilling is defined as required, use caution when drilling a vehicle. **FAILURE TO REVIEW AN AREA TO BE DRILLED MAY RESULT IN PERSONAL INJURY AND/OR INJURY TO OTHERS AS WELL AS VEHICLE DAMAGE.**

EYE PROTECTION:

ALWAYS WEAR SAFETY GLASSES OR GOGGLES DURING THE INSTALLATION PROCESS TO AVOID PERSONAL INJURY.

MAXIMUM TOWING/CARRYING CAPACITY: (if applicable)

The Westin Receiver Hitches will have a visible tow rating label affixed directly on the product. User should never exceed the vehicle manufacturers maximum tow and weight rating regardless of the capacity of the hitch. **FAILURE TO FOLLOW THESE GUIDELINES WILL VOID THE WESTIN WARRANTY AND MAY RESULT IN PERSONAL INJURY AND/OR INJURY TO OTHERS AS WELL AS VEHICLE DAMAGE.**

FOR CALIFORNIA RESIDENTS ONLY-PROP 65 WARNING:

Some products may contain chemicals such as DEHP, which can cause cancer, birth defects or other reproductive harm. For more info go to www.p65warnings.ca.gov



Westin Automotive Products, Inc.
320 W. Covina Blvd
San Dimas, Ca. 91773