

INSTALLATION INSTRUCTIONS

HDX WINCH MOUNT GRILLE GUARD



APPLICATION:

2019-2024 Chevrolet Silverado 1500 (Excl. 2019 Silverado LD)

PART NUMBER:

Winch Tray Kit: 46-23955

Grille Guard Kit: 57-93955A

Kit Number: 57-93955

ITEM	QUANTITY	DESCRIPTION	TOOLS NEEDED
1	1	WINCH TRAY (46-23955)	15MM SOCKET
2,3	2	WINCH TRAY MOUNTING BRACKETS, DRIVER(2)/PASSENGER(3)	15MM WRENCH
4	2	M12 BOLT PLATE	18MM SOCKET
5	2	M10 BOLT PLATE	18MM SOCKET
6	2	LARGE SPACER WASHER	SCREW DRIVER
7	4	M12 HEX HEAD CAP SCREW (BLACK ZINC)	UTILITY KNIFE
8	4	SMALL M12 FLAT WASHER (BLACK ZINC)	RATCHET
9	4	LARGE M12 FLAT WASHER (BLACK ZINC)	TORQUE WRENCH
10	6	M12 SPLIT LOCK WASHER (BLACK ZINC)	
11	6	M12 HEX NUT (BLACK ZINC)	
12	2	M10 HEX HEAD CAP SCREW (BLACK ZINC)	
13	4	M10 FLAT WASHER (BLACK ZINC)	
14	4	M10 SPLIT LOCK WASHER (BLACK ZINC)	
15	2	M10 HEX NUT (BLACK ZINC)	
16	2	M10 SERRATED FLANGE BOLT (BLACK ZINC)	
17	2	M10 SERRATED FLANGE NUT (BLACK ZINC)	
18	4	M12 BUTTON HEAD BOLT (BLACK ZINC)	
19	4	M12 BELLVILLE WASHER (BLACK ZINC)	
20	4	M12 SERRATED FLANGE NUT (BLACK ZINC)	
21	2	M10 FISH WIRE	
22	2	M12 FISH WIRE	
23	2	M10 PLASTIC RETAINER SQUARE	
24	2	M12 PLASTIC RETAINER SQUARE	
ITEMS BELOW ARE INCLUDED WITH THE GRILLE GUARD KIT			
25	1	GRILLE GUARD ASSEMBLY	
26	2	SPACER PLATE (ONLY USED WITH WINCH TRAY GRILLE GUARD KITS)	
27,28	2	UPPER STRAP BRACKET FOR BODY STYLE "A" DRIVER (27) AND PASSENGER (28)	
29	4	M12 HEX HEAD FLANGE BOLT (BLACK ZINC)	
30	8	M12 HEX HEAD SERRATED FLANGE NUT (BLACK ZINC)	
31	2	M10 HEX SOCKET BUTTON HEAD SCREW (RAW OR BLACK ZINC)	
32	2	M10 BELLVILLE WASHER (RAW OR BLACK ZINC)	
33	2	M10 SERRATED FLANGE NUT (RAW OR BLACK ZINC)	ITEMS 31-35 ARE STAINLESS STEEL
34	4	M12 BELLVILLE WASHER (RAW OR BLACK ZINC)	
35	4	M12 HEX SOCKET BUTTON HEAD SCREW (RAW OR BLACK ZINC)	
36,37	2	UPPER STRAP BRACKET FOR BODY STYLE "B" DRIVER (36) AND PASSENGER (37)	
ANTI-SEIZE LUBRICANT MUST BE USED ON ALL STAINLESS STEEL FASTENERS TO PREVENT THREAD DAMAGE AND GALLING			

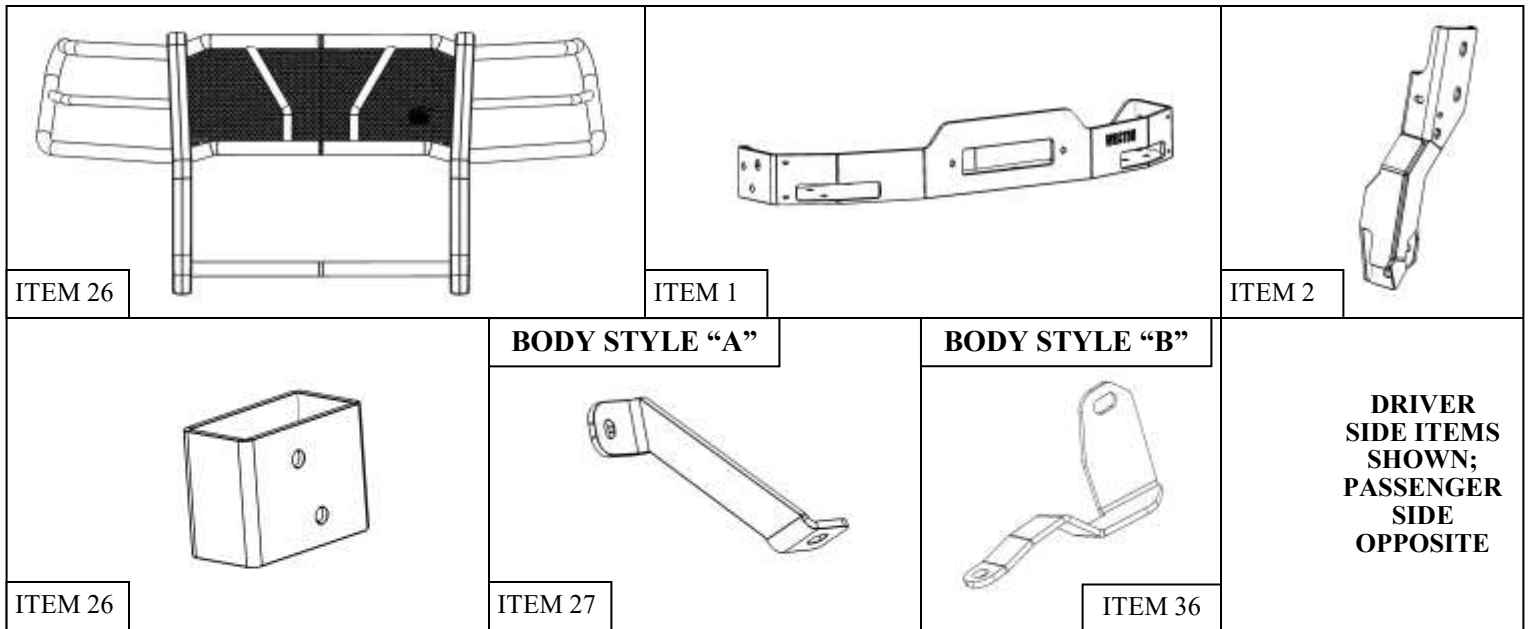


Westin Automotive Products, Inc.
320 W. Covina Blvd
San Dimas, Ca. 91773

Thank you for choosing Westin products
for additional installation assistance please call
Customer Service (800) 793-7846

www.westinautomotive.com

DATE: 02/20/2024

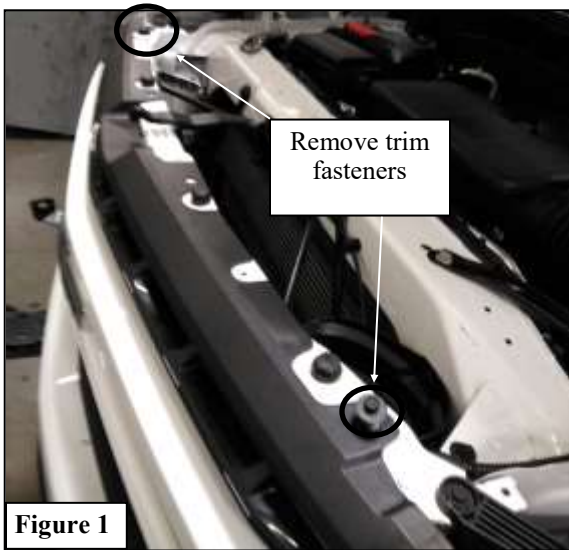


PROCEDURE

1. Remove contents from box, verify if all parts listed are present and free from damage. Carefully read and understand all instructions before attempting installation.
Failure to identify damage before installation could lead to a rejection of any claim.

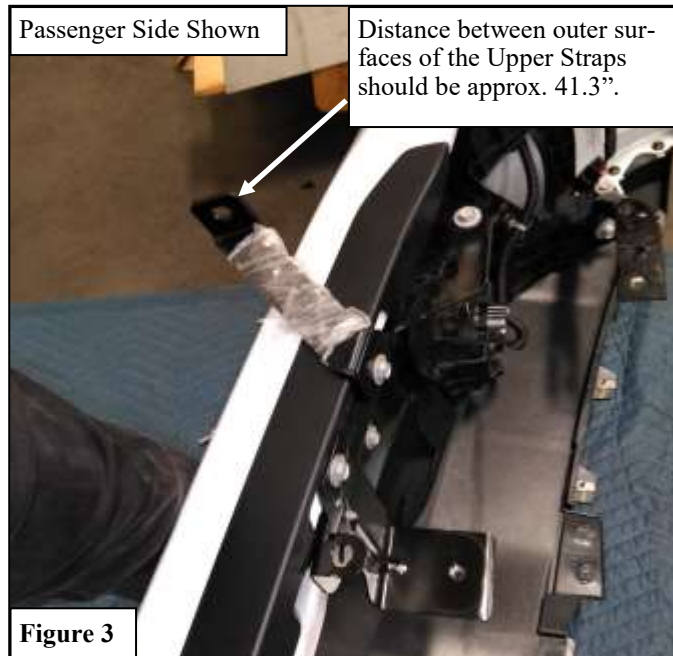
Body Style "A" Instructions
Skip to step 18 if the grille guard is not being installed

2. Begin by removing the plastic trim fasteners holding the grille in place. Also detach the clips of the wings of the grille. See **Figures 1 & 2**.
3. Remove the grille by pulling firmly and carefully at the bottom of the grille.



4. Use the OEM hardware to secure the Upper Strap Brackets (items 27-28) to the bumper. *Note: Bumper shown off vehicle for viewing purposes.* See **Figure 3**.
5. Reinstall the grille.

Skip to Step 18



Body Style "B" Instructions
Skip to step 18 if the grille guard is not being installed

6. Remove the fasteners retaining the panel above the bumper from the inside of the wheelwells. See **Figure 4**.
7. Remove the trim panel from the clips near the headlights. Use a pry tool if necessary. See **Figure 5**.



Figure 4



Figure 5

8. On both sides of the vehicle, use a pry tool to remove the trim panel from the clips shown below. See **Figures 6-7**.
9. Remove the trim panel above the bumper.
10. Remove the fasteners retaining the grille.
11. Remove the grille from the clips above the headlights.
12. Remove the grille by loosen the top area, then firmly pulling it away from the vehicle.



Figure 6



Figure 7



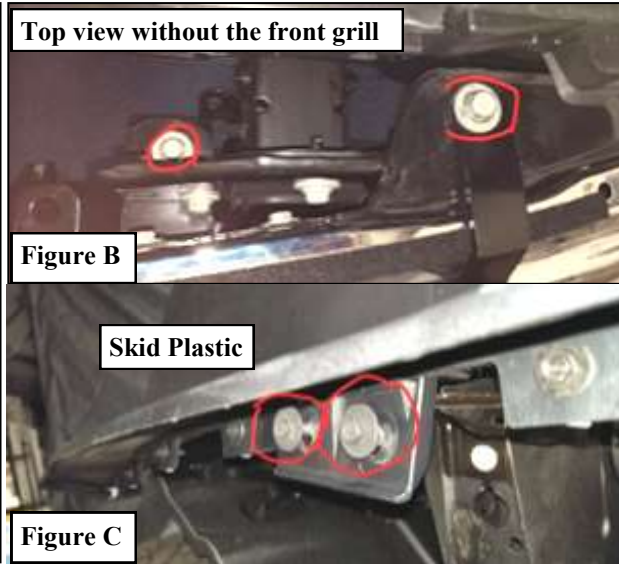
Westin Automotive Products, Inc.
320 W. Covina Blvd
San Dimas, Ca. 91773

Thank you for choosing Westin products
for additional installation assistance please call
Customer Service (800) 793-7846

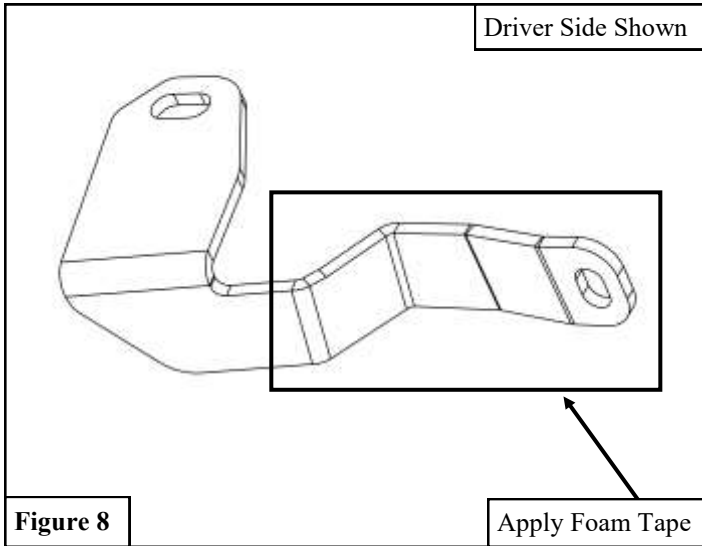
****INSTALLING ON A 2024 1500 SILVERADO**.**

Proceed to the next page on earlier vehicles

- a. Bumper must be removed by removing the bolts per Images “A, B and C” to install the brackets 2 and 3 per Page 7.
- b. Trim tow hook cover per image “D”
- c. Follow directions to install the brackets 2 and 3 on Page 7.
- d. Install the OE bumper back.
- e. Proceed with the installation to the next page.

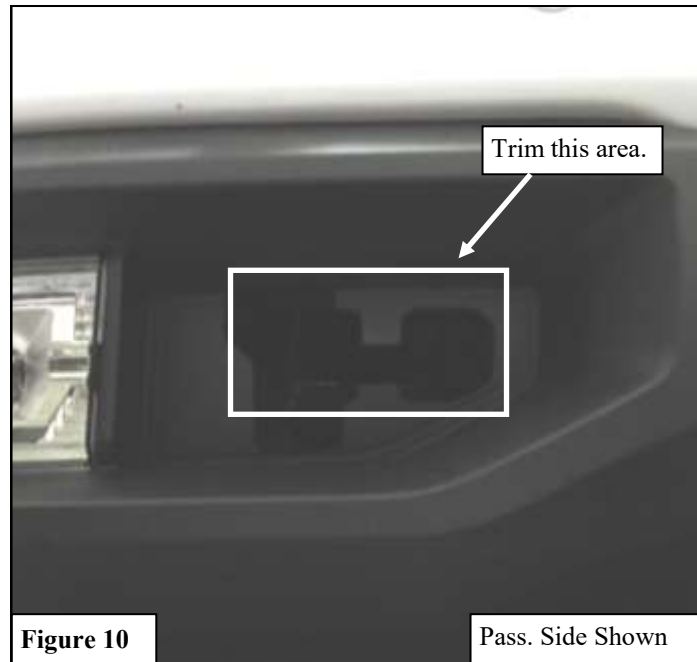


10. Trim and apply foam tape to the upper support straps (items 17-18). See **Figure 8**.
11. Use the OEM hardware to install the upper support straps to the bumper. See **Figure 9**.
12. Adjust the support straps and torque the OEM hardware to 32 ft-lbs.



16. Reinstall the grille.
17. Reinstall the trim panel above the bumper.

18. Trim the factory trim area to fit the Winch Tray Mounting Bracket (items 2-3). See **Figure 10**.



19. Insert the Winch Tray Mounting Bracket (items 2-3) into the frame. Use the supplied M10 & M12 Fish Wires to insert the M10 and M12 Bolt Plates into their positions. See **Figure 11**. *Note: The Plastic Retainer Squares (items 23-24) may be used to hold the bolt plates in place.*
20. Use the supplied Large Spacer Washer (item 6) along with the supplied M10 and M12 Hardware to finish installing the Winch Tray Mounting Brackets (item 2-3). See **Figures 12 & 13**. *Note: Leave hardware loose until end of install.*

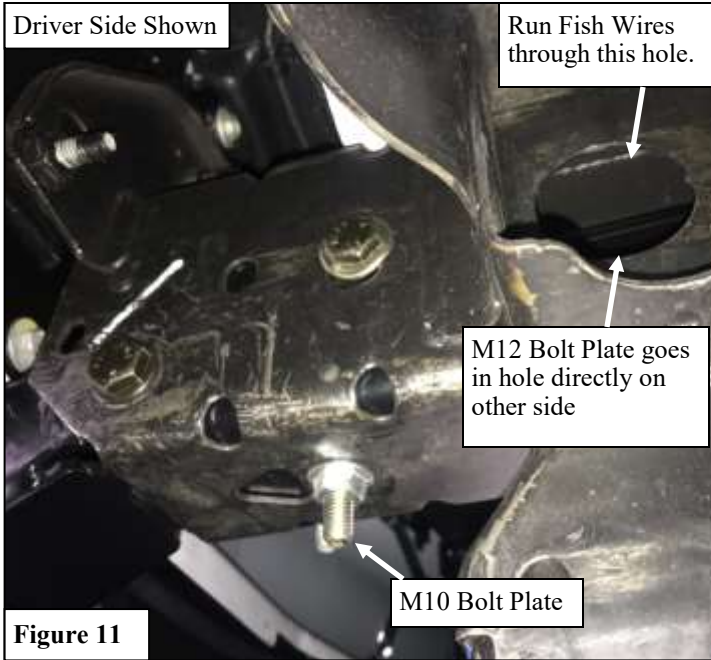


Figure 11

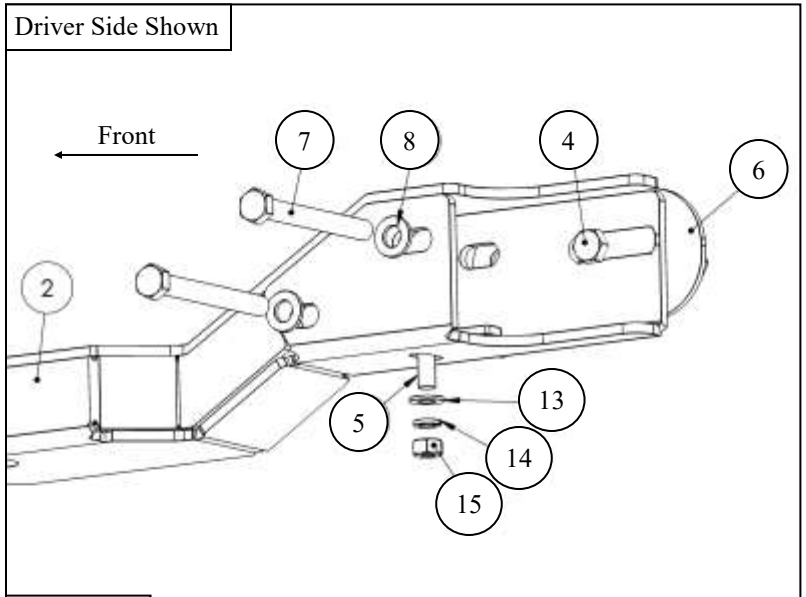


Figure 12

Bracket installs to frame using hardware shown

21. Loosely install the Winch Tray to the mounting brackets using the supplied M10 hardware (items 16 and 17) and the supplied M12 hardware (items 18-20) See **Figure 14**.

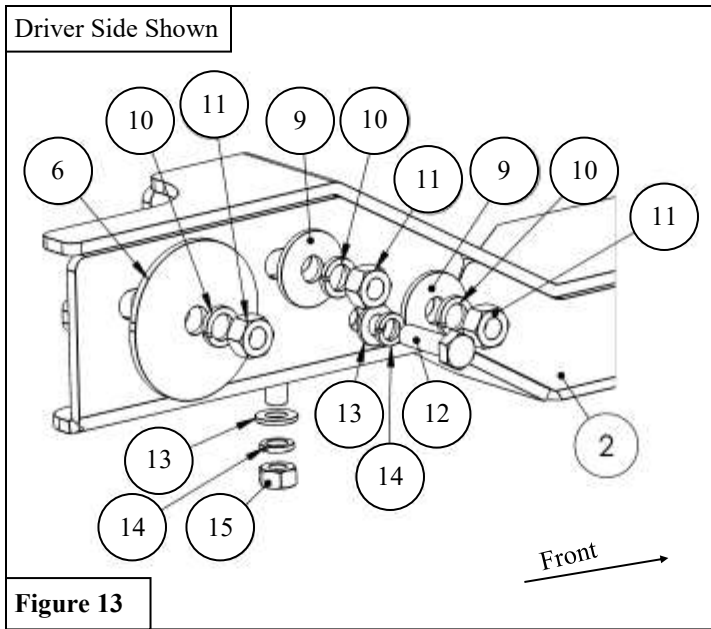


Figure 13

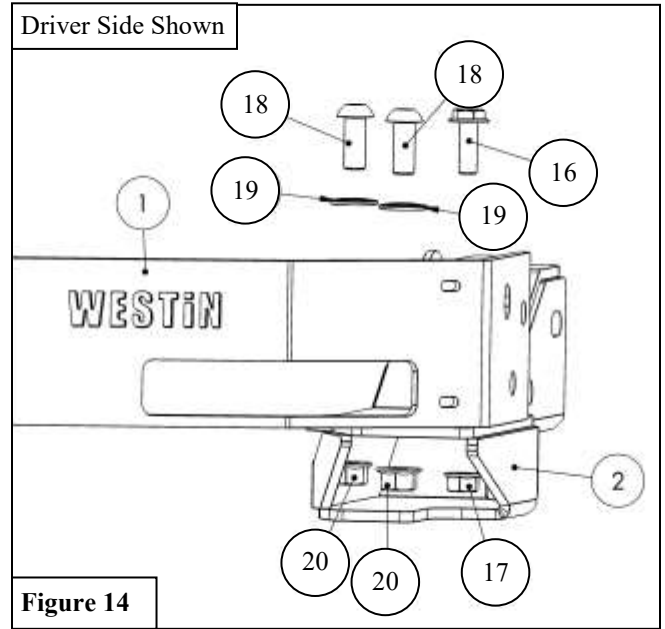
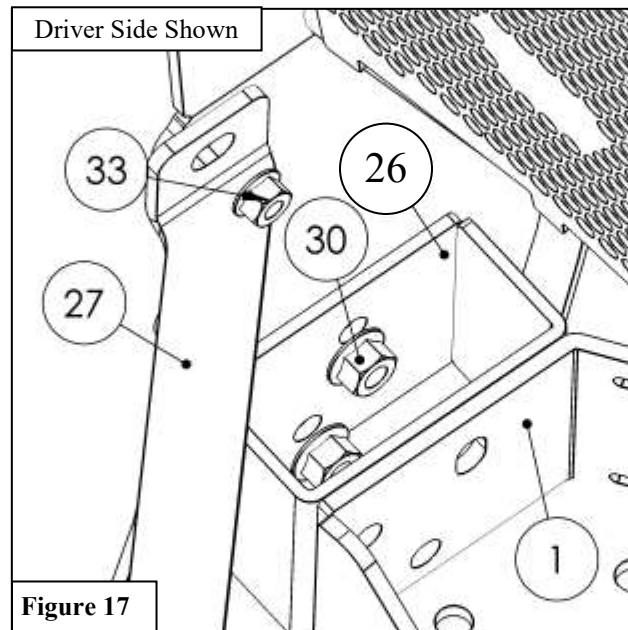
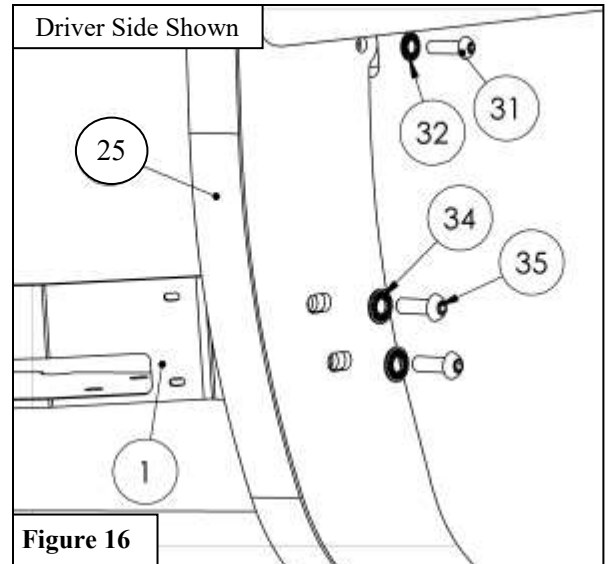
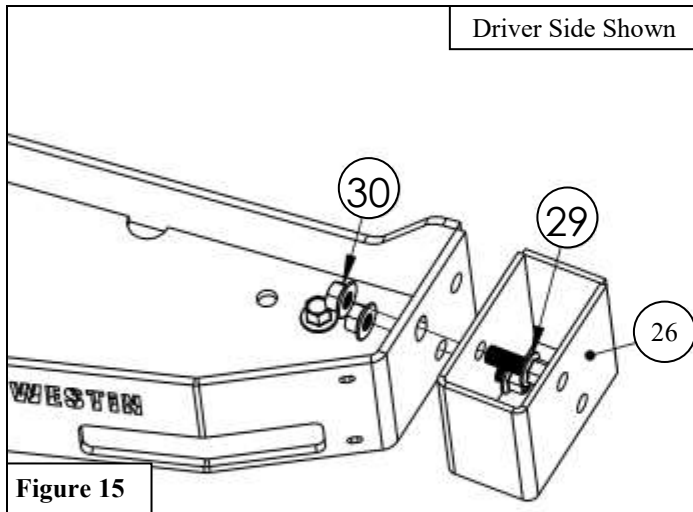


Figure 14

WINCH TRAY INSTALLATION COMPLETE

GRILLE GUARD INSTALLATION

22. Locate and attach both Spacer Brackets (item 26) to the Winch Tray using (4) M12 hex head flange bolt and (4) M12 hex head serrated flange nut. See **Figure 15**.
23. Install Winch per Winch Manufacturer's Instructions. *Note: It may be very difficult to install the winch after the Grille Guard has been installed.*
24. With assistance, loosely install the Grille Guard Assembly (item 25) onto the previously installed spacer brackets. Loosely bolt the Grille Guard to the Top Support Straps (items 27-28 or 36-37) using the supplied M12 hardware. See **Figures 16-17**.
25. Align and adjust the Grille Guard Assembly as necessary. Tighten all remaining hardware: M10 to 30-35 ft-lbs and M12 to 50-55 ft-lbs.



CARE INSTRUCTIONS

- REGULAR WAXING IS RECOMMENDED. DO NOT USE ANY TYPE OF POLISH OR WAX THAT MAY CONTAIN ABRASIVES.
- STAINLESS STEEL PRODUCTS CAN BE CLEANED WITH MILD SOAP AND WATER. STAINLESS STEEL POLISH SHOULD BE USED TO POLISH SMALL SCRATCHES.
- GLOSS BLACK FINISHES SHOULD BE CLEANED WITH MILD SOAP AND WATER.

INSTALLATION COMPLETE



Winch Sold Separately

WESTIN

Westin Automotive Products, Inc.
320 W. Covina Blvd
San Dimas, Ca. 91773

P.N.: 75-5793955A-RevE

ECO #: W24-00998

9

Thank you for choosing Westin products
for additional installation assistance please call
Customer Service (800) 793-7846
www.westinautomotive.com

DATE: 02/20/2024



WARNING



Failure to follow these instructions could lead to death, personal injury, and / or property damage.

Failure to follow these instructions could lead to death, personal injury, and / or property damage.

FASTENERS:

All Westin supplied fasteners must be utilized and installed in accordance with the installation instructions and apply torque to the specifications as defined. **DOUBLE CHECK ALL FASTENERS BEFORE INITIAL USE, AND PERIODICALLY IN THE FUTURE TO ENSURE PROPER FUNCTION AND SAFETY.**

DRILLING:

Most Westin products do not require drilling for installation. If drilling is defined as required, use caution when drilling a vehicle. **FAILURE TO REVIEW AN AREA TO BE DRILLED MAY RESULT IN PERSONAL INJURY AND/OR INJURY TO OTHERS AS WELL AS VEHICLE DAMAGE.**

EYE PROTECTION:

ALWAYS WEAR SAFETY GLASSES OR GOGGLES DURING THE INSTALLATION PROCESS TO AVOID PERSONAL INJURY.

MAXIMUM TOWING/CARRYING CAPACITY: (if applicable)

The Westin Receiver Hitches will have a visible tow rating label affixed directly on the product. User should never exceed the vehicle manufacturers maximum tow and weight rating regardless of the capacity of the hitch. **FAILURE TO FOLLOW THESE GUIDELINES WILL VOID THE WESTIN WARRANTY AND MAY RESULT IN PERSONAL INJURY AND/OR INJURY TO OTHERS AS WELL AS VEHICLE DAMAGE.**

FOR CALIFORNIA RESIDENTS ONLY-PROP 65 WARNING:

Some products may contain chemicals such as DEHP, which can cause cancer, birth defects or other reproductive harm. For more info go to www.p65warnings.ca.gov



Westin Automotive Products, Inc.
320 W. Covina Blvd
San Dimas, Ca. 91773