



# INSTALLATION INSTRUCTIONS

## HDX Winch Mount Grille Guard

### APPLICATION:

2015-2020 Chevrolet Tahoe/Suburban (Excl. Suburban 2500HD/3500HD)

### PART NUMBER:

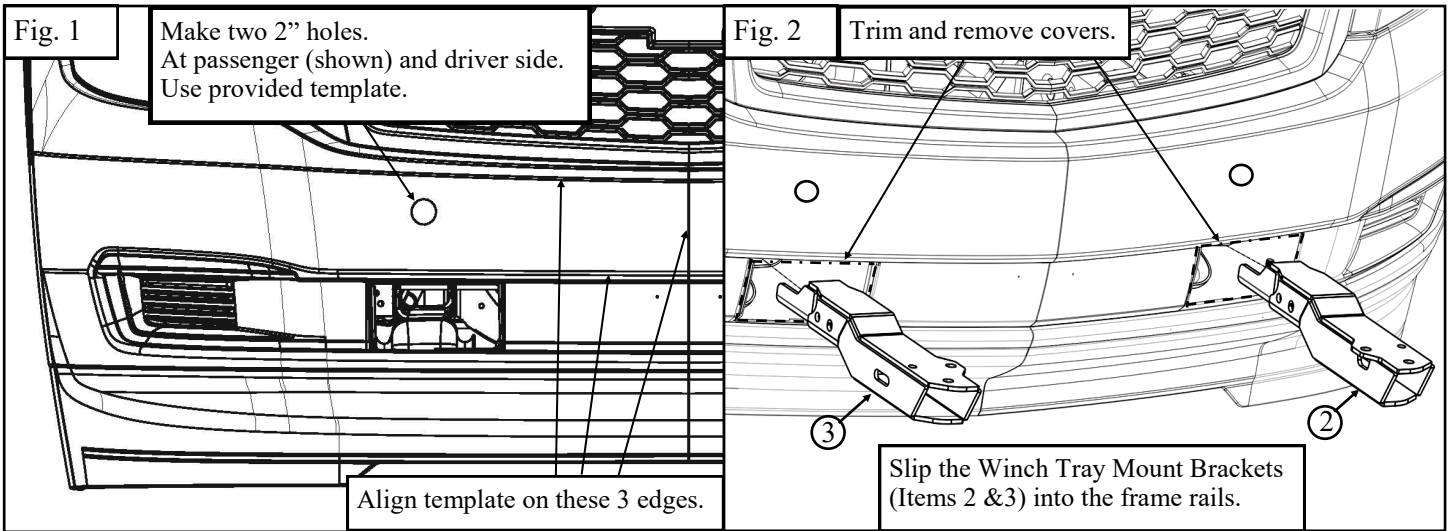
Winch Tray Kit: 46-23805  
Grille Guard Kit: 57-93805A

**Kit Number: 57-93805**

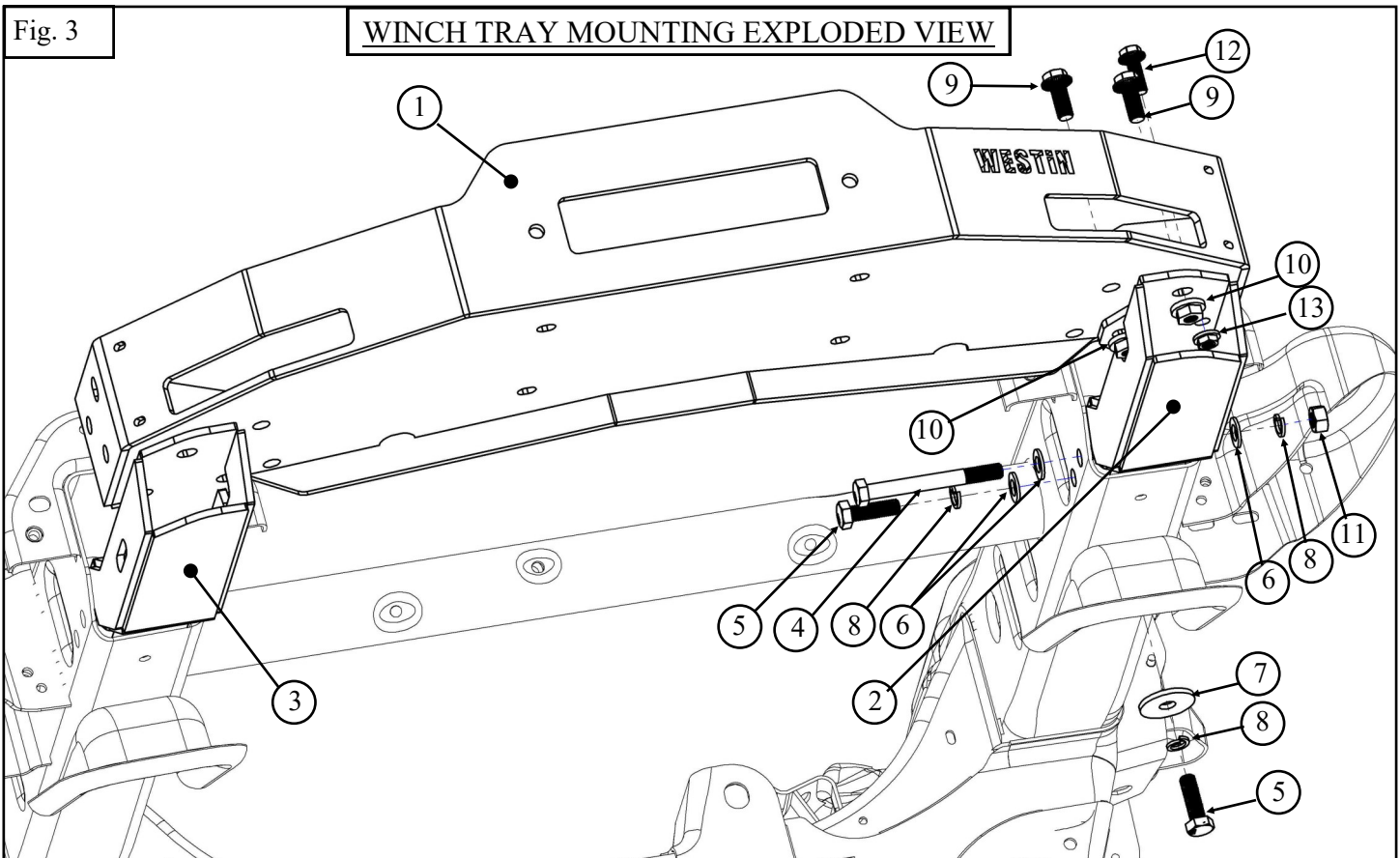
| ITEM  | QUANTITY | DESCRIPTION  | TOOLS NEEDED  |
|---|----------|--|---------------|
| 1   | 1        | WINCH TRAY (46-23805)                                | RATCHET       |
| 2,3   | 2        | WINCH TRAY MOUNTING BRACKETS (DRV & PASS) (46-23805) | 15MM WRENCH   |
| 4   | 2        | M12 HEX BOLTS (LONG)                                 | 15MM SOCKET   |
| 5   | 4        | M12 HEX BOLTS (SHORT)                                | ALLEN WRENCH  |
| 6   | 6        | M12 FLAT WASHERS (NARROW)                            | 18MM SOCKET   |
| 7   | 2        | M12 FLAT WASHERS (WIDE)                              | 16MM SOCKET   |
| 8   | 6        | M12 LOCK WASHERS                                     | 16MM WRENCH   |
| 9   | 4        | M12 FLANGE BOLTS                                     | RATCHET EXT.  |
| 10  | 4        | M12 FLANGE NUTS                                      | TORQUE WRENCH |
| 11  | 2        | M12 HEX NUTS   | 2" HOLE SAW   |
| 12  | 2        | M10 FLANGE BOLTS                                     | DRILL MOTOR   |
| 13  | 2        | M10 FLANGE NUTS                                      |               |
| 14  | 1        | HDX GRILLE GUARD (57-93805 ONLY)                     |               |
| HARDWARE ITEMS BELOW ARE INCLUDED WITH THE GRILLE GUARD KIT |          |  |               |
| 15  | 1        | DRILL TEMPLATE (DRV & PASS)                          |               |
| 16,17   | 2        | UPPER MOUNT BRACKET (DRV & PASS) (57-93805 ONLY)     |               |
| 18  | 2        | SPACER   |               |
| 19  | 2        | M10 SOCKET HEAD BOLT (57-93805 ONLY)                 |               |
| 20  | 2        | M10 CUPPED WASHER STAINLESS (57-93805 ONLY)          |               |
| 21  | 2        | M12X45MM BUTTON HEAD BOLT STAINLESS (57-93805 ONLY)  |               |
| 22  | 4        | M12X35MM BUTTON HEAD BOLT STAINLESS (57-93805 ONLY)  |               |
| 23  | 6        | M12 FLANGE HEX NUT STAINLESS (57-93805 ONLY)         |               |
| 24  | 6        | M12 CUPPED FLAT WASHER STAINLESS (57-93805 ONLY)     |               |

### ANTI-SEIZE LUBRICANT MUST BE USED ON ALL STAINLESS STEEL FASTENERS TO PREVENT THREAD DAMAGE AND GALLING.

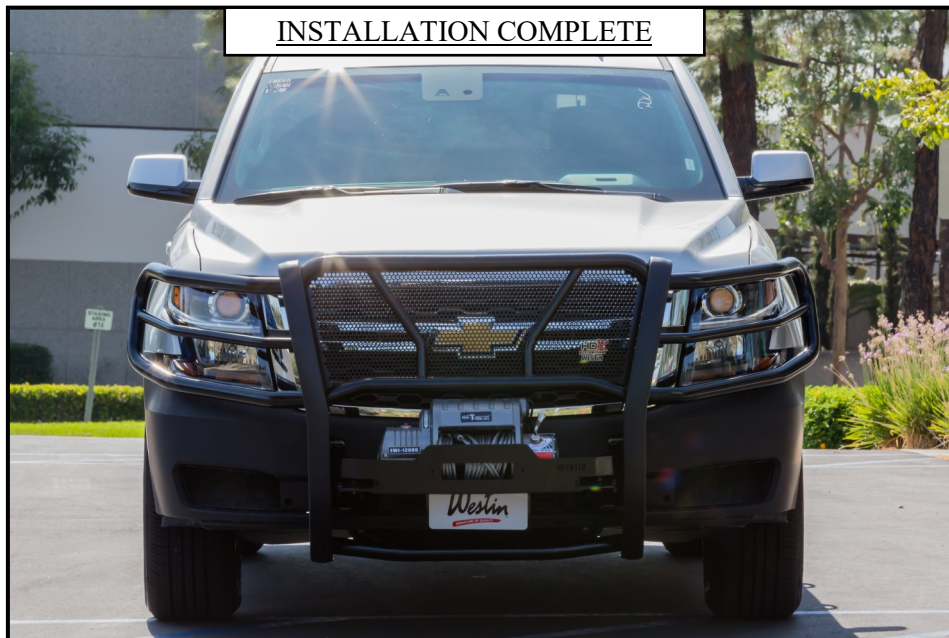
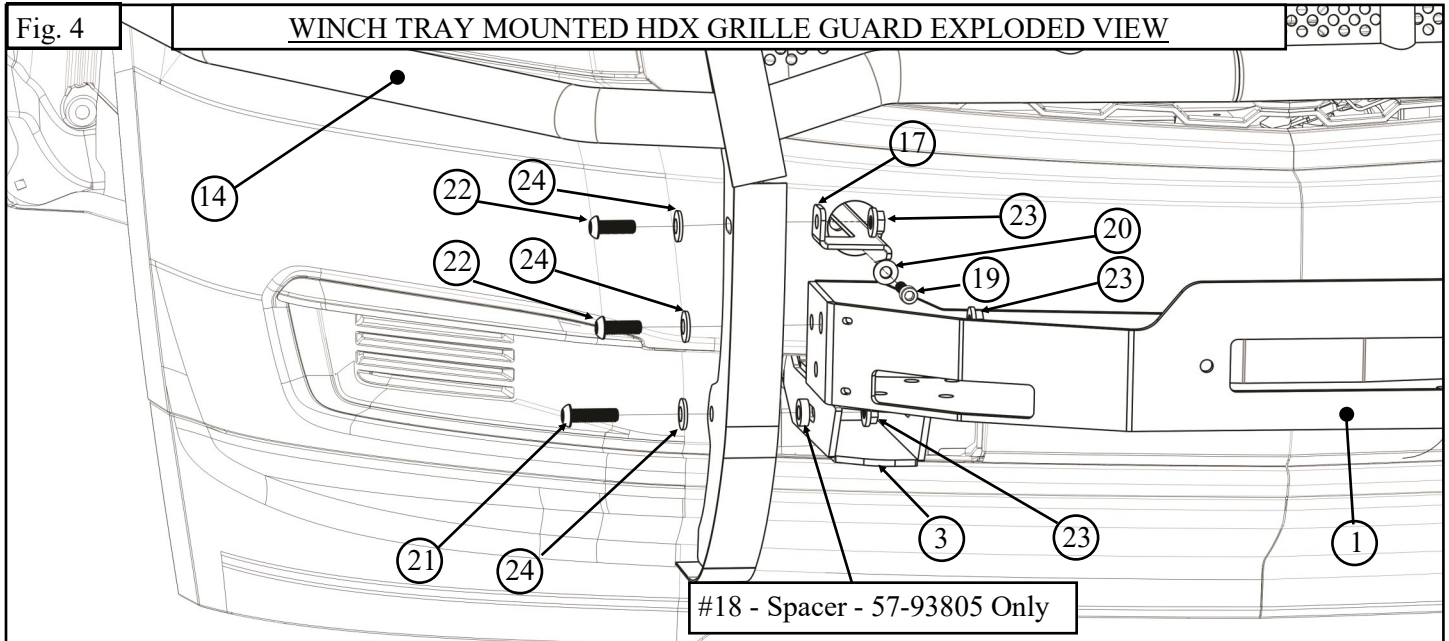
1. Remove contents from box, verify if all parts listed are present and free from damage. Carefully read and understand all instructions before attempting installation.
2. If equipped, remove the factory tow hooks.
3. Remove plastic splash guards from beneath vehicle.
4. Use the template provided with this kit to make a center mark (Item 25). Use a 2" hole saw to cut a hole at the center mark (Figure 1). Remove the exposed M10 bolt from on each side of the bumper.



5. Trim tow access cover. (Figure 2).
6. Slip the supplied winch tray mounting brackets (2 & 3) into the frame rails (Figure 2) and loosely secure them with the supplied M12 hardware (Figure 3).
7. Loosely install the Winch Tray to the mounting brackets using the supplied M10 and M12 hardware (Figure 3).
8. Tighten and torque M10 hardware to 30-35 ft-lbs, M12 to 50-55 ft-lbs. (Skip this step if installing a grill guard).
9. Install the winch per the winch manufacturer's instructions. Note: Many winches cannot be installed once the grille guard has been bolted in place.



10. Loosely install the upper mount brackets through the holes previously made (Items 16 & 17 shown) using the M10 socked head bolts and cupped washers (Figure 4).
11. With the help of an assistant, install the grill guard using the button head bolts (Items 21 & 22) as shown in (Figure 4).
12. Align and adjust as needed.
13. Tighten and torque all remaining hardware; M10 to 30-35 ft-lbs., M12 to 50-55 ft-lbs.



**CARE INSTRUCTIONS**

- REGULAR WAXING IS RECOMMENDED. DO NOT USE ANY TYPE OF POLISH OR WAX THAT MAY CONTAIN ABRASIVES.
- STAINLESS STEEL PRODUCTS CAN BE CLEANED WITH MILD SOAP AND WATER. STAINLESS STEEL POLISH SHOULD BE USED TO POLISH SMALL SCRATCHES.
- GLOSS BLACK FINISHES SHOULD BE CLEANED WITH MILD SOAP AND WATER.

**WESTIN** Westin Automotive Products, Inc.  
 320 Covina Blvd  
 San Dimas, Ca. 91773

Thank You for choosing Westin products  
 For Additional installation assistance please call  
 Customer service (800) 793-7846  
[www.westinautomotive.com](http://www.westinautomotive.com)



## WARNING



Failure to follow these instructions could lead to death, personal injury, and / or property damage.

Failure to follow these instructions could lead to death, personal injury, and / or property damage.

### FASTENERS:

All Westin supplied fasteners must be utilized and installed in accordance with the installation instructions and apply torque to the specifications as defined. **DOUBLE CHECK ALL FASTENERS BEFORE INITIAL USE, AND PERIODICALLY IN THE FUTURE TO ENSURE PROPER FUNCTION AND SAFETY.**

### DRILLING:

Most Westin products do not require drilling for installation. If drilling is defined as required, use caution when drilling a vehicle. **FAILURE TO REVIEW AN AREA TO BE DRILLED MAY RESULT IN PERSONAL INJURY AND/OR INJURY TO OTHERS AS WELL AS VEHICLE DAMAGE.**

### EYE PROTECTION:

**ALWAYS WEAR SAFETY GLASSES OR GOGGLES DURING THE INSTALLATION PROCESS TO AVOID PERSONAL INJURY.**

### MAXIMUM TOWING/CARRYING CAPACITY: (if applicable)

The Westin Receiver Hitches will have a visible tow rating label affixed directly on the product. User should never exceed the vehicle manufacturers maximum tow and weight rating regardless of the capacity of the hitch. **FAILURE TO FOLLOW THESE GUIDELINES WILL VOID THE WESTIN WARRANTY AND MAY RESULT IN PERSONAL INJURY AND/OR INJURY TO OTHERS AS WELL AS VEHICLE DAMAGE.**

### FOR CALIFORNIA RESIDENTS ONLY-PROP 65 WARNING:

Some products may contain chemicals such as DEHP, which can cause cancer, birth defects or other reproductive harm. For more info go to [www.p65warnings.ca.gov](http://www.p65warnings.ca.gov)