



INSTALLATION INSTRUCTIONS

HDX WINCH MOUNT MODULAR GRILLE GUARD

APPLICATION:

F-150 2021-2022 (Excl. Lightning & Raptor)

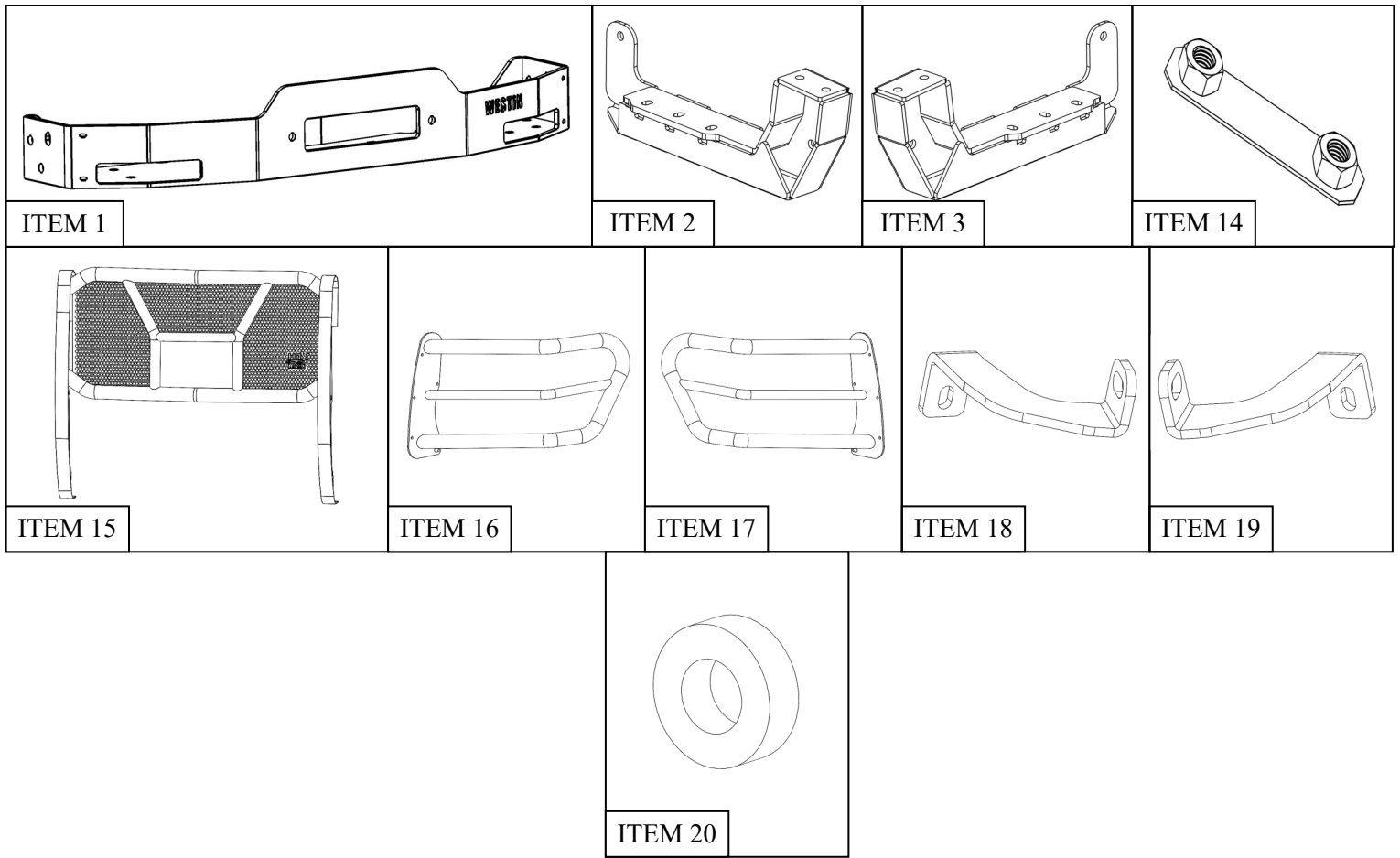
PART NUMBER:

Grille Guard Kit: 57-924065A (2021-2022)

Winch Tray Kit: 46-23835
Kit Number: 57-924065

ITEM	QUANTITY	DESCRIPTION	TOOLS NEEDED
1	1	WINCH TRAY (46-23835)	14MM SOCKET
2	1	DRIVER SIDE LOWER MOUNTING BRACKET	15MM SOCKET
3	1	PASSENGER SIDE LOWER MOUNTING BRACKET	18MM SOCKET
4	2	M12 HEX NUT	UTILITY KNIFE
5	6	SHORT M12 HEX HEAD BOLT	PRY TOOL
6	8	SMALL M12 FLAT WASHER	ALLEN WRENCH
7	8	M12 SPLIT LOCK WASHER	SOCKET EXT.
8	2	LONG M12 HEX HEAD BOLT	RATCHET
9	2	LARGE M12 FLAT WASHER	TORQUE WRENCH
10	4	M12 HEX NUT (BLACK ZINC)	
11	4	SHORT M12 HEX HEAD BOLT (BLACK ZINC)	
12	8	M12 FLAT WASHER (BLACK ZINC)	
13	4	M12 SPLIT LOCK WASHER (BLACK ZINC)	
14	4	DOUBLE NUT PLATE	
15	1	HDX GRILLE GUARD BASE	
HARDWARE ITEMS BELOW ARE INCLUDED WITH THE GRILLE GUARD KIT			
16	1	HDX DRIVER WING	
17	1	HDX PASSENGER WING	
18	1	DRIVER UPPER SUPPORT STRAP	
19	1	PASSENGER UPPER SUPPORT STRAP	
20	2	8MM SPACER	
21	2	M8 HEX HEAD BOLT	
22	2	M8 SPLIT LOCK WASHER	
23	2	M8 FLAT WASHER	
24	4	M12 HEX SOCKET BUTTON HEAD BOLT (BLACK ZINC)	
25	4	M12 BELLVILLE WASHER (BLACK ZINC)	
26	4	M12 SERRATED FLANGE NUT (BLACK ZINC)	
27	8	M8 HEX SOCKET BUTTON HEAD BOLT (BLACK ZINC)	
28	8	M8 BELLVILLE WASHER (BLACK ZINC)	
29	8	M8 SERRATED FLANGE NUT (BLACK ZINC)	
30	2	M10 HEX SOCKET BUTTON HEAD BOLT (BLACK ZINC)	
31	2	M10 BELLVILLE WASHER (BLACK ZINC)	
32	2	M10 SERRATED FLANGE NUT (BLACK ZINC)	

ANTI-SEIZE LUBRICANT MUST BE USED ON ALL STAINLESS STEEL FASTENERS TO PREVENT THREAD DAMAGE AND GALLING



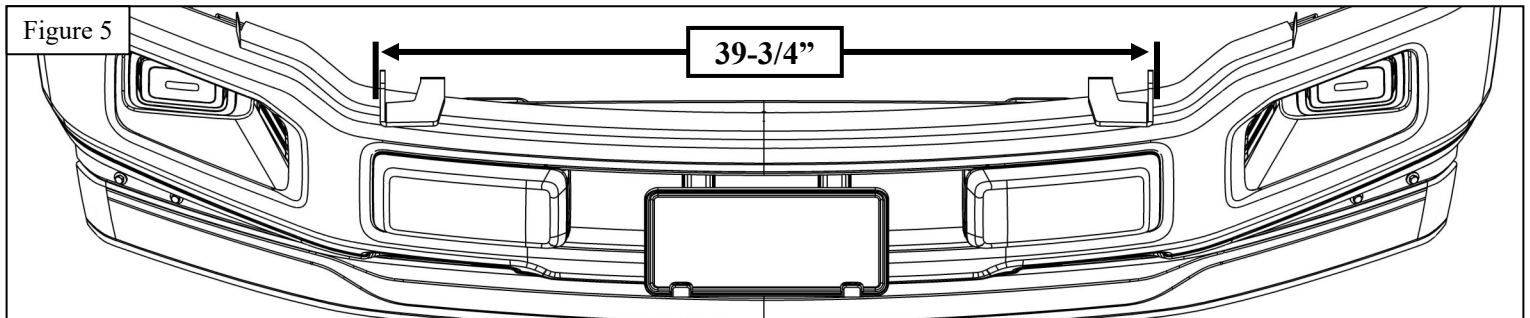
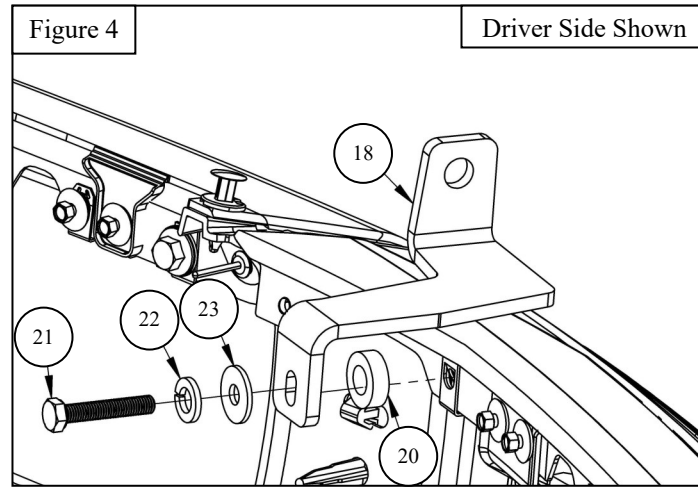
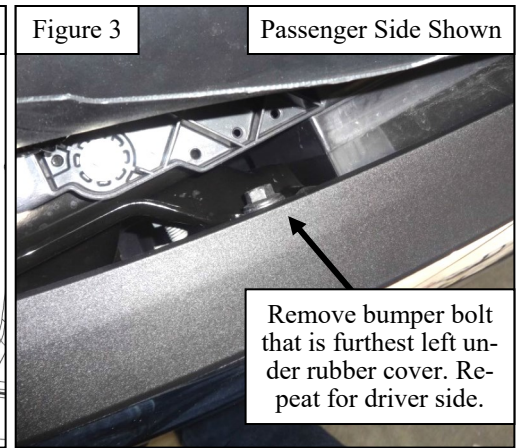
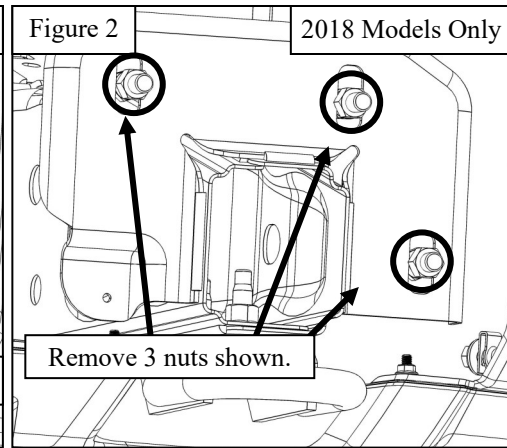
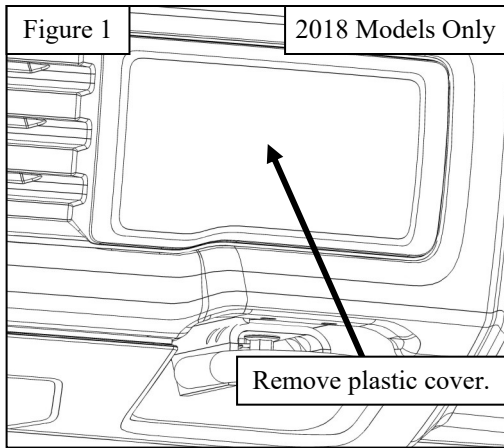
PROCEDURE

1. Remove contents from box, verify if all parts listed are present and free from damage. Carefully read and understand all instructions before attempting installation.
Failure to identify damage before installation could lead to a rejection of any claim.

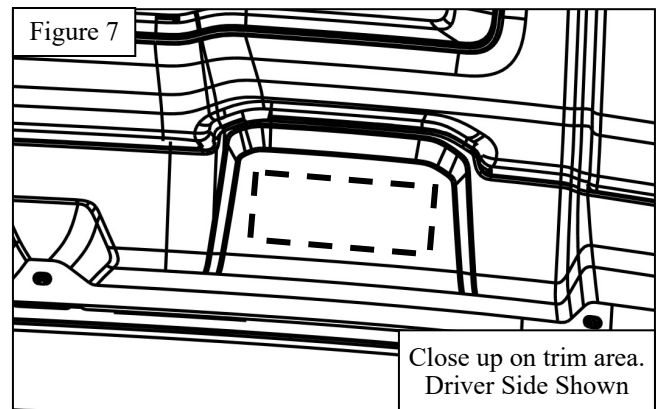
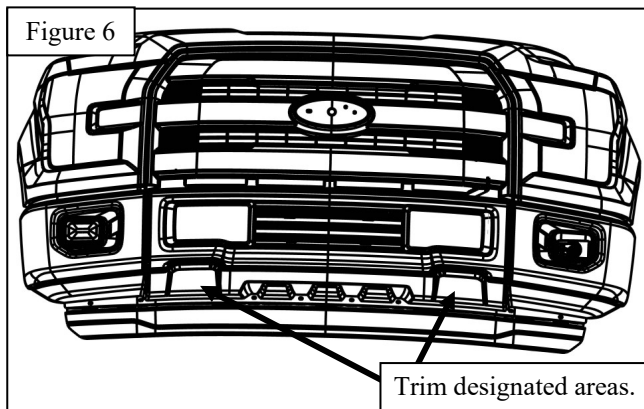
MODULAR GRILLE GUARD INSTALLATION ONLY (Steps 2-5 / 14-15)

Skip to Step 6 if Modular Grille Guard is not being installed.

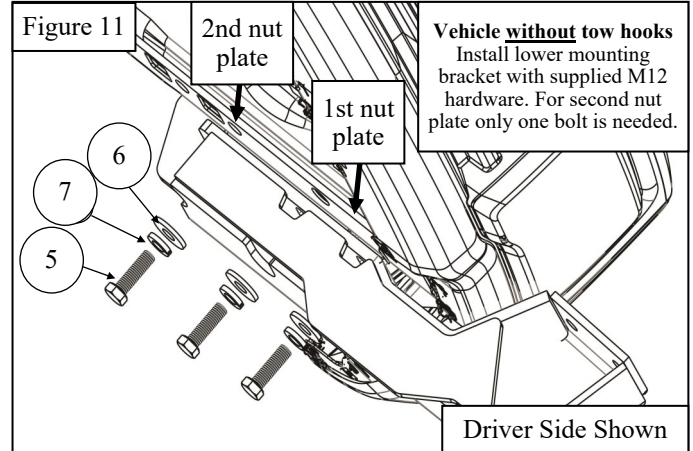
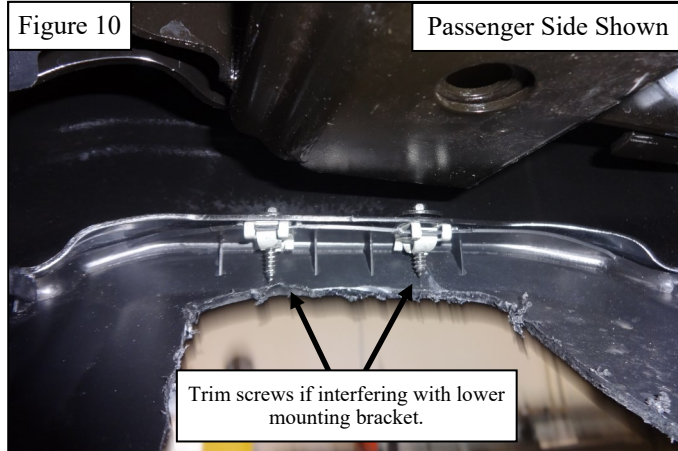
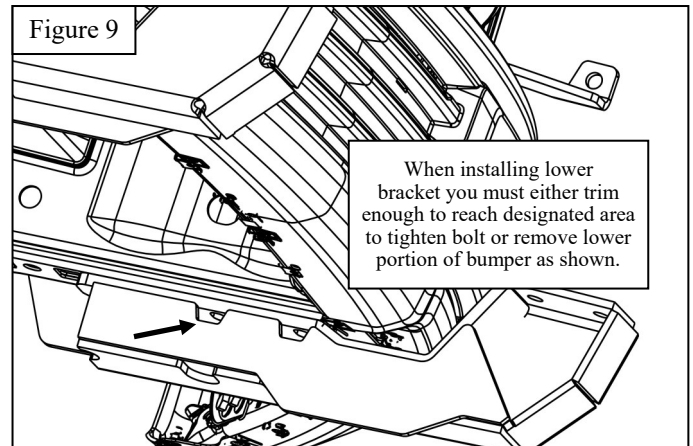
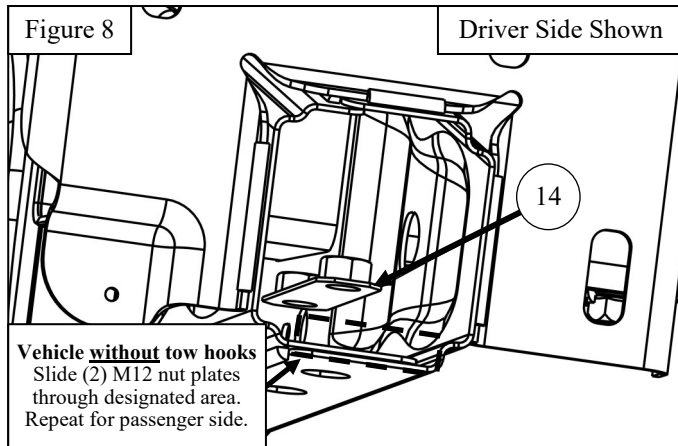
2. Remove the plastic covers that are located above the location of the tow hooks to expose (3) nuts on each side. Remove the nuts in order to remove the front bumper. See **Figures 1 & 2** for reference.
3. Remove the factory bumper bolt as shown in **Figure 3**. Install the Upper Support Straps (Items 18-19) using the supplied M8 hardware (Items 21-23). **Note:** Make sure the brackets are approximately 39-3/4" apart from outer bracket flange. For the 2018-2020 model, make sure to lay the bracket firmly on top of the rubber strip that is on top of the bumper. Tighten and torque M8 hardware to 15-18 ft-lbs. See **Figures 4 & 5** for reference.
4. ITEM 20 M8 spacer is optional, use if there is space between bracket flange and mount location. **Figure 4.**



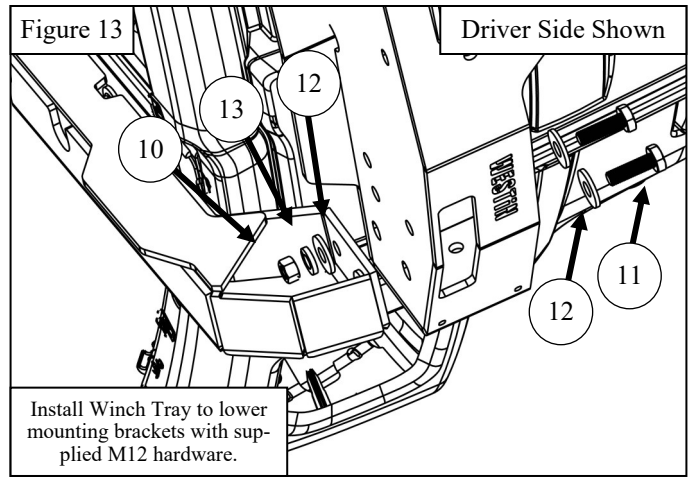
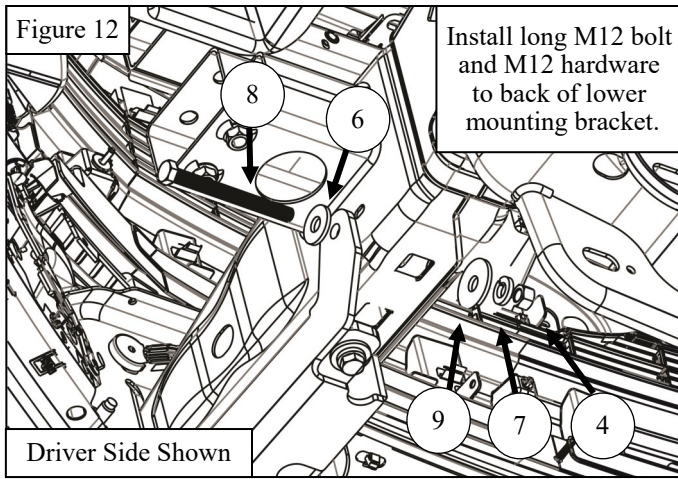
5. For vehicles without factory tow hooks: Trim the plastic in the areas as shown in Figures 6 & 7. Repeat for the passenger side.



6. For vehicles **without** factory tow hooks: Slip the M12 Double Nut Plates (Item 14) into each frame rail and line up with existing holes. See **Figure 8** for reference. Guide the nut plates with a magnet or screwdriver and align them with the holes shown in **Figure 11**. **Note:** The rear nut plate will only need to be installed with one bolt.
7. For vehicles **without** factory tow hooks: Loosely install the Lower Mounting Brackets (Items 2 & 3) using the supplied M12 hardware as shown in **Figure 11**. **Note:** Trimming of screws may be required if they interfere with lower mounting bracket. See **Figure 10** for reference. Also, The plastic valance which was trimmed in **step 2** may also need to be trimmed further to access a bolt with the ratchet when installing the lower mounting brackets, or the lower valance may be removed. See **Figure 9** for reference.
8. For vehicles **with** factory tow hooks: Remove the tow hooks and slip in the M12 double nut plates into the frame rail. Loosely install the Lower Mounting Brackets (Items 2 & 3) to factory nut plates and supplied nut plate using supplied M12 hardware shown in **Figure 11**. **Note:** Trimming of screws may be required if they interfere with lower mounting bracket. See **Figure 10** for reference. Also, The nut plate will only need to be installed with one bolt. See **Figure 9** for reference.



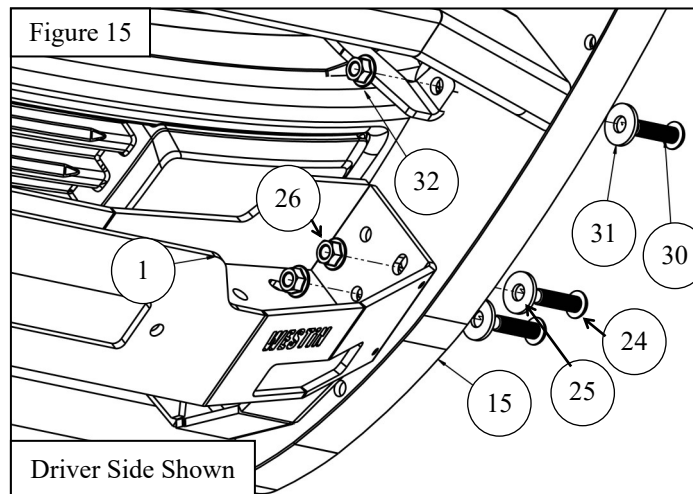
9. Loosely install the long M12 bolt (Item 8) and M12 hardware to the back of the lower mounting brackets. Use the large diameter washer with nut and smaller diameter washer with the bolt as shown in **Figure 12**.
10. Loosely install the Winch Tray to the lower mounting brackets using supplied M12 black zinc hardware. See **Figure 13** for reference.
11. Align and adjust the Winch Tray as needed, then tighten and torque the M12 hardware to 50-55ft-lbs. **Note:** Leave hardware loose if installing grille guard.
12. If installing a winch, install the winch to the winch tray per manufacturers instructions. See **Figure 14** for reference.



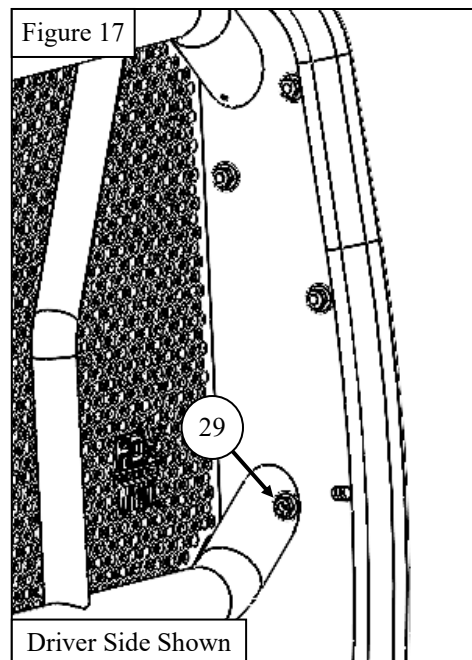
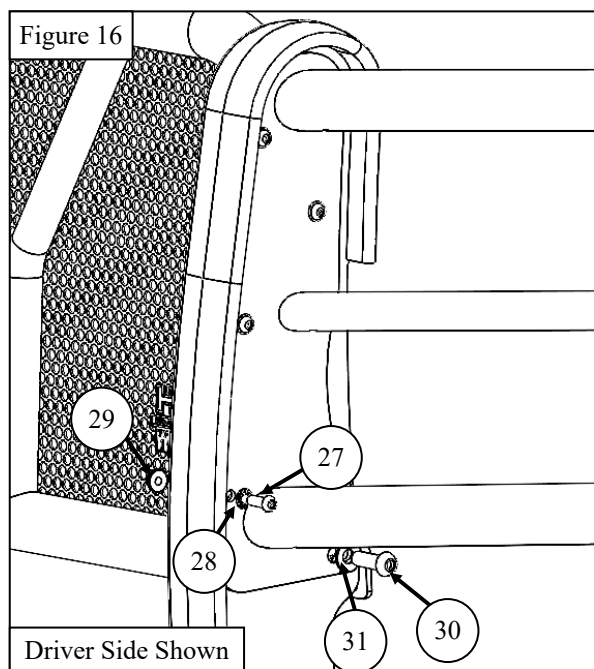
13. With assistance hold the Grille Guard Base (Item 15) up to the previously installed mounting brackets.

GRILLE GUARD INSTALLATION ONLY

14. Loosely attach the Grille Guard Base to the brackets using the supplied M12 hardware for the lower mounting brackets only. See **Figure 15** for reference.



15. Locate and mount the HDX Driver Wing (Item 16) to the Grille Guard Base using the supplied M8 Hardware (Items 19-21). **Note:** For the mounting hole shared with the upper Support Straps, the M10 Hardware will be used. See **Figures 16 & 17** for reference.
16. Repeat for the HDX Passenger Wing (Item 17).
17. Align and adjust the Grille Guard Base, Wings, Winch Tray, and mounting brackets as necessary. Tighten and torque the M8 hardware to 16-18 ft-lbs, M10 hardware to 30-25 ft-lbs, and the M12 hardware to 50-55 ft-lbs.



INSTALLATION COMPLETE



CARE INSTRUCTIONS

- REGULAR WAXING IS RECOMMENDED. DO NOT USE ANY TYPE OF POLISH OR WAX THAT MAY CONTAIN ABRASIVES.
- STAINLESS STEEL PRODUCTS CAN BE CLEANED WITH MILD SOAP AND WATER. STAINLESS STEEL POLISH SHOULD BE USED TO POLISH SMALL SCRATCHES.
- GLOSS BLACK FINISHES SHOULD BE CLEANED WITH MILD SOAP AND WATER.



WARNING



Failure to follow these instructions could lead to death, personal injury, and / or property damage.

Failure to follow these instructions could lead to death, personal injury, and / or property damage.

FASTENERS:

All Westin supplied fasteners must be utilized and installed in accordance with the installation instructions and apply torque to the specifications as defined. **DOUBLE CHECK ALL FASTENERS BEFORE INITIAL USE, AND PERIODICALLY IN THE FUTURE TO ENSURE PROPER FUNCTION AND SAFETY.**

DRILLING:

Most Westin products do not require drilling for installation. If drilling is defined as required, use caution when drilling a vehicle. **FAILURE TO REVIEW AN AREA TO BE DRILLED MAY RESULT IN PERSONAL INJURY AND/OR INJURY TO OTHERS AS WELL AS VEHICLE DAMAGE.**

EYE PROTECTION:

ALWAYS WEAR SAFETY GLASSES OR GOGGLES DURING THE INSTALLATION PROCESS TO AVOID PERSONAL INJURY.

MAXIMUM TOWING/CARRYING CAPACITY: (if applicable)

The Westin Receiver Hitches will have a visible tow rating label affixed directly on the product. User should never exceed the vehicle manufacturers maximum tow and weight rating regardless of the capacity of the hitch. **FAILURE TO FOLLOW THESE GUIDELINES WILL VOID THE WESTIN WARRANTY AND MAY RESULT IN PERSONAL INJURY AND/OR INJURY TO OTHERS AS WELL AS VEHICLE DAMAGE.**

FOR CALIFORNIA RESIDENTS ONLY-PROP 65 WARNING:

Some products may contain chemicals such as DEHP, which can cause cancer, birth defects or other reproductive harm. For more info go to www.p65warnings.ca.gov