



INSTALLATION INSTRUCTIONS

HDX WINCH MOUNT MODULAR GRILLE GUARD

APPLICATION:

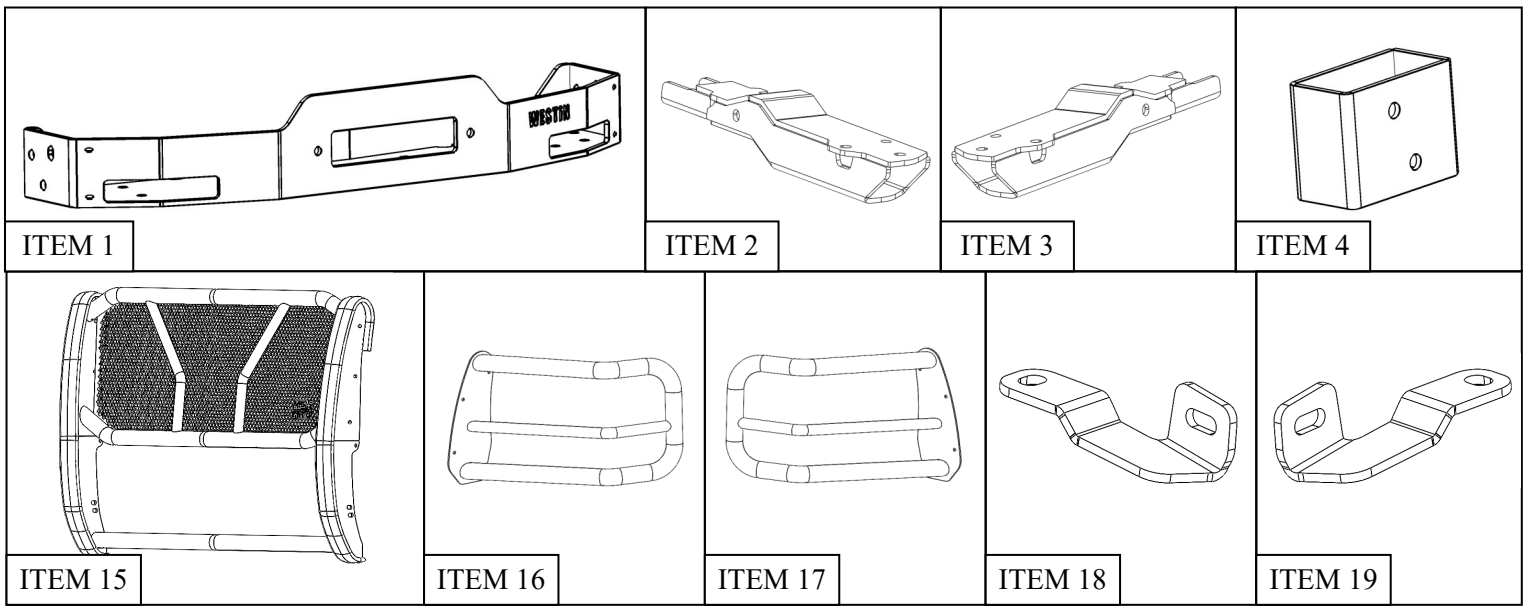
2016-2018 Chevrolet Silverado 1500, 2019 Silverado LD

PART NUMBER:

Grille Guard Kit: 57-923875A

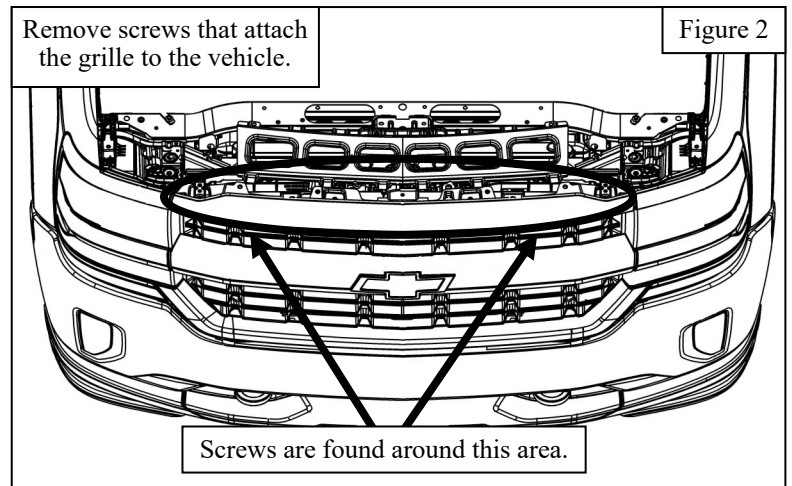
Kit Number: 57-923875
Winch Tray Kit: 46-23875

CONTENT			
ITEM	QUANTITY	DESCRIPTION	TOOLS NEEDED
1	1	WINCH TRAY (46-23875)	13MM SOCKET
2	1	DRIVER SIDE WINCH TRAY MOUNTING BRACKET	13MM WRENCH
3	1	PASSENGER SIDE WINCH TRAY MOUNTING BRACKET	17MM SOCKET
4	2	SPACER BRACKET (ONLY USED WITH WINCH TRAY GRILLE GUARD KITS)	17MM WRENCH
5	4	SHORT M12 HEX HEAD BOLT	19MM SOCKET
6	6	SMALL M12 FLAT WASHER	19MM WRENCH
7	6	M12 SPLIT LOCK WASHER	SCREWDRIVER
8	2	M12 HEX NUT	UTILITY KNIFE
9	2	LONG M12 HEX HEAD BOLT	RATCHET
10	2	M10 HEX HEAD FLANGE BOLT	TORQUE WRENCH
11	2	M10 SERRATED FLANGE HEX NUT	ALLEN WRENCH
12	2	LARGE M12 FLAT WASHER	
13	4	M12 HEX FLANGE BOLT	
14	4	M12 SERRATED FLANGE HEX NUT	
15	1	HDX GRILLE GUARD BASE	
HARDWARE ITEMS BELOW ARE INCLUDED WITH THE GRILLE GUARD KIT			
16	1	HDX DRIVER WING	
17	1	HDX PASSENGER WING	
18	1	DRIVER SIDE UPPER SUPPORT STRAP	
19	1	PASSENGER SIDE UPPER SUPPORT STRAP	
20	4	M12 HEX HEAD FLANGE BOLT (BLACK ZINC)	
21	8	M12 SERRATED FLANGE HEX NUT (BLACK ZINC)	
22	2	M10 HEX SOCKET BUTTON HEAD BOLT (RAW OR BLACK ZINC)	
23	4	M10 FLAT WASHER (RAW OR BLACK ZINC)	
24	2	M10 SPLIT LOCK WASHER (RAW OR BLACK ZINC)	
25	2	M10 HEX NUT (RAW OR BLACK ZINC)	
26	4	M12 FLAT WASHER (RAW OR BLACK ZINC)	
27	4	M12 HEX SOCKET BUTTON HEAD BOLT (RAW OR BLACK ZINC)	
28	10	M8 HEX SOCKET BUTTON HEAD BOLT (BLACK ZINC)	
29	10	M8 BELLVILLE WASHER (BLACK ZINC)	
30	10	M8 SERRATED FLANGE HEX NUT (BLACK ZINC)	
ANTI-SEIZE LUBRICANT MUST BE USED ON ALL STAINLESS STEEL FASTENERS TO PREVENT THREAD DAMAGE AND GALLING			

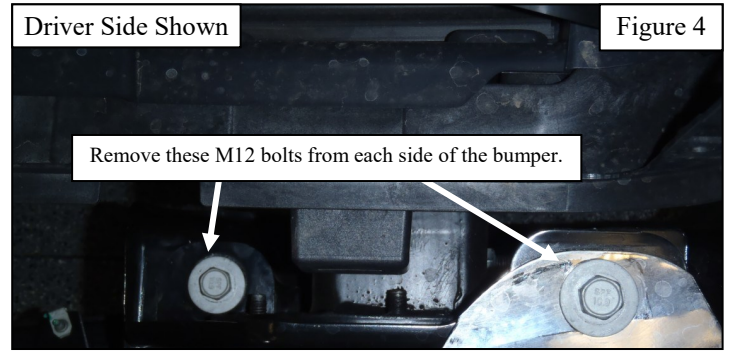
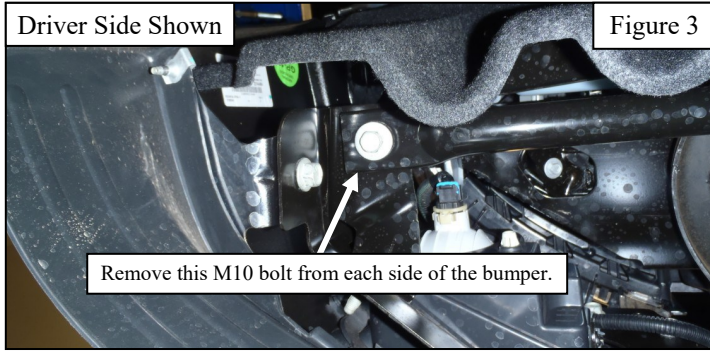


PROCEDURE

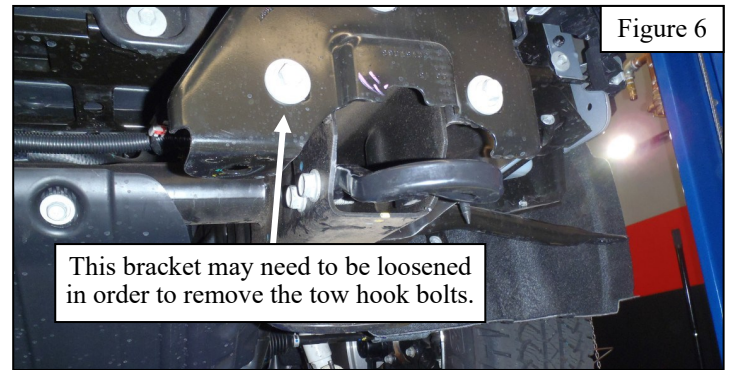
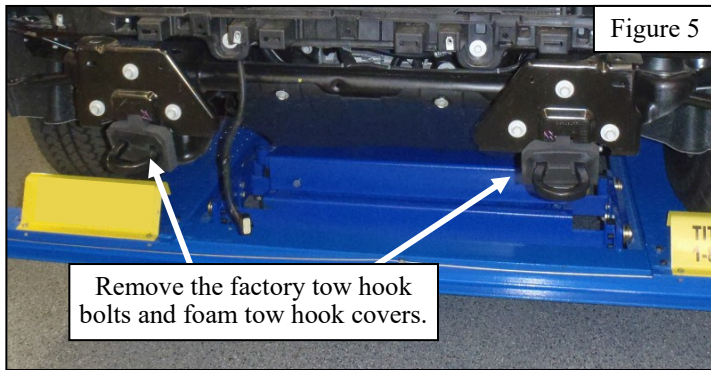
1. Remove contents from box, verify if all parts listed are present and free from damage. Carefully read and understand all instructions before attempting installation.
Failure to identify damage before installation could lead to a rejection of any claim.
2. Remove the radiator cover to reveal screws that attach the grille to the front of the vehicle. See **Figure 1** for reference.
3. Remove the screws that attach the grille to the front of the vehicle. Carefully pull the grille off of the vehicle. See **Figure 2** for reference.



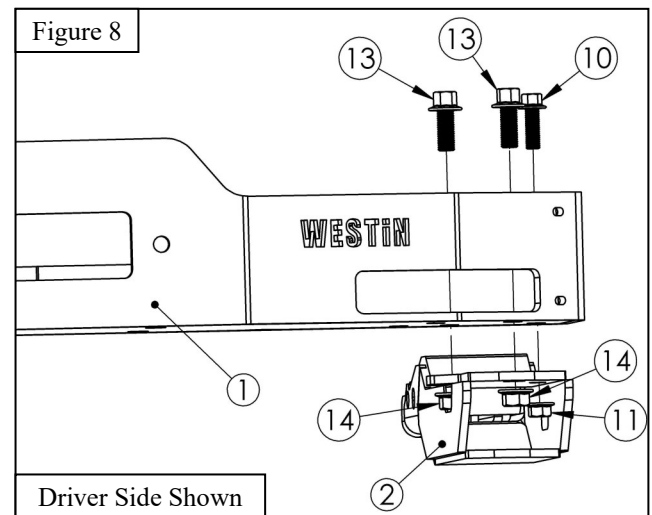
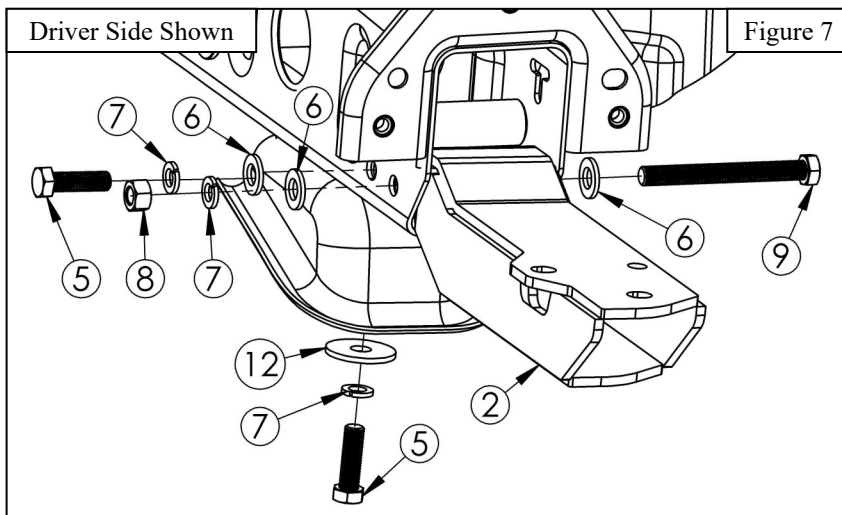
- Remove the front bumper assembly. See **Figures 3 and 4** for reference. **Note:** *This is only necessary for vehicles with OEM factory tow hooks.*



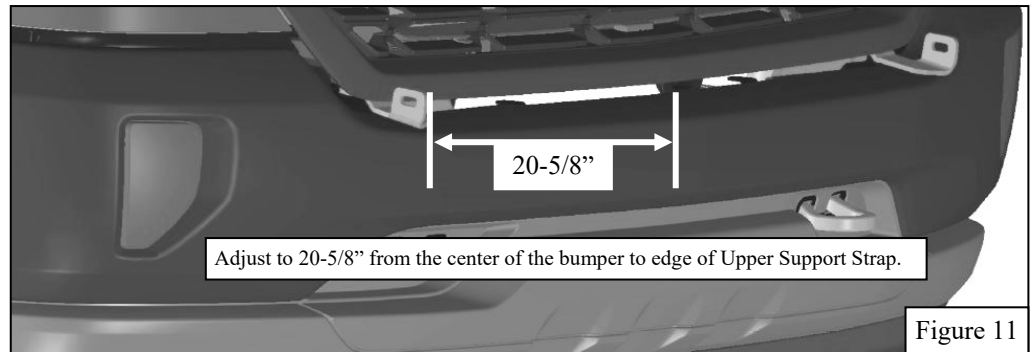
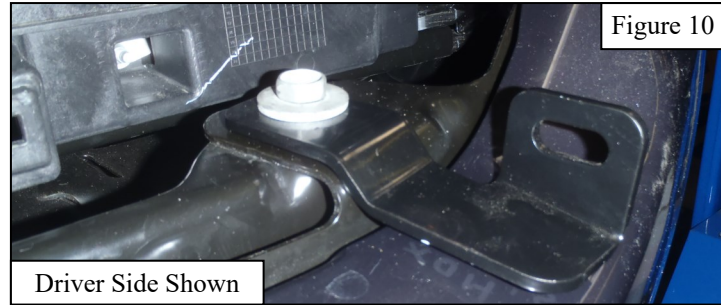
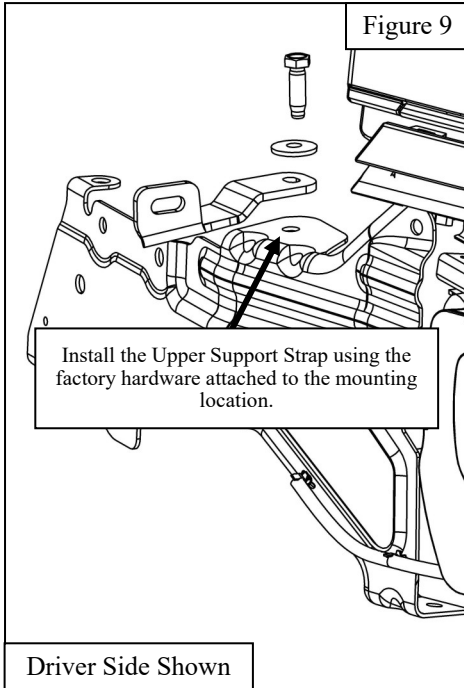
- For models with factory tow hooks:** Remove the tow hooks and the foam tow hook covers. Minor trimming is required on the tow hook covers. Tow hooks cannot be reinstalled. See **Figures 5 and 6** for reference.
- For models without factory tow hooks:** Cut-out the tow hook pockets in the front valance as necessary.



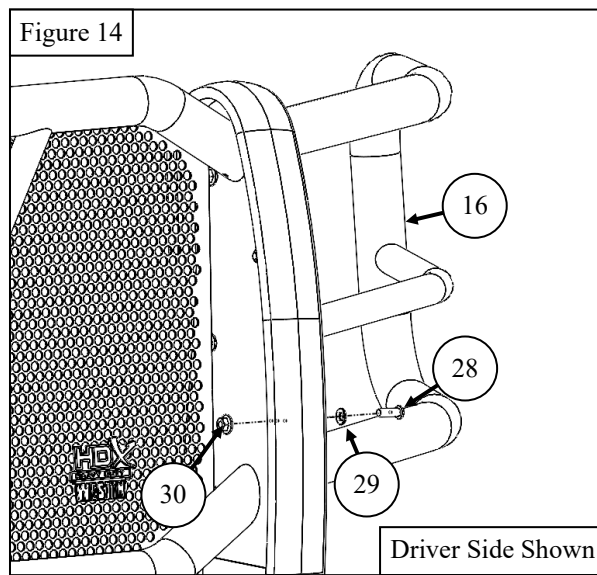
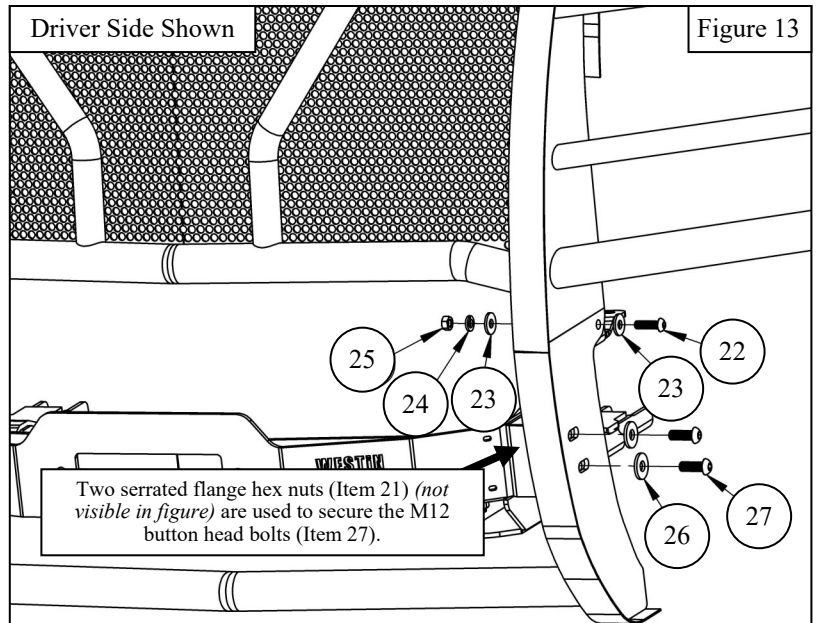
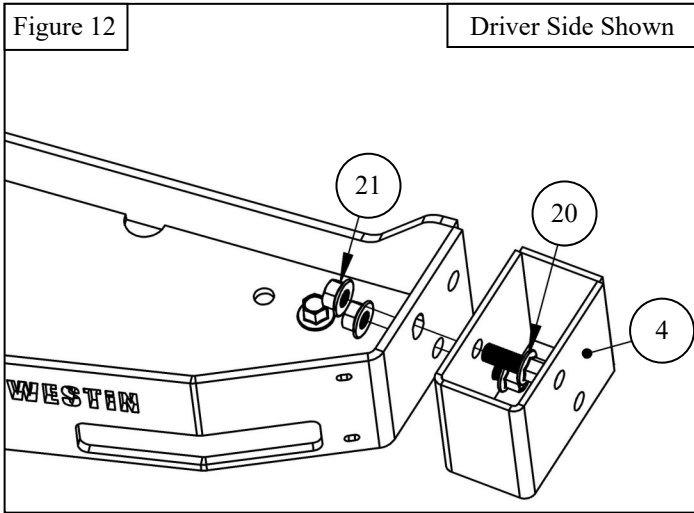
- Locate (1) Winch Tray Mounting Bracket (Items 2-3) . Loosely attach the Winch Tray Mounting Bracket to frame rail using the provided M12 hardware (Items 5-9, 12). Repeat for other side. See **Figure 7** for reference.
- Loosely install the Winch Tray to the mounting brackets using the supplied M10 (Items 10-11) and the supplied M12 hardware (Items 13-14). See **Figure 8** for reference.



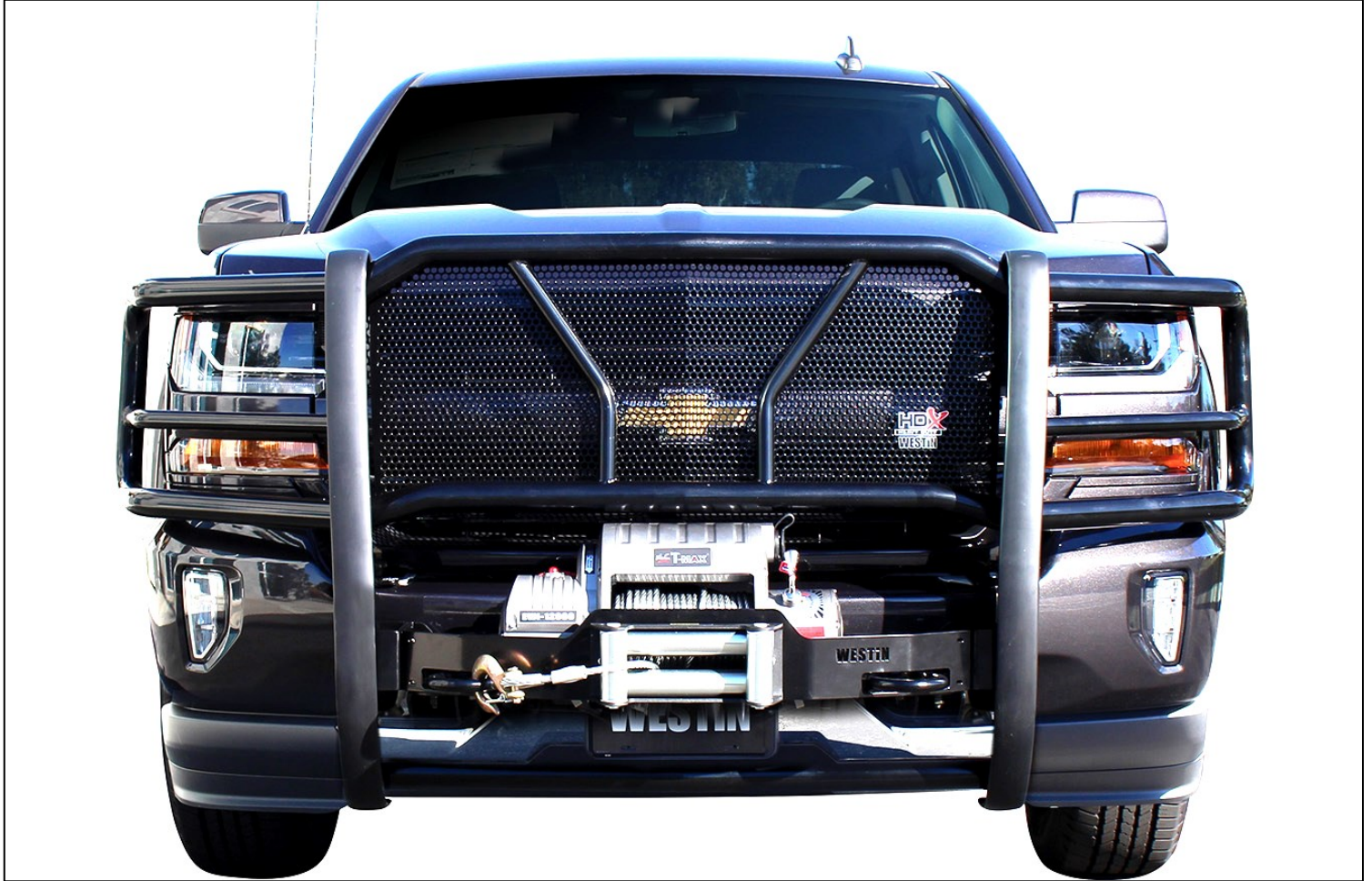
9. Locate (1) Upper Support Strap (Items 18-19) and remove the factory hardware at the mounting location.
10. Loosely install the Upper Support Strap with the factory hardware. Adjust them so that they are approximately 20-5/8" from the center of the bumper then torque the factory hardware to 50-55 ft-lb. Repeat for other side. See **Figures 9 through 11** for reference.
11. Re-install the bumper and the OEM grille in the reverse order that they were removed. **Note:** *Tow hook pocket trimming will be required to accomplish this step.*



12. Locate and attach both Spacer Brackets (Item 4) to the Winch Tray using the supplied M12 hardware (Items 20-21). See **Figure 12** for reference.
13. If you are installing a Winch, do so at this time per manufacturer's instructions. **Note:** *It may be very difficult to install the winch after the Grille Guard Base has been installed.*
14. With assistance loosely install the Grille Guard Base (Item 15) onto the previously installed spacer brackets and to the Upper Support Straps (Items 18-19) using the supplied M10 and M12 hardware (Items 21-27). See **Figure 13** for reference.
15. Locate and install the HDX Driver and Passenger Wings (Items 16-17) using the supplied M8 hardware (Items 28-30). See **Figure 14** for reference.
16. Align and adjust the Winch Tray, Grille Guard Base, Wings, and mounting brackets as necessary. Tighten and torque all remaining hardware as specified: M8 to 15-18 ft-lbs, M10 to 25-30 ft-lbs, and M12 to 45-50 ft-lbs.



INSTALLATION COMPLETE



CARE INSTRUCTIONS

- REGULAR WAXING IS RECOMMENDED. DO NOT USE ANY TYPE OF POLISH OR WAX THAT MAY CONTAIN ABRASIVES.
- STAINLESS STEEL PRODUCTS CAN BE CLEANED WITH MILD SOAP AND WATER. STAINLESS STEEL POLISH SHOULD BE USED TO POLISH SMALL SCRATCHES.
- GLOSS BLACK FINISHES SHOULD BE CLEANED WITH MILD SOAP AND WATER.

WESTIN Westin Automotive Products, Inc.
320 W. Covina Blvd
San Dimas, Ca. 91773

Thank you for choosing Westin products
for additional installation assistance please call
Customer Service (800) 793-7846
www.westinautomotive.com



WARNING



Failure to follow these instructions could lead to death, personal injury, and / or property damage.

Failure to follow these instructions could lead to death, personal injury, and / or property damage.

FASTENERS:

All Westin supplied fasteners must be utilized and installed in accordance with the installation instructions and apply torque to the specifications as defined. **DOUBLE CHECK ALL FASTENERS BEFORE INITIAL USE, AND PERIODICALLY IN THE FUTURE TO ENSURE PROPER FUNCTION AND SAFETY.**

DRILLING:

Most Westin products do not require drilling for installation. If drilling is defined as required, use caution when drilling a vehicle. **FAILURE TO REVIEW AN AREA TO BE DRILLED MAY RESULT IN PERSONAL INJURY AND/OR INJURY TO OTHERS AS WELL AS VEHICLE DAMAGE.**

EYE PROTECTION:

ALWAYS WEAR SAFETY GLASSES OR GOGGLES DURING THE INSTALLATION PROCESS TO AVOID PERSONAL INJURY.

MAXIMUM TOWING/CARRYING CAPACITY: (if applicable)

The Westin Receiver Hitches will have a visible tow rating label affixed directly on the product. User should never exceed the vehicle manufacturers maximum tow and weight rating regardless of the capacity of the hitch. **FAILURE TO FOLLOW THESE GUIDELINES WILL VOID THE WESTIN WARRANTY AND MAY RESULT IN PERSONAL INJURY AND/OR INJURY TO OTHERS AS WELL AS VEHICLE DAMAGE.**

FOR CALIFORNIA RESIDENTS ONLY-PROP 65 WARNING:

Some products may contain chemicals such as DEHP, which can cause cancer, birth defects or other reproductive harm. For more info go to www.p65warnings.ca.gov