

INSTALLATION INSTRUCTIONS

HLR Truck Rack Parts Kit



APPLICATION:
2005-2021 Toyota Tacoma
PART NUMBER:
Complete Kit: 57-81065
HLR Hoop: 57-81065A
Parts Kit: 57-81065B

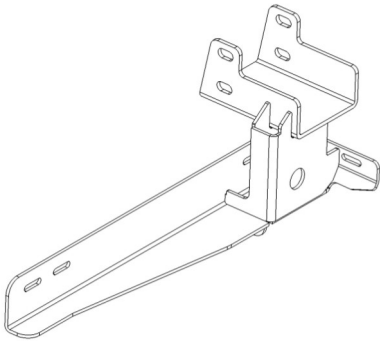
CONTENT

ITEM	QUANTITY	DESCRIPTION	TOOLS NEEDED
1	1	Hoop/Screen Assembly (Packaged Separately)	10 mm Wrench
2	1	Mounting Bracket (Driver's Side)	10mm Socket
3	1	Mounting Bracket (Passenger's Side)	1/4" Drive Ratchet
4	4	M8 Hex Head Bolt	Torx Driver
5	8	M8 Flat Washer	Allen Wrench
6	4	M8 Hex Nut Nylock	13mm Wrench
7	6	M6 Split Lock Washer	13mm Socket
8	6	M6 Flat Washer	
9	6	M6 Button Head Bolt	

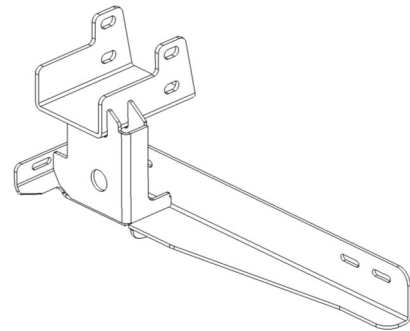
NOTE: Hoop/Screen Assembly packaged separately.

PROCEDURE

1. Remove contents from box, verify if all parts listed are present and free from damage.
Carefully read and understand all instructions before attempting installation.
Failure to identify damage before installation could lead to a rejection of any claim.



ITEM 2



ITEM 3



Westin Automotive Products, Inc.
320 W. Covina Blvd
San Dimas, Ca. 91773

Thank you for choosing Westin products
for additional installation assistance please call
Customer Service (800) 793-7846

www.westinautomotive.com

PROCEDURE

1. Remove contents from box, verify if all parts listed are present and free from damage.
Carefully read and understand all instructions before attempting installation.
Failure to identify damage before installation could lead to a rejection of any claim.

2. Begin by removing the plastic caps on the bed rails and then using a torx bit to remove the rails. **See Figure 1.**
3. Obtain the Mounting Bracket and position it to the bed as shown in **Figure 2.**



Figure 1

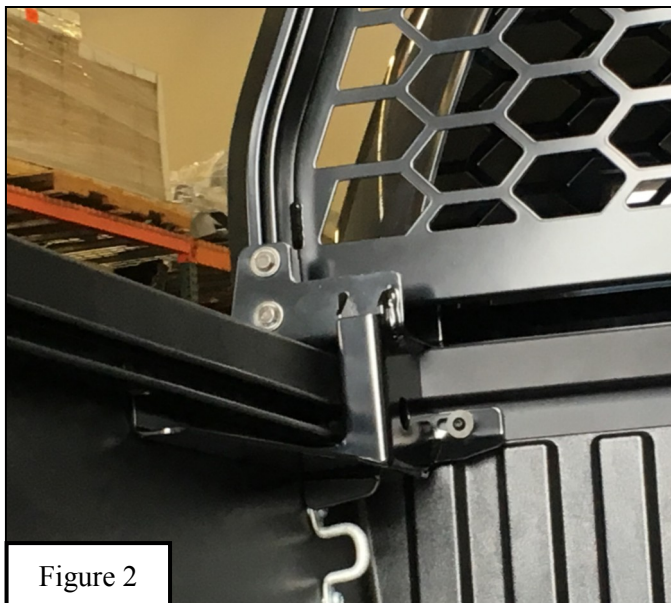


Figure 2

4. After replacing the bed rail to its original position, secure the Mounting Bracket to the vehicle with the supplied M6 Hardware in the factory mounting locations. **See Figure 3.** *Note: Long bed models will use the inner-most hole on the Mounting Bracket. Short bed models will use the outer-most hole. See Figure 4.*
5. The hardware mounting through the hole in the Mounting Bracket can be secured using a socket extension. **See Figure 5.**

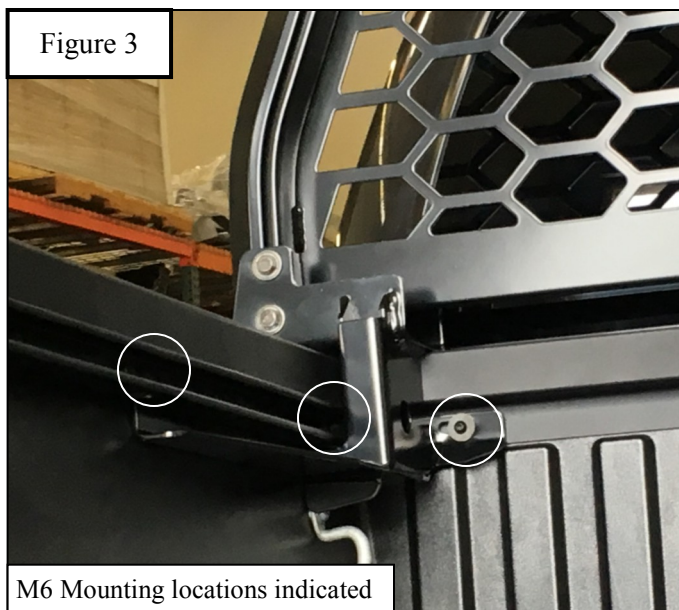


Figure 3

M6 Mounting locations indicated

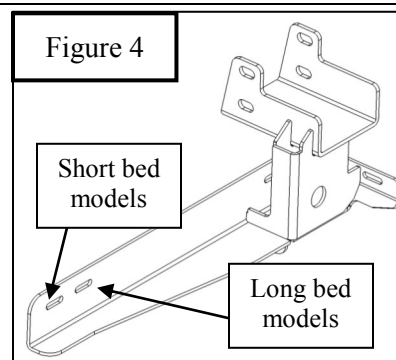


Figure 4

Short bed models

Long bed models

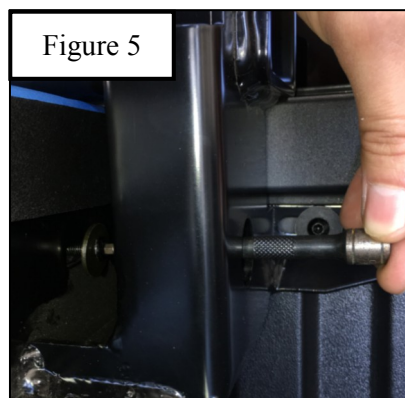
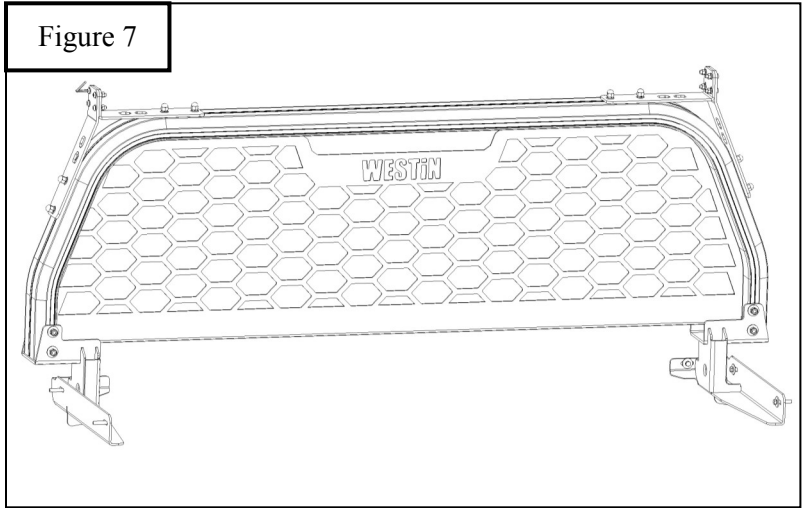
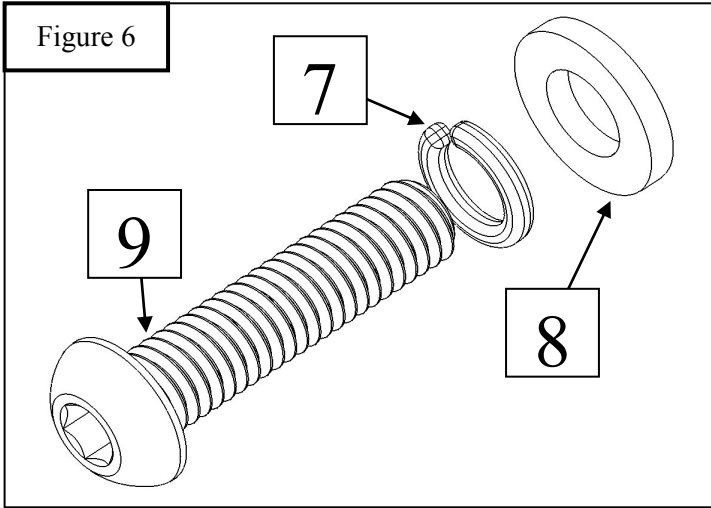
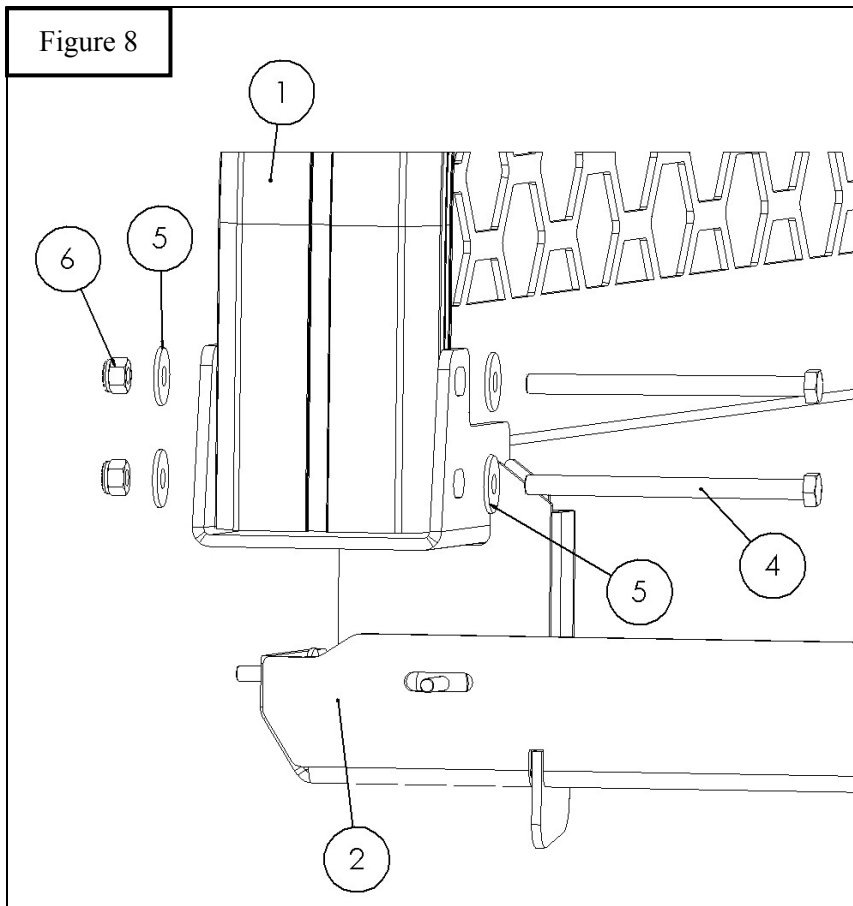


Figure 5

6. Note the hardware configuration for **Steps 4-5**. See **Figure 6**.
7. Repeat **Steps 2-6** for the opposite side of the vehicle.
8. Position the Hoop/Screen Assembly as shown in **Figure 7**.



9. Using the supplied M8 Hardware secure the Hoop/Screen Assembly to the Mounting Brackets as shown in **Figure 8**.
10. Torque all hardware; M6 to 8-11ft-lb, M8 to 15-18 ft-lb.



Note: When tightening M8 hardware that was used to install hoop and screen assembly on step 8, push the top of the HLR rack towards the cab of the truck to maintain straight while tightening.

INSTALLATION COMPLETE





WARNING



Failure to follow these instructions could lead to death, personal injury, and / or property damage.

Failure to follow these instructions could lead to death, personal injury, and / or property damage.

FASTENERS:

All Westin supplied fasteners must be utilized and installed in accordance with the installation instructions and apply torque to the specifications as defined. **DOUBLE CHECK ALL FASTENERS BEFORE INITIAL USE, AND PERIODICALLY IN THE FUTURE TO ENSURE PROPER FUNCTION AND SAFETY.**

DRILLING:

Most Westin products do not require drilling for installation. If drilling is defined as required, use caution when drilling a vehicle. **FAILURE TO REVIEW AN AREA TO BE DRILLED MAY RESULT IN PERSONAL INJURY AND/OR INJURY TO OTHERS AS WELL AS VEHICLE DAMAGE.**

EYE PROTECTION:

ALWAYS WEAR SAFETY GLASSES OR GOGGLES DURING THE INSTALLATION PROCESS TO AVOID PERSONAL INJURY.

MAXIMUM TOWING/CARRYING CAPACITY:

The Westin Receiver Hitches will have a visible tow rating label affixed directly on the product. User should never exceed the vehicle manufacturers maximum tow and weight rating regardless of the capacity of the hitch. **FAILURE TO FOLLOW THESE GUIDELINES WILL VOID THE WESTIN WARRANTY AND MAY RESULT IN PERSONAL INJURY AND/OR INJURY TO OTHERS AS WELL AS VEHICLE DAMAGE.**



Westin Automotive Products, Inc.
320 W. Covina Blvd
San Dimas, Ca. 91773

Thank you for choosing Westin products
for additional installation assistance please call
Customer Service (800) 793-7846

www.westinautomotive.com

DATE: 11/23/2020