

# INSTALLATION INSTRUCTIONS

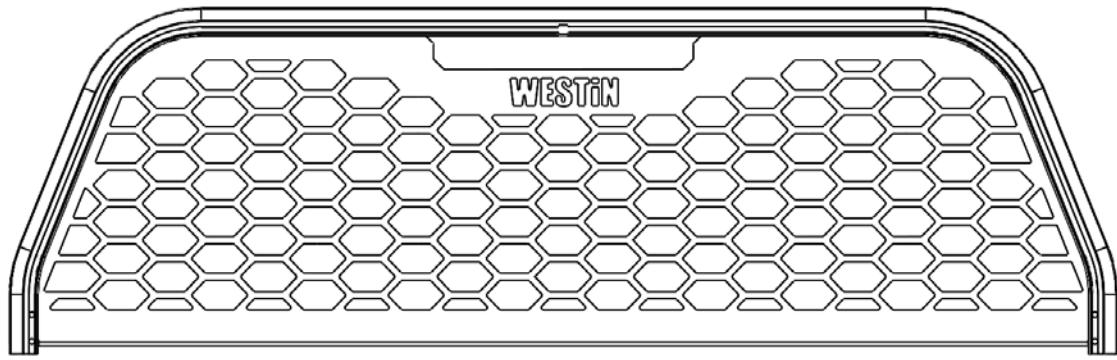
## HLR TRUCK RACK



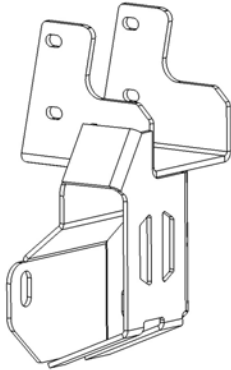
**APPLICATION:**  
1999-2016 Ford Super Duty  
**PART NUMBER:**  
57-81045

### CONTENT

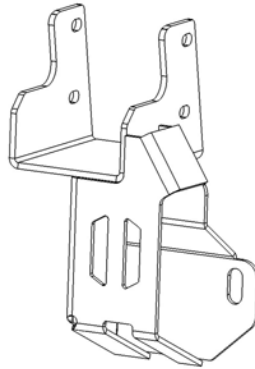
ITEM	QUANTITY	DESCRIPTION	TOOLS NEEDED
1	1	Hoop/Screen Assembly	13 mm Wrench
2	1	Mounting Bracket (Driver's Side)	13 mm Socket
3	1	Mounting Bracket (Passenger's Side)	1/4" Drive Ratchet
4	1	Support Bracket (Driver's Side)	19mm Wrench
5	1	Support Bracket (Passenger's Side)	
6	2	M12 Bolt Plate	
7	4	M8 Hex Head Bolt Long	
8	4	M8 Hex Nut Nylock	
9	16	M8 Flat Washer	
10	2	M12 Hex Nut	
11	2	M12 Lock Washer	
12	2	M12 Flat Washer	
13	2	M12 Plastic Retainer	
14	8	M8 Hex Head Bolt Short	
15	4	M8 Hex Nut	
16	8	M8 Split Lock Washer	



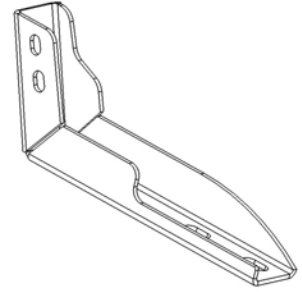
ITEM 1



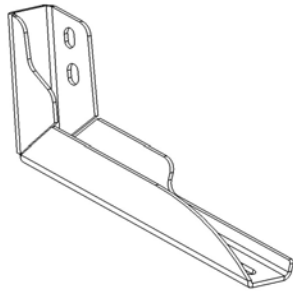
ITEM 2



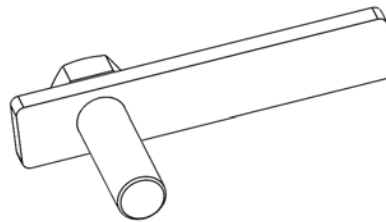
ITEM 3



ITEM 4



ITEM 5

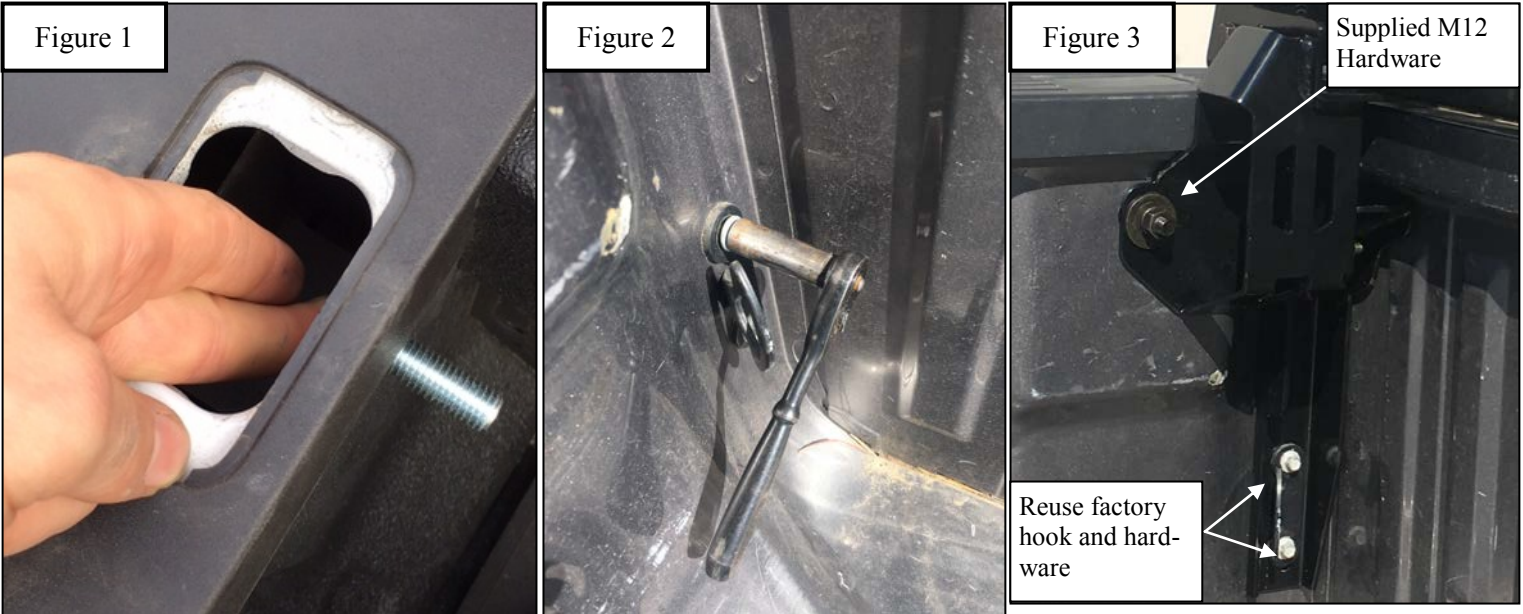


ITEM 6

### PROCEDURE

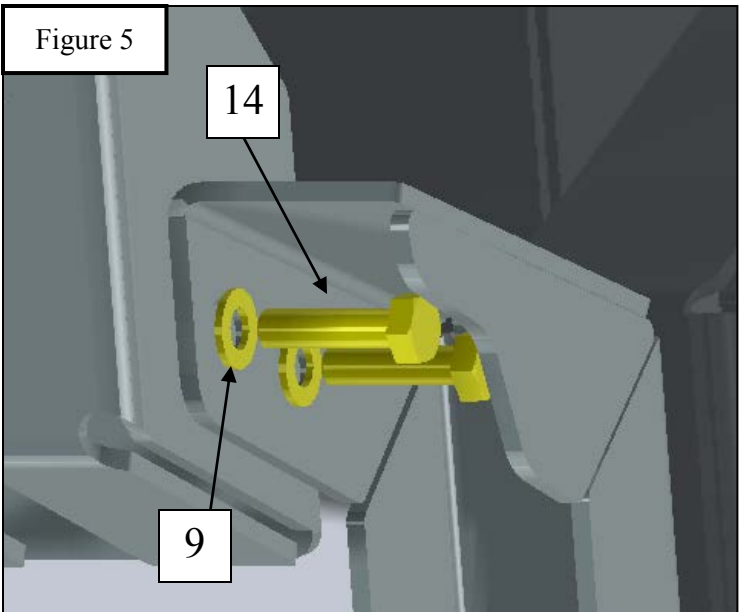
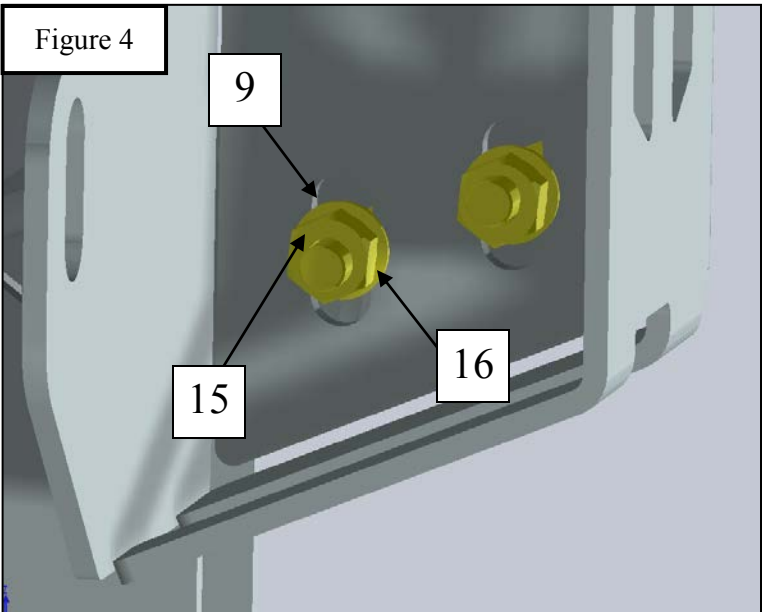
1. Remove contents from box, verify if all parts listed are present and free from damage.  
Carefully read and understand all instructions before attempting installation.  
**Failure to identify damage before installation could lead to a rejection of any claim.**

2. Insert the M12 bolt plate into side hole of the bed through the stake pocket. Thread one of the supplied M12 plastic retainers on to bolt plate to keep it from falling into the hole. See **Figure 1**.
3. Remove the front factory cargo hook from the bed. See **Figure 2**.
4. Locate mounting bracket **Item 2** and Support Bracket **Item 4** and insert hardware according to **Figures 3 & 4**. *Note: Mounting Bracket will utilize the provided M12 Flat Washer, Lock Washer, and Hex Nut.*
5. Hand tighten hardware only for now. All hardware will be torqued at the end of installation.

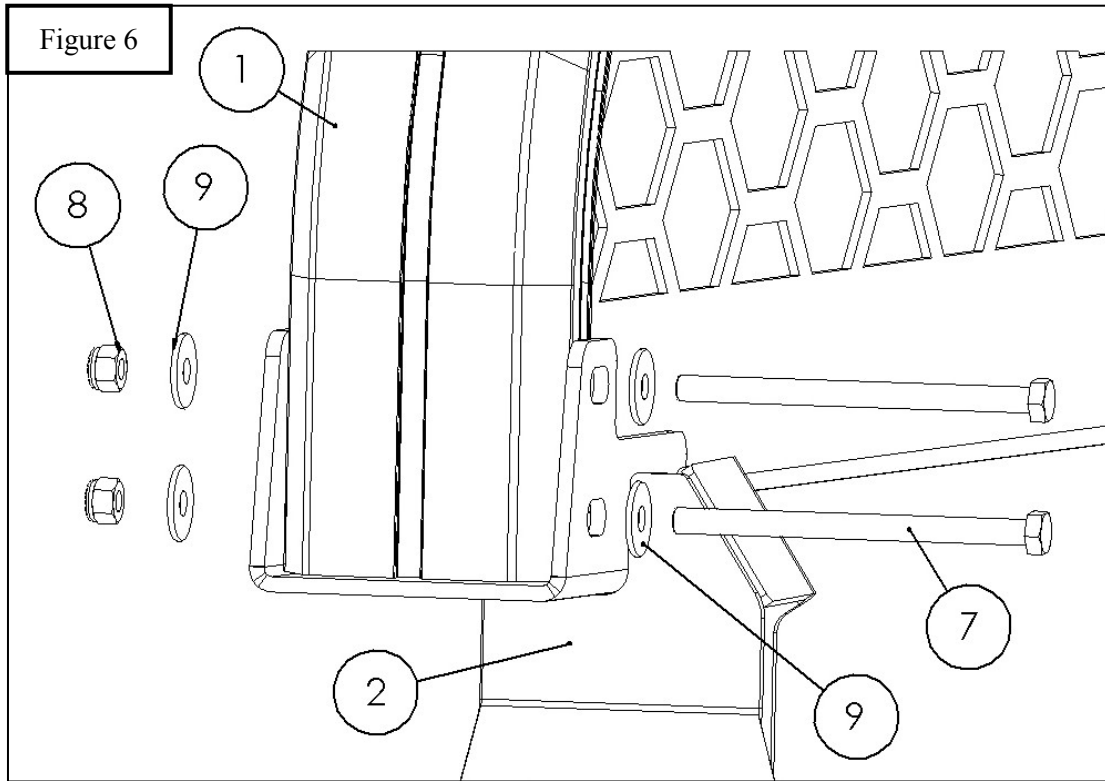


**Driver's Side Shown**

6. In order to attach the Mounting Bracket to the Support Bracket, use the supplied M8 Hardware. See **Figures 4 & 5**.
7. Repeat steps 2-6 on passenger's side.



8. Using supplied M8 hardware, fasten **Item 1** on to brackets. See **Figure 6**.



**INSTALLATION COMPLETE**



Westin Automotive Products, Inc.  
320 W. Covina Blvd  
San Dimas, Ca. 91773

Thank you for choosing Westin products  
for additional installation assistance please call  
Customer Service (800) 793-7846

[www.westinautomotive.com](http://www.westinautomotive.com)



## WARNING



Failure to follow these instructions could lead to death, personal injury, and / or property damage.

Failure to follow these instructions could lead to death, personal injury, and / or property damage.

### FASTENERS:

All Westin supplied fasteners must be utilized and installed in accordance with the installation instructions and apply torque to the specifications as defined. **DOUBLE CHECK ALL FASTENERS BEFORE INITIAL USE, AND PERIODICALLY IN THE FUTURE TO ENSURE PROPER FUNCTION AND SAFETY.**

### DRILLING:

Most Westin products do not require drilling for installation. If drilling is defined as required, use caution when drilling a vehicle. **FAILURE TO REVIEW AN AREA TO BE DRILLED MAY RESULT IN PERSONAL INJURY AND/OR INJURY TO OTHERS AS WELL AS VEHICLE DAMAGE.**

### EYE PROTECTION:

**ALWAYS WEAR SAFETY GLASSES OR GOGGLES DURING THE INSTALLATION PROCESS TO AVOID PERSONAL INJURY.**

### MAXIMUM TOWING/CARRYING CAPACITY:

The Westin Receiver Hitches will have a visible tow rating label affixed directly on the product. User should never exceed the vehicle manufacturers maximum tow and weight rating regardless of the capacity of the hitch. **FAILURE TO FOLLOW THESE GUIDELINES WILL VOID THE WESTIN WARRANTY AND MAY RESULT IN PERSONAL INJURY AND/OR INJURY TO OTHERS AS WELL AS VEHICLE DAMAGE.**



Westin Automotive Products, Inc.  
320 W. Covina Blvd  
San Dimas, Ca. 91773

Thank you for choosing Westin products  
for additional installation assistance please call  
Customer Service (800) 793-7846  
[www.westinautomotive.com](http://www.westinautomotive.com)