

INSTALLATION INSTRUCTIONS

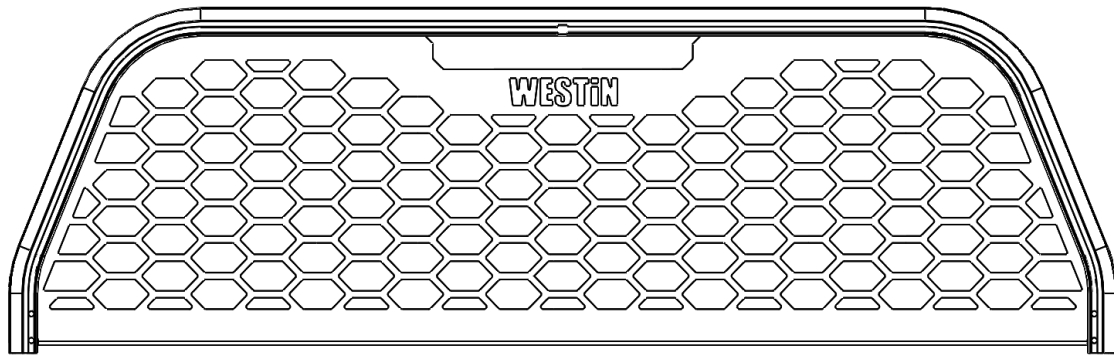
HLR TRUCK RACK



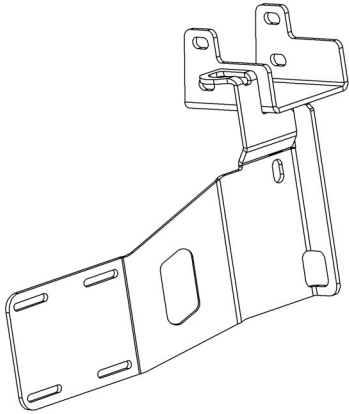
APPLICATION:
2015-2020 Ford F-150
PART NUMBER:
57-81035

CONTENT			
ITEM	QUANTITY	DESCRIPTION	TOOLS NEEDED
1	1	Hoop/Screen Assembly	10 mm Wrench
2	1	Mounting Bracket (Driver's Side)	10 mm Socket
3	1	Mounting Bracket (Passenger's Side)	Ratchet
4	2	M12 Bolt Plate	19mm Wrench
5	4	M8 Hex Head Bolt Long	
6	4	M8 Hex Nylock Nut	
7	8	M8 Flat Washer Large	
8	2	M12 Hex Nut	
9	2	M12 Lock Washer	
10	2	M12 Flat Washer	
11	2	M12 Fish Wire	
12	2	M12 Plastic Retainers	
13	8	M6 Flat Washer	
14	8	M6 Button Head Bolts	
15	8	M6 Split Lock Washer	

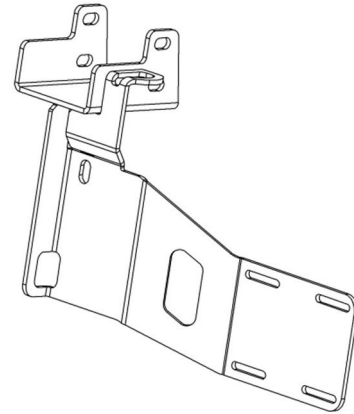
ANTI-SEIZE LUBRICANT MUST BE USED ON ALL STAINLESS STEEL FASTENERS TO PREVENT THREAD DAMAGE AND GALLING



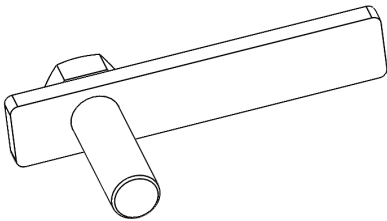
ITEM 1



ITEM 2



ITEM 3

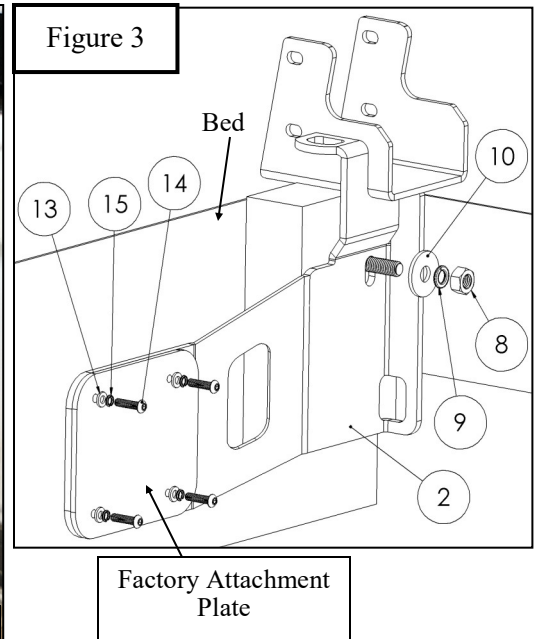
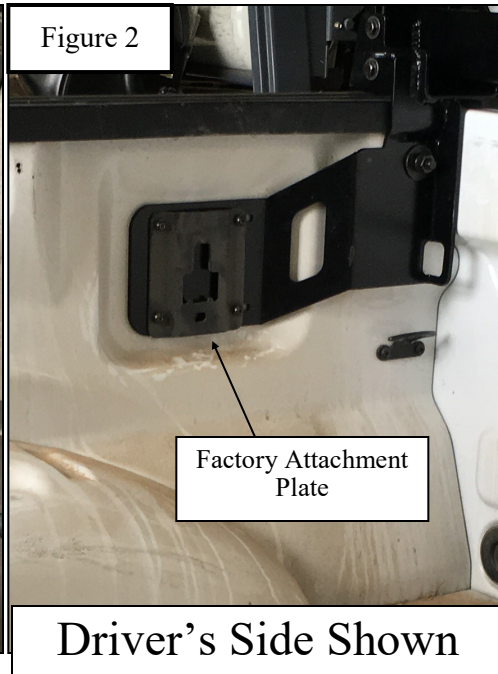
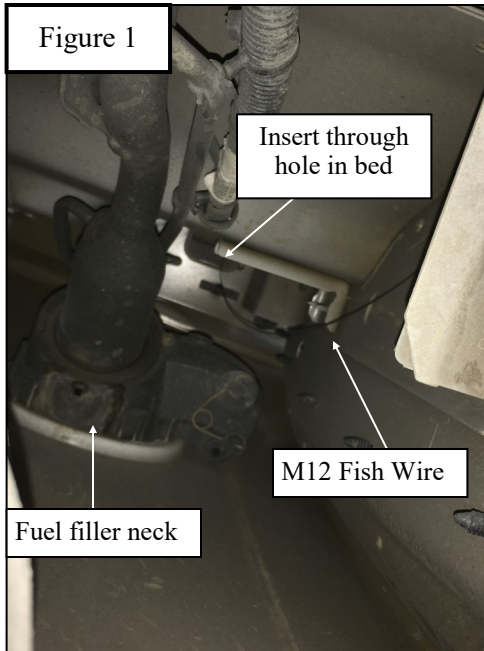


ITEM 4

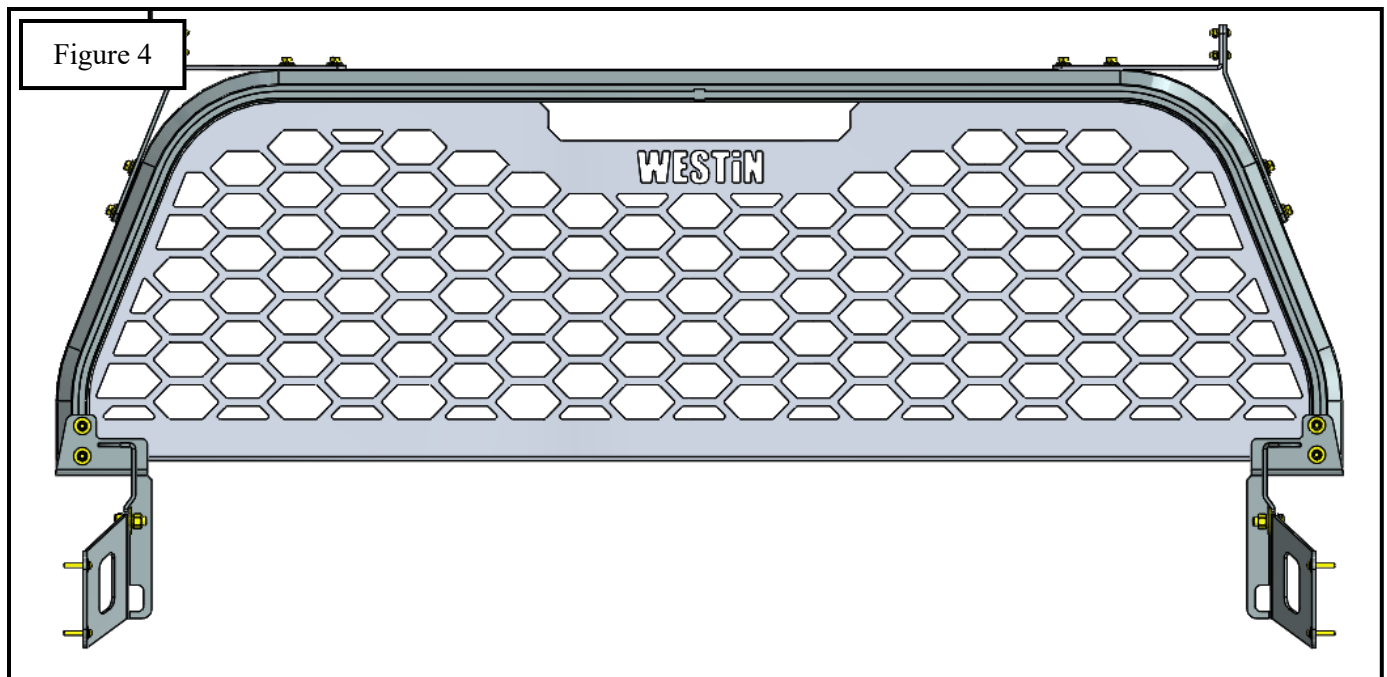
PROCEDURE

1. Remove contents from box, verify if all parts listed are present and free from damage.
Carefully read and understand all instructions before attempting installation.
Failure to identify damage before installation could lead to a rejection of any claim.

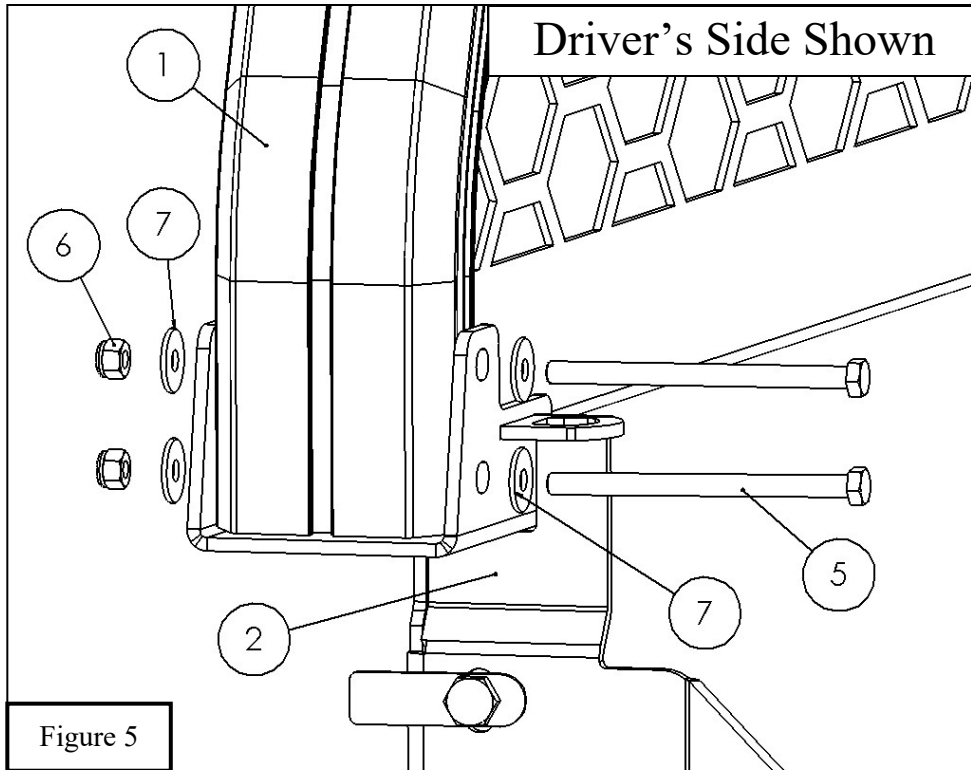
- Using the supplied M12 Fish Wire, feed the M12 Bolt Plate through the hole in the front of the bed and install a Plastic Retainer. **See Figure 1.**
- Remove the factory attachment plate and install the Mounting Bracket with the attachment plate sandwiching the HLR Mounting Bracket. **See Figures 2 & 3.**
- Hand tighten hardware only for now. All hardware will be torqued at the end of installation.



- Repeat steps 2-4 on passenger's side.
- Position Hoop/Screen Assembly **Item 1** on bracket cradles according to **Figure 4.**



9. Using supplied M8 hardware, fasten **Item 1** on to brackets. See **Figure 5**.



INSTALLATION COMPLETE



WESTIN

Westin Automotive Products, Inc.
320 W. Covina Blvd
San Dimas, Ca. 91773

P.N.: 75-578103-RevB

ECO #: W20-0069

Thank you for choosing Westin products
for additional installation assistance please call
Customer Service (800) 793-7846
www.westinautomotive.com

DATE: 06/17/2020



WARNING



Failure to follow these instructions could lead to death, personal injury, and / or property damage.

Failure to follow these instructions could lead to death, personal injury, and / or property damage.

FASTENERS:

All Westin supplied fasteners must be utilized and installed in accordance with the installation instructions and apply torque to the specifications as defined. **DOUBLE CHECK ALL FASTENERS BEFORE INITIAL USE, AND PERIODICALLY IN THE FUTURE TO ENSURE PROPER FUNCTION AND SAFETY.**

DRILLING:

Most Westin products do not require drilling for installation. If drilling is defined as required, use caution when drilling a vehicle. **FAILURE TO REVIEW AN AREA TO BE DRILLED MAY RESULT IN PERSONAL INJURY AND/OR INJURY TO OTHERS AS WELL AS VEHICLE DAMAGE.**

EYE PROTECTION:

ALWAYS WEAR SAFETY GLASSES OR GOGGLES DURING THE INSTALLATION PROCESS TO AVOID PERSONAL INJURY.

MAXIMUM TOWING/CARRYING CAPACITY: (if applicable)

The Westin Receiver Hitches will have a visible tow rating label affixed directly on the product. User should never exceed the vehicle manufacturers maximum tow and weight rating regardless of the capacity of the hitch. **FAILURE TO FOLLOW THESE GUIDELINES WILL VOID THE WESTIN WARRANTY AND MAY RESULT IN PERSONAL INJURY AND/OR INJURY TO OTHERS AS WELL AS VEHICLE DAMAGE.**

FOR CALIFORNIA RESIDENTS ONLY-PROP 65 WARNING:

Some products may contain chemicals such as DEHP, which can cause cancer, birth defects or other reproductive harm. For more info go to www.p65warnings.ca.gov



Westin Automotive Products, Inc.
320 W. Covina Blvd
San Dimas, Ca. 91773