

INSTALLATION INSTRUCTIONS



HDX GRILLE GUARD
APPLICATION:
CHEVROLET SUBURBAN/TAHOE 2021
PART NUMBER:
57-4045

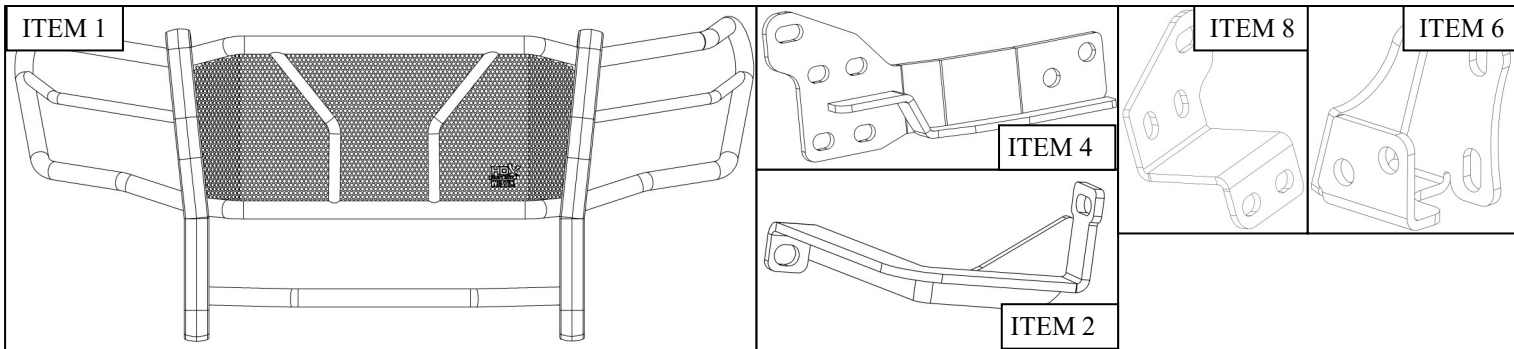
NOTE: THIS PRODUCT WILL NOT WORK WITH PARKING SENSORS

CONTENT			
ITEM	QUANTITY	DESCRIPTION	TOOLS NEEDED
1	1	GRILLE GUARD	UTILITY KNIFE
2	1	DRIVER STRAP	SCREWDRIVER
3	1	PASSENGER STRAP	18MM WRENCH
4	1	DRIVER LOWER BRACKET	18MM SOCKET
5	1	PASSENGER LOWER BRACKET	15MM WRENCH
6	1	DRIVER EXTENSION BRACKET	15MM SOCKET
7	1	PASSENGER EXTENSION BRACKET	10MM SOCKET
8	1	DRIVER CLAMP	7MM SOCKET
9	1	PASSENGER CLAMP	T15 TORX BIT
10	4	M12 HEX HEAD BOLT	8 MM ALLEN WRENCH
11	4	M12 FLAT WASHER	6 MM ALLEN WRENCH
12	4	M12 SERRATED FLANGE NUT	RATCHET
13	6	M10 FLAT WASHER	RATCHET EXT.
14	6	M10 SERRATED FLANGE NUT	TORQUE WRENCH
15	2	SHORT M10 HEX HEAD BOLT	HAMMER
16	4	LONG M10 HEX HEAD BOLT	
17	2	M10 BUTTON HEAD BOLT	
18	2	M10 BELLVILLE WASHER	
19	2	M10 SERRATED FLANGE NUT	
20	8	M12 BUTTON HEAD BOLT	
21	8	M12 SERRATED FLANGE NUT	
22	8	M12 BELLVILLE WASHER	

ANTI-SEIZE LUBRICANT MUST BE USED ON ALL STAINLESS STEEL FASTENERS TO PREVENT THREAD DAMAGE AND GALLING

PROCEDURE

1. Remove contents from box, verify if all parts listed are present and free from damage.
Carefully read and understand all instructions before attempting installation.
Failure to identify damage before installation could lead to a rejection of any claim.



2. Follow the next steps to remove the entire front grille and fascia from the front of the vehicle. There are a number of plastic fasteners and metal screws holding it on. Care should be taken not to damage the fascia as it is removed.
3. Open the hood and remove the 9 plastic rivets and the two screws with the plastic hood release handle (**Figure 1**) and remove the top plastic cover, then remove the screws holding the grill (**Figure 2**).
5. Remove screws located under the fenders that holds the front fascia (**Figure 3**). Carefully pull the fender trim. Remove all the screws under the vehicle to loosen the bottom part of the fascia. (**Figures 4 & 5**)
6. Remove screw under each side of the fenders. (**Figures 6 & 7**).

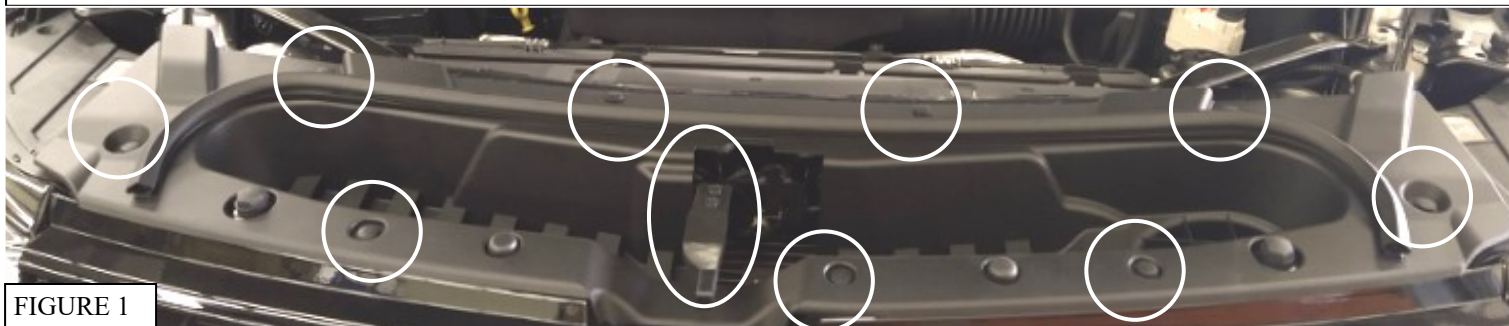


FIGURE 1



FIGURE 2



FIGURE 4

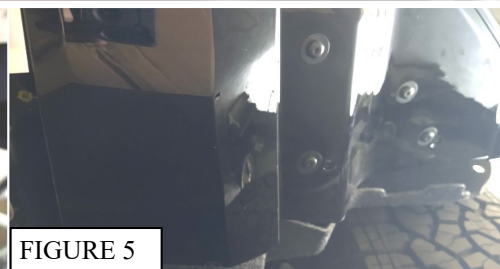


FIGURE 5



FIGURE 3

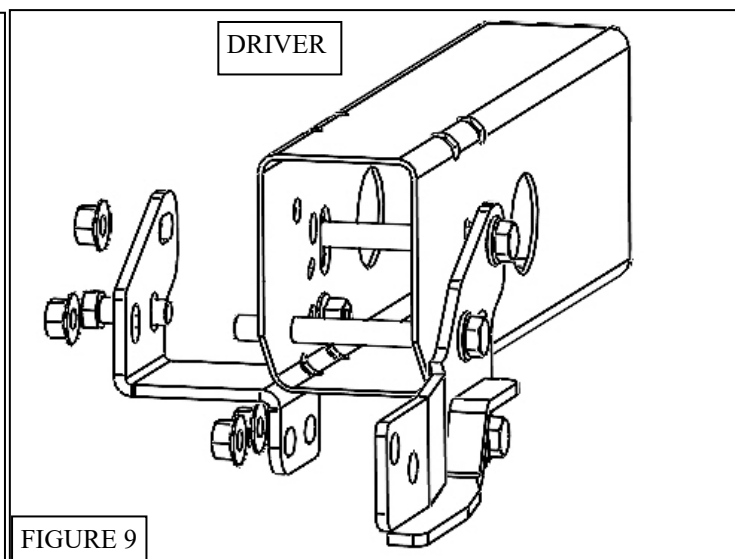
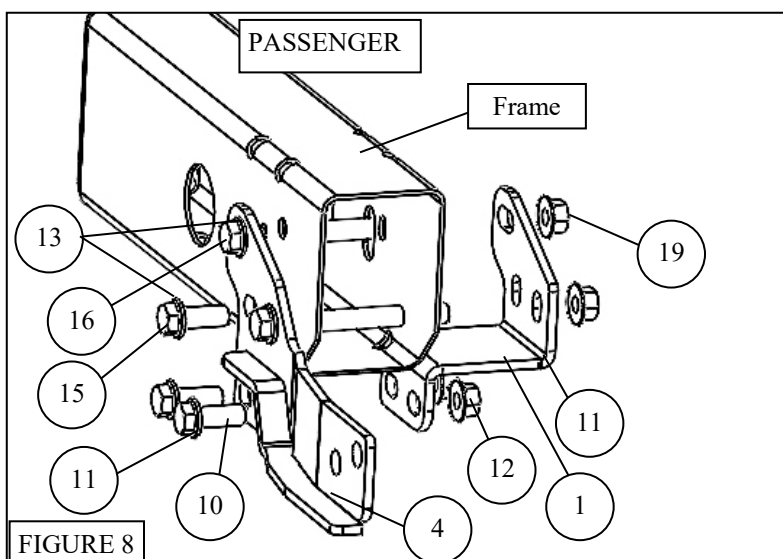


FIGURE 6

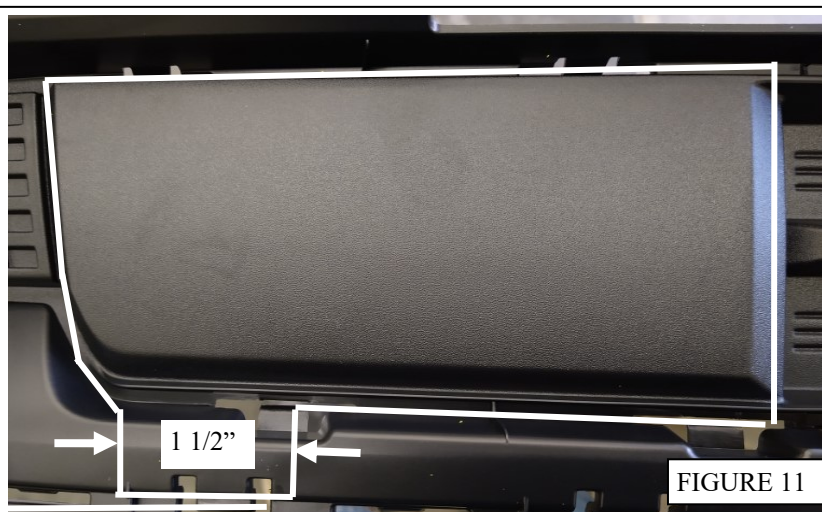


FIGURE 7

7. With help disconnect any connection from the fascia to the vehicle and carefully disengage the whole front fascia.
8. Pull the plastic cover on top of the internal bumper and from radiator support and discard it.
9. With help disconnect any connection from the fascia to the vehicle and carefully disengage the whole front fascia.
10. Pull the plastic cover on top of the internal bumper and from radiator support and discard it.
11. If equipped with tow hooks remove them and save them with their hardware to be reuse with the mounting brackets installation in the following step.
12. Install driver and passenger lower brackets to the chassis using the clamp brackets, 4 M12 hex bolts long, 6 M12 hex bolts short, 10 M12 flat washers, and 10 M12 flange nuts. Reuse the factory bolt with the outer clamp bracket. Leave them loose for now. **(Figures 8 & 9). Note: Chassis mount holes are not mirrored to each other. Please refer to Figures 8 & 9.**
13. Tighten M12 hardware to 50-55 ft-lbs., and M10 to 35-40 ft-lbs



15. Before installing the front fascia, trim the lower grille slots as shown in the images below. **Note: See Figure 10-11 then reinstall the front Fascia**



17. Reinstall the front Fascia
18. Install the extension brackets (**Figure 12**) using M12 button head bolts M12 Bellville washer and M12 serrated flange nut leave hardware loose for now.
19. Using the provided templates, cut at the dotted lines and place the indicated side at 2" from the center of the fascia and the top edge at the lower edge of the grill, carefully drill a 2" hole at each side of the fascia. (**Figure 13**) Carefully clean the hole edges.

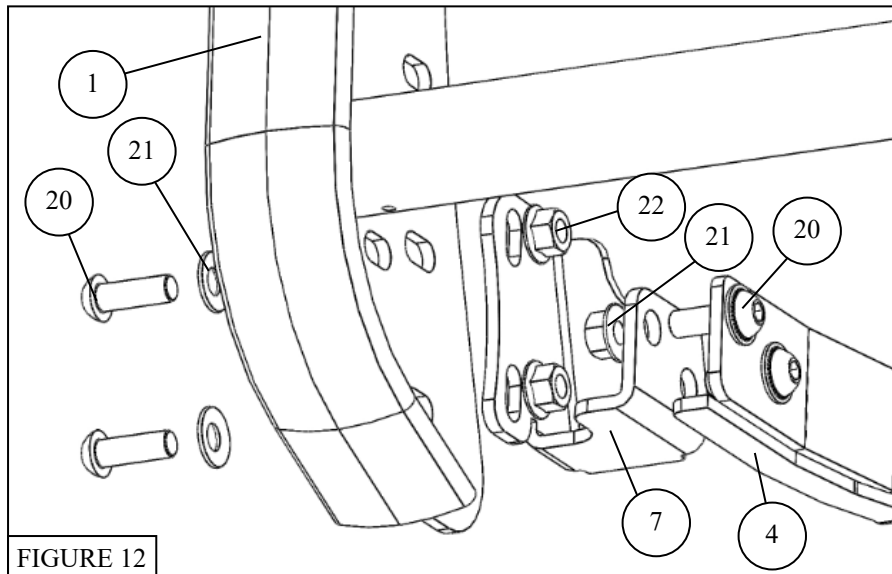


FIGURE 12

20. Remove the factory bolt shown in **Figure 14** and save it to be used in the next step.
17. Place the upper brackets into the holes and install them using the previously removed bolts. (**Figure 14**) leave them loose for now.
18. Install the grille guard to the bottom brackets (**Figure 12**) using M12 button head bolts M12 Bellville washers and M12 serrated flange nuts. Slightly tighten hardware for now to secure the grille guard.
19. Secure the grill guard at the upper area using M10 button head bolts M10 Bellville washers and M10 serrated flange nuts.
20. Adjust as needed and torque all hardware as specified: M10 to 35-40 ft-lbs., M12 to 50-55 ft-lbs.

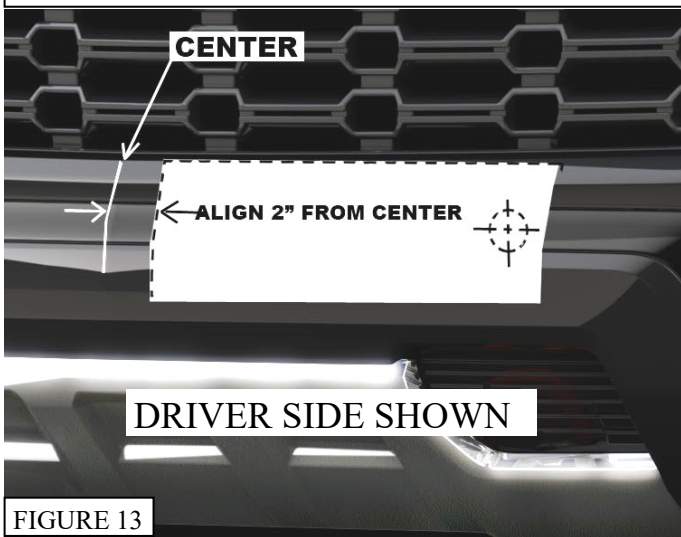


FIGURE 13

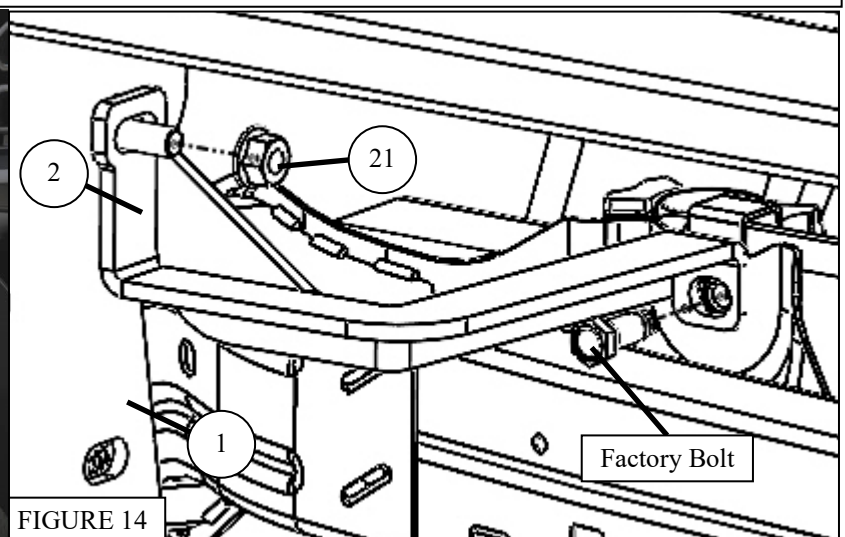


FIGURE 14



CARE INSTRUCTIONS

- REGULAR WAXING IS RECOMMENDED. DO NOT USE ANY TYPE OF POLISH OR WAX THAT MAY CONTAIN ABRASIVES.
- STAINLESS STEEL PRODUCTS CAN BE CLEANED WITH MILD SOAP AND WATER. STAINLESS STEEL POLISH SHOULD BE USED TO POLISH SMALL SCRATCHES.
- GLOSS BLACK FINISHES SHOULD BE CLEANED WITH MILD SOAP AND WATER.

WESTIN Westin Automotive Products, Inc.
320 W. Covina Blvd
San Dimas, Ca. 91773

P.N.: 75-574045-RevA

ECO #: W20-0084

5

Thank you for choosing Westin products
for additional installation assistance please call
Customer Service (800) 793-7846
www.westinautomotive.com

DATE: 04/09/21



WARNING



Failure to follow these instructions could lead to death, personal injury, and / or property damage.

Failure to follow these instructions could lead to death, personal injury, and / or property damage.

FASTENERS:

All Westin supplied fasteners must be utilized and installed in accordance with the installation instructions and apply torque to the specifications as defined. **DOUBLE CHECK ALL FASTENERS BEFORE INITIAL USE, AND PERIODICALLY IN THE FUTURE TO ENSURE PROPER FUNCTION AND SAFETY.**

DRILLING:

Most Westin products do not require drilling for installation. If drilling is defined as required, use caution when drilling a vehicle. **FAILURE TO REVIEW AN AREA TO BE DRILLED MAY RESULT IN PERSONAL INJURY AND/OR INJURY TO OTHERS AS WELL AS VEHICLE DAMAGE.**

EYE PROTECTION:

ALWAYS WEAR SAFETY GLASSES OR GOGGLES DURING THE INSTALLATION PROCESS TO AVOID PERSONAL INJURY.

MAXIMUM TOWING/CARRYING CAPACITY: (if applicable)

The Westin Receiver Hitches will have a visible tow rating label affixed directly on the product. User should never exceed the vehicle manufacturers maximum tow and weight rating regardless of the capacity of the hitch. **FAILURE TO FOLLOW THESE GUIDELINES WILL VOID THE WESTIN WARRANTY AND MAY RESULT IN PERSONAL INJURY AND/OR INJURY TO OTHERS AS WELL AS VEHICLE DAMAGE.**

FOR CALIFORNIA RESIDENTS ONLY-PROP 65 WARNING:

Some products may contain chemicals such as DEHP, which can cause cancer, birth defects or other reproductive harm. For more info go to www.p65warnings.ca.gov



Westin Automotive Products, Inc.
320 W. Covina Blvd
San Dimas, Ca. 91773