

INSTALLATION INSTRUCTIONS

HDX GRILLE GUARD W/ FRONT SENSORS



APPLICATION:

Chevrolet Silverado 1500 2019-2021, 2023-2024 & 1500 LTD 2022
(Excl. ZR2 & 2019 LD) w/ Front Sensors

PART NUMBER:

57-3955S

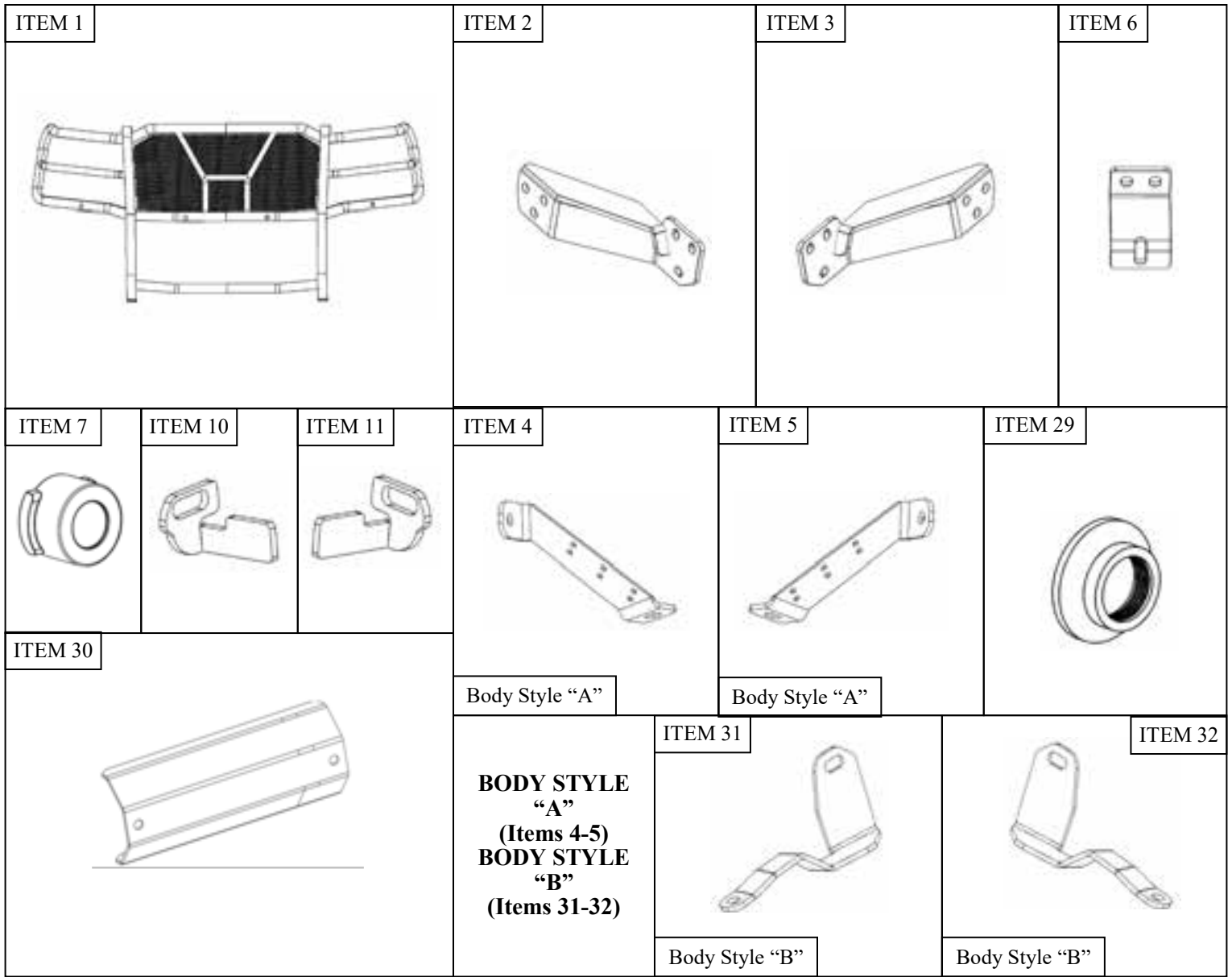
| ITEM | QUANTITY | DESCRIPTION | TOOLS NEEDED |
|------|----------|---|--------------------------|
| 1 | 1 | HDX GRILLE GUARD | 10MM SOCKET |
| 2 | 1 | LOWER MOUNTING BRACKET DRIVER SIDE | 16MM SOCKET |
| 3 | 1 | LOWER MOUNTING BRACKET PASSENGER SIDE | 16MM WRENCH |
| 4 | 1 | UPPER STRAP BRACKET FOR BODY STYLE "A" DRIVER SIDE | 18MM SOCKET |
| 5 | 1 | UPPER STRAP BRACKET FOR BODY STYLE "A" PASSENGER SIDE | 18MM WRENCH |
| 6 | 2 | LOWER SUPPORT BRACKET | HAMMER |
| 7 | 4 | SENSOR PLUG | UTILITY KNIFE |
| 8 | 8 | PAN HEAD SCREWS | FLAT HEAD SCREWDRIVER |
| 9 | 4 | HARNESS EXTENSION | |
| 10 | 2 | DRIVER SIDE SENSOR TAB | RATCHET |
| 11 | 2 | PASSENGER SIDE SENSOR TAB | TORQUE WRENCH |
| 12 | 4 | M12 SHORT HEX HEAD CAP SCREW (YELLOW ZINC) | PRYBAR |
| 13 | 2 | M12 LONG HEX HEAD CAP SCREW (YELLOW ZINC) | 13MM SOCKET |
| 14 | 6 | M12 SPLIT LOCK WASHER (YELLOW ZINC) | |
| 15 | 12 | M12 FLAT WASHER (YELLOW ZINC) | |
| 16 | 6 | M12 HEX NUT (YELLOW ZINC) | |
| 17 | 4 | M6 HEX HEAD CAP SCREW (BLACK) | |
| 18 | 4 | M6 FLAT WASHER (BLACK) | |
| 19 | 4 | M6 LOCK WASHER (BLACK) | |
| 20 | 2 | M10 HEX BUTTON HEAD BOLT (BLACK) | |
| 21 | 2 | M10 BELLVILLE WASHER (BLACK) | |
| 22 | 2 | M10 SERRATED FLANGE NUT (BLACK) | |
| 23 | 6 | M12 HEX BUTTON HEAD BOLT (BLACK) | |
| 24 | 6 | M12 SERRATED FLANGE NUT (BLACK) | |
| 25 | 6 | M12 BELLVILLE WASHER (BLACK) | |
| 26 | 8 | ZIP TIES | |
| 27 | 4 | DOUBLE SIDED TAPE SQUARES | |
| 28 | 2 | FISH WIRE | |
| 29 | 4 | SENSOR RETAINERS | |
| 30 | 4 | SENSOR COVER | |
| 31 | 1 | UPPER STRAP BRACKET FOR BODY STYLE "B" DRIVER SIDE | |
| 32 | 1 | UPPER STRAP BRACKET FOR BODY STYLE "B" PASSENGER SIDE | |
| 33 | | FOAM TAPE | |

ANTI-SEIZE LUBRICANT MUST BE USED ON ALL STAINLESS STEEL FASTENERS TO PREVENT THREAD DAMAGE AND GALLING



Westin Automotive Products, Inc.
320 W. Covina Blvd
San Dimas, Ca. 91773

Thank you for choosing Westin products
for additional installation assistance please call
Customer Service (800) 793-7846
www.westinautomotive.com



PROCEDURE

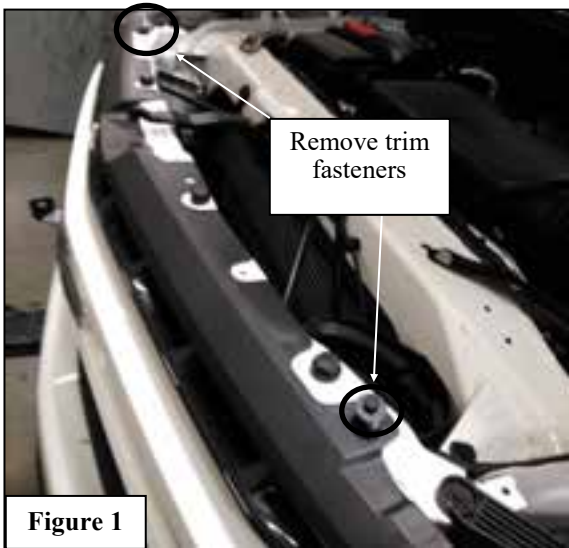
1. Remove contents from box, verify if all parts listed are present and free from damage. Carefully read and understand all instructions before attempting installation.
Failure to identify damage before installation could lead to a rejection of any claim.

BODY STYLE "A"

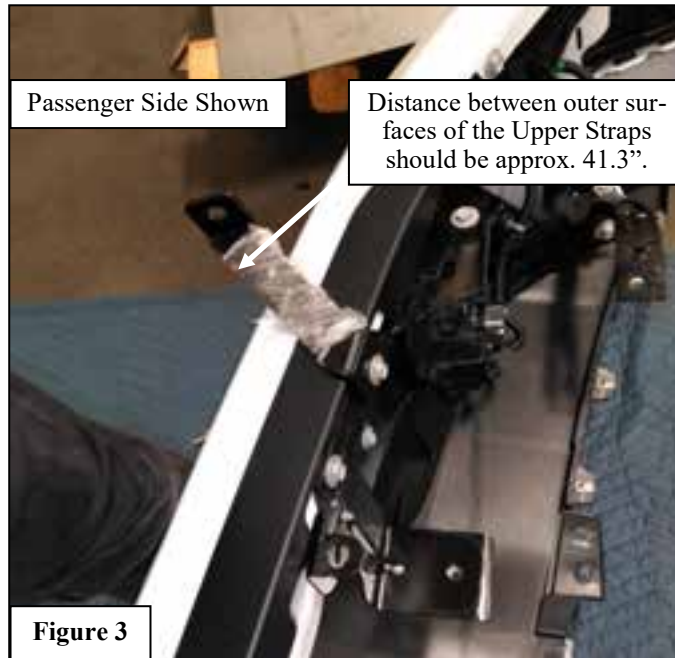


Body Style "A" Upper Strap Bracket

2. Begin by removing the plastic clips holding the air intake splash shield in place, and remove the splash shield.
3. Remove the fasteners holding the grille in place. Also, detach the clips from the wings on the grille. See **Figures 1 & 2** for reference.
4. Remove the grille by pulling firmly and carefully at the bottom of the grille.



5. Use the OEM hardware to secure the Upper Strap Bracket (Items 4-5) to the bumper. **Note:** Bumper shown off of the vehicle for viewing purposes. See **Figure 3** for reference.
6. Reinstall the grille and the air intake splash shield.



Body Style "B" Upper Support Bracket

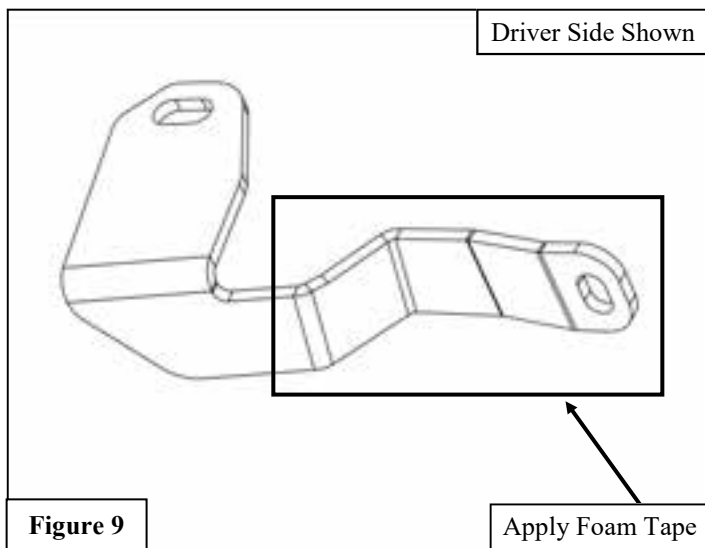
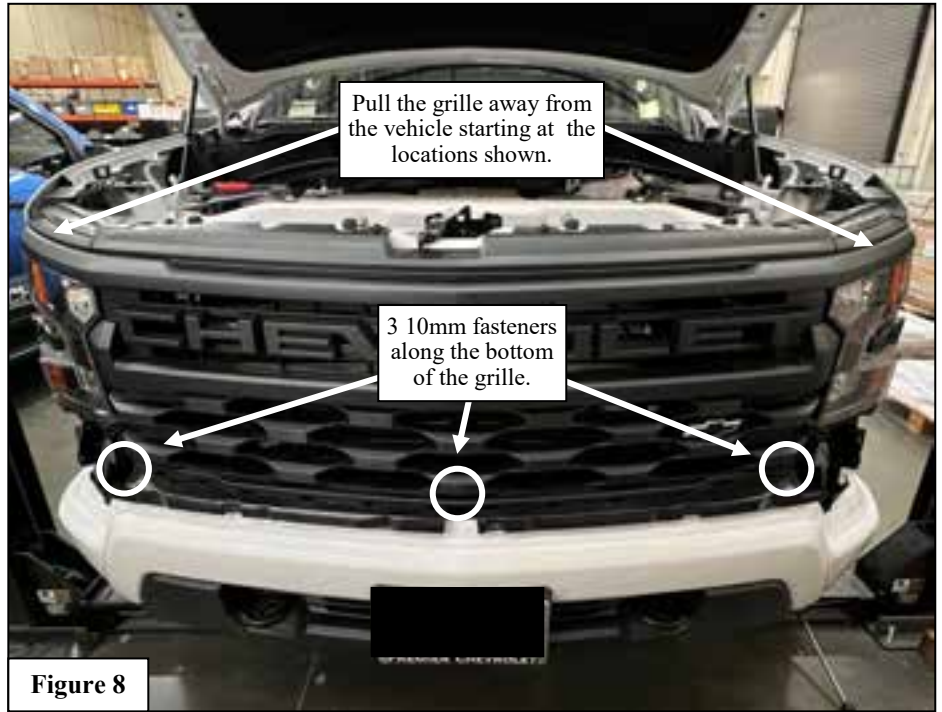
7. Remove the three fasteners retaining the panel above the bumper from the inside of the wheel wells. See **Figure 4** for reference.
8. Remove the trim panel from the clips near the headlights. Use a pry tool if necessary. See **Figure 5**.



9. On both sides of the vehicle, use a pry tool to remove the fascia panel from the clips shown. See **Figures 6** for reference.
10. Remove the fascia panel above the bumper. **Note:** The fascia panel contains plastic clips retaining it to the rest of the vehicle. Pull firmly and carefully on the fascia to remove it.



11. Remove the plastic clips holding the air intake splash shield in place, and remove the splash shield.
12. Remove the fasteners retaining the grille. There are 4 fasteners along the top and three along the bottom. See **Figures 7 & 8** for reference.
13. Remove the grille from the clips above the headlights. See **Figure 8** for reference.
14. Remove the grille by firmly and carefully pulling it away from the vehicle.
15. Trim and apply foam tape to the Upper Support Straps (Items 18-19). See **Figure 9** for reference.
16. Use the OEM hardware to install the Upper Support Straps to the bumper. See **Figures 9 & 10** for reference.
17. Adjust the support straps and torque the OEM hardware to 32 ft-lbs.

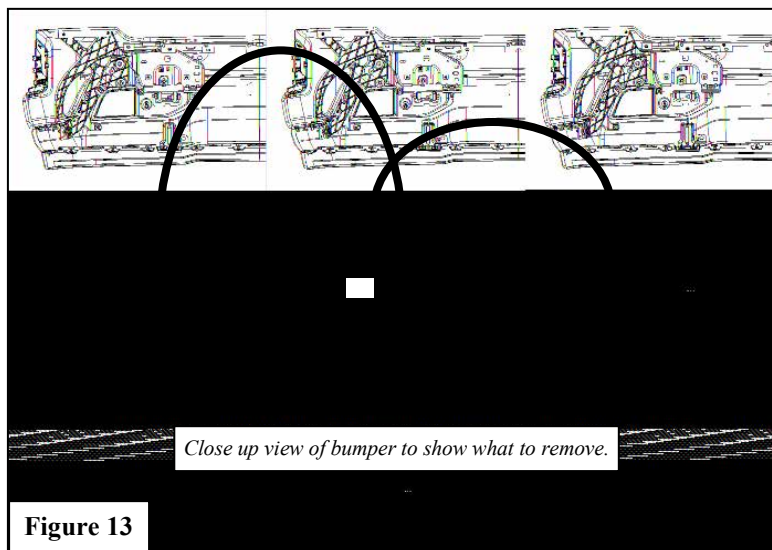


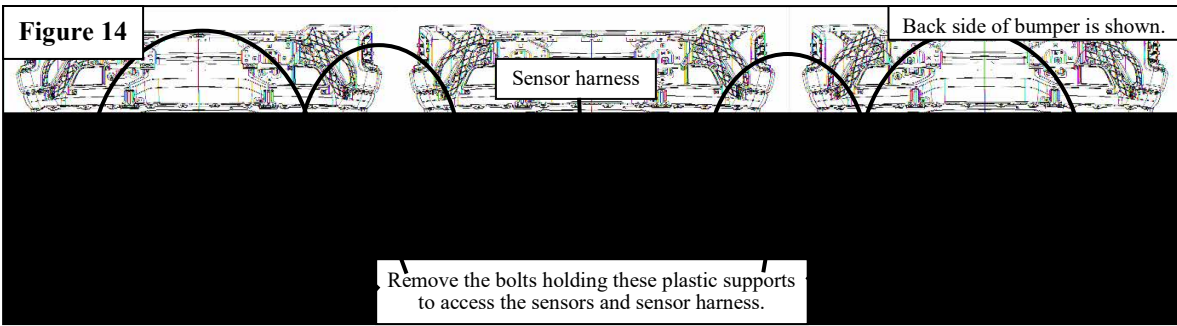
Body Style "A" & "B" Sensor Relocation

11. Remove the 4 bolts behind the plastic cover securing the bumper to the vehicle. See **Figure 11** for reference.
12. Remove the bolts on the bottom of the frame securing the bumper supports to the rest of the vehicle. See **Figure 12** for reference.

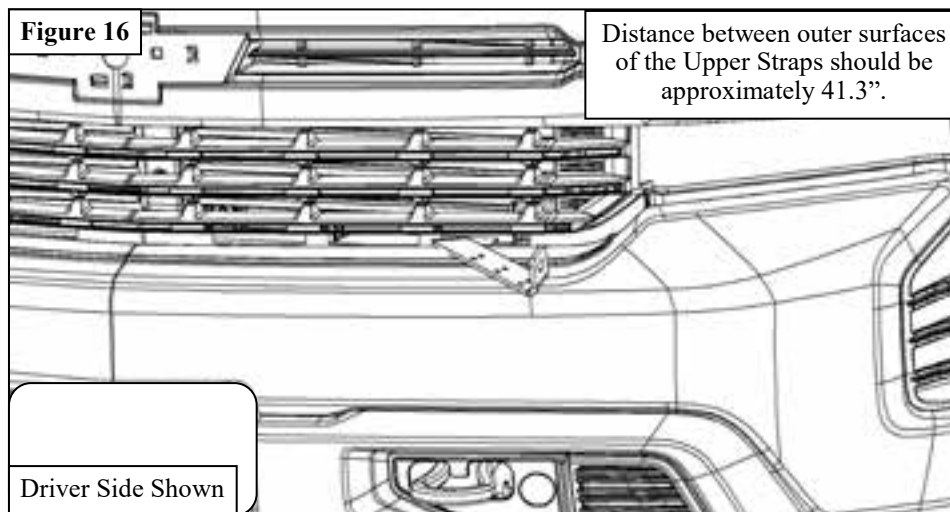


13. Once the bumper is removed from the vehicle, remove the bolts holding the plastic supports to the bumper in order to access the sensors and sensor wiring harness. Remove the sensors carefully and make sure to pay attention to the sensor orientation since they must be reinstalled in that orientation. See **Figures 13 & 14** for reference.
14. After you remove the sensors and harness, reinstall the plastic supports that were previously removed.



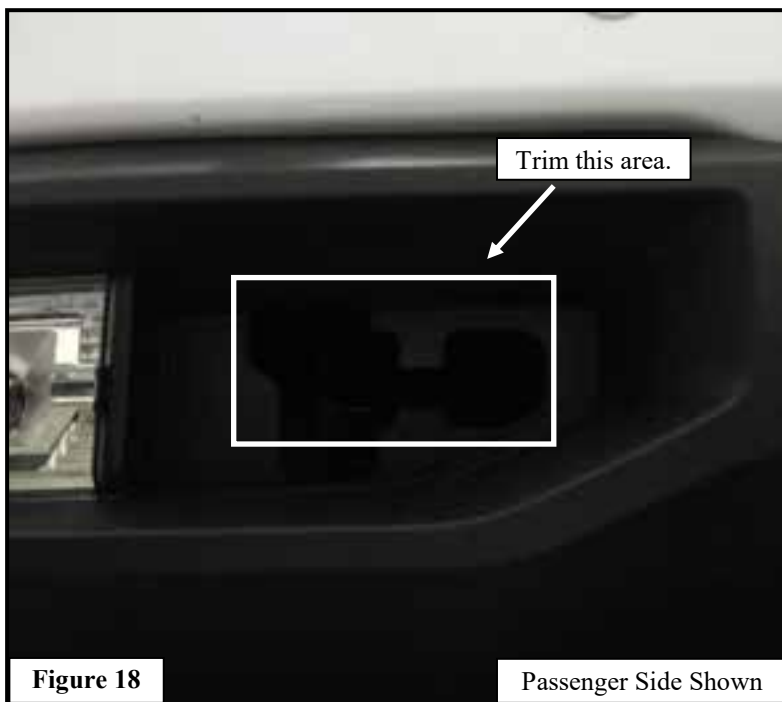
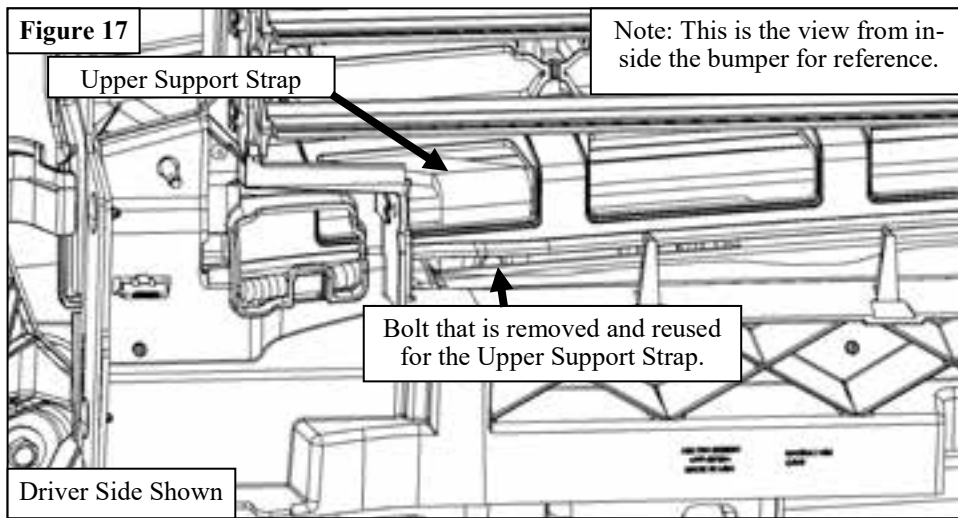


15. Use the OEM hardware to secure the Upper Strap Bracket (Items 4-5) to the bumper. See **Figure 15** for reference.
16. Reinstall the OEM bumper, route the wiring harness, and then reinstall the grille **before proceeding** with the installation. See **Figure 16**. (**NOTE**- Carefully route the original harness in between the grille and the OEM bumper to be able to connect the sensor harness extensions to the OEM harness. Use the provided Zip Ties (26) to secure the harness in place. See **Figure 15** for reference.)



Body Style "A" Trimming Instructions

17. Carefully trim the factory tow hook pocket area to fit the Lower Mounting Brackets (Items 2-3). See **Figure 17 & 18** for reference.



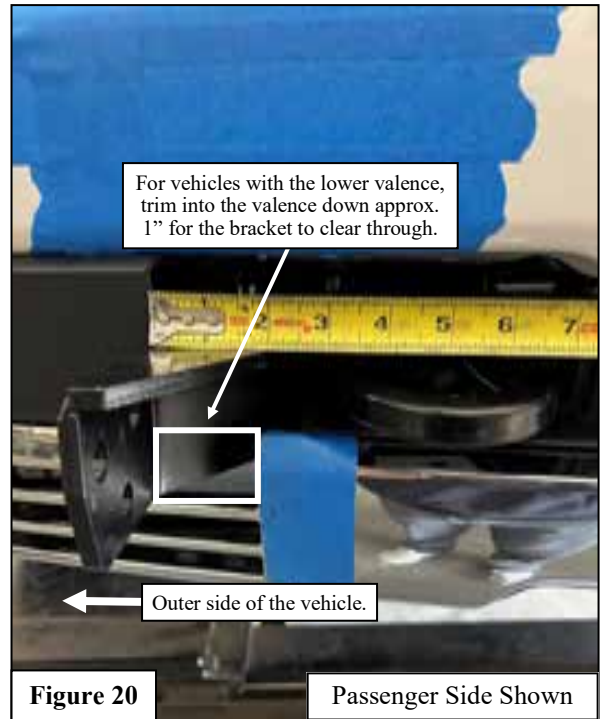
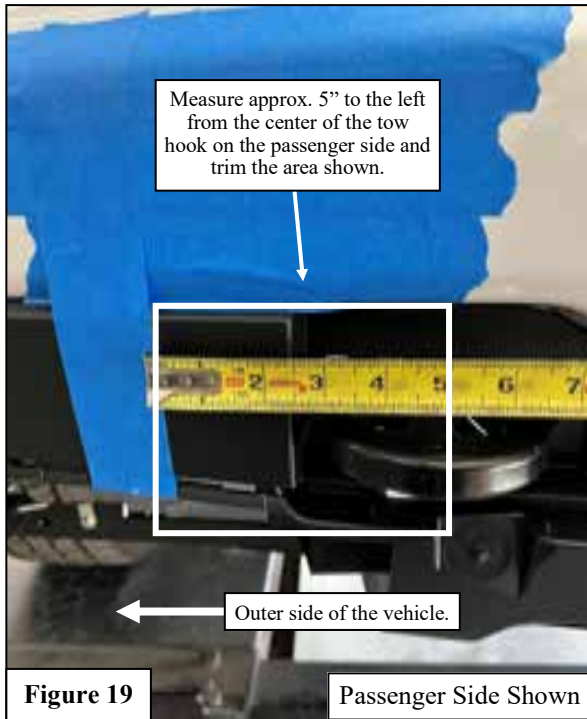
Westin Automotive Products, Inc.
320 W. Covina Blvd
San Dimas, Ca. 91773

Body Style "B" Trimming Instructions

18. Carefully trim the factory tow hook pocket and lower valence area to fit the Lower Mounting Bracket (Items 2-3). See **Figures 19 through 21** for reference.

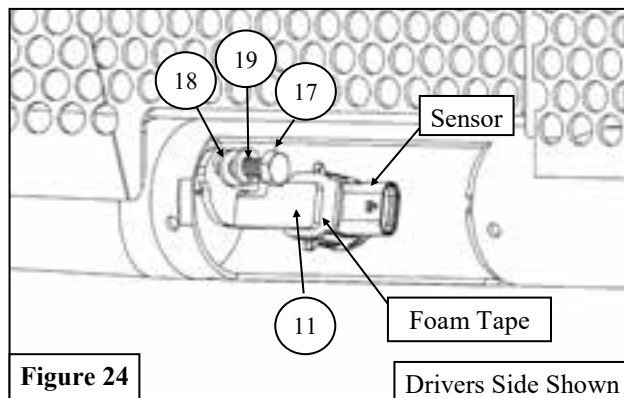
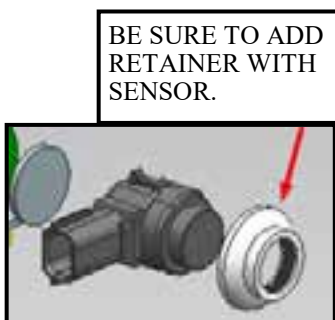
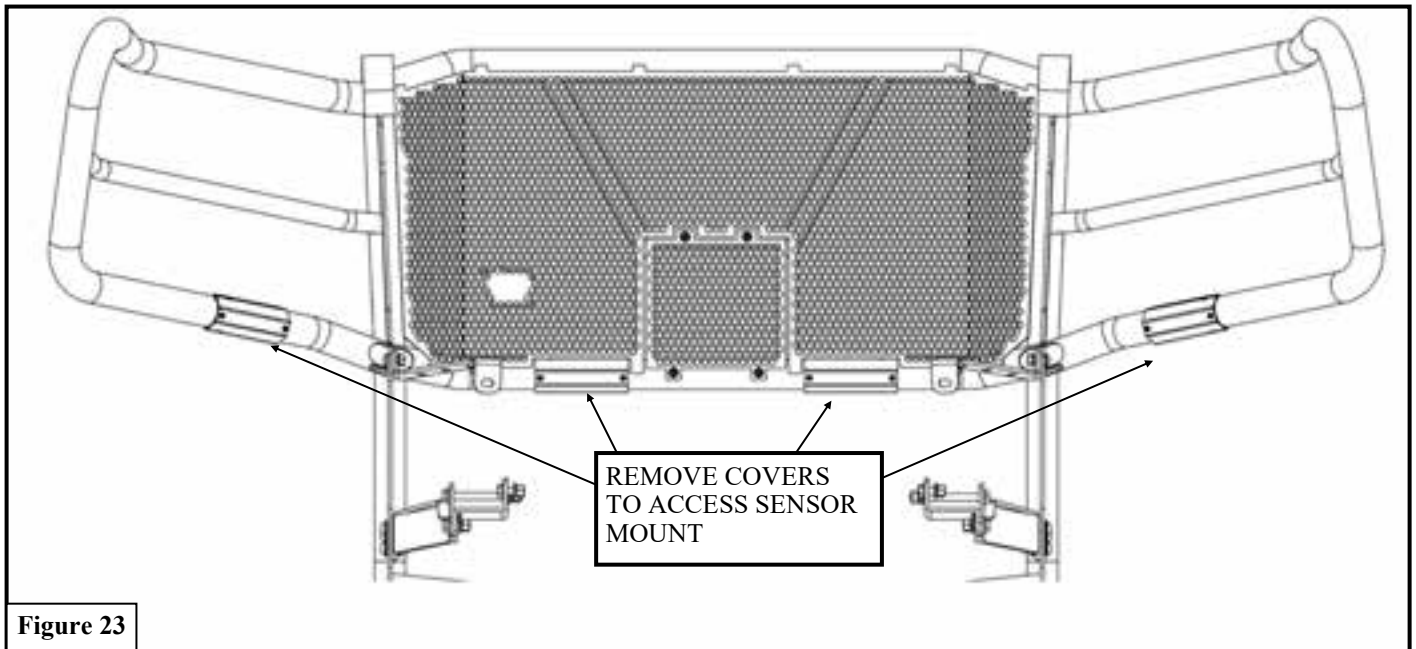
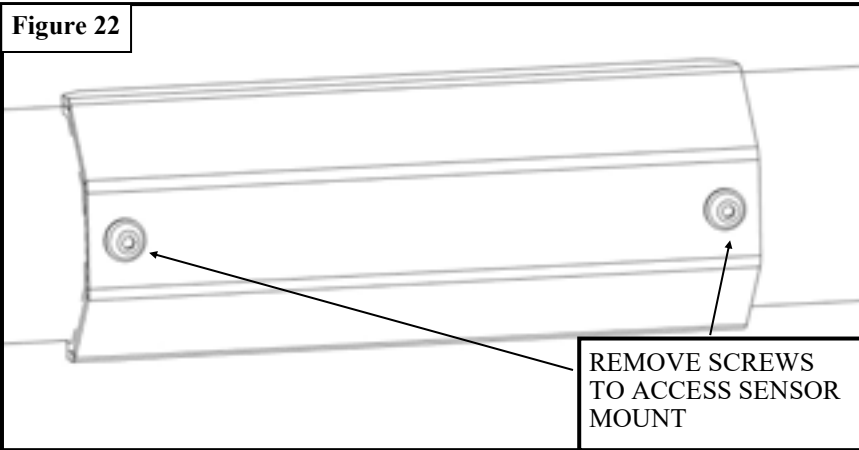
Notes:

- *Make sure you remove the rubber tow hook covers prior to trimming.*
- *Some vehicle trims do not have the chrome lower valence, but trimming of the plastic valence is still required.*
- *It is recommended to use blue masking tape to protect the area around the tow hook pocket from scratches or damage.*
- *It is recommended to incrementally trim, and test fit the brackets as you trim, to avoid over trimming the tow hook pocket and lower valence area.*

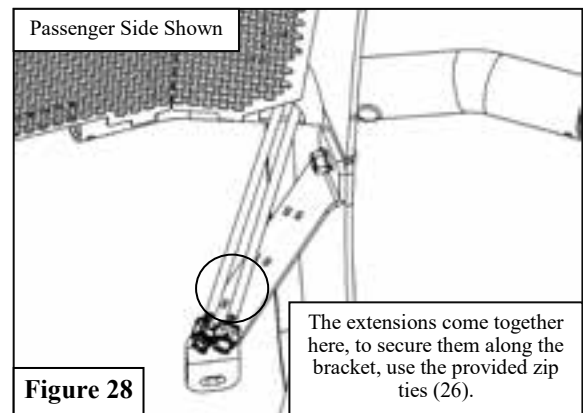
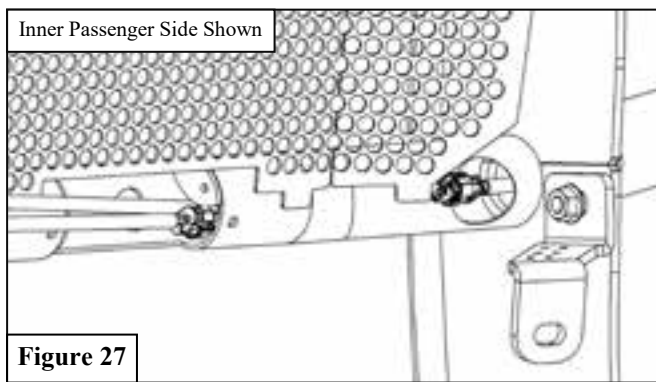
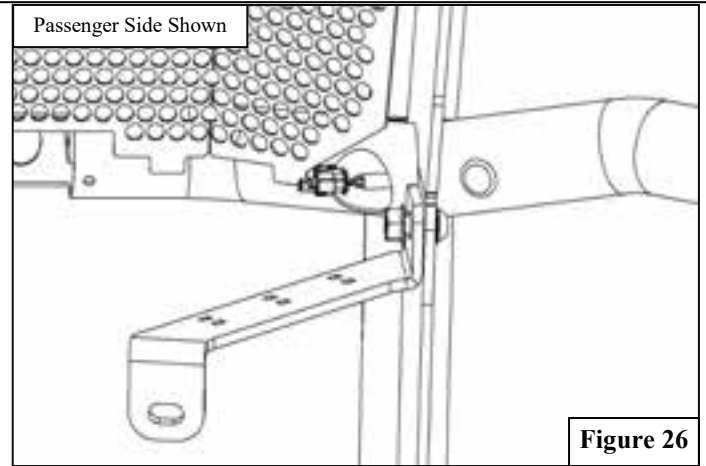
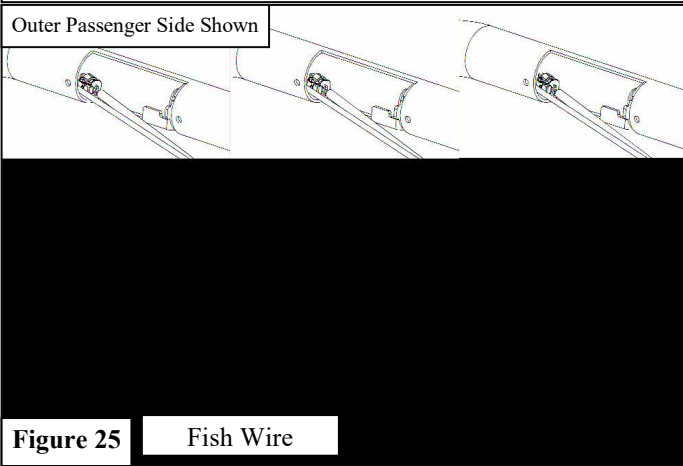


Body Style "A" & "B" Instructions

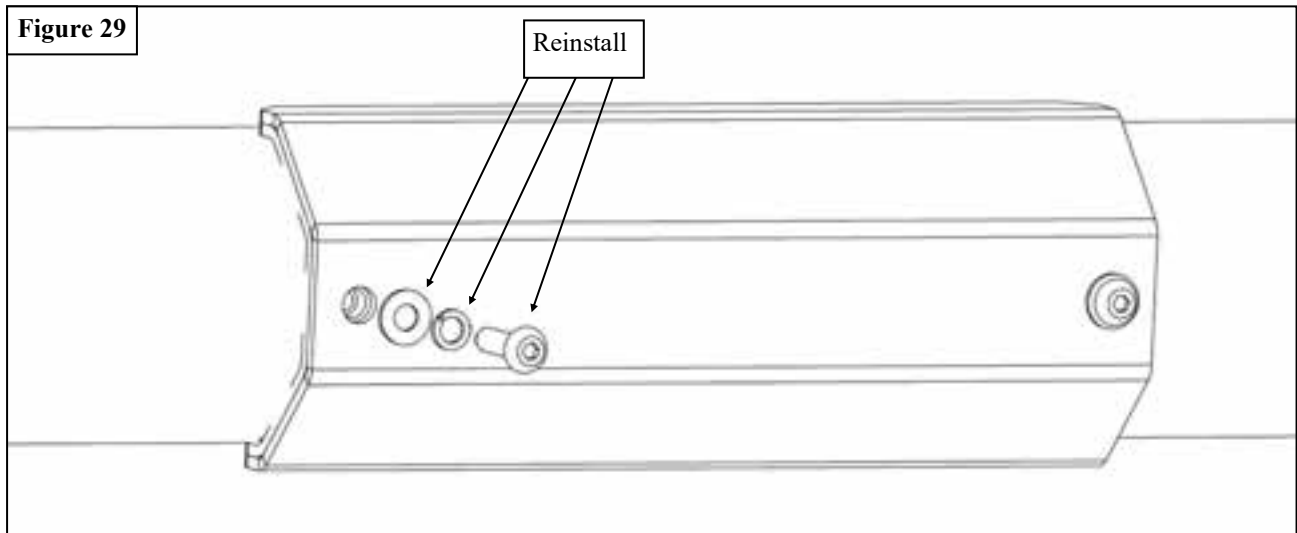
19. Unbolt the pre-installed tube covers from the grille guard by unscrewing M6 button head bolts. . See **Figure 22-23**
20. Mount the sensors onto the Grille Guard (1) in the same orientation that they were on the OEM bumper using the Sensor Tabs (11-12) and the provided M6 hardware.. See **Figure 24.** *Note: The double sided tape (27) may be used to secure the Sensor Tabs to the Sensor.*



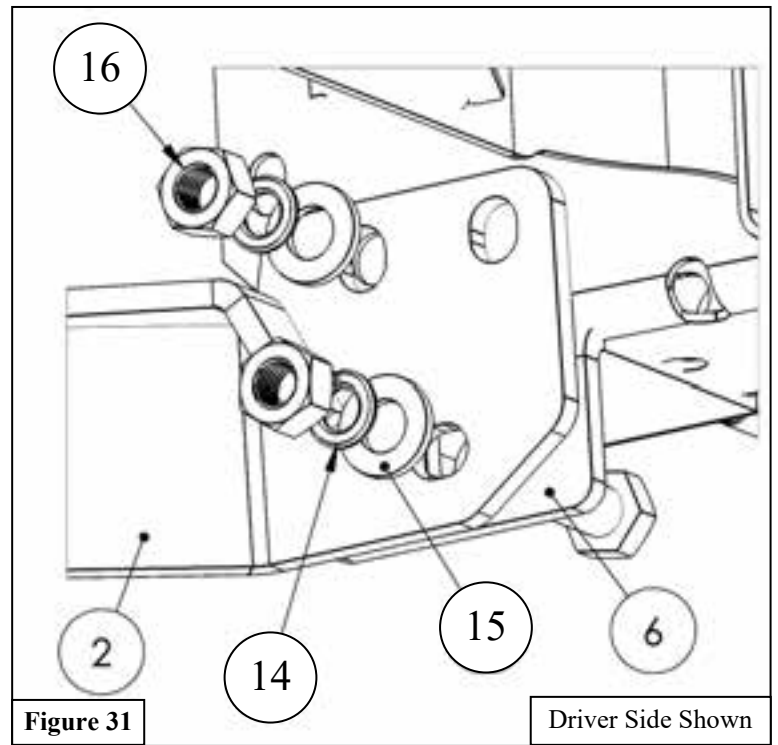
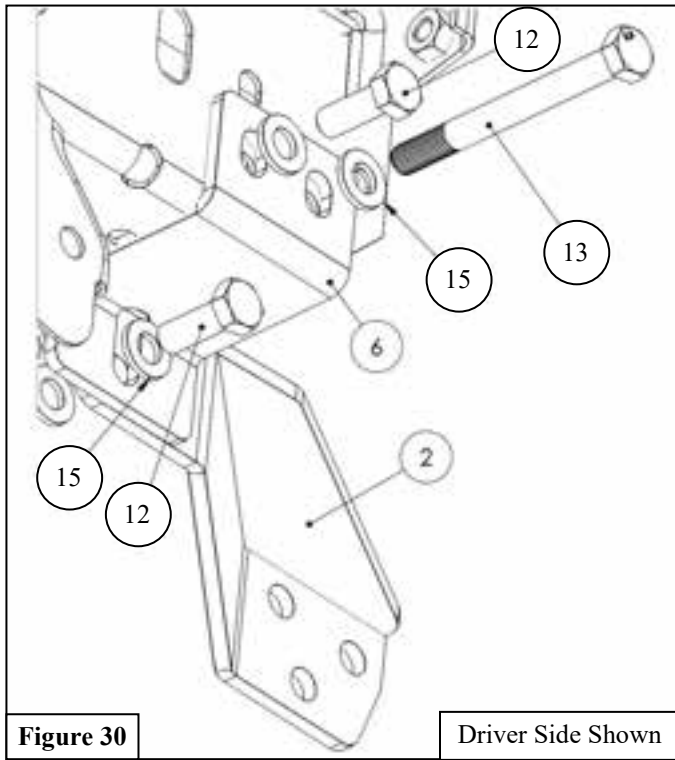
21. Locate the Harness Extensions (9) and route the extension wire using the supplied Fish Wire (28) through the grille guard tube covers before installing the sensors. See Figures 25-28.



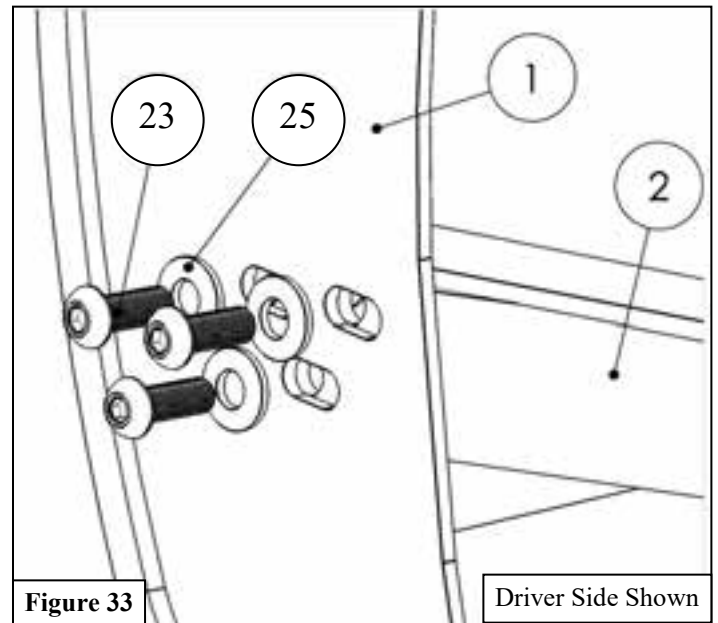
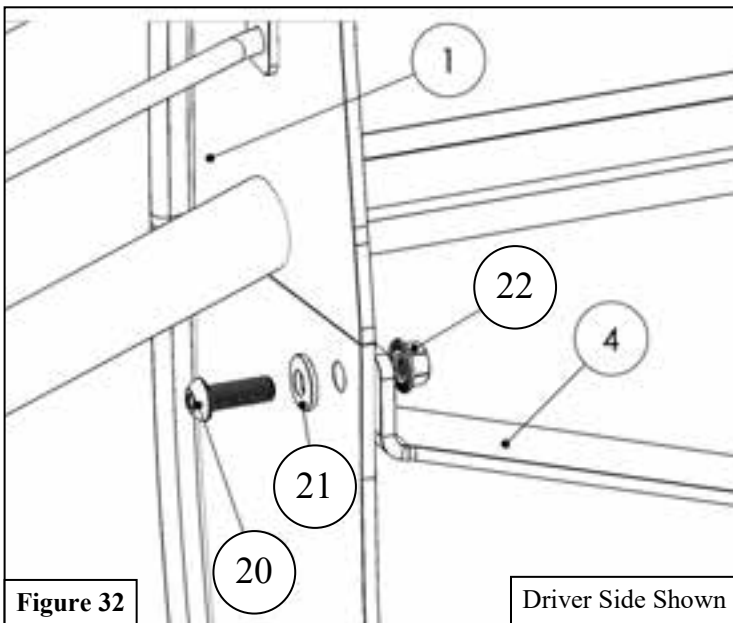
22. Reinstall the sensor covers using the same hardware you removed. See Figure 29.



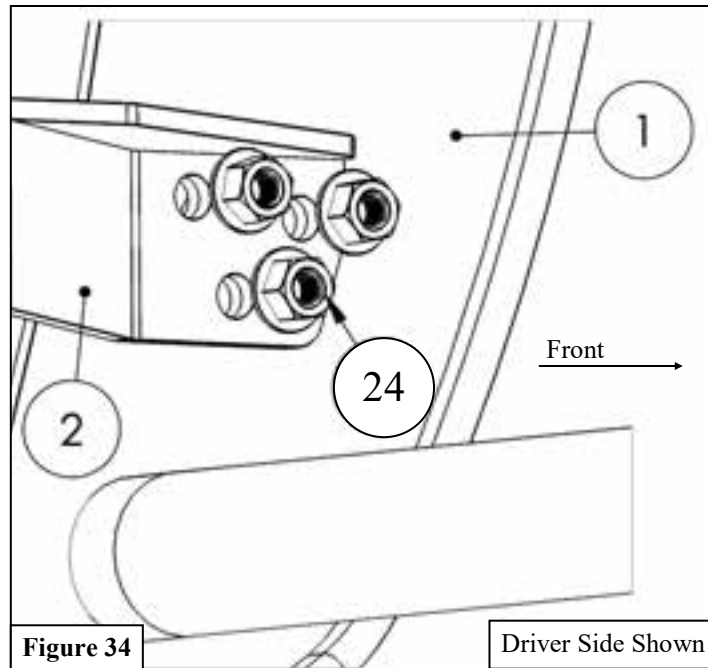
23. Install the Lower Mounting Bracket (2-3) and Lower Support Strap (6) to the frame using the supplied M12 Hardware. See **Figures 30 & 31**



24. Use the supplied M10 and M12 Hardware (12-17) to secure the Grille Guard to the Mounting Brackets/Straps. See **Figures 32 & 33**



25. Adjust the Assembly as desired and tighten all hardware: M10 to 32 ft-lbs, M12 to 55 ft-lbs. See **Figure 34**



INSTALLATION COMPLETE



CARE INSTRUCTIONS

- REGULAR WAXING IS RECOMMENDED. DO NOT USE ANY TYPE OF POLISH OR WAX THAT MAY CONTAIN ABRASIVES.
- STAINLESS STEEL PRODUCTS CAN BE CLEANED WITH MILD SOAP AND WATER. STAINLESS STEEL POLISH SHOULD BE USED TO POLISH SMALL SCRATCHES.
- GLOSS BLACK FINISHES SHOULD BE CLEANED WITH MILD SOAP AND WATER.

WESTIN Westin Automotive Products, Inc.
320 W. Covina Blvd
San Dimas, Ca. 91773

Thank you for choosing Westin products
for additional installation assistance please call
Customer Service (800) 793-7846
www.westinautomotive.com



WARNING



Failure to follow these instructions could lead to death, personal injury, and / or property damage.

Failure to follow these instructions could lead to death, personal injury, and / or property damage.

FASTENERS:

All Westin supplied fasteners must be utilized and installed in accordance with the installation instructions and apply torque to the specifications as defined. **DOUBLE CHECK ALL FASTENERS BEFORE INITIAL USE, AND PERIODICALLY IN THE FUTURE TO ENSURE PROPER FUNCTION AND SAFETY.**

DRILLING:

Most Westin products do not require drilling for installation. If drilling is defined as required, use caution when drilling a vehicle. **FAILURE TO REVIEW AN AREA TO BE DRILLED MAY RESULT IN PERSONAL INJURY AND/OR INJURY TO OTHERS AS WELL AS VEHICLE DAMAGE.**

EYE PROTECTION:

ALWAYS WEAR SAFETY GLASSES OR GOGGLES DURING THE INSTALLATION PROCESS TO AVOID PERSONAL INJURY.

MAXIMUM TOWING/CARRYING CAPACITY: (if applicable)

The Westin Receiver Hitches will have a visible tow rating label affixed directly on the product. User should never exceed the vehicle manufacturers maximum tow and weight rating regardless of the capacity of the hitch. **FAILURE TO FOLLOW THESE GUIDELINES WILL VOID THE WESTIN WARRANTY AND MAY RESULT IN PERSONAL INJURY AND/OR INJURY TO OTHERS AS WELL AS VEHICLE DAMAGE.**

FOR CALIFORNIA RESIDENTS ONLY-PROP 65 WARNING:

Some products may contain chemicals such as DEHP, which can cause cancer, birth defects or other reproductive harm. For more info go to www.p65warnings.ca.gov



Westin Automotive Products, Inc.
320 W. Covina Blvd
San Dimas, Ca. 91773