

INSTALLATION INSTRUCTIONS



HDX MODULAR GRILLE GUARD

APPLICATION:

2019-2022 Ram 1500

(Excl. Classic, Rebel, TRX, & Warlock) (Excl. ECO Diesel)

PART NUMBER:

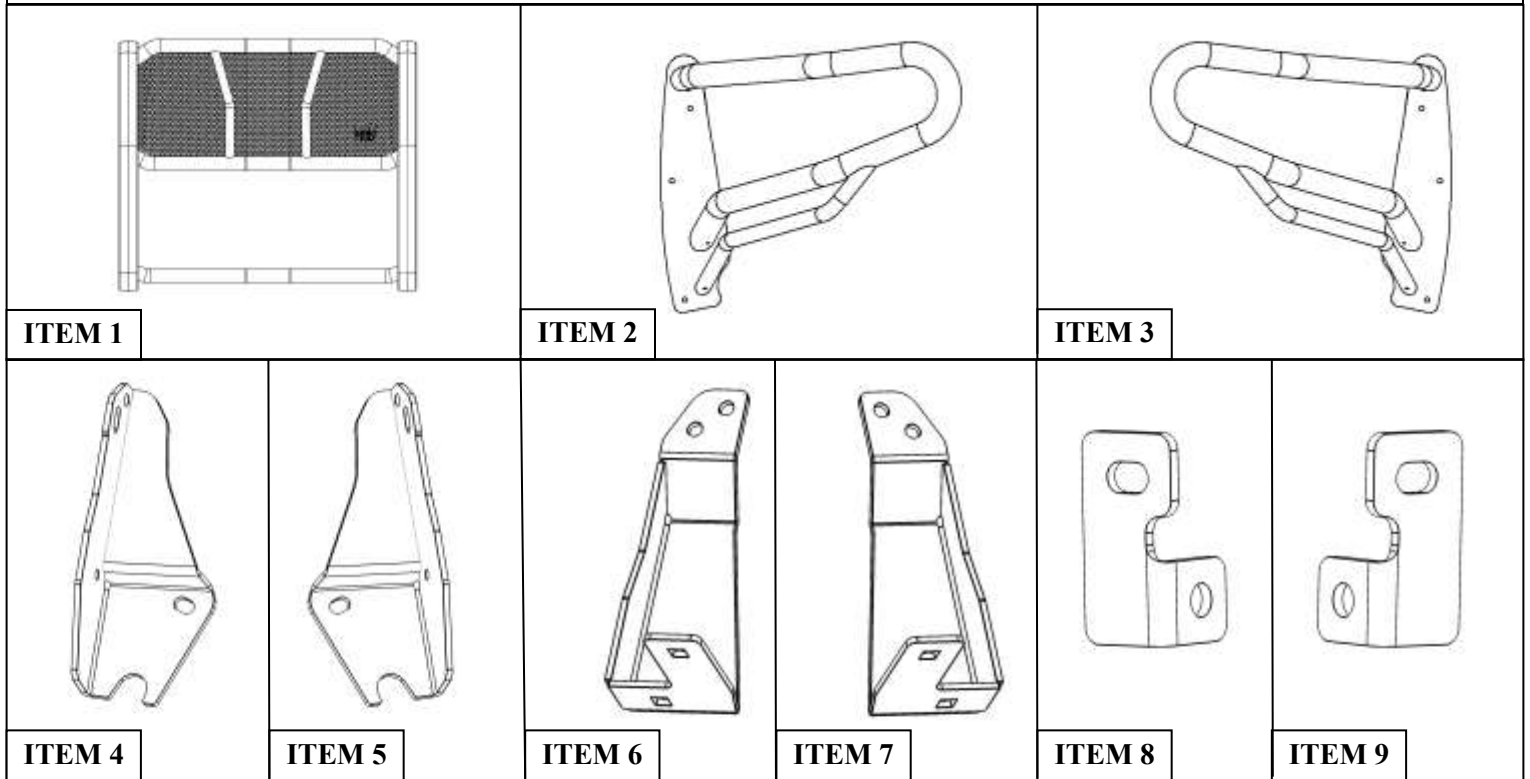
57-23970, 57-23975

CONTENT			
ITEM	QUANTITY	DESCRIPTION	TOOLS NEEDED
1	1	HDX GRILLE GUARD BASE	10MM SOCKET
2	1	HDX GRILLE GUARD DRIVER WING	13MM SOCKET
3	1	HDX GRILLE GUARD PASSENGER WING	16MM SOCKET
4	1	DRIVER SIDE LOWER MOUNTING BRACKET	16MM WRENCH
5	1	PASSENGER SIDE LOWER MOUNTING BRACKET	18MM SOCKET
6	1	DRIVER SIDE UPPER SUPPORT STRAP	18MM WRENCH
7	1	PASSENGER SIDE UPPER SUPPORT STRAP	HAMMER
8	1	DRIVER SIDE LOWER SUPPORT STRAP	UTILITY KNIFE
9	1	PASSENGER SIDE LOWER SUPPORT STRAP	RATCHET
10	8	M8 SERRATED FLANGED NUT (<i>RAW S/S OR BLACK ZINC</i>)	TORQUE WRENCH
11	8	M8 HEX BUTTON HEAD SCREW (<i>RAW S/S OR BLACK ZINC</i>)	PRYBAR
12	8	M8 BELLVILLE WASHER (<i>RAW S/S OR BLACK ZINC</i>)	ALLEN WRENCH
13	4	M10 HEX SOCKET BUTTON HEAD SCREW (<i>RAW S/S OR BLACK ZINC</i>)	
14	4	M10 BELLVILLE WASHER (<i>RAW S/S OR BLACK ZINC</i>)	
15	4	M10 SERRATED FLANGED NUT (<i>RAW S/S OR BLACK ZINC</i>)	
16	4	M10 HEX HEAD CAP SCREW (<i>BLACK ZINC</i>)	
17	6	M10 SMALL FLAT WASHER (<i>BLACK ZINC</i>)	
18	4	M10 SPLIT LOCK WASHER (<i>BLACK ZINC</i>)	
19	4	M10 HEX NUT (<i>BLACK ZINC</i>)	
20	2	M10 LARGE FLAT WASHER (<i>BLACK ZINC</i>)	
21	4	M12 HEX SOCKET BUTTON HEAD SCREW (<i>RAW S/S OR BLACK ZINC</i>)	
22	8, 4*	M12 SPLIT LOCK WASHER (<i>BLACK ZINC</i>)	
23	10, 2*	M12 SMALL FLAT WASHER (<i>BLACK ZINC</i>)	
24	8, 4*	M12 HEX NUT (<i>BLACK ZINC</i>)	
25	4*	M12 SPLIT LOCK WASHER (<i>RAW S/S</i>)	
26	8*	M12 SMALL FLAT WASHER (<i>RAW S/S</i>)	
27	4*	M12 HEX NUT (<i>RAW S/S</i>)	
28	4	M12 POLY RETAINER	
29	4	M12 ROUND HEAD SQUARE NECK BOLT (<i>BLACK ZINC</i>)	
30	2	M12 LARGE FLAT WASHER (<i>BLACK ZINC</i>)	
ANTI-SEIZE LUBRICANT MUST BE USED ON ALL STAINLESS STEEL FASTENERS TO PREVENT THREAD DAMAGE AND GALLING			
Note: Items with asterisk* are included with the S/S Polished HDX Modular Grille Guard only.			

ITEM	QUANTITY	DESCRIPTION	TOOLS NEEDED
31	2	M14 HEX HEAD CAP SCREW	
32	2	M14 SPLIT LOCK WASHERS	
33	2	M14 FLAT WASHERS	

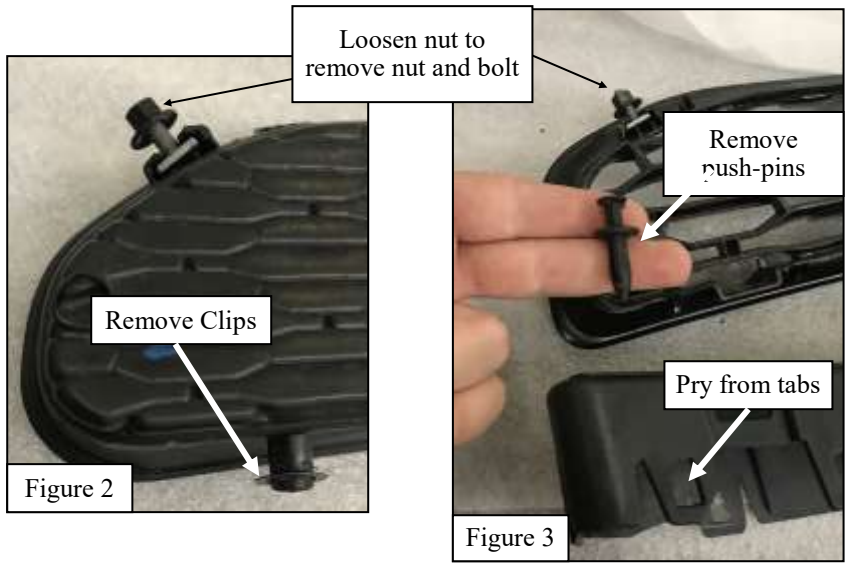
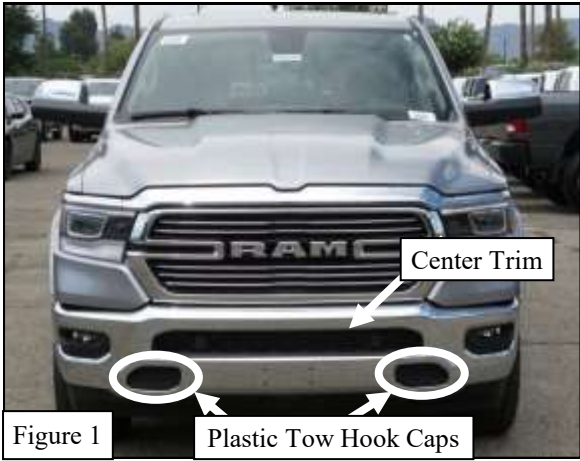
ANTI-SEIZE LUBRICANT MUST BE USED ON ALL STAINLESS STEEL FASTENERS TO PREVENT THREAD DAMAGE AND GALLING

Note: Items with asterisk* are included with the S/S Polished HDX Modular Grille Guard *only*.

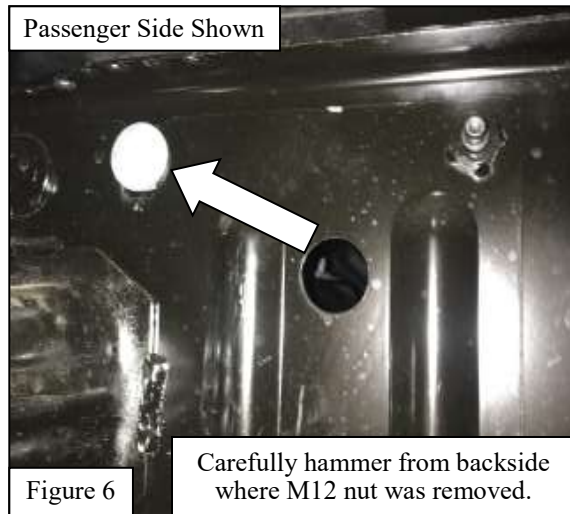
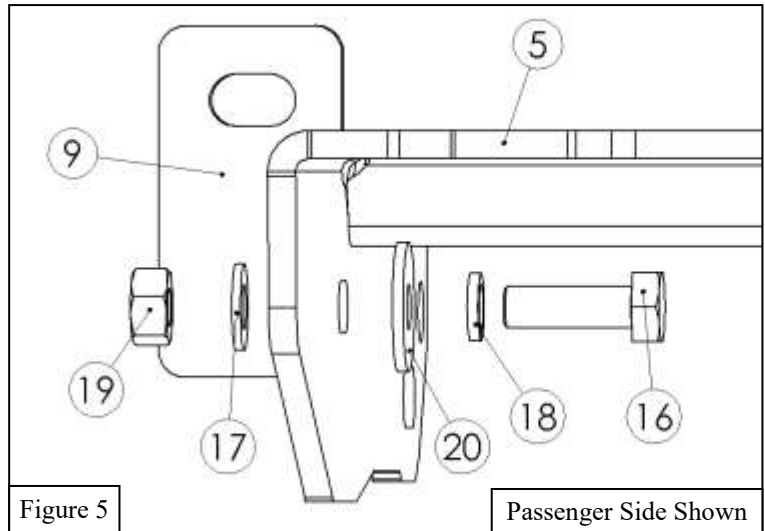
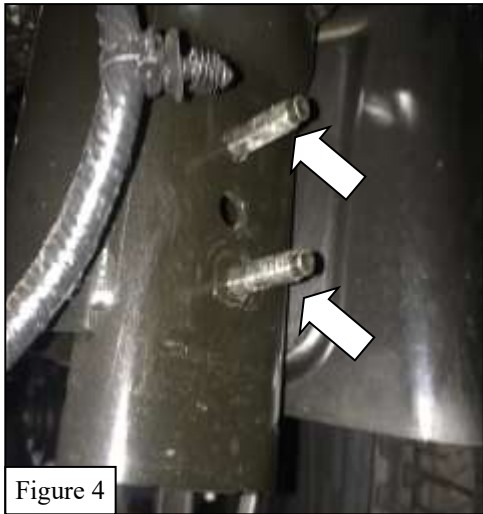


PROCEDURE

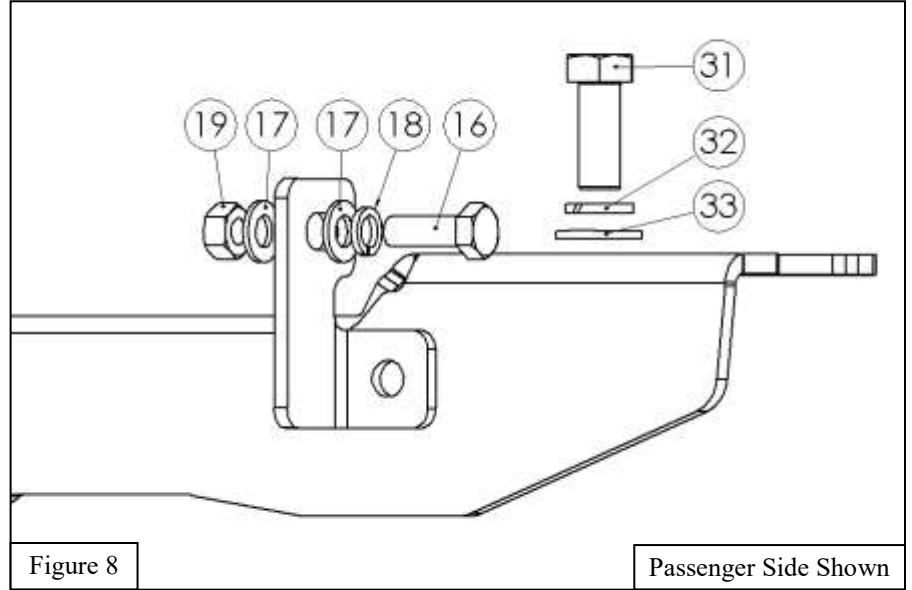
- Remove contents from box, verify if all parts listed are present and free from damage. Carefully read and understand all instructions before attempting installation.
Failure to identify damage before installation could lead to a rejection of any claim.
- Begin by removing the plastic caps for the tow hook attachment area by removing the nuts and clips on top and bottom. If tow hooks are present, they will need to be removed and will not be used again. Also remove the long center bumper trim by removing the cover on the backside, and removing the push pins and nuts. See **Figures 1 through 3** for reference.
- Opening the vehicle hood may help with the rest of the installation.
- Although not necessary, it may also be helpful to remove the Active Valence. Doing so requires a 13MM socket and removing the two nuts off of each stud. See **Figure 4**. The valence may be reinstalled after completing the installation.



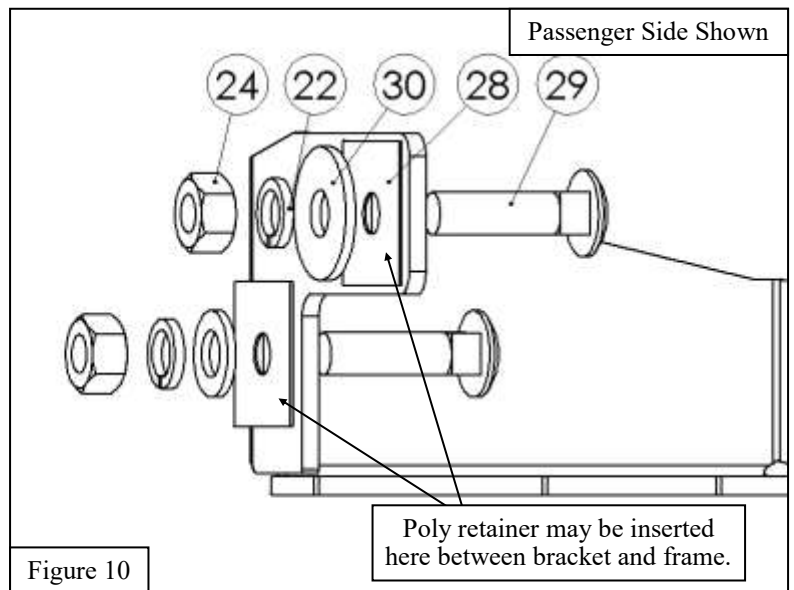
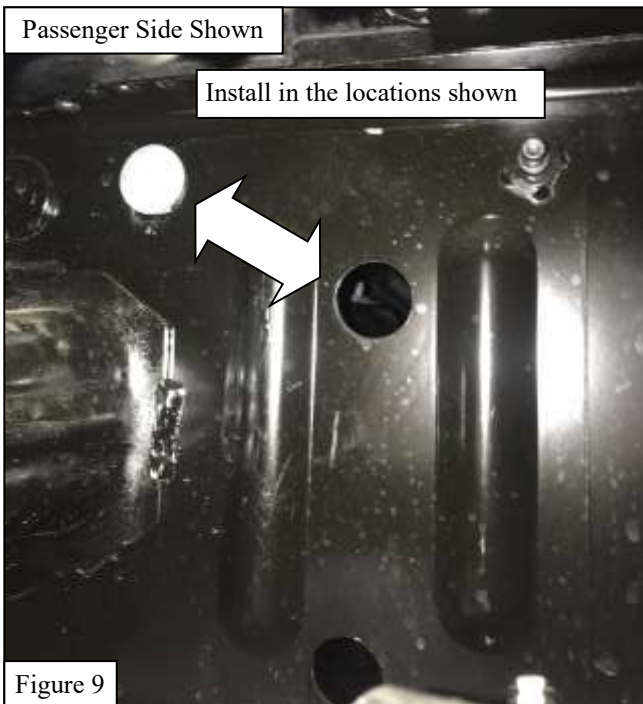
5. Loosely preassemble the Lower Mounting Brackets (**Items 4 & 5**) and Lower Support Straps (**Items 8 & 9**) with the provided M10 Hardware (**Items 16-20**). See **Figure 5** for reference.
6. Remove the factory M12 nut. Then, use a hammer to carefully punch out the factory carriage bolt. A pry bar may also be helpful. See **Figure 6** for reference.



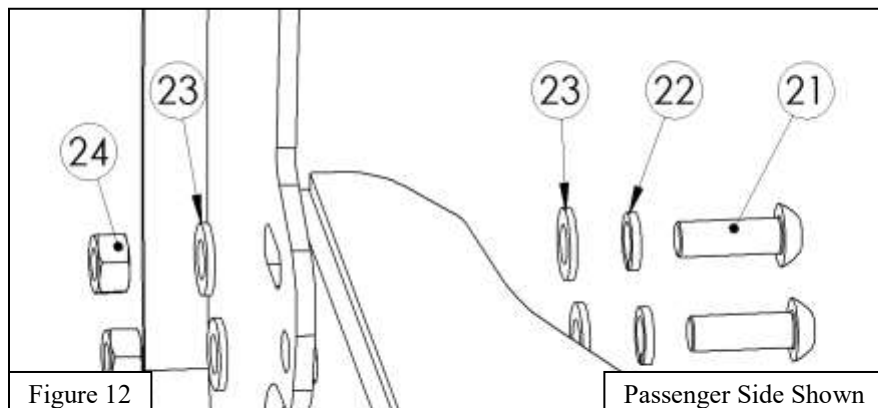
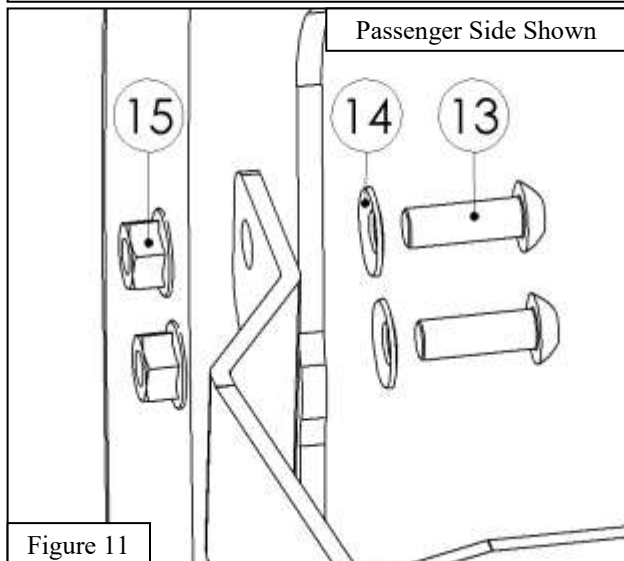
7. Attach the preassembled Lower Mounting Bracket and Lower Support Strap to the frame using the supplied M10 and M14 Hardware (Items 28-30). See Figures 7 & 8. **Note:** Leave the hardware loosely installed to allow room for adjustment.



8. Attach the Upper Support Strap (Items 6 & 7) to the frame in the same location of the previously removed carriage bolt. Attach using the provided M12 Hardware (Items 22, 24, 26, & 27). See Figures 9 & 10. **Note:** A poly retainer may be used to hold the Round Head Square Neck Bolt in place while positioning the brackets.

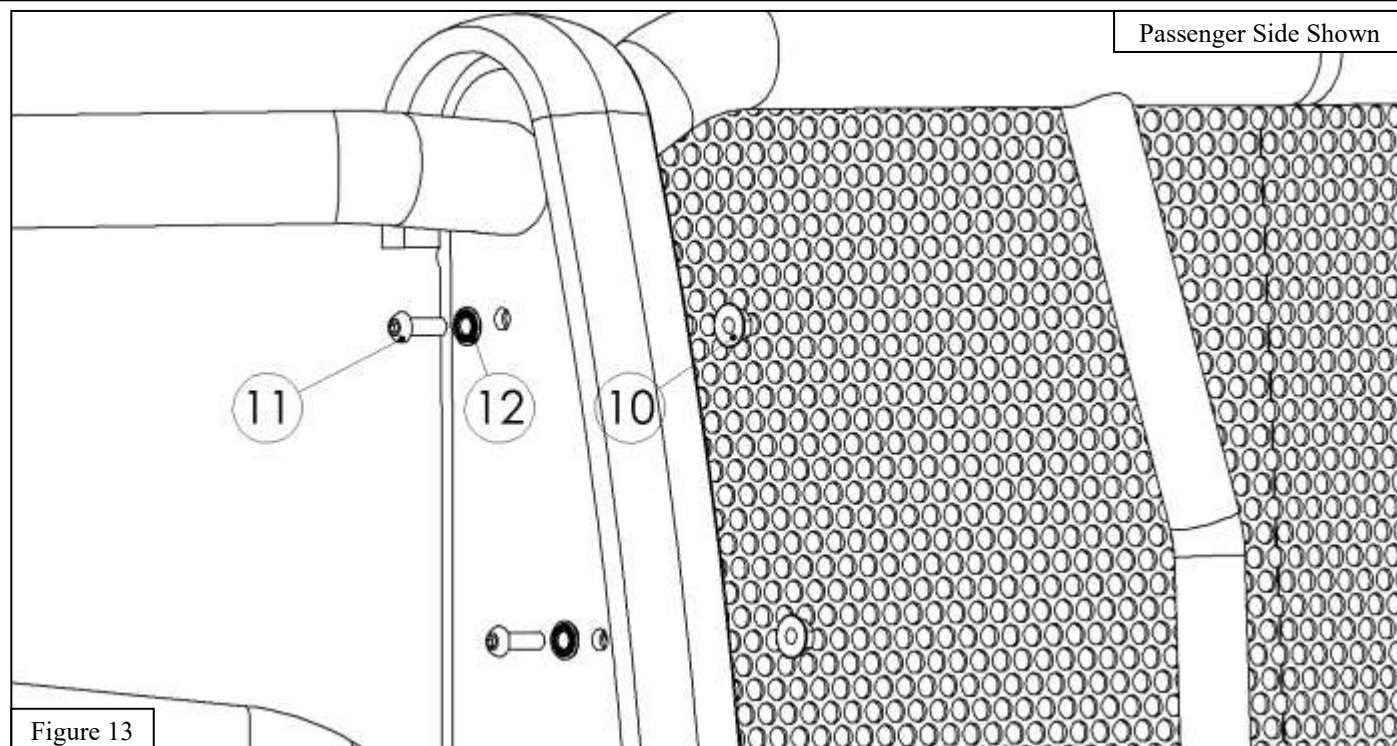


9. Lift the Grille Guard Base (**Item 1**) into place. Attach the Grille Guard Base to the previously installed mounting brackets using the supplied M10 (**Items 13, 14, & 15**) and M12 (**Items 21, 22, 23, & 24**) Hardware. See **Figures 11 & 12** for reference.
10. Adjust the assembly to the desired position and tighten all hardware: M10 to 32 ft-lbs., M12 to 55 ft-lbs., & M14 to 88 ft-lbs.
11. Trim the plastic inserts removed in **Step 2** as necessary to allow room for the mounting brackets and reinstall them to the vehicle.



12. Locate and install the Grille Guard Driver and Passenger Wings using the supplied M8 (**Items 10, 11, & 12**) hardware. See **Figure 13** for reference.
13. Align and adjust the Grille Guard Driver and passenger Wings as necessary. Then fully tighten and torque all M8 hardware to 15-18 ft-lbs.

Note: Hardware items shown in the figures are for the Black HDX Modular Grille Guard. Raw S/S M12 and M10 hardware items should be used to mount the grille guard to the brackets for HDX S/S Polished Modular Grille Guard.



INSTALLATION COMPLETE



©2019 WESTIN AUTOMOTIVE PRODUCTS, INC. ALL RIGHTS RESERVED.

CARE INSTRUCTIONS

- REGULAR WAXING IS RECOMMENDED. DO NOT USE ANY TYPE OF POLISH OR WAX THAT MAY CONTAIN ABRASIVES.
- STAINLESS STEEL PRODUCTS CAN BE CLEANED WITH MILD SOAP AND WATER. STAINLESS STEEL POLISH SHOULD BE USED TO POLISH SMALL SCRATCHES.
- GLOSS BLACK FINISHES SHOULD BE CLEANED WITH MILD SOAP AND WATER.



Westin Automotive Products, Inc.
320 W. Covina Blvd
San Dimas, Ca. 91773

Thank you for choosing Westin products
for additional installation assistance please call
Customer Service (800) 793-7846
www.westinautomotive.com



WARNING



Failure to follow these instructions could lead to death, personal injury, and / or property damage.

Failure to follow these instructions could lead to death, personal injury, and / or property damage.

FASTENERS:

All Westin supplied fasteners must be utilized and installed in accordance with the installation instructions and apply torque to the specifications as defined. **DOUBLE CHECK ALL FASTENERS BEFORE INITIAL USE, AND PERIODICALLY IN THE FUTURE TO ENSURE PROPER FUNCTION AND SAFETY.**

DRILLING:

Most Westin products do not require drilling for installation. If drilling is defined as required, use caution when drilling a vehicle. **FAILURE TO REVIEW AN AREA TO BE DRILLED MAY RESULT IN PERSONAL INJURY AND/OR INJURY TO OTHERS AS WELL AS VEHICLE DAMAGE.**

EYE PROTECTION:

ALWAYS WEAR SAFETY GLASSES OR GOGGLES DURING THE INSTALLATION PROCESS TO AVOID PERSONAL INJURY.

MAXIMUM TOWING/CARRYING CAPACITY: (if applicable)

The Westin Receiver Hitches will have a visible tow rating label affixed directly on the product. User should never exceed the vehicle manufacturers maximum tow and weight rating regardless of the capacity of the hitch. **FAILURE TO FOLLOW THESE GUIDELINES WILL VOID THE WESTIN WARRANTY AND MAY RESULT IN PERSONAL INJURY AND/OR INJURY TO OTHERS AS WELL AS VEHICLE DAMAGE.**

FOR CALIFORNIA RESIDENTS ONLY-PROP 65 WARNING:

Some products may contain chemicals such as DEHP, which can cause cancer, birth defects or other reproductive harm. For more info go to www.p65warnings.ca.gov



Westin Automotive Products, Inc.
320 W. Covina Blvd
San Dimas, Ca. 91773