



INSTALLATION INSTRUCTIONS

HDX MODULAR GRILLE GUARD

APPLICATION:

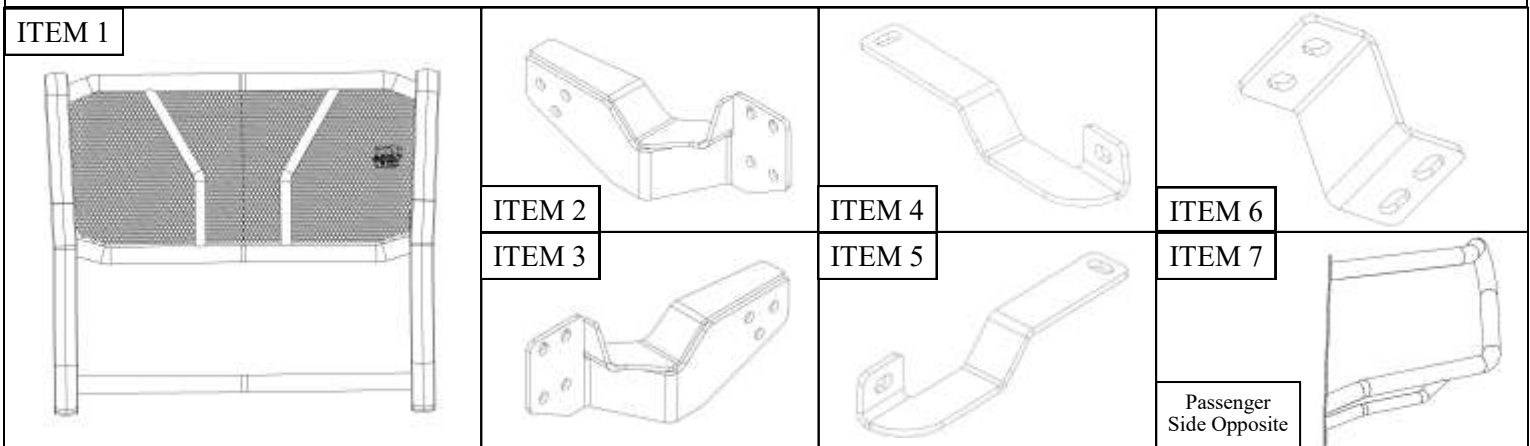
2019-2022 GMC Sierra 1500 (Excl. 2019 Limited, Diesel, & w/ Sensors)

PART NUMBER:

57-23960, 57-23965

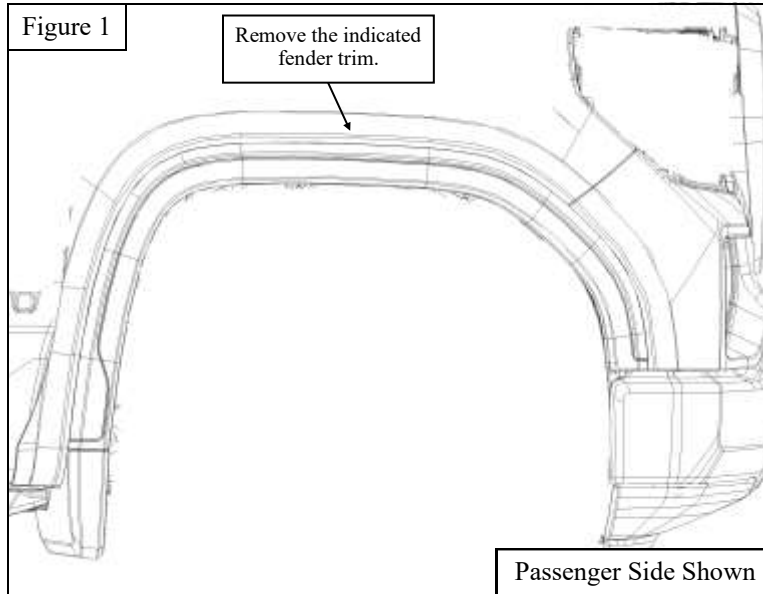
CONTENT			
ITEM	QUANTITY	DESCRIPTION	TOOLS NEEDED
1	1	HDX GRILLE GUARD BASE	RATCHET
2,3	2	LOWER MOUNTING BRACKET (1 DRIVER, 1 PASSENGER)	10MM SOCKET
4,5	2	UPPER SUPPORT STRAP (1 DRIVER, 1 PASSENGER)	12MM SOCKET
6	2	LOWER SUPPORT BRACKET	13MM SOCKET
7	1	HDX DRIVER WING	16MM SOCKET
8	1	HDX PASSENGER WING	18MM SOCKET
9	6	SHORT M12 HEX HEAD BOLT (YELLOW ZINC)	ALLEN WRENCH
10	2	LONG M12 HEX HEAD BOLT (YELLOW ZINC)	TORQUE WRENCH
11	8	M12 SPLIT LOCK WASHER (YELLOW ZINC)	FLAT HEAD SCREWDRIVER
12	14	SMALL M12 FLAT WASHER (YELLOW ZINC)	
13	2	LARGE M12 FLAT WASHER (YELLOW ZINC)	CUTTING TOOL
14	8	M12 HEX NUT (YELLOW ZINC)	
15	2	M10 BUTTON HEAD BOLT	
16	2	M10 BELLVILLE WASHER	
17	2	M10 SERRATED FLANGE NUT	
18	6	M12 BUTTON HEAD BOLT	
19	6	M12 SERRATED FLANGE NUT	
20	6	M12 BELLVILLE WASHER	
21	10	M8 BUTTON HEAD BOLT	
22	10	M8 BELLVILLE WASHER	
23	10	M8 SERRATED FLANGE NUT	

ANTI-SEIZE LUBRICANT MUST BE USED ON ALL STAINLESS STEEL FASTENERS TO PREVENT THREAD DAMAGE AND GALLING

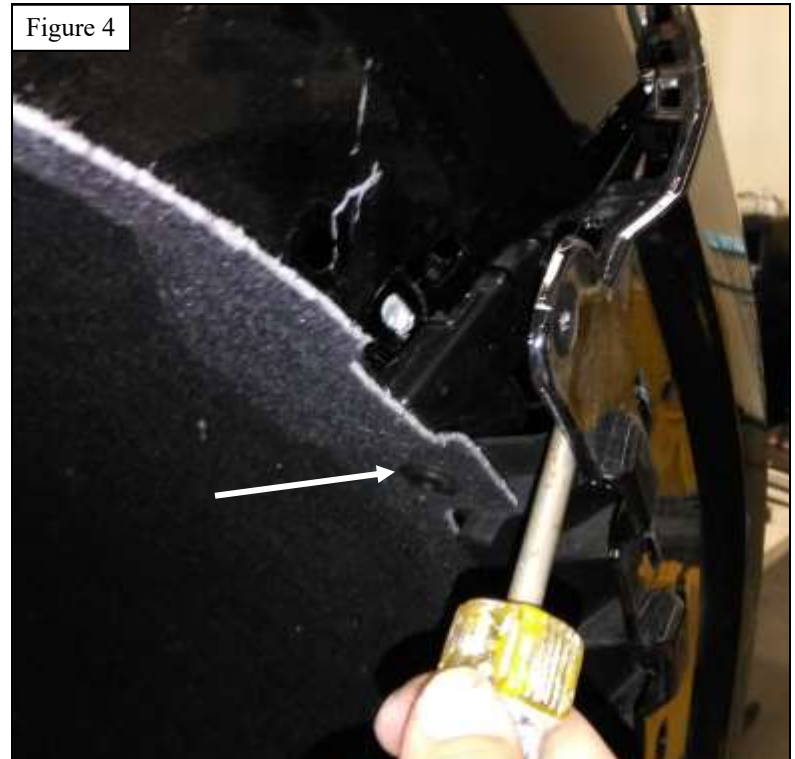


PROCEDURE

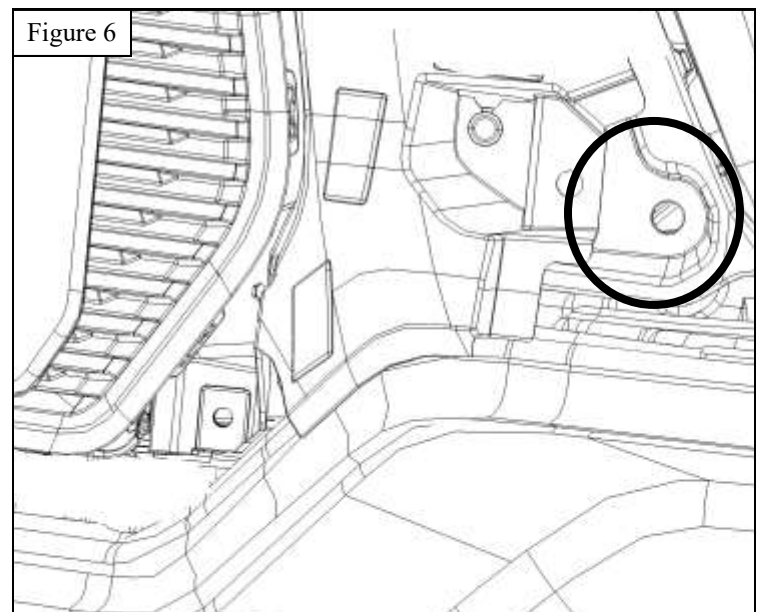
1. Remove contents from box, verify if all parts listed are present and free from damage.
Carefully read and understand all instructions before attempting installation.
Failure to identify damage before installation could lead to a rejection of any claim.
2. Start by removing the fender trim on both sides. See **Figure 1** for reference.
3. Remove the indicated bolt in **Figure 2** in order to remove the bumper trim.



4. Remove the two screws from the inner fender trim as shown in **Figures 3 & 4**.
5. Using a trim removal tool or large flat head screwdriver, carefully pry on the bumper trim to pop out the retainer clips holding it on. Work your way to the middle starting from either side.



6. Moving to the front fog light pods, remove the bolt behind each pod, you will have to pry part of the trim to access this bolt.
7. Remove the center bolt holding on the bumper trim (above the front license plate area). See **Figure 5** for reference.
8. Then using a flat head screwdriver, pop out the remaining retainer clips. Remove the bumper trim. See **Figures 6 through 8** for reference.



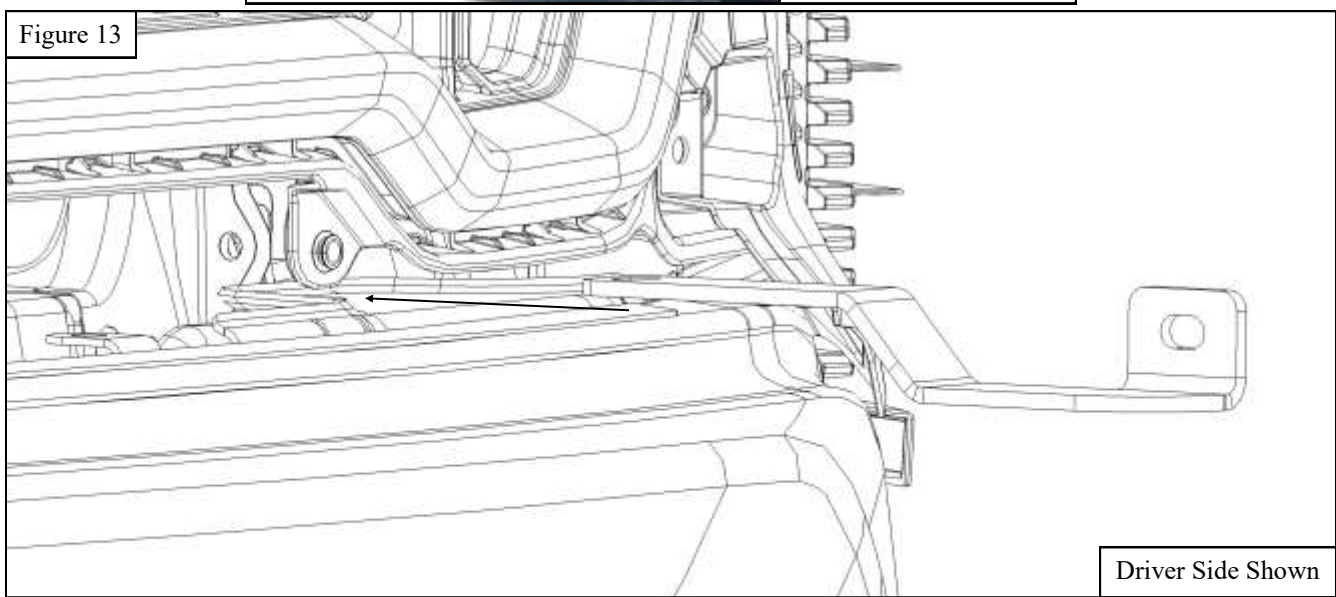
9. Remove the upper cover under the hood using a trim removal tool. There are multiple retainers that hold this piece on. See **Figure 8** for reference.



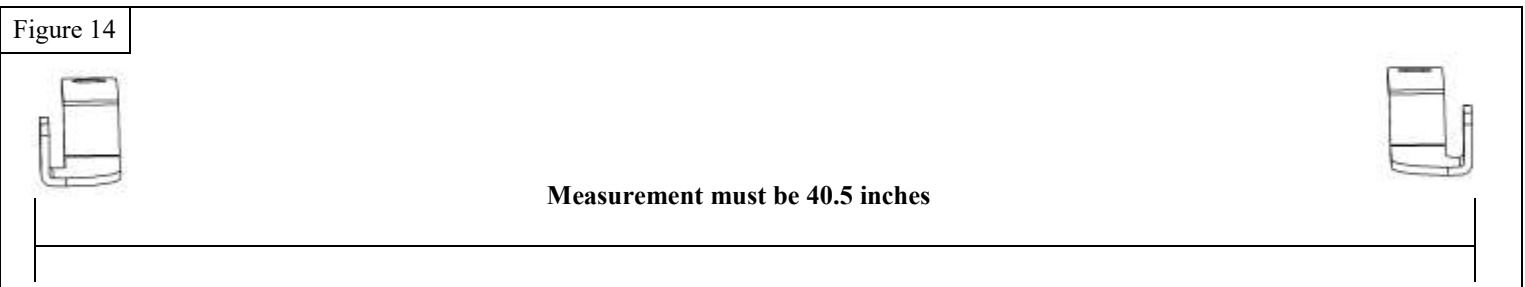
10. Remove bolts attaching grille to vehicle. See **Figure 9** for reference.
11. Pry the grille wings off of the vehicle. See **Figure 10** for reference.
12. Pry clip attaching the bottom of the grille to the vehicle. See **Figure 11** for reference.



13. Remove the passenger bumper bolt shown in **Figure 12**. Slide the upper support strap in between the grille and bumper, and loosely install the upper support strap using the factory bolt. Repeat on the driver side. See **Figures 12 & 13** for reference.

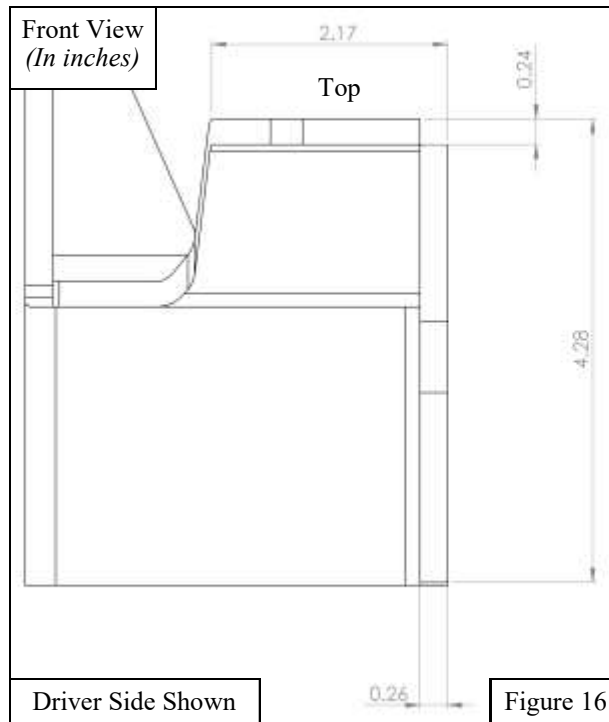
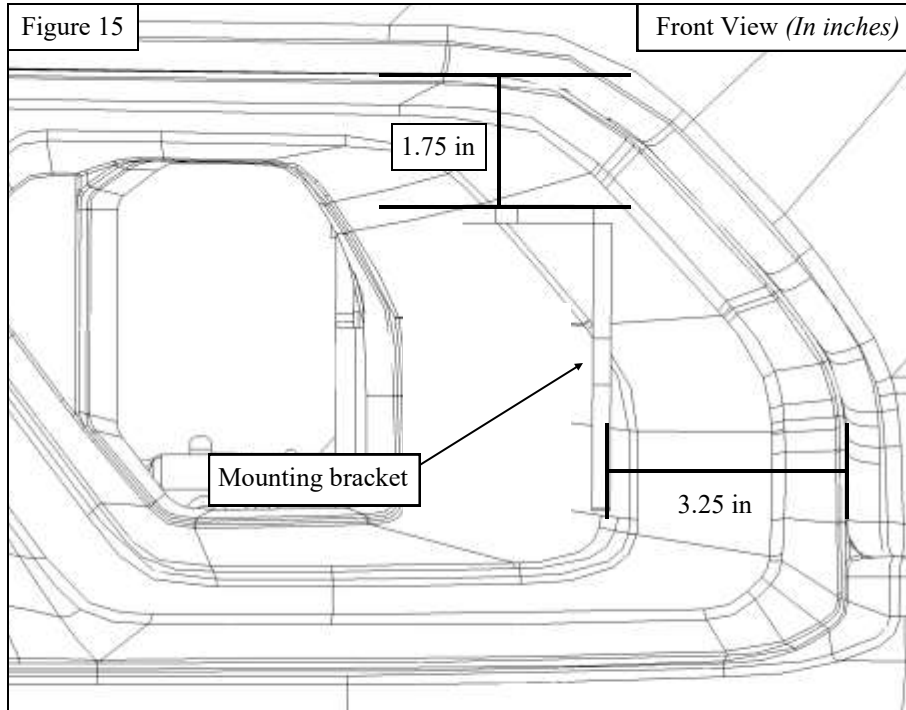


14. Measure from the outside face to the outer face of the other support bracket (where the brackets will meet the grille guard). Ensure that the measurement is 40.5 inches and tighten the factory bumper bolts. See **Figure 14** for reference.
15. Replace the bumper trim that was previously removed.

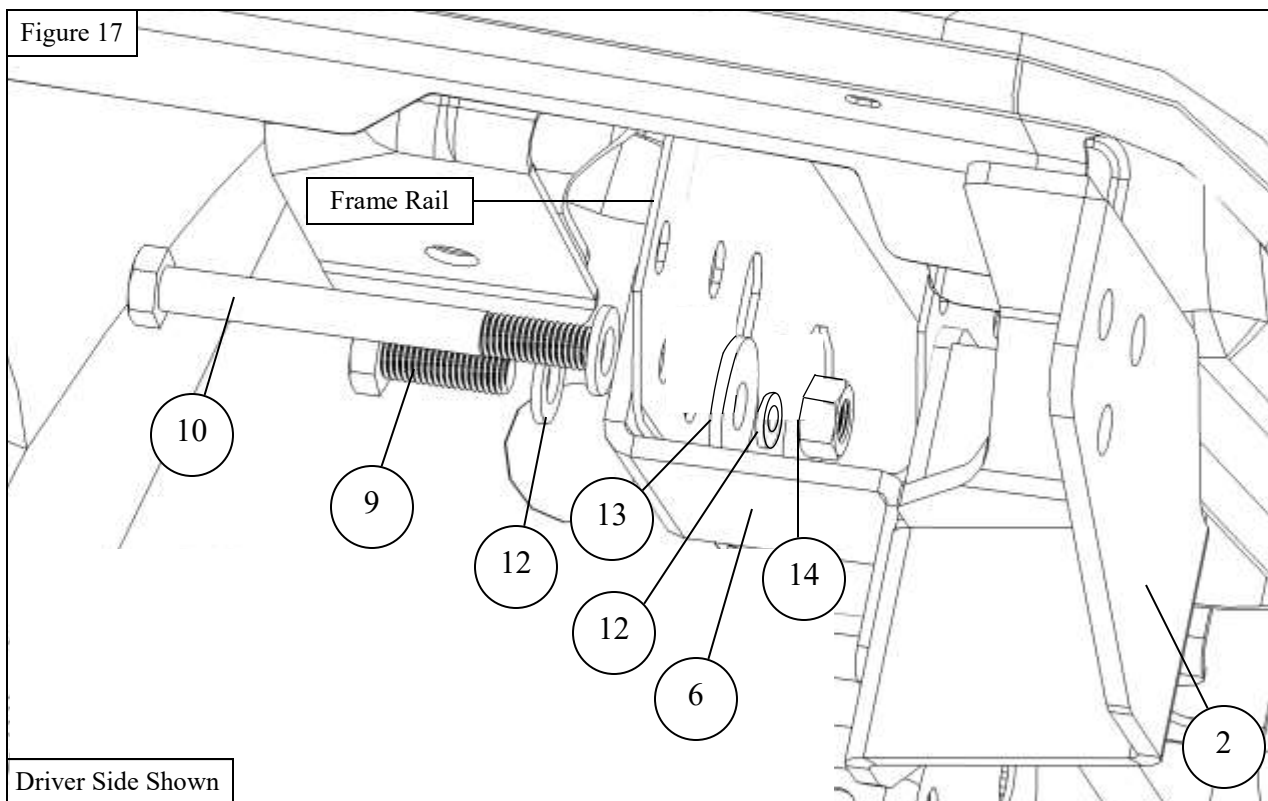


Note: Front valence trimming will be required!

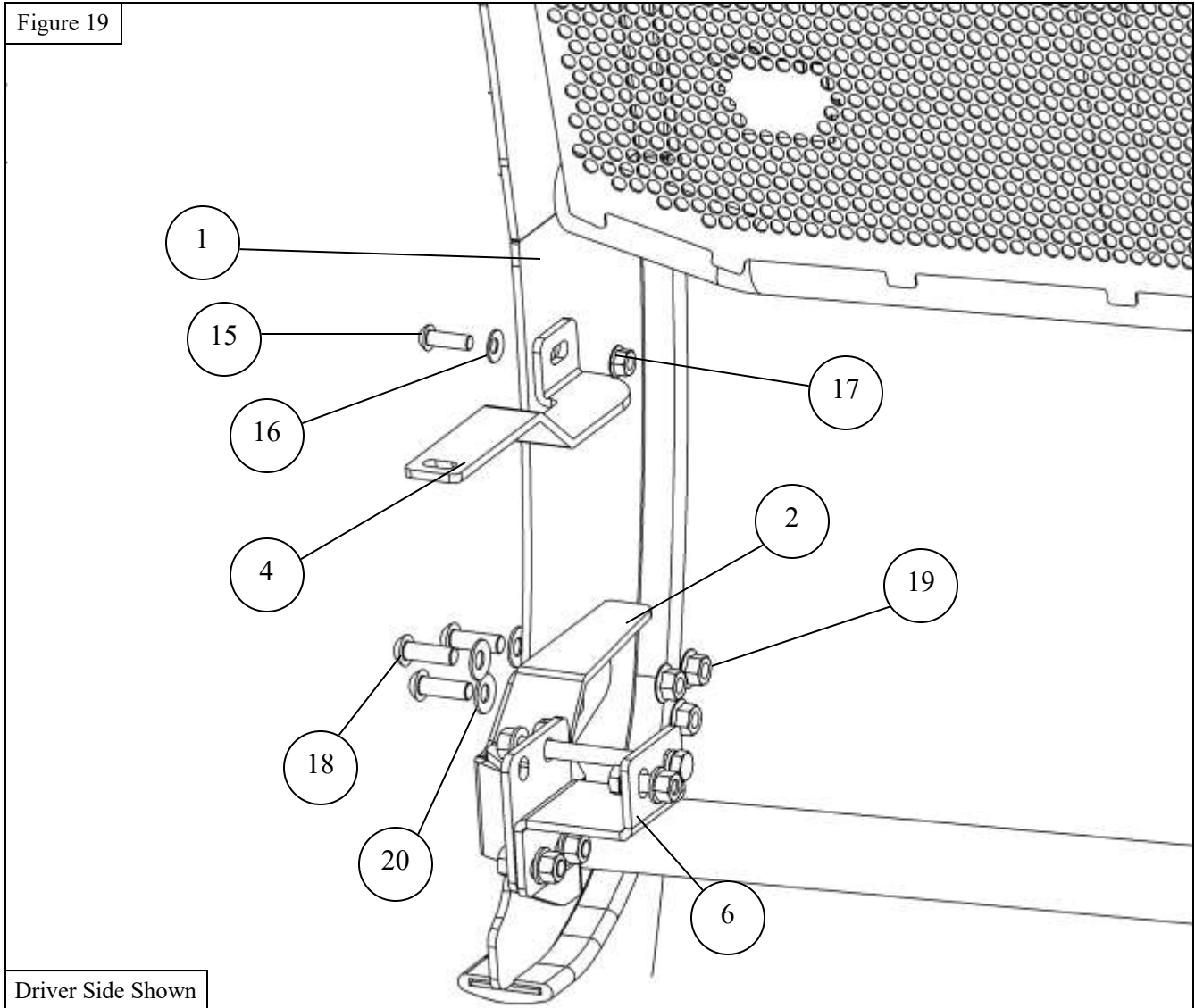
16. You will need to trim the valence around the light pod area. Using the diagrams below, cut out the area in order to create clearance for the lower mounting bracket. Cut out the shape of the bracket with a little extra room using the dimensions from **Figures 15 & 16** below.



17. Using supplied M12 hardware, loosely install the lower mounting and support bracket on to each side of the frame. See **Figures 17 & 18** for reference.

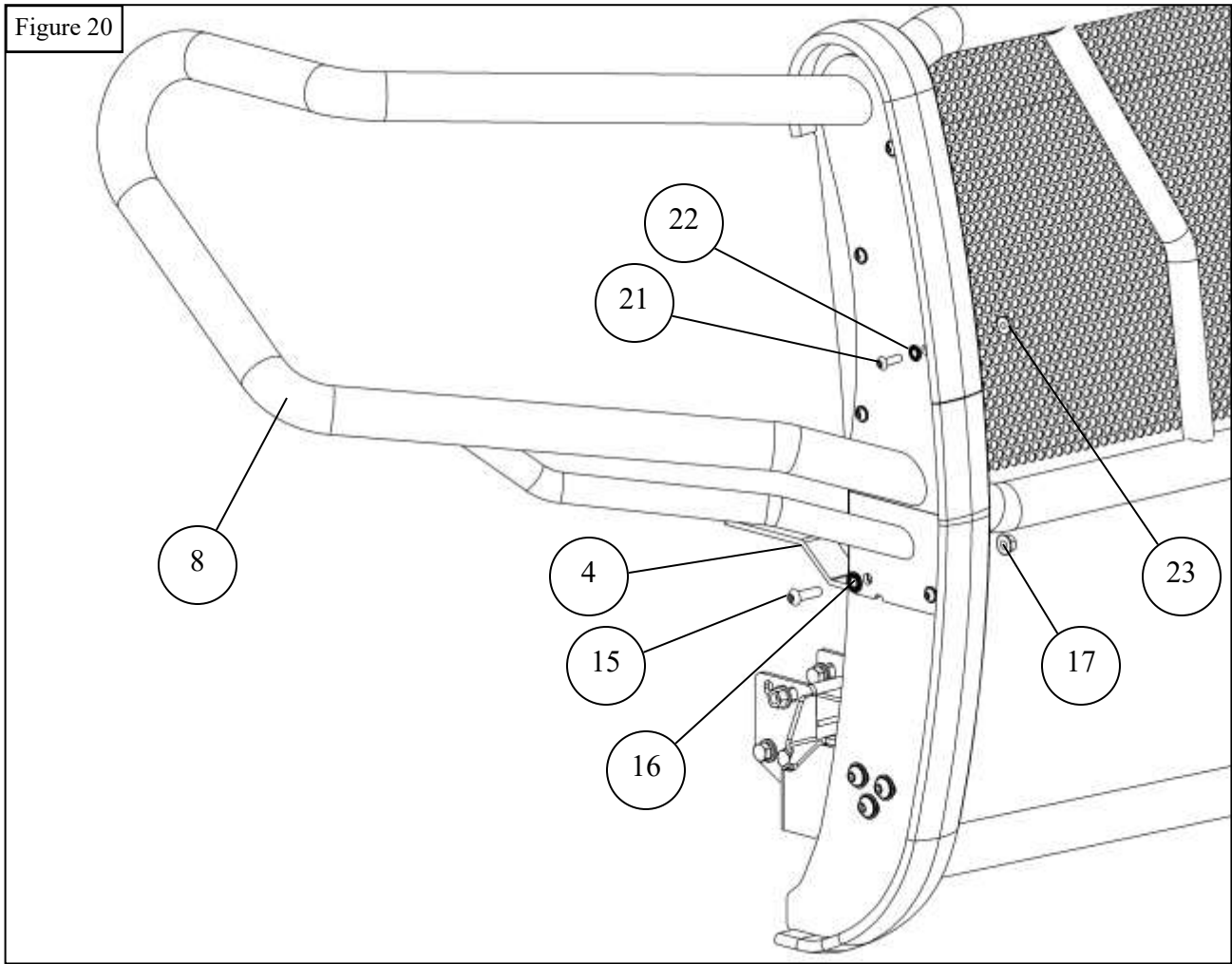


18. With help, loosely mount the Grille Guard Base to the previously installed mounting brackets using the supplied M10 and M12 hardware. See **Figure 19** for reference. **Note:** Loosely install the upper strap hardware just to hold the grille guard center. This hardware will be used to install the HDX Wings in the next step.



19. Using supplied M8 hardware and the M10 hardware used to mount the upper support strap , loosely assemble the HDX Driver and Passenger Wings to the Grille Guard Base. See **Figure 20** for reference.

Figure 20



20. Align and adjust the Grille Guard Base, HDX Wings, and mounting brackets as necessary. Tighten and then torque all hardware as specified: M8 to 15-18 ft. lbs., M10 to 35-40 ft-lbs., and M12 to 55-60 ft-lbs.

INSTALLATION COMPLETE



CARE INSTRUCTIONS

- REGULAR WAXING IS RECOMMENDED. DO NOT USE ANY TYPE OF POLISH OR WAX THAT MAY CONTAIN ABRASIVES.
- STAINLESS STEEL PRODUCTS CAN BE CLEANED WITH MILD SOAP AND WATER. STAINLESS STEEL POLISH SHOULD BE USED TO POLISH SMALL SCRATCHES.
- GLOSS BLACK FINISHES SHOULD BE CLEANED WITH MILD SOAP AND WATER.

WESTIN Westin Automotive Products, Inc.
320 W. Covina Blvd
San Dimas, Ca. 91773

Thank you for choosing Westin products
for additional installation assistance please call
Customer Service (800) 793-7846
www.westinautomotive.com
DATE: 07/18/2022



WARNING



Failure to follow these instructions could lead to death, personal injury, and / or property damage.

Failure to follow these instructions could lead to death, personal injury, and / or property damage.

FASTENERS:

All Westin supplied fasteners must be utilized and installed in accordance with the installation instructions and apply torque to the specifications as defined. **DOUBLE CHECK ALL FASTENERS BEFORE INITIAL USE, AND PERIODICALLY IN THE FUTURE TO ENSURE PROPER FUNCTION AND SAFETY.**

DRILLING:

Most Westin products do not require drilling for installation. If drilling is defined as required, use caution when drilling a vehicle. **FAILURE TO REVIEW AN AREA TO BE DRILLED MAY RESULT IN PERSONAL INJURY AND/OR INJURY TO OTHERS AS WELL AS VEHICLE DAMAGE.**

EYE PROTECTION:

ALWAYS WEAR SAFETY GLASSES OR GOGGLES DURING THE INSTALLATION PROCESS TO AVOID PERSONAL INJURY.

MAXIMUM TOWING/CARRYING CAPACITY: (if applicable)

The Westin Receiver Hitches will have a visible tow rating label affixed directly on the product. User should never exceed the vehicle manufacturers maximum tow and weight rating regardless of the capacity of the hitch. **FAILURE TO FOLLOW THESE GUIDELINES WILL VOID THE WESTIN WARRANTY AND MAY RESULT IN PERSONAL INJURY AND/OR INJURY TO OTHERS AS WELL AS VEHICLE DAMAGE.**

FOR CALIFORNIA RESIDENTS ONLY-PROP 65 WARNING:

Some products may contain chemicals such as DEHP, which can cause cancer, birth defects or other reproductive harm. For more info go to www.p65warnings.ca.gov



Westin Automotive Products, Inc.
320 W. Covina Blvd
San Dimas, Ca. 91773