



# INSTALLATION INSTRUCTIONS

## HDX MODULAR GRILLE GUARD

### APPLICATION:

2019-2023 Chevrolet Silverado 1500 & 1500 LTD 2022  
(Excl. 2019 LD) (Excl. w/Sensors)

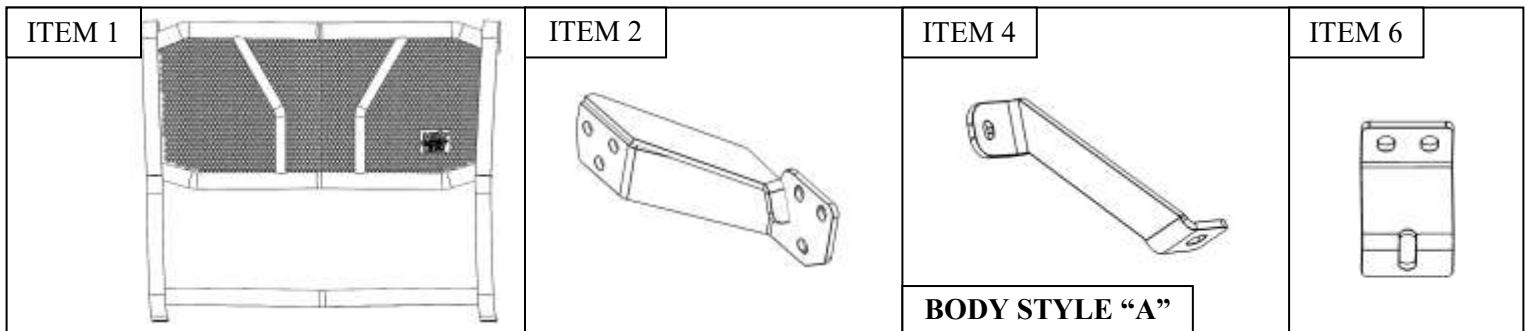
### PART NUMBER:

57-23955

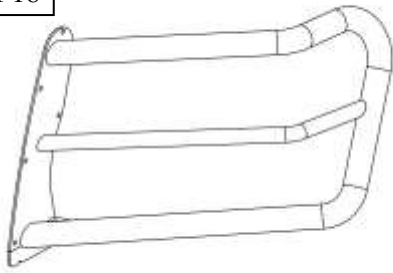
**Note:** Excludes 2022+ models with new front end (Non-LTD models) with fog lights. Excludes 2022+ models with new front end (Non-LTD models) with block heater.

CONTENT			
ITEM	QUANTITY	DESCRIPTION	TOOLS NEEDED
1	1	GRILLE GUARD CENTER	10MM SOCKET
2, 3	2	LOWER MOUNTING BRACKET	16MM SOCKET
4, 5	2	UPPER STRAP BRACKET, FOR BODY STYLE "A" DRIVER (4) AND PASSENGER (5)	16MM WRENCH
6	2	LOWER SUPPORT STRAP	18MM SOCKET
7	4	SHORT M12 HEX HEAD CAP SCREW	18MM WRENCH
8	2	LONG M12 HEX HEAD CAP SCREW	FLAT HEAD SCREWDRIVER
9	6	M12 SPLIT LOCK WASHER	
10	12	M12 FLAT WASHER	HAMMER
11	6	M12 HEX NUT	UTILITY KNIFE
12	2	M10 BUTTON HEAD BOLT	RATCHET
13	2	M10 BELLEVILLE WASHER	TORQUE WRENCH
14	2	M10 SERRATED FLANGE NUT	PRYBAR
15	6	M12 BUTTON HEAD BOLT	13MM SOCKET
16	6	M12 SERRATED FLANGE NUT	
17	6	M12 BELLEVILLE WASHER	
18	1	DRIVER WING	
19	1	PASSENGER WING	
20	10	M8 BUTTON HEAD BOLT	
21	10	M8 BELLVILLE WASHER	
22	10	M8 SERRATED FLANGE NUT	
23, 24	2	UPPER STRAP BRACKET FOR BODY STYLE "B" DRIVER (23) AND PASSENGER (24)	
25	1	FOAM TAPE	

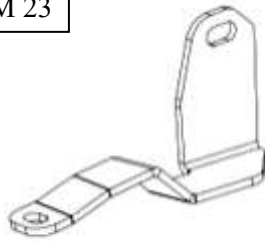
**ANTI-SEIZE LUBRICANT MUST BE USED ON ALL STAINLESS STEEL FASTENERS TO PREVENT THREAD DAMAGE AND GALLING**



ITEM 18



ITEM 23



BODY STYLE "B"

DRIVER SIDE ITEMS SHOWN;  
PASSENGER SIDE ITEMS OPPOSITE

BODY STYLE "A"



**PROCEDURE**

1. Remove contents from box, verify if all parts listed are present and free from damage.  
Carefully read and understand all instructions before attempting installation.  
**Failure to identify damage before installation could lead to a rejection of any claim.**

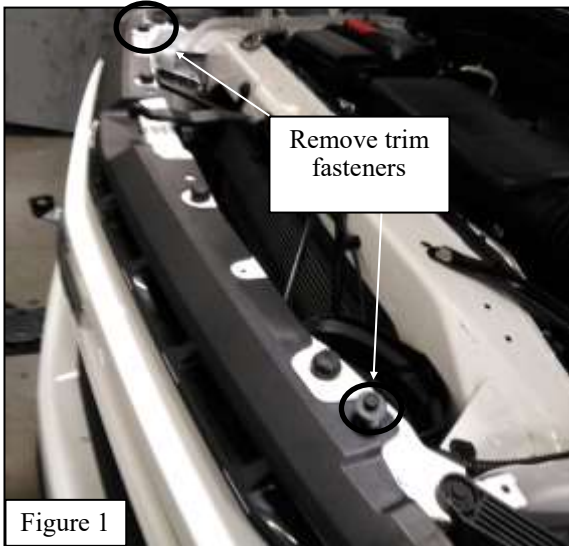


Westin Automotive Products, Inc.  
320 W. Covina Blvd  
San Dimas, Ca. 91773

Thank you for choosing Westin products  
for additional installation assistance please call  
Customer Service (800) 793-7846  
[www.westinautomotive.com](http://www.westinautomotive.com)

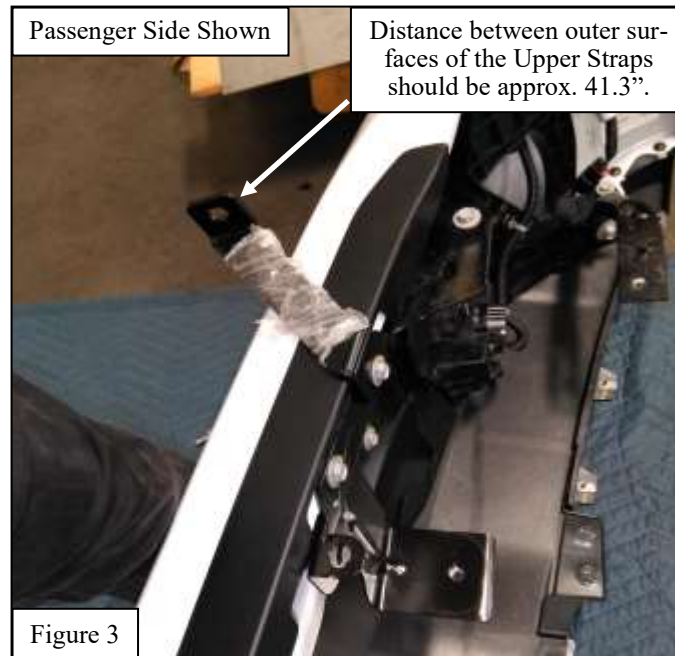
## Body Style "A" Instructions

2. Begin by removing the plastic clips holding the air intake splash shield in place, and remove the splash shield.
3. Remove the fasteners holding the grille in place. Also, detach the clips from the wings on the grille. See **Figures 1 & 2** for reference.
4. Remove the grille by pulling firmly and carefully at the bottom of the grille.



5. Use the OEM hardware to secure the Upper Strap Bracket (Items 4-5) to the bumper. **Note:** *Bumper shown off of the vehicle for viewing purposes.* See **Figure 3** for reference.
6. Reinstall the grille and the air intake splash shield.

**Skip to Step 20**



**WESTIN**

Westin Automotive Products, Inc.  
320 W. Covina Blvd  
San Dimas, Ca. 91773

## BODY STYLE "B"



### Body Style "B" Instructions

7. Remove the three fasteners retaining the panel above the bumper from the inside of the wheel wells. See **Figure 4** for reference.
8. Remove the trim panel from the clips near the headlights. Use a pry tool if necessary. See **Figure 5**.



9. On both sides of the vehicle, use a pry tool to remove the fascia panel from the clips shown. See **Figures 6 & 7** for reference.
10. Remove the fascia panel above the bumper. **Note:** The fascia panel contains plastic clips retaining it to the rest of the vehicle. Pull firmly and carefully on the fascia to remove it.



Figure 6



Figure 7

11. Remove the plastic clips holding the air intake splash shield in place, and remove the splash shield.
12. Remove the fasteners retaining the grille. There are 4 fasteners along the top and three along the bottom. See **Figures 8 & 9** for reference.
13. Remove the grille from the clips above the headlights. See **Figure 9** for reference.
14. Remove the grille by firmly and carefully pulling it away from the vehicle.
15. Trim and apply foam tape to the Upper Support Straps (Items 23-24). See **Figure 10** for reference.
16. Use the OEM hardware to install the Upper Support Straps to the bumper. See **Figures 11 & 12** for reference.
17. Adjust the support straps and torque the OEM hardware to 32 ft-lbs.

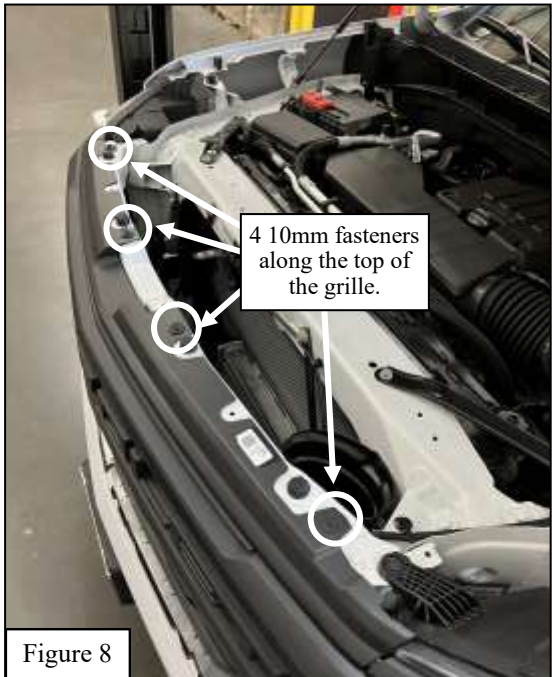


Figure 8

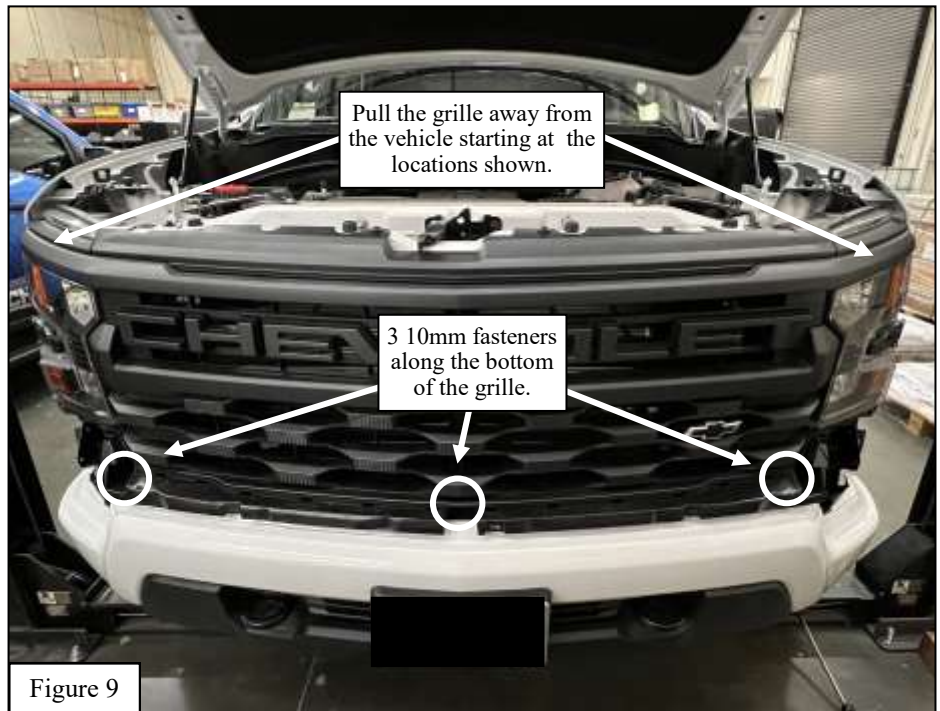
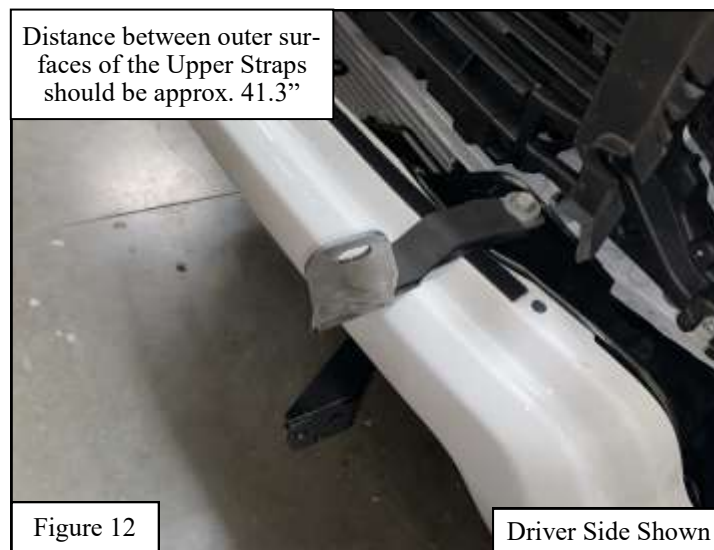
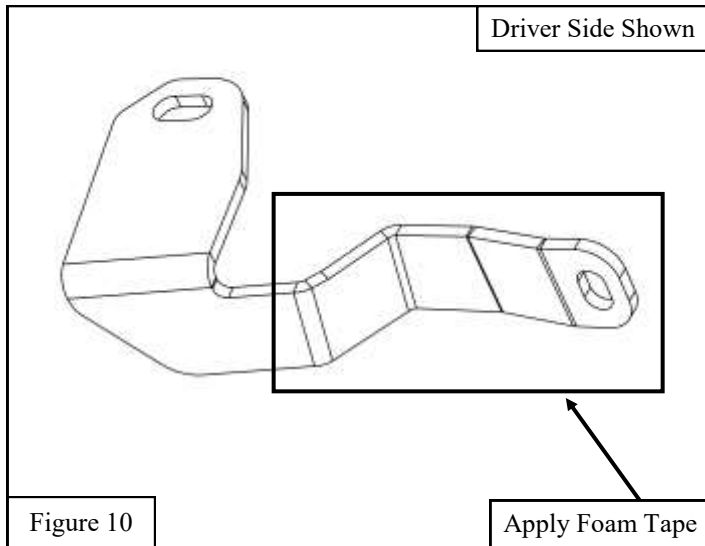


Figure 9

**WESTIN**

Westin Automotive Products, Inc.  
320 W. Covina Blvd  
San Dimas, Ca. 91773



18. Reinstall the grille.
19. Reinstall the fascia panel above the bumper.

### Body Style "A" Trimming Instructions

20. Carefully trim the factory tow hook pocket area to fit the Lower Mounting Brackets (Items 2-3). See **Figure 13** for reference.

**Proceed to Step 22.**

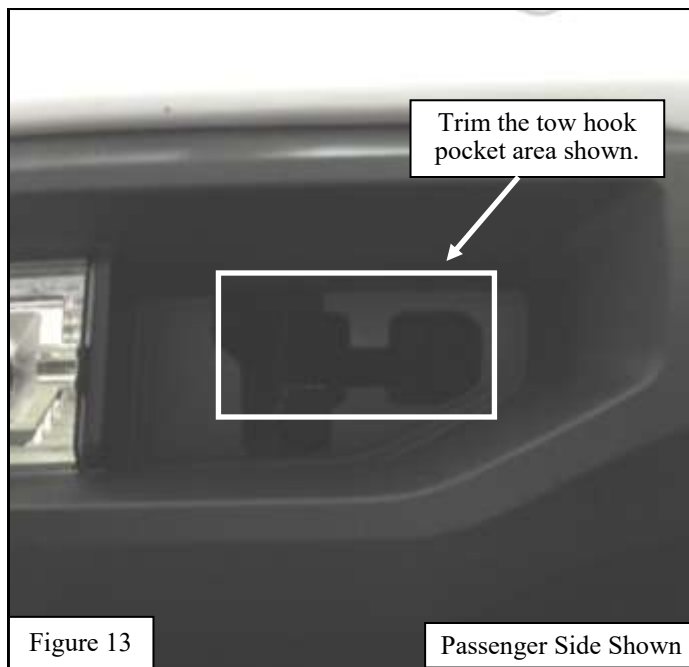


Figure 13

Passenger Side Shown

### Body Style “B” Trimming Instructions

21. Carefully trim the factory tow hook pocket and lower valence area to fit the Lower Mounting Bracket (Items 2-3). See **Figures 14 through 16** for reference.

**Notes:**

- *Make sure you remove the rubber tow hook covers prior to trimming.*
- *Some vehicle trims do not have the chrome lower valence, but trimming of the plastic valence is still required.*
- *It is recommended to use blue masking tape to protect the area around the tow hook pocket from scratches or damage.*
- *It is recommended to incrementally trim, and test fit the brackets as you trim, to avoid over trimming the tow hook pocket and lower valence area.*

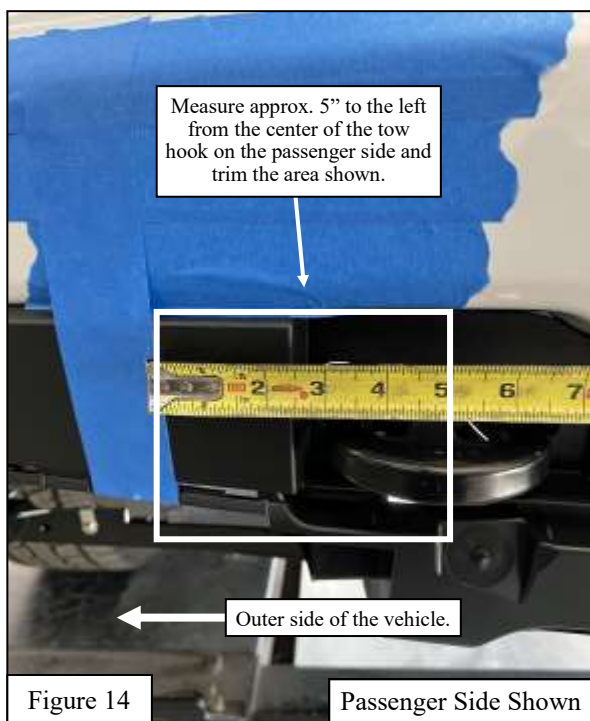


Figure 14

Passenger Side Shown

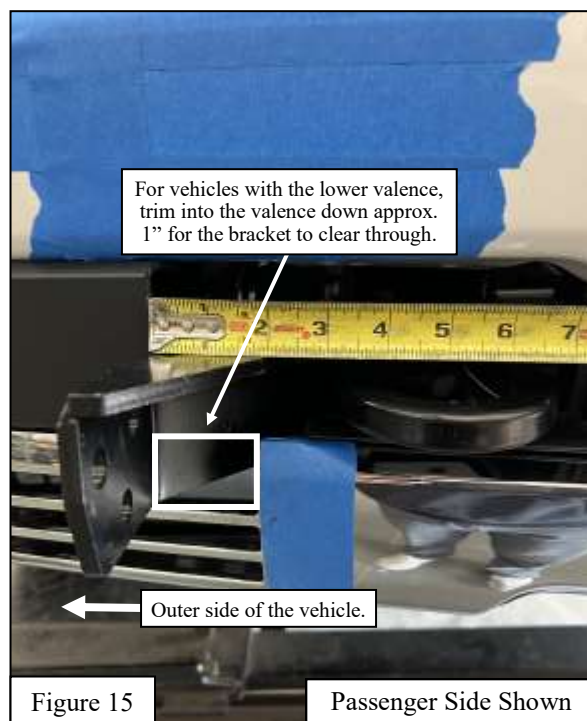


Figure 15

Passenger Side Shown

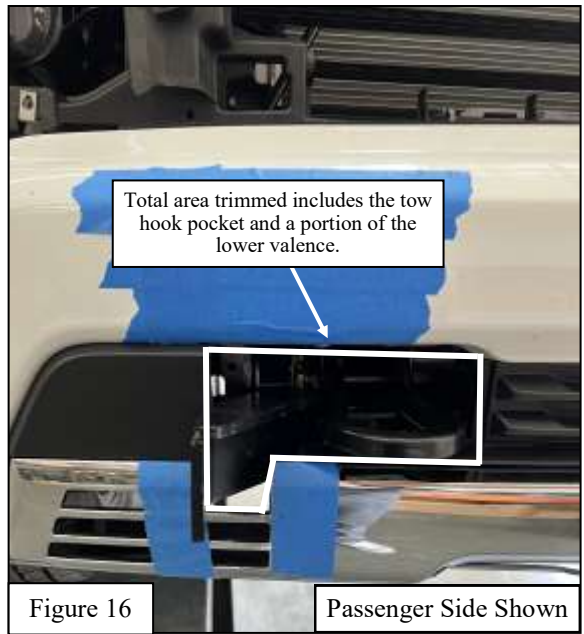


Figure 16 Passenger Side Shown

22. Install the Lower Mounting Brackets (Items 2-3) and Lower Support Straps (Item 6) to the frame using the supplied M12 Hardware. See **Figures 17 through 19** for reference. **Note:** *The vehicle frame rails are not opposite of one another.*

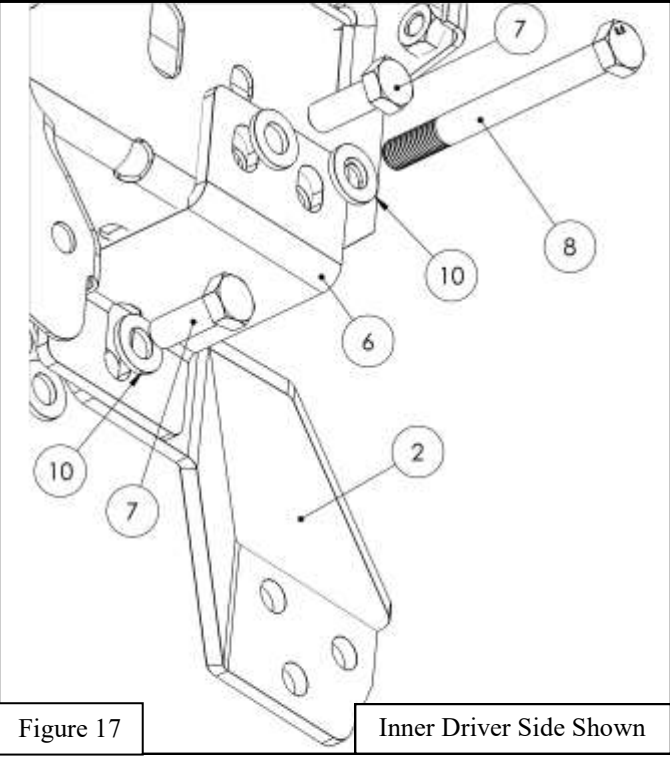


Figure 17 Inner Driver Side Shown

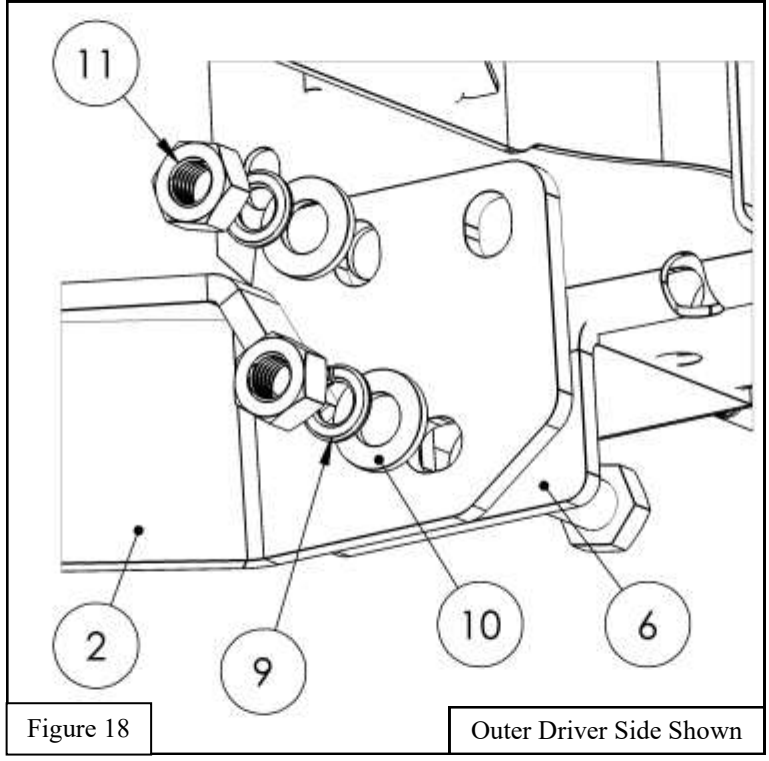


Figure 18 Outer Driver Side Shown



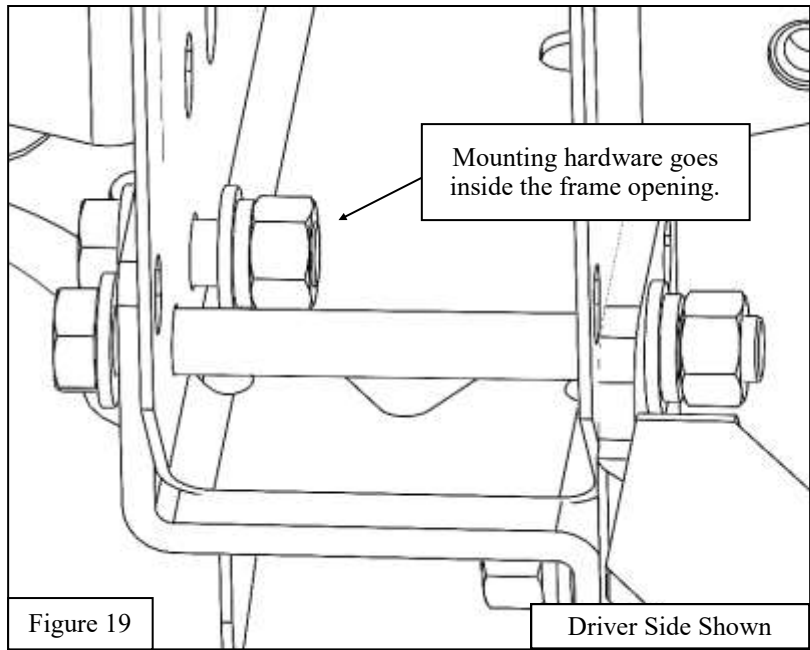


Figure 19

Driver Side Shown

23. Use the supplied M10 (Items 12-14) and M12 Hardware (Items 15-17) to secure the grille guard center to the previously installed mounting brackets. See **Figures 20 through 22** for reference.
24. Use the supplied M8 hardware (Items 20-22) to secure the HDX Driver and Passenger Wings to the grille guard base. See **Figure 22** for reference. **Note:** *The mounting hole shared with the upper support strap uses M10 hardware.*
25. Adjust the grille guard base, HDX wings, and mounting brackets to the desired positioning. Tighten and torque all hardware as specified: M8 to 18 ft-lbs., M10 to 32 ft-lbs., and M12 to 55 ft-lbs.

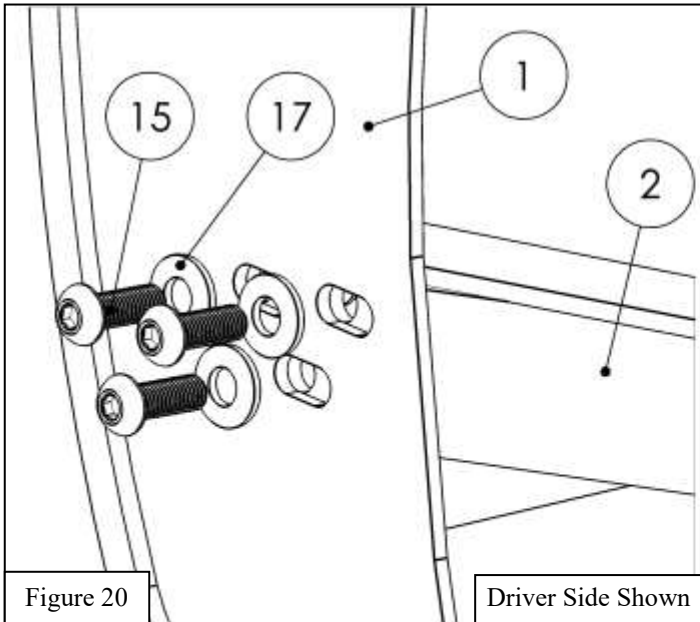


Figure 20

Driver Side Shown

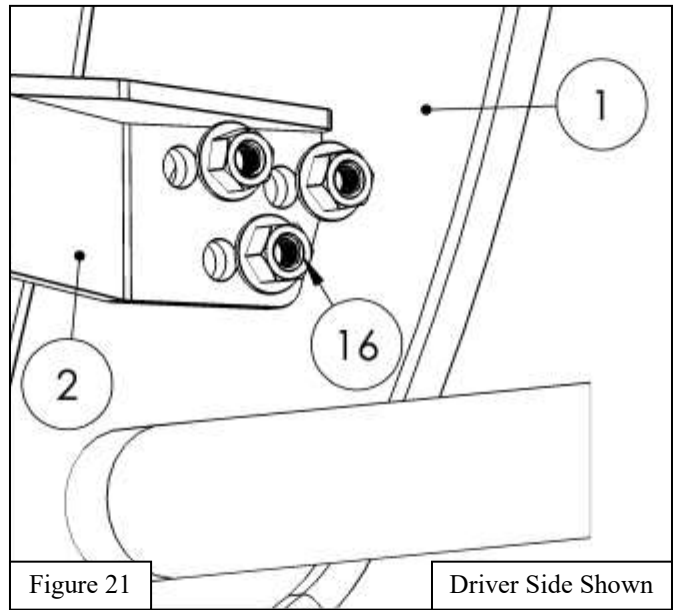


Figure 21

Driver Side Shown

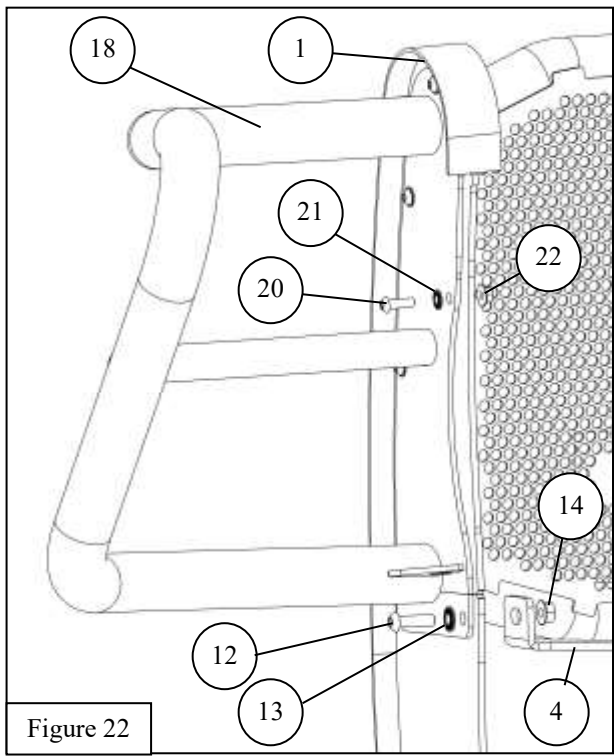


Figure 22

## INSTALLATION COMPLETE



### CARE INSTRUCTIONS

- REGULAR WAXING IS RECOMMENDED. DO NOT USE ANY TYPE OF POLISH OR WAX THAT MAY CONTAIN ABRASIVES.
- STAINLESS STEEL PRODUCTS CAN BE CLEANED WITH MILD SOAP AND WATER. STAINLESS STEEL POLISH SHOULD BE USED TO POLISH SMALL SCRATCHES.
- GLOSS BLACK FINISHES SHOULD BE CLEANED WITH MILD SOAP AND WATER.

**WESTIN**

Westin Automotive Products, Inc.  
320 W. Covina Blvd  
San Dimas, Ca. 91773

Thank you for choosing Westin products  
for additional installation assistance please call  
Customer Service (800) 793-7846  
[www.westinautomotive.com](http://www.westinautomotive.com)



## WARNING



Failure to follow these instructions could lead to death, personal injury, and / or property damage.

Failure to follow these instructions could lead to death, personal injury, and / or property damage.

### FASTENERS:

All Westin supplied fasteners must be utilized and installed in accordance with the installation instructions and apply torque to the specifications as defined. **DOUBLE CHECK ALL FASTENERS BEFORE INITIAL USE, AND PERIODICALLY IN THE FUTURE TO ENSURE PROPER FUNCTION AND SAFETY.**

### DRILLING:

Most Westin products do not require drilling for installation. If drilling is defined as required, use caution when drilling a vehicle. **FAILURE TO REVIEW AN AREA TO BE DRILLED MAY RESULT IN PERSONAL INJURY AND/OR INJURY TO OTHERS AS WELL AS VEHICLE DAMAGE.**

### EYE PROTECTION:

**ALWAYS WEAR SAFETY GLASSES OR GOGGLES DURING THE INSTALLATION PROCESS TO AVOID PERSONAL INJURY.**

### MAXIMUM TOWING/CARRYING CAPACITY: (if applicable)

The Westin Receiver Hitches will have a visible tow rating label affixed directly on the product. User should never exceed the vehicle manufacturers maximum tow and weight rating regardless of the capacity of the hitch. **FAILURE TO FOLLOW THESE GUIDELINES WILL VOID THE WESTIN WARRANTY AND MAY RESULT IN PERSONAL INJURY AND/OR INJURY TO OTHERS AS WELL AS VEHICLE DAMAGE.**

### FOR CALIFORNIA RESIDENTS ONLY-PROP 65 WARNING:

Some products may contain chemicals such as DEHP, which can cause cancer, birth defects or other reproductive harm. For more info go to [www.p65warnings.ca.gov](http://www.p65warnings.ca.gov)



Westin Automotive Products, Inc.  
320 W. Covina Blvd  
San Dimas, Ca. 91773