

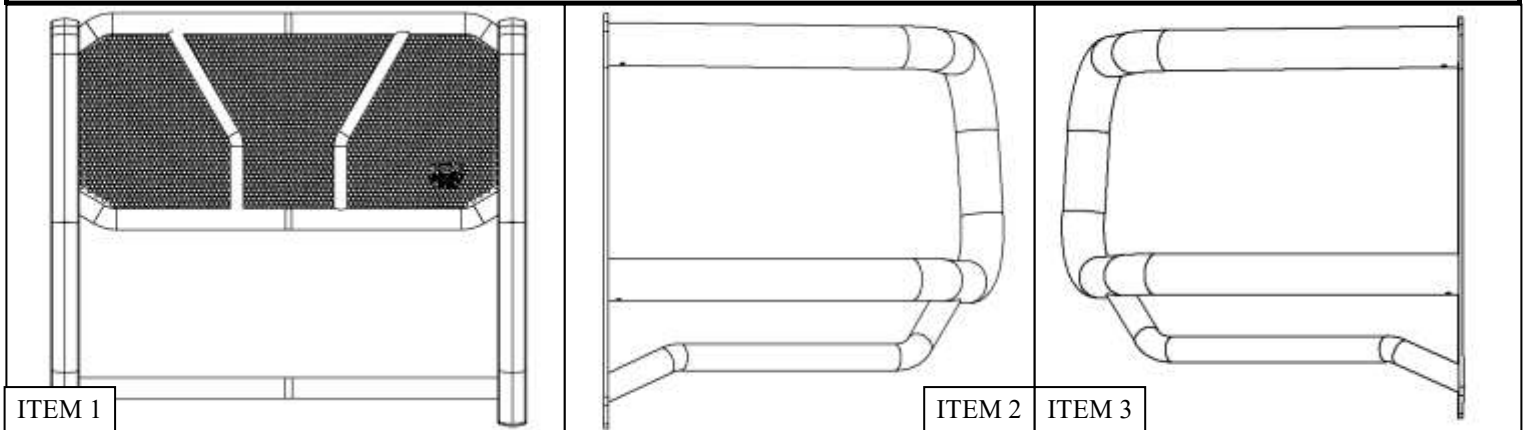
# INSTALLATION INSTRUCTIONS

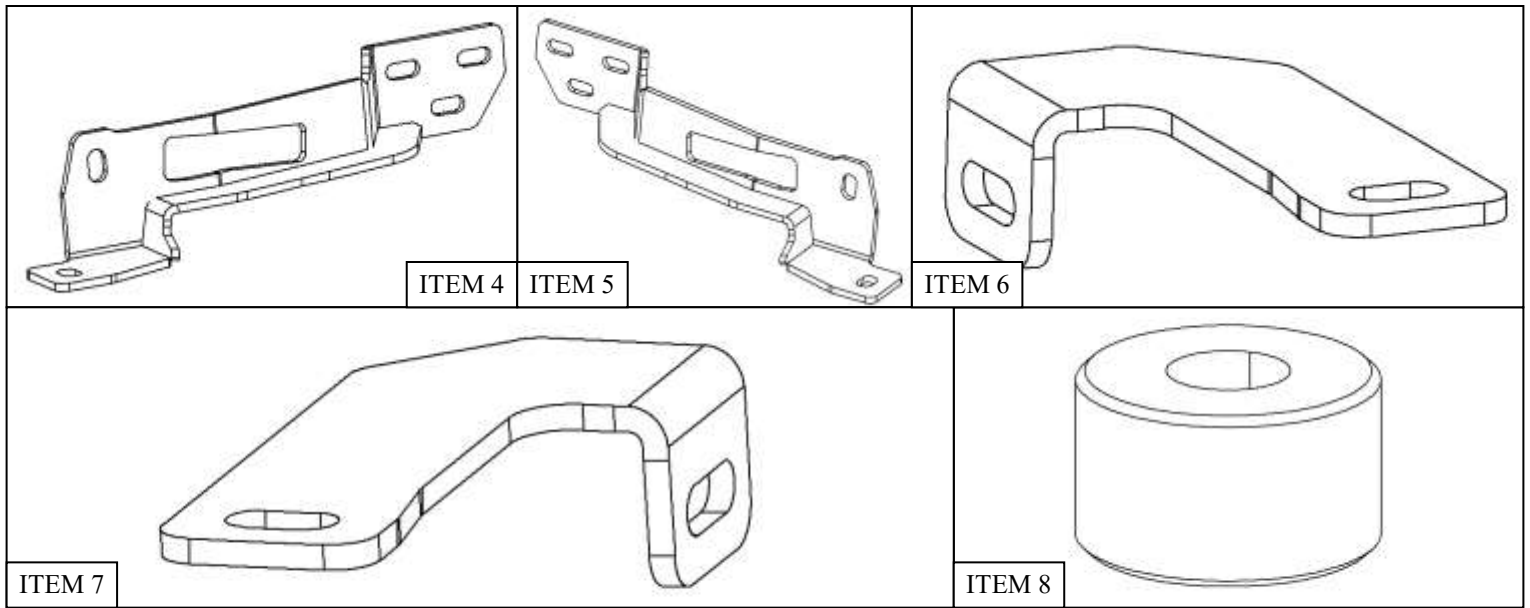


**HDX MODULAR GRILLE GUARD**  
**APPLICATION:**  
 2015-2019 GMC Sierra 2500/3500HD  
**PART NUMBER:**  
 57-23790, 57-23795

CONTENT			
ITEM	QUANTITY	DESCRIPTION	TOOLS NEEDED
1	1	GRILLE GUARD BASE	RATCHET
2	1	GRILLE GUARD DRIVER WING	SCREWDRIVER
3	1	GRILLE GUARD PASSENGER WING	ALLEN WRENCH
4	1	LOWER MOUNTING DRIVER BRACKET	RATCHET EXT.
5	1	LOWER MOUNTING PASSENGER BRACKET	TORQUE WRENCH
6	1	UPPER SUPPORT DRIVER STRAP	10MM SOCKET
7	1	UPPER SUPPORT PASSENGER STRAP	13MM WRENCH
8	2	SPACER	13MM SOCKET
9	4	M12 HEX HEAD FLANGE BOLT	15MM WRENCH
10	4	M12 SERRATED FLANGE NUT	15MM SOCKET
11	2	M12 HEX HEAD CAP BOLT	16MM WRENCH
12	2	M12 SPLIT LOCK WASHER	16MM SOCKET
13	2	M12 FLAT WASHER	18MM WRENCH
14	8	M10 HEX SOCKET BUTTON HEAD BOLT ( <i>BLACK ZINC or RAW</i> )	18MM SOCKET
15	8	M10 BELLVILLE WASHER ( <i>BLACK ZINC or RAW</i> )	
16	8	M10 SERRATED FLANGE HEX NUT ( <i>BLACK ZINC or RAW</i> )	
17	8	M8 BELLVILLE WASHER ( <i>BLACK ZINC or RAW</i> )	
18	8	M8 SERRATED FLANGE HEX NUT ( <i>BLACK ZINC or RAW</i> )	
19	8	M8 HEX BUTTON HEAD BOLT ( <i>BLACK ZINC or RAW</i> )	

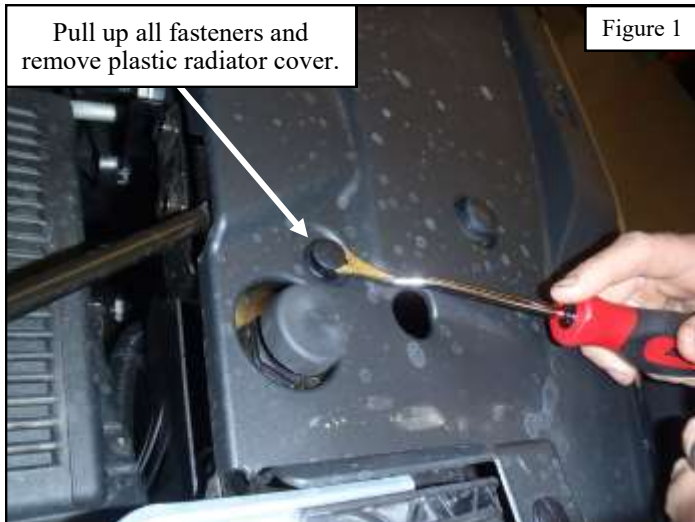
**ANTI-SEIZE LUBRICANT MUST BE USED ON ALL STAINLESS STEEL FASTENERS TO PREVENT THREAD DAMAGE AND GALLING**





### PROCEDURE

1. Remove contents from box, verify if all parts listed are present and free from damage. Carefully read and understand all instructions before attempting installation.  
**Failure to identify damage before installation could lead to a rejection of any claim.**
2. Remove the vehicle's plastic radiator cover as shown in **Figure 1**.
3. Remove the grille from the vehicle as shown in **Figure 2**.
4. Remove the six bolts securing the vehicle's bumper to the frame mounts. See **Figures 3 & 4** for reference.
5. With assistance carefully pull the vehicle's front bumper off of the frame mounts. **Note:** Be sure to disconnect any wiring for fog lights or parking sensors which may be present on some vehicles.



Pull up all fasteners and remove plastic radiator cover.

Figure 1

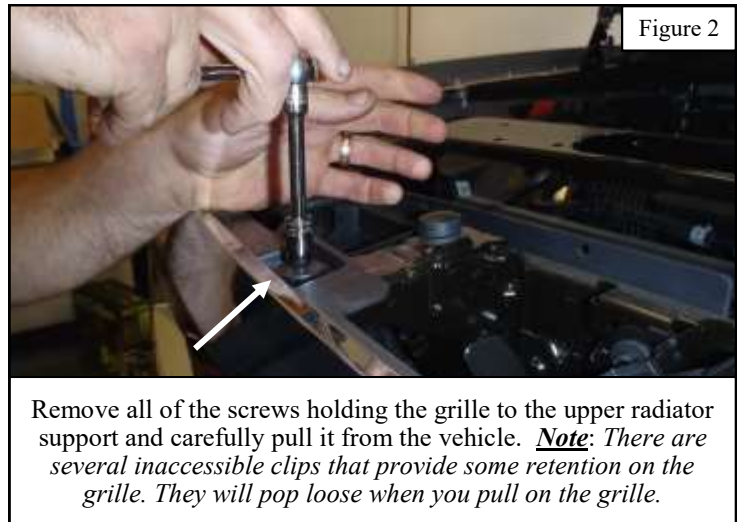
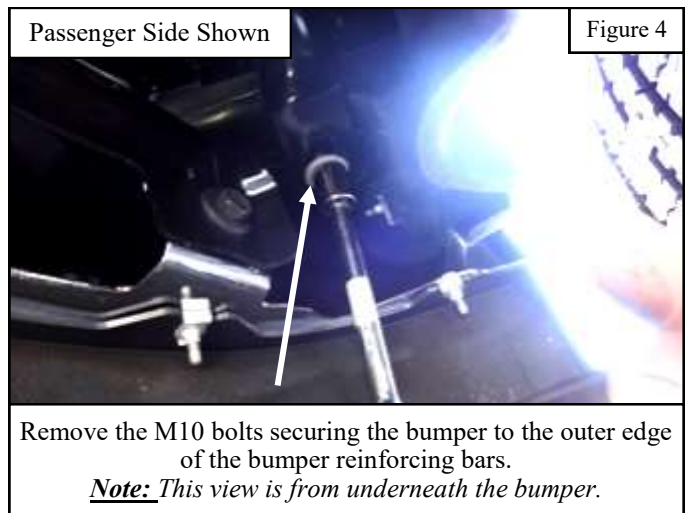
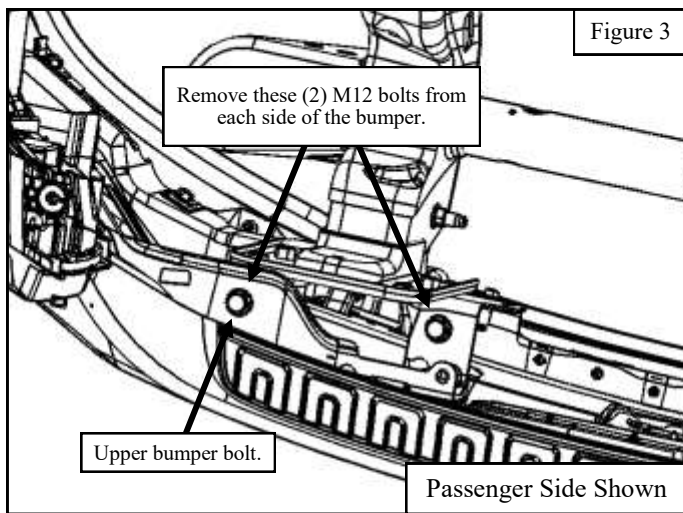
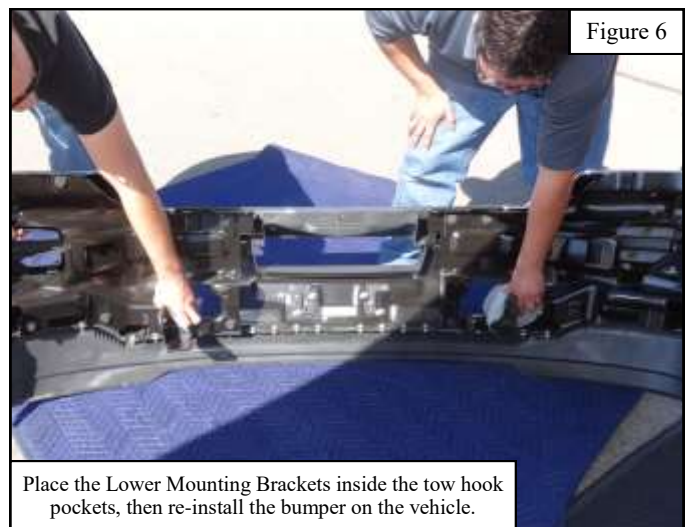
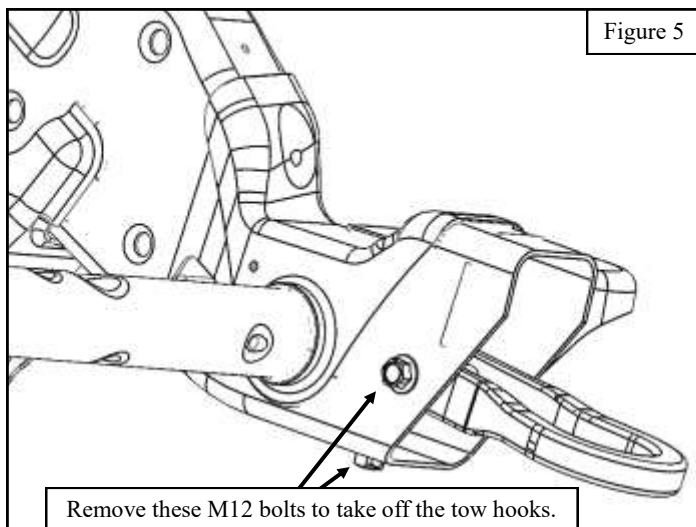


Figure 2

Remove all of the screws holding the grille to the upper radiator support and carefully pull it from the vehicle. **Note:** There are several inaccessible clips that provide some retention on the grille. They will pop loose when you pull on the grille.

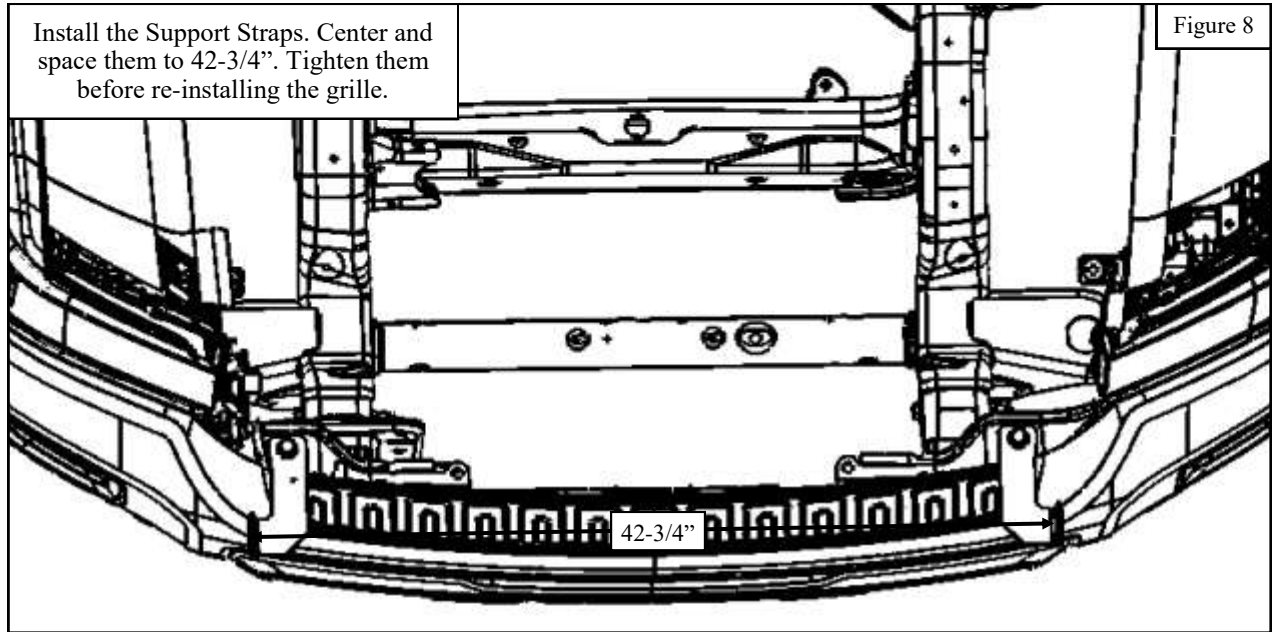
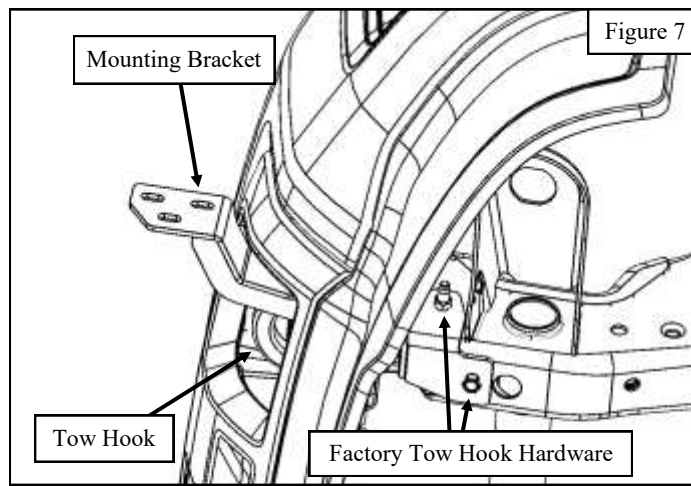


6. Remove the vehicle's tow hooks as shown in **Figure 5**.
7. With the front bumper still removed from the vehicle, loosely place the Lower Mounting Brackets (Items 4-5) inside the two hook pockets of the bumper as shown in **Figure 6**. Re-install the front bumper on the vehicle in the reverse order that it was removed. **Note:** Leave the top bumper bolts loose. They will be removed to attach the Support Straps.

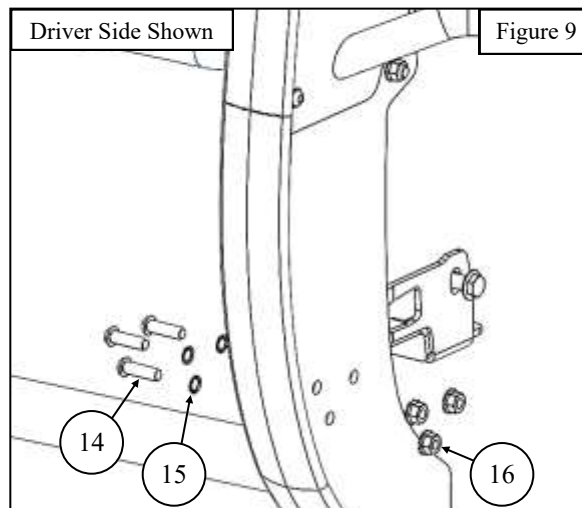


8. Loosely re-install the factory tow hooks by pushing the factory hardware through the Lower Mounting Brackets. See **Figure 7** for reference. **Note:** If the factory tow hooks are not available, or not desired, then the Lower Mounting Brackets may be installed using the supplied M12 Flange Bolts and M12 Flange Nuts (Items 9-10).
9. Remove the upper factory bumper bolts. They will not be re-used.
10. Install the Support Straps (Items 6-7) using the supplied Spacers, M12 Hex Bolts, M12 Flat Washers, and M12 Lock Washers (Items 8, 11-13).
11. Center the Support Straps and adjust them to 42-3/4" from outer flange to outer flange. Tighten and torque the straps to 50-55 ft-lbs. See **Figure 8** for reference.

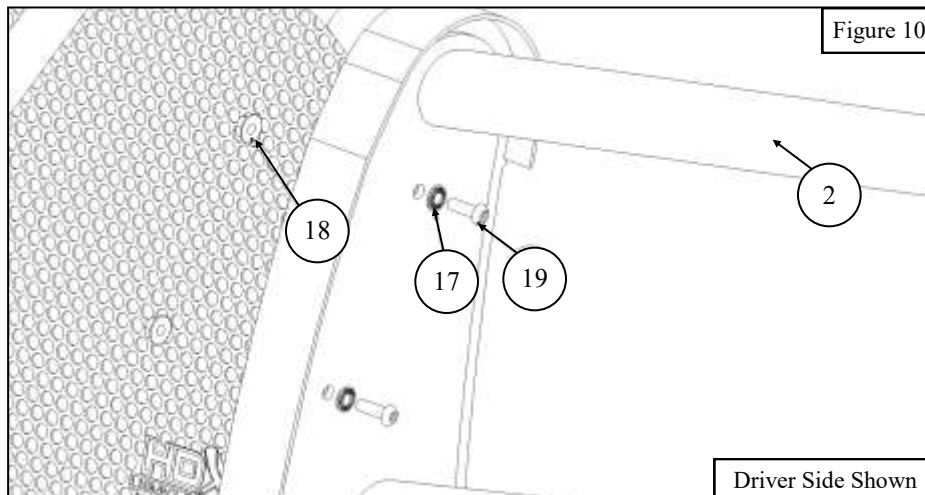




12. Reinstall the vehicle's grille and radiator cover in the reverse order that they were previously removed.
13. With assistance line up the Grille Guard Base (Item 1) with the mounting bracket holes and loosely mount it with the supplied M10 Hardware (Items 14-16). See **Figure 9** for reference.



14. Locate and install the Driver and Passenger Wings (Items 2-3) using the provided M8 hardware (Items 17-19). See **Figure 10** for reference.
15. Align and adjust the Grille Guard Assembly as needed. Tighten and torque all M8 hardware to 15-18 ft-lbs., M10 hardware to 30-35 ft-lbs., M12 hardware to 50-55 ft-lbs.



**INSTALLATION COMPLETE**



#### CARE INSTRUCTIONS

- REGULAR WAXING IS RECOMMENDED. DO NOT USE ANY TYPE OF POLISH OR WAX THAT MAY CONTAIN ABRASIVES.
- STAINLESS STEEL PRODUCTS CAN BE CLEANED WITH MILD SOAP AND WATER. STAINLESS STEEL POLISH SHOULD BE USED TO POLISH SMALL SCRATCHES.
- GLOSS BLACK FINISHES SHOULD BE CLEANED WITH MILD SOAP AND WATER.

**WESTIN** Westin Automotive Products, Inc.  
320 W. Covina Blvd  
San Dimas, Ca. 91773

Thank you for choosing Westin products  
for additional installation assistance please call  
Customer Service (800) 793-7846  
[www.westinautomotive.com](http://www.westinautomotive.com)  
DATE: 08/18/22



## WARNING



Failure to follow these instructions could lead to death, personal injury, and / or property damage.

Failure to follow these instructions could lead to death, personal injury, and / or property damage.

### FASTENERS:

All Westin supplied fasteners must be utilized and installed in accordance with the installation instructions and apply torque to the specifications as defined. **DOUBLE CHECK ALL FASTENERS BEFORE INITIAL USE, AND PERIODICALLY IN THE FUTURE TO ENSURE PROPER FUNCTION AND SAFETY.**

### DRILLING:

Most Westin products do not require drilling for installation. If drilling is defined as required, use caution when drilling a vehicle. **FAILURE TO REVIEW AN AREA TO BE DRILLED MAY RESULT IN PERSONAL INJURY AND/OR INJURY TO OTHERS AS WELL AS VEHICLE DAMAGE.**

### EYE PROTECTION:

**ALWAYS WEAR SAFETY GLASSES OR GOGGLES DURING THE INSTALLATION PROCESS TO AVOID PERSONAL INJURY.**

### MAXIMUM TOWING/CARRYING CAPACITY: (if applicable)

The Westin Receiver Hitches will have a visible tow rating label affixed directly on the product. User should never exceed the vehicle manufacturers maximum tow and weight rating regardless of the capacity of the hitch. **FAILURE TO FOLLOW THESE GUIDELINES WILL VOID THE WESTIN WARRANTY AND MAY RESULT IN PERSONAL INJURY AND/OR INJURY TO OTHERS AS WELL AS VEHICLE DAMAGE.**

### FOR CALIFORNIA RESIDENTS ONLY-PROP 65 WARNING:

Some products may contain chemicals such as DEHP, which can cause cancer, birth defects or other reproductive harm. For more info go to [www.p65warnings.ca.gov](http://www.p65warnings.ca.gov)



Westin Automotive Products, Inc.  
320 W. Covina Blvd  
San Dimas, Ca. 91773