

INSTALLATION INSTRUCTIONS

HDX MODULAR GRILLE GUARD

APPLICATION:

2015-2019 Chevrolet Silverado 2500/3500HD

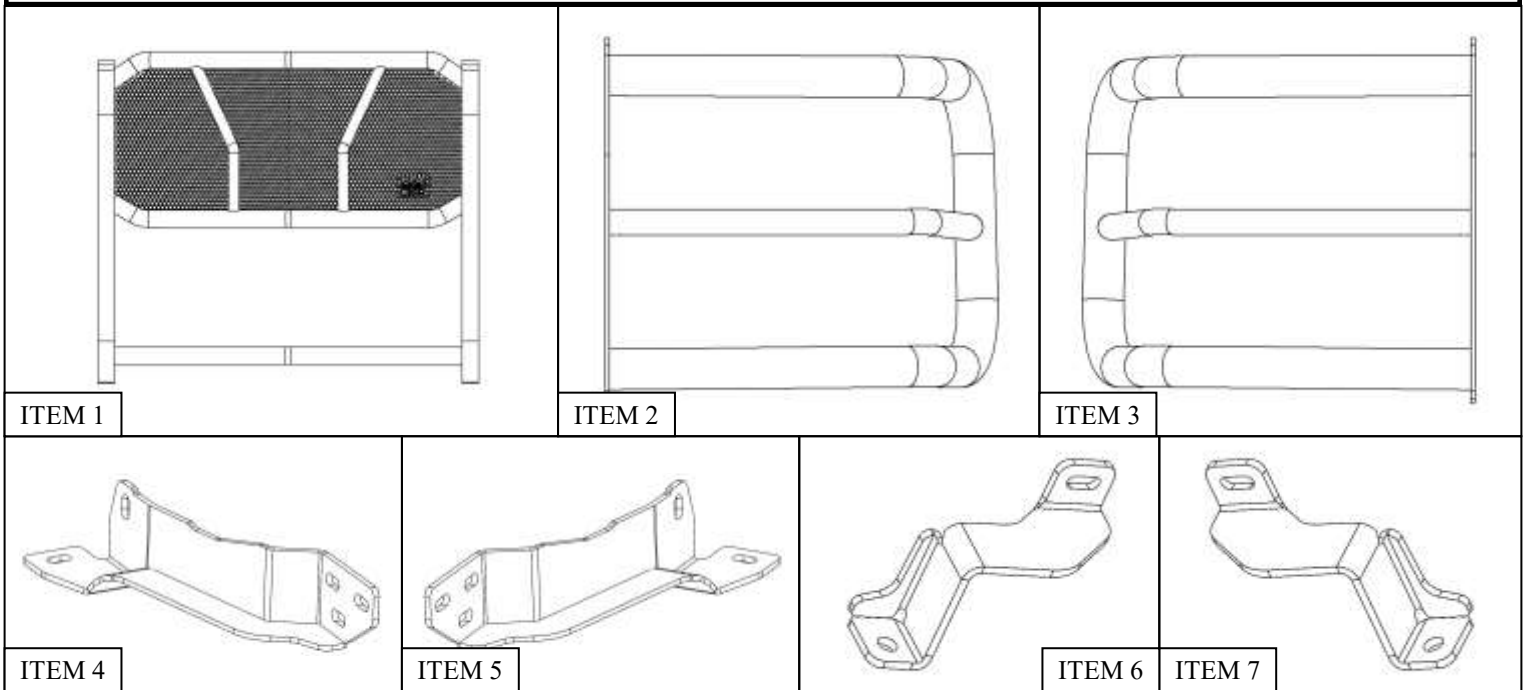
PART NUMBER:

57-23780, 57-23785



| CONTENT | | | |
|---------|----------|--|--------------------------|
| ITEM | QUANTITY | DESCRIPTION | TOOLS NEEDED |
| 1 | 1 | GRILLE GUARD BASE | 13MM SOCKET |
| 2 | 1 | GRILLE GUARD DRIVER WING | 13MM WRENCH |
| 3 | 1 | GRILLE GUARD PASSENGER WING | 16MM SOCKET |
| 4 | 1 | LOWER DRIVER MOUNTING BRACKET | 16MM WRENCH |
| 5 | 1 | LOWER PASSENGER MOUNTING BRACKET | 19MM SOCKET |
| 6 | 1 | UPPER SUPPORT DRIVER BRACKET | 19MM WRENCH |
| 7 | 1 | UPPER SUPPORT PASSENGER BRACKET | ALLEN WRENCH |
| 8 | 4 | M12 HEX HEAD FLANGE BOLT | FLAT HEAD SCREWDRIVER |
| 9 | 4 | M12 SERRATED FLANGE NUT | |
| 10 | 8 | M10 HEX SOCKET BUTTON HEAD BOLT (<i>BLACK ZINC or RAW S/S</i>) | RATCHET |
| 11 | 8 | M10 BELLVILLE WASHER (<i>BLACK ZINC or RAW S/S</i>) | TORQUE WRENCH |
| 12 | 8 | M10 SERRATED FLANGE NUT (<i>BLACK ZINC or RAW S/S</i>) | |
| 13 | 8 | M8 HEX SOCKET BUTTON HEAD BOLT (<i>BLACK ZINC or RAW S/S</i>) | |
| 14 | 8 | M8 BELLVILLE WASHER (<i>BLACK ZINC or RAW S/S</i>) | |
| 15 | 8 | M8 SERRATED FLANGE NUT (<i>BLACK ZINC or RAW S/S</i>) | |

ANTI-SEIZE LUBRICANT MUST BE USED ON ALL STAINLESS STEEL FASTENERS TO PREVENT THREAD DAMAGE AND GALLING



PROCEDURE

1. Remove contents from box, verify if all parts listed are present and free from damage. Carefully read and understand all instructions before attempting installation.
Failure to identify damage before installation could lead to a rejection of any claim.
2. Remove the factory tow hooks, if equipped. They can be re-used with this kit if desired. See **Figure 1** for reference.
3. Slip the Lower Mounting Brackets (**Items 4-5**) through the tow hook pockets one side at a time. Position them as shown in **Figure 2**. **Note:** *Install the brackets on the outside of the frame.*
4. Insert the factory tow hook back into their original locations. **Note:** *Skip this step if tow hooks are not available or desired.*

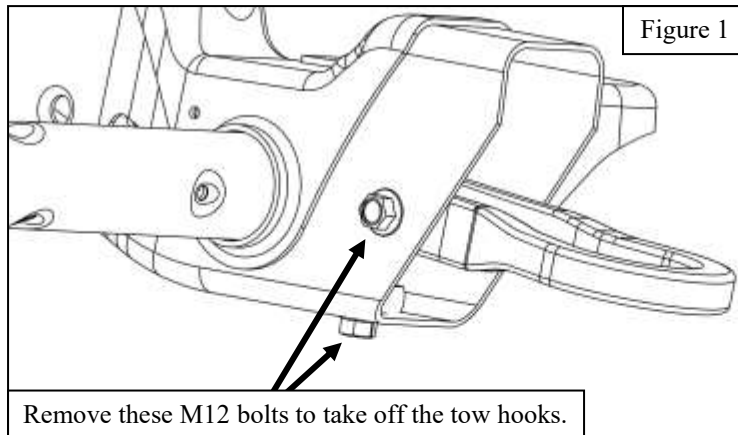


Figure 1

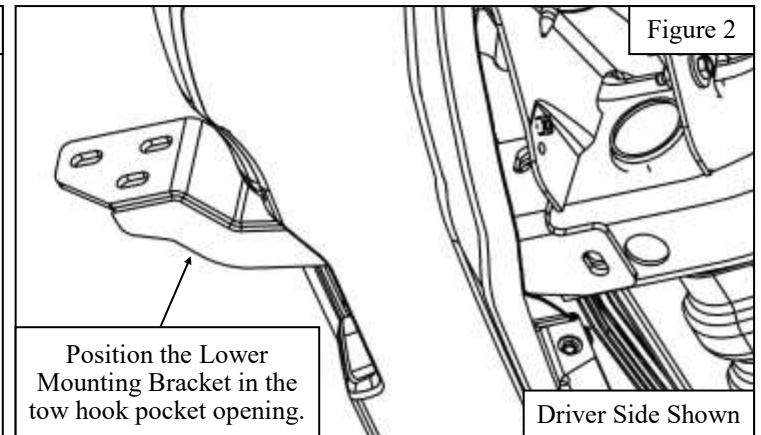


Figure 2

5. Loosely attach the Lower Mounting Brackets (**Items 4-5**) to the vehicle's frame and tow hooks using the factory hardware as shown in **Figure 3**. **Note:** *If the tow hooks are not being used then use the supplied M12 Flange Bolts and Nuts (**Items 8-9**) instead.*
6. Remove the vehicle's radiator cover shown in **Figure 4** by removing the plastic fasteners.

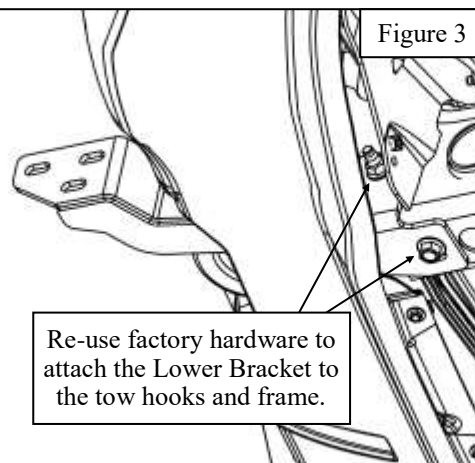
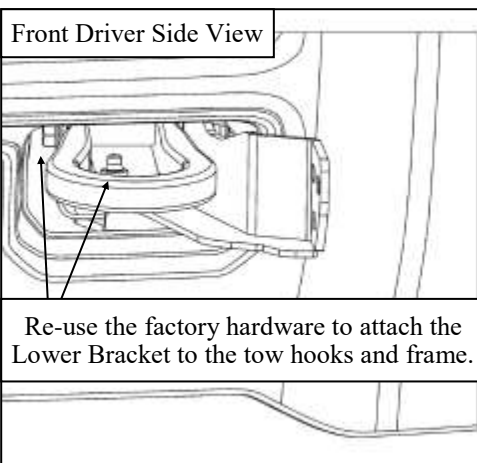


Figure 3

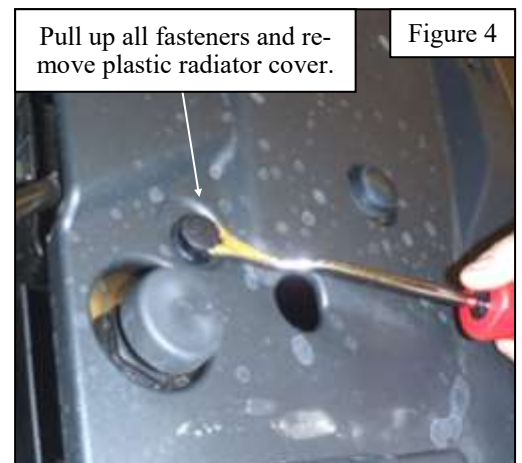


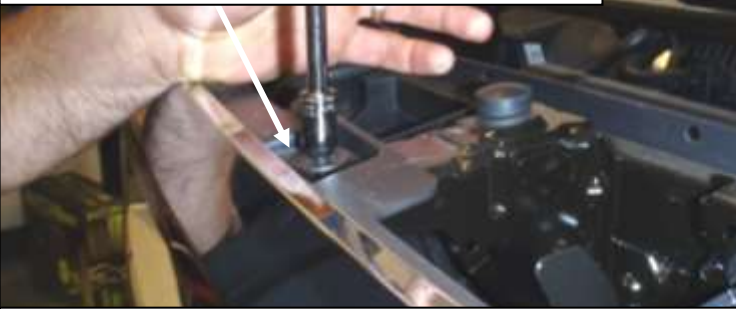
Figure 4

WESTIN

Westin Automotive Products, Inc.
320 W. Covina Blvd
San Dimas, Ca. 91773

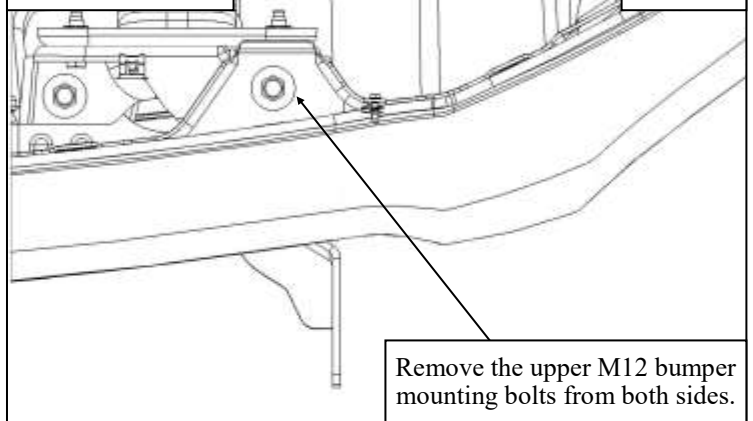
7. Remove the vehicle's grille as shown in **Figure 5**.
8. Remove the upper factory bumper bolts as shown in **Figure 6**.

Remove all of the screws holding the grille to the upper radiator support and carefully pull it from the vehicle. **Figure 5**



Note: There are several inaccessible clips that provide some retention on the grille. They will pop loose when you pull on the grille.

Driver Side Shown **Figure 6**



Remove the upper M12 bumper mounting bolts from both sides.

9. Loosely attach the Support Straps (**Items 6-7**) to the locations where the bumper bolts were previously removed using the factory hardware. See **Figures 7 & 8** for reference.
10. Center the Support Straps (**Items 6-7**) and adjust them to 42-3/4" from outer flange to outer flange. Tighten and torque them to 50-55 ft-lbs. See **Figures 7 & 8** for reference.
11. Reinstall the vehicle's grille and radiator cover the reverse order that they were previously removed. **Note:** The bottom of the grille may need to be carefully squeezed past the Support Straps.

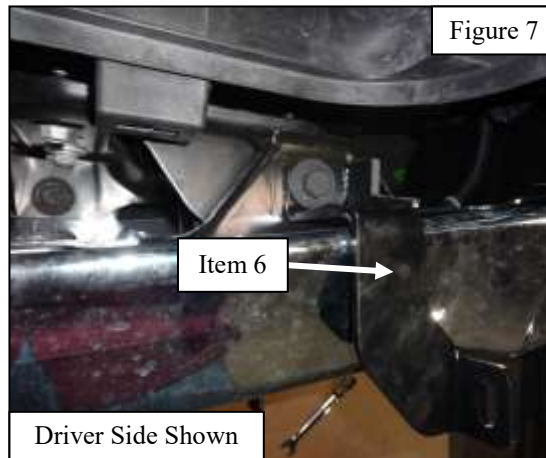
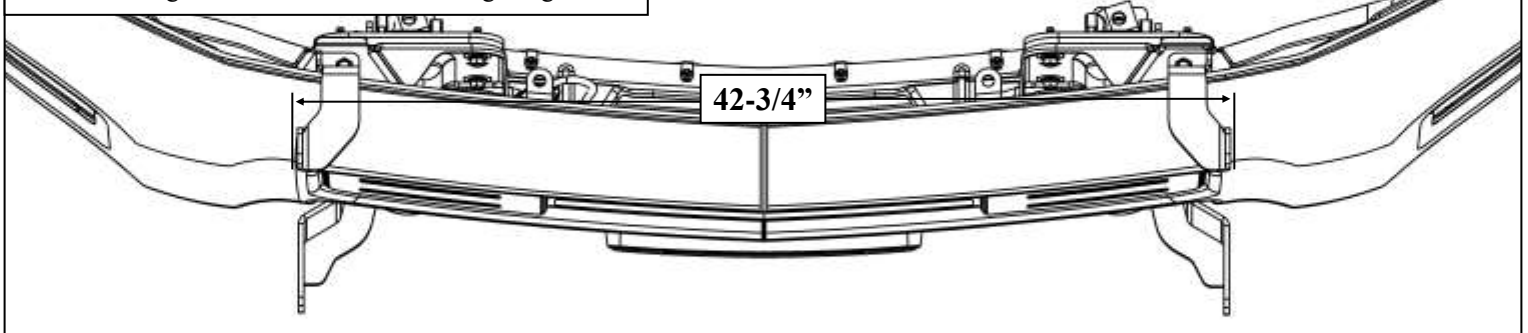


Figure 7

Item 6

Driver Side Shown

Install Support Straps, center them, and space them to 42-3/4". Tighten them before re-installing the grille. **Figure 8**



42-3/4"

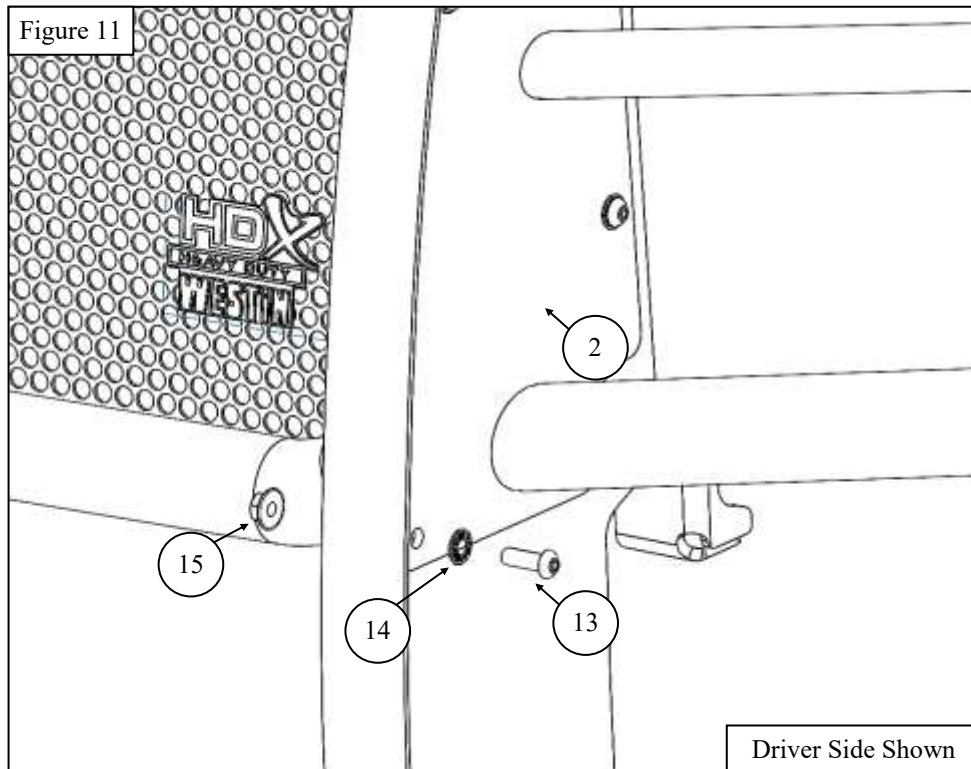
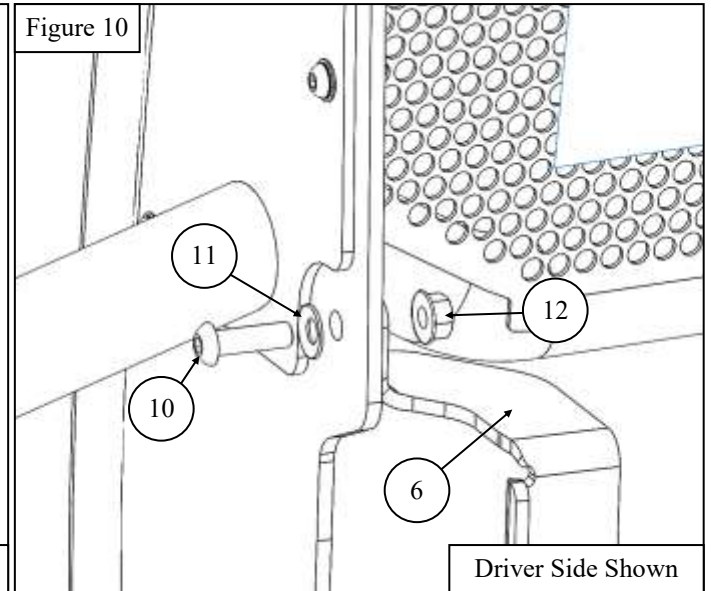
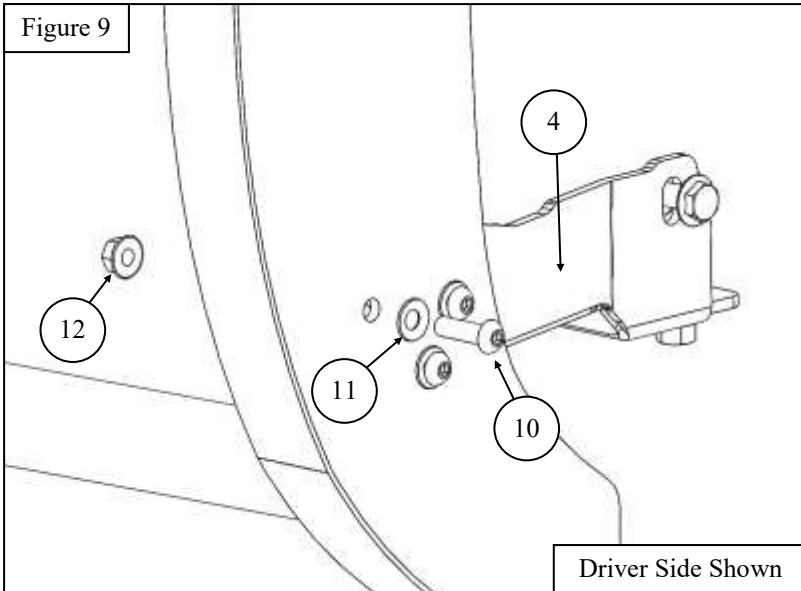
WESTIN

Westin Automotive Products, Inc.
320 W. Covina Blvd
San Dimas, Ca. 91773

Thank you for choosing Westin products
for additional installation assistance please call
Customer Service (800) 793-7846
www.westinautomotive.com

DATE: 08/19/22

12. With assistance loosely install the Grille Guard Base to the previously installed mounting brackets using the provided M10 hardware (**Items 10-12**). See **Figures 9 & 10** for reference.
13. Locate and install the Driver and Passenger Wings (**Items 2-3**) using the supplied M8 hardware (**Items 13-15**). See **Figure 11** for reference.
14. Align and adjust the Grille Guard Assembly, Wings, and mounting brackets as necessary. Fully tighten and torque all remaining hardware as specified: M8 hardware to 15-18 ft-lbs., M10 hardware to 30-35 ft-lbs., and M12 hardware to 50-55 ft-lbs.



Westin Automotive Products, Inc.
320 W. Covina Blvd
San Dimas, Ca. 91773

INSTALLATION COMPLETE



CARE INSTRUCTIONS

- REGULAR WAXING IS RECOMMENDED. DO NOT USE ANY TYPE OF POLISH OR WAX THAT MAY CONTAIN ABRASIVES.
- STAINLESS STEEL PRODUCTS CAN BE CLEANED WITH MILD SOAP AND WATER. STAINLESS STEEL POLISH SHOULD BE USED TO POLISH SMALL SCRATCHES.
- GLOSS BLACK FINISHES SHOULD BE CLEANED WITH MILD SOAP AND WATER.

WESTIN

Westin Automotive Products, Inc.
320 W. Covina Blvd
San Dimas, Ca. 91773

P.N.: 75-5723785-RevA

ECO #: W22-0056

Thank you for choosing Westin products
for additional installation assistance please call
Customer Service (800) 793-7846
www.westinautomotive.com

DATE: 08/19/22



WARNING



Failure to follow these instructions could lead to death, personal injury, and / or property damage.

Failure to follow these instructions could lead to death, personal injury, and / or property damage.

FASTENERS:

All Westin supplied fasteners must be utilized and installed in accordance with the installation instructions and apply torque to the specifications as defined. **DOUBLE CHECK ALL FASTENERS BEFORE INITIAL USE, AND PERIODICALLY IN THE FUTURE TO ENSURE PROPER FUNCTION AND SAFETY.**

DRILLING:

Most Westin products do not require drilling for installation. If drilling is defined as required, use caution when drilling a vehicle. **FAILURE TO REVIEW AN AREA TO BE DRILLED MAY RESULT IN PERSONAL INJURY AND/OR INJURY TO OTHERS AS WELL AS VEHICLE DAMAGE.**

EYE PROTECTION:

ALWAYS WEAR SAFETY GLASSES OR GOGGLES DURING THE INSTALLATION PROCESS TO AVOID PERSONAL INJURY.

MAXIMUM TOWING/CARRYING CAPACITY: (if applicable)

The Westin Receiver Hitches will have a visible tow rating label affixed directly on the product. User should never exceed the vehicle manufacturers maximum tow and weight rating regardless of the capacity of the hitch. **FAILURE TO FOLLOW THESE GUIDELINES WILL VOID THE WESTIN WARRANTY AND MAY RESULT IN PERSONAL INJURY AND/OR INJURY TO OTHERS AS WELL AS VEHICLE DAMAGE.**

FOR CALIFORNIA RESIDENTS ONLY-PROP 65 WARNING:

Some products may contain chemicals such as DEHP, which can cause cancer, birth defects or other reproductive harm. For more info go to www.p65warnings.ca.gov



Westin Automotive Products, Inc.
320 W. Covina Blvd
San Dimas, Ca. 91773