



INSTALLATION INSTRUCTIONS

HDX MODULAR GRILLE GUARD

APPLICATION:

2010-2018 Dodge Ram 2500/3500

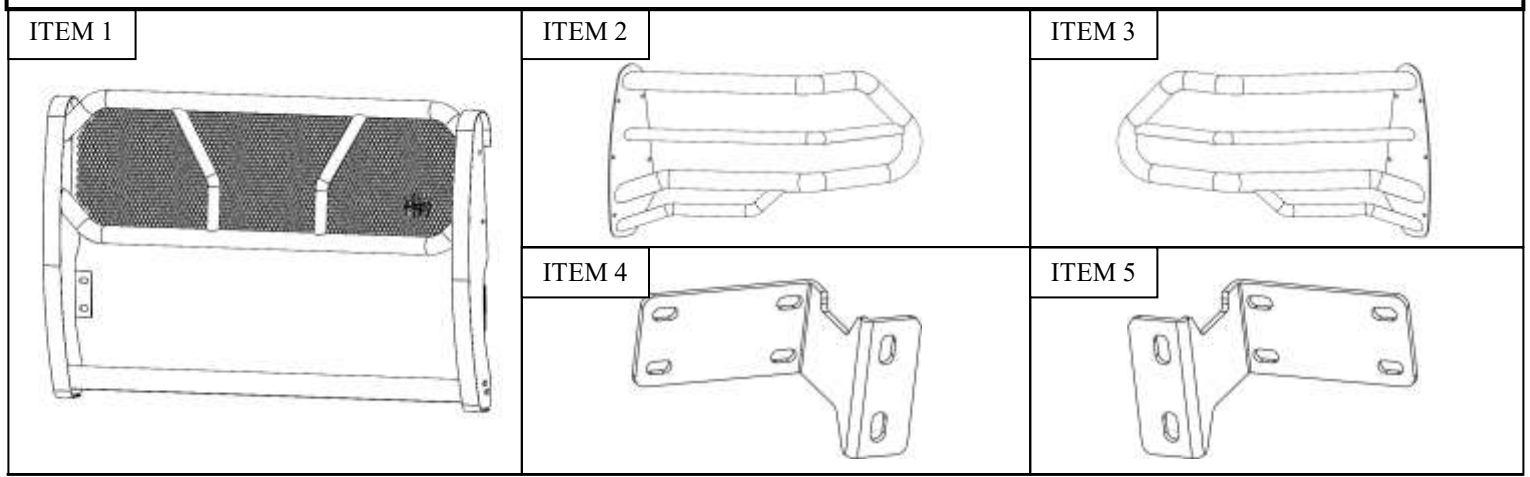
PART NUMBER:

57-23550, 57-23555

CONTENT			
ITEM	QUANTITY	DESCRIPTION	TOOLS NEEDED
1	1	HDX GRILLE GUARD BASE	13MM SOCKET
2	1	HDX DRIVER WING	13MM WRENCH
3	1	HDX PASSENGER WING	16MM SOCKET
4, 5	2	UPPER MOUNTING BRACKET, DRIVER(4) AND PASSENGER(5)	16MM WRENCH
6, 7	2	FRAME MOUNTING BRACKET, DRIVER(6) AND PASSENGER(7)	18MM SOCKET
8, 9	2	LOWER MOUNTING BRACKET, DRIVER(8) AND PASSENGER(9)	18MM WRENCH
10	8	M10 HEX HEAD BOLT (BLACK ZINC)	RATCHET
11	16	M10 FLAT WASHER (BLACK ZINC)	TORQUE WRENCH
12	8	M10 LOCK WASHER (BLACK ZINC)	ALLEN WRENCH
13	8	M10 HEX NUT (BLACK ZINC)	
14	12, 4*	M12 HEX HEAD BOLT (BLACK ZINC)	
15	24, 8*	M12 FLAT WASHER (BLACK ZINC)	
16	12, 4*	M12 LOCK WASHER (BLACK ZINC)	
17	12, 4*	M12 HEX NUT (BLACK ZINC)	
18	8*	M12 HEX HEAD BOLT (RAW S/S)	
19	16*	M12 FLAT WASHER (RAW S/S)	
20	8*	M12 LOCK WASHER (RAW S/S)	
21	8*	M12 HEX NUT (RAW S/S)	
22	10	M8 BUTTON HEAD HEX SOCKET BOLT (BLACK ZINC or RAW S/S)	
23	10	M8 BELLVILLE WASHER (BLACK ZINC or RAW S/S)	
24	10	M8 SERRATED FLANGE NUT (BLACK ZINC or RAW S/S)	

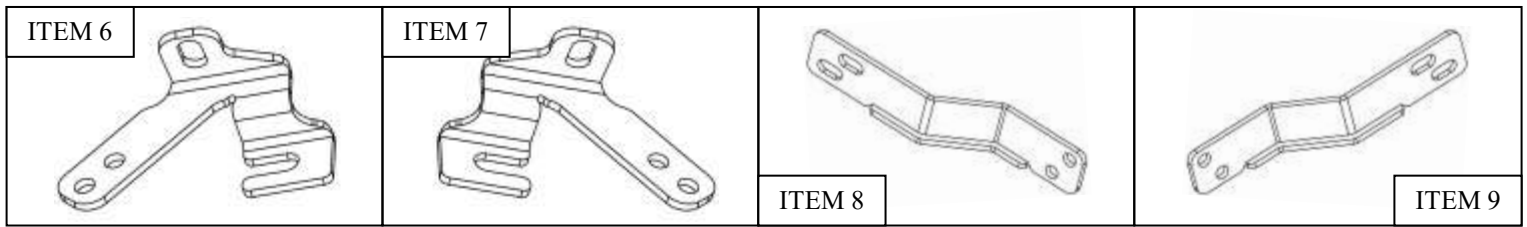
Note: Quantities with an asterisk* are included with the S?S Polished HDX Modular Grille Guard **only**.

ANTI-SEIZE LUBRICANT MUST BE USED ON ALL STAINLESS STEEL FASTENERS TO PREVENT THREAD DAMAGE AND GALLING



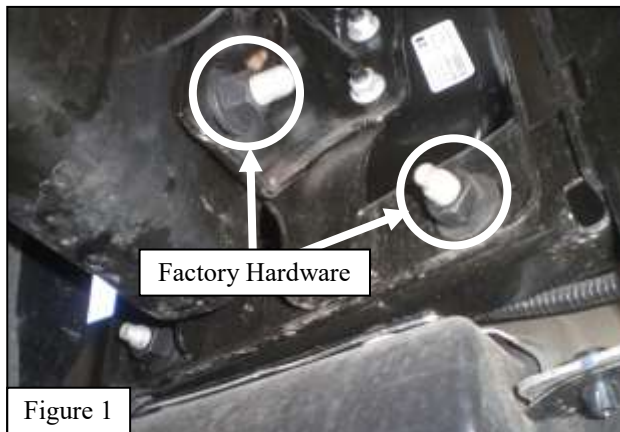
WESTIN Westin Automotive Products, Inc.
320 W. Covina Blvd
San Dimas, Ca. 91773

Thank you for choosing Westin products
for additional installation assistance please call
Customer Service (800) 793-7846
www.westinautomotive.com



PROCEDURE

1. Remove contents from box, verify if all parts listed are present and free from damage. Carefully read and understand all instructions before attempting installation. **Failure to identify damage before installation could lead to a rejection of any claim.**
2. Starting underneath the front of the vehicle, remove the lower plastic valance and set it aside. **Note:** *The valance will have to be trimmed to allow clearance for the lower mounting brackets.*
3. Starting on the driver side of the vehicle, locate and remove the two factory nuts shown in **Figure 1**. Locate the Driver Side Frame Mounting Bracket (Item 6) and attach it to the frame using the factory hardware. See **Figure 2** for reference. Repeat this step for the passenger side.



4. Loosely attach the Lower Mounting Brackets (Items 8-9) to the Frame Mounting Brackets (Items 6-7) using (4) M12 hex head bolts, (8) M12 flat washers, (4) M12 lock washers, and (4) M12 hex nuts. See **Figure 3** for reference.
5. Move to the front of the vehicle and remove the factory tow hooks. Take the Driver Side Upper Mounting Bracket (Item 4) and place it between the frame and tow hook. Replace the factory tow hook hardware using (4) M10 hex head cap screws (8) M10 flat washers, (4) M10 lock washers, and (4) M10 hex nuts. See **Figures 4 & 8** for reference. Repeat this step for the passenger side.

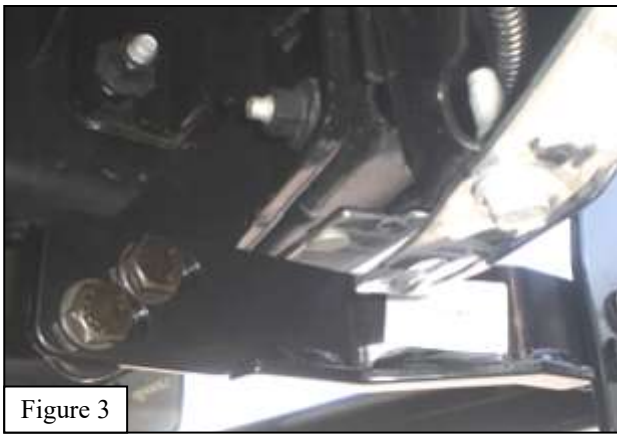


Figure 3

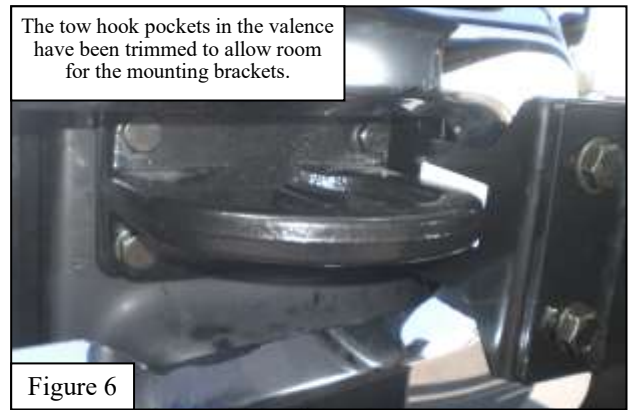


Figure 4

6. With assistance lift the Grille Guard Base and align it with the previously installed mounting brackets. Attach the Grille Guard Base to the brackets using (8) M12 hex head bolts, (16) M12 flat washers, (8) M12 lock washers, and (8) M12 hex nuts. See **Figures 5, 6, & 8** for reference.
7. Trim the plastic valance as necessary to fit the lower mounting brackets and reinstall the valance.



Figure 5



The tow hook pockets in the valance have been trimmed to allow room for the mounting brackets.

Figure 6

8. Locate and mount the HDX Driver Wing (Item 2) to the HDX Grille Guard Base using the supplied M8 hardware (Items 22-24). See **Figure 7** for reference. Repeat for the HDX Passenger Wing (Item 3)..
9. Align and adjust HDX Grille Guard Base, HDX Wings, and mounting brackets as necessary. Fully tighten and torque hardware as specified: M8 hardware to 16-18 ft-lbs., M10 hardware to 30-35 ft-lbs., M12 hardware to 50-55 ft-lbs., and factory hardware to factory specifications.

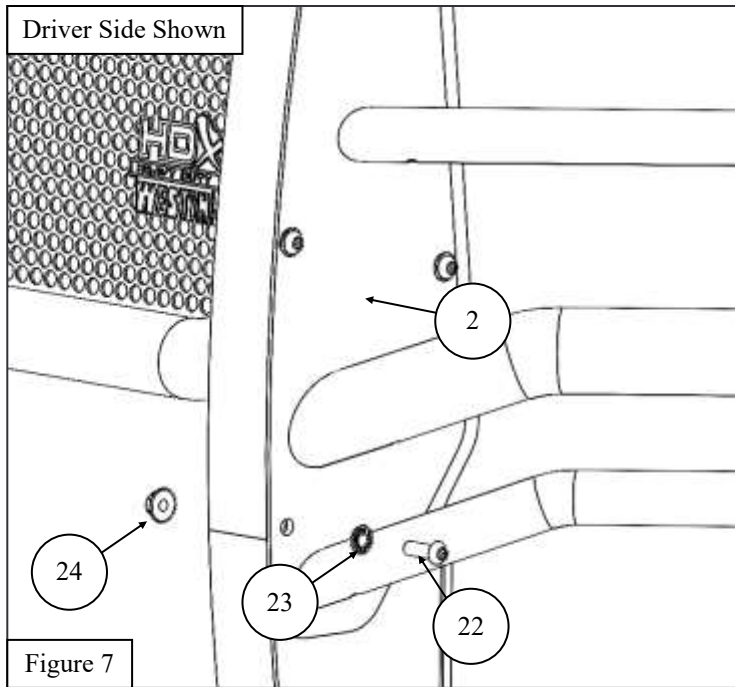


Figure 7

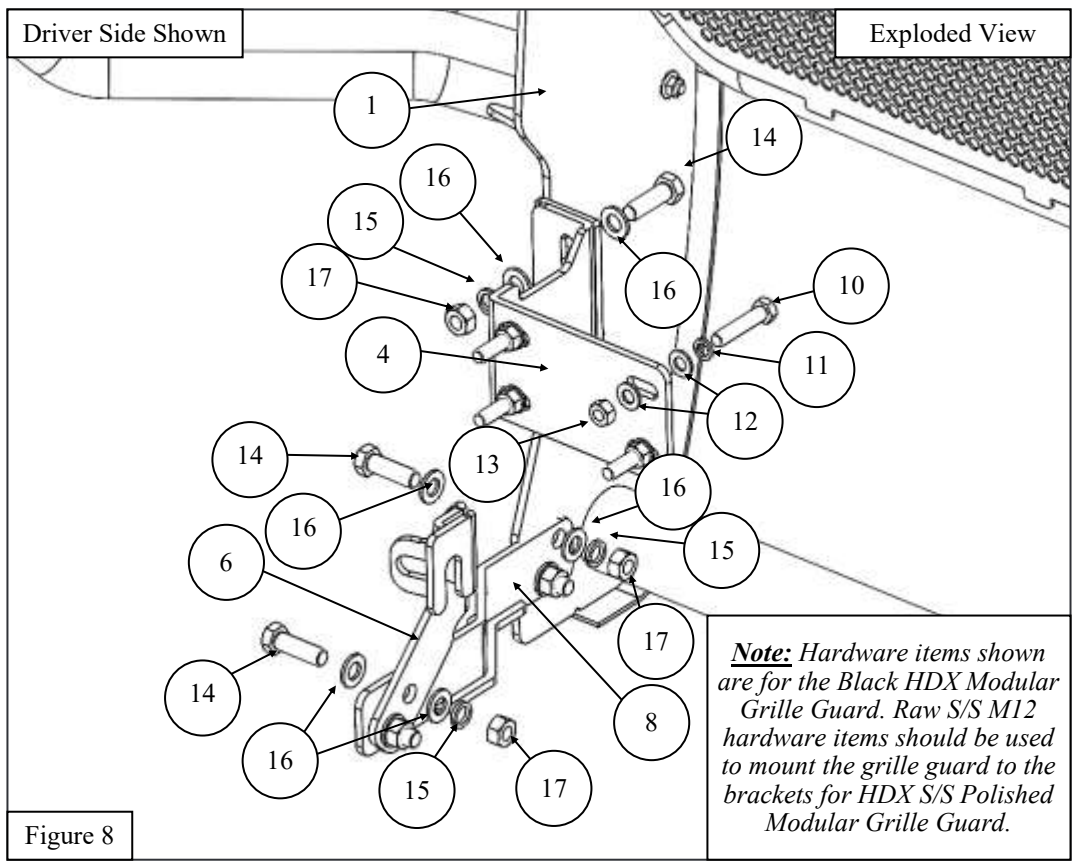


Figure 8



Westin Automotive Products, Inc.
320 W. Covina Blvd
San Dimas, Ca. 91773

Thank you for choosing Westin products
for additional installation assistance please call
Customer Service (800) 793-7846
www.westinautomotive.com

INSTALLATION COMPLETE



CARE INSTRUCTIONS

- REGULAR WAXING IS RECOMMENDED. DO NOT USE ANY TYPE OF POLISH OR WAX THAT MAY CONTAIN ABRASIVES.
- STAINLESS STEEL PRODUCTS CAN BE CLEANED WITH MILD SOAP AND WATER. STAINLESS STEEL POLISH SHOULD BE USED TO POLISH SMALL SCRATCHES.
- GLOSS BLACK FINISHES SHOULD BE CLEANED WITH MILD SOAP AND WATER.



Westin Automotive Products, Inc.
320 W. Covina Blvd
San Dimas, Ca. 91773

Thank you for choosing Westin products
for additional installation assistance please call
Customer Service (800) 793-7846
www.westinautomotive.com



WARNING



Failure to follow these instructions could lead to death, personal injury, and / or property damage.

Failure to follow these instructions could lead to death, personal injury, and / or property damage.

FASTENERS:

All Westin supplied fasteners must be utilized and installed in accordance with the installation instructions and apply torque to the specifications as defined. **DOUBLE CHECK ALL FASTENERS BEFORE INITIAL USE, AND PERIODICALLY IN THE FUTURE TO ENSURE PROPER FUNCTION AND SAFETY.**

DRILLING:

Most Westin products do not require drilling for installation. If drilling is defined as required, use caution when drilling a vehicle. **FAILURE TO REVIEW AN AREA TO BE DRILLED MAY RESULT IN PERSONAL INJURY AND/OR INJURY TO OTHERS AS WELL AS VEHICLE DAMAGE.**

EYE PROTECTION:

ALWAYS WEAR SAFETY GLASSES OR GOGGLES DURING THE INSTALLATION PROCESS TO AVOID PERSONAL INJURY.

MAXIMUM TOWING/CARRYING CAPACITY: (if applicable)

The Westin Receiver Hitches will have a visible tow rating label affixed directly on the product. User should never exceed the vehicle manufacturers maximum tow and weight rating regardless of the capacity of the hitch. **FAILURE TO FOLLOW THESE GUIDELINES WILL VOID THE WESTIN WARRANTY AND MAY RESULT IN PERSONAL INJURY AND/OR INJURY TO OTHERS AS WELL AS VEHICLE DAMAGE.**

FOR CALIFORNIA RESIDENTS ONLY-PROP 65 WARNING:

Some products may contain chemicals such as DEHP, which can cause cancer, birth defects or other reproductive harm. For more info go to www.p65warnings.ca.gov



Westin Automotive Products, Inc.
320 W. Covina Blvd
San Dimas, Ca. 91773