



AUTOMOTIVE PRODUCTS,

# INSTALLATION INSTRUCTIONS

## HDX DROP STEP WTW

### APPLICATION:

2007-2017 Chevy Silverado / GM Sierra / 2500-3500  
Crew Cab - 8 Ft Bed

### PART NUMBER:

56-534585, 56-5345852

ITEM	QUANTITY	DESCRIPTION	TOOLS NEEDED
1	2	STEP BAR ASSEMBLY	3/8" DRIVE RATCHET
2,3	2	CENTER MOUNT BRACKET, DRIVER (2) AND PASSENGER (3)	1/2" DRIVE RATCHET
4	2	MOUNTING BRACKET A	TORQUE WRENCH
5	2	MOUNTING BRACKET B	13MM SOCKET
6*	1	MOUNTING BRACKET C	SOCKET EXT.
7	32	M8 HEX HEAD BOLT LONG (YELLOW ZINC)	13MM WRENCH
8	4	M8 HEX HEAD BOLT SHORT (YELLOW ZINC)	18MM SOCKET
9	32	M8 FLAT WASHER SMALL (YELLOW ZINC)	19MM SOCKET
10	36	M8 LOCK WASHER (YELLOW ZINC)	18MM WRENCH
11	12	M8 U-NUT CLIP (YELLOW ZINC)	19MM WRENCH
12, 13	2	FRONT TOP ISOLATOR BRACKET DRIVER (12), PASSENGER (13)	15MM WRENCH
14, 15	2	FRONT BOTTOM ISOLATOR BRACKET DRIVER (14), PASSENGER (15)	15MM SOCKET
16	4	M8 FLAT WASHER LARGE (YELLOW ZINC)	16MM WRENCH
17	6	M12 HEX HEAD BOLT (YELLOW ZINC)	16MM SOCKET
18	6	M12 SPLIT LOCK WASHER (YELLOW ZINC)	PRY TOOL
19	4	M10 FLAT WASHER (YELLOW ZINC)	
20	4	M10 SPLIT LOCK WASHER (YELLOW ZINC)	
21	4	M10 HEX NUT (YELLOW ZINC)	
22	4	M10 BOLT PLATE (YELLOW ZINC)	
23	6	ISOLATOR KIT	
24, 25	2	REAR TOP ISOLATOR BRACKET DRIVER (24), PASSENGER (25)	
26, 27	2	REAR BOTTOM ISOLATOR BRACKET DRIVER (26), PASSENGER (27)	
28	1	M8 RIV-NUT HAND TOOL (BLACK)	
29	4	M8 RIV-NUT (YELLOW ZINC)	
30	1	M8 HEX HEAD BOLT (BLACK ZINC)	

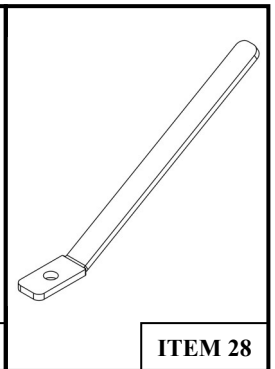
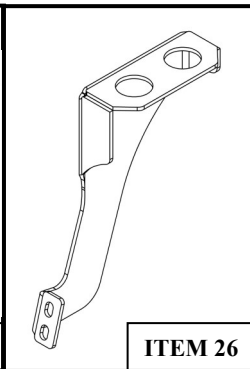
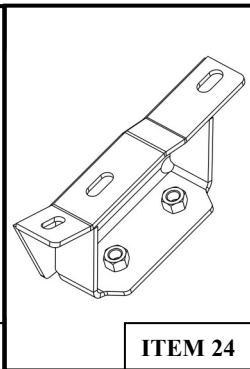
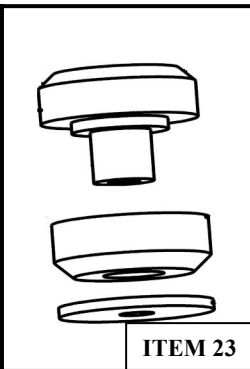
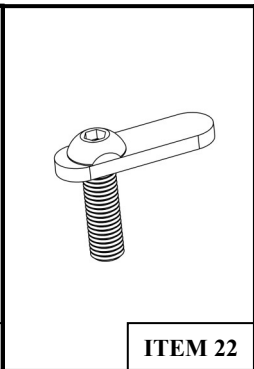
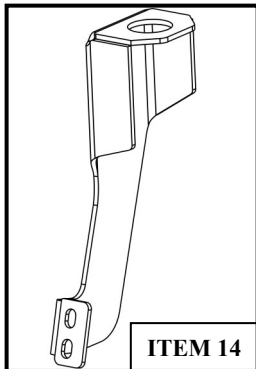
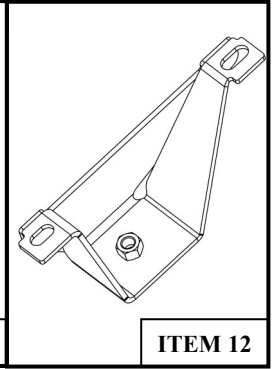
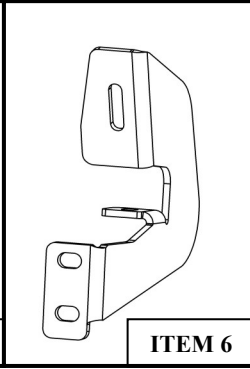
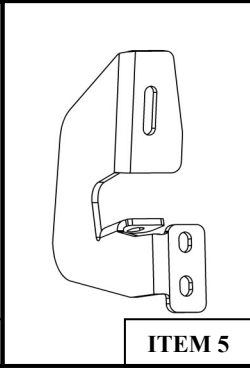
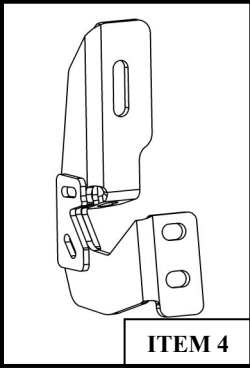
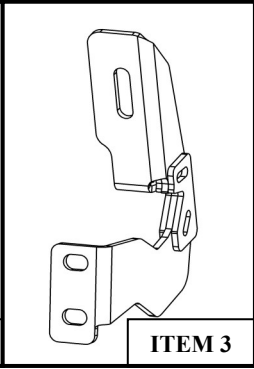
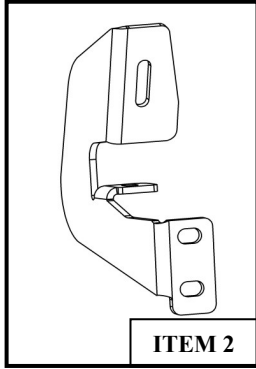
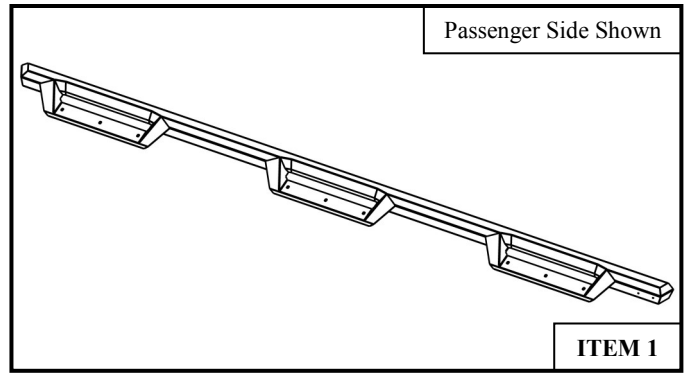
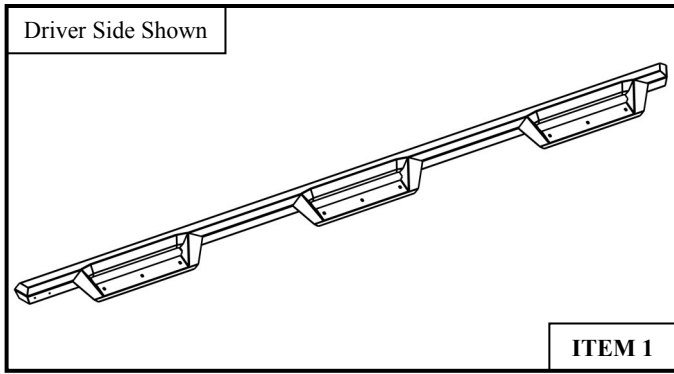
**ANTI-SEIZE LUBRICANT MUST BE USED ON ALL STAINLESS STEEL FASTENERS TO PREVENT THREAD DAMAGE AND GALLING**

**ITEM WITH ( \* ) - IS ONLY USED FOR GAS DRIVEN APPLICATIONS**



Westin Automotive Products, Inc.  
320 W. Covina Blvd  
San Dimas, Ca. 91773

Thank you for choosing Westin products  
for additional installation assistance please call  
Customer Service (800) 793-7846



### PROCEDURE

1. Remove contents from box, verify if all parts listed are present and free from damage.  
Carefully read and understand all instructions before attempting installation.  
**Failure to identify damage before installation could lead to a rejection of any claim.**

### NOTE: For installation on diesel equipped vehicles.

**\*DEF tank is located on the Front Passenger Side of the vehicle**

#### 2016 & Down Models

- Def tank must be removed and lowered. Follow the instructions on page 7.
- Return to page 2 and follow instructions 1-17.
- Reinstall Def tank.

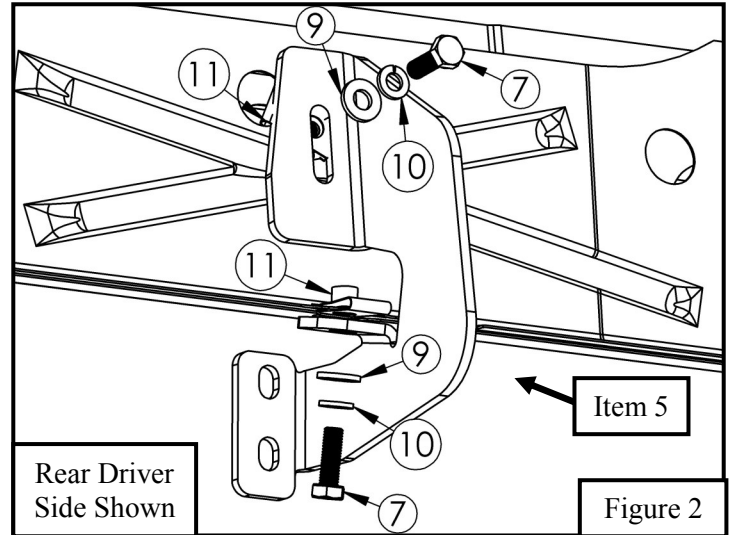
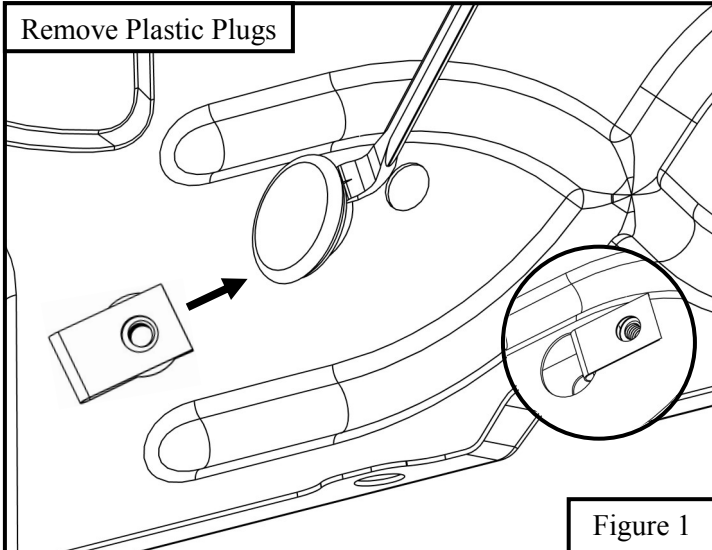
#### 2017 & Up Models

- Def Tank does not need to be removed, only remove the DEF tank cover. Follow the instructions on page 8.
- Return to page 2 and follow instructions 1-17.
- Reinstall Def tank cover.

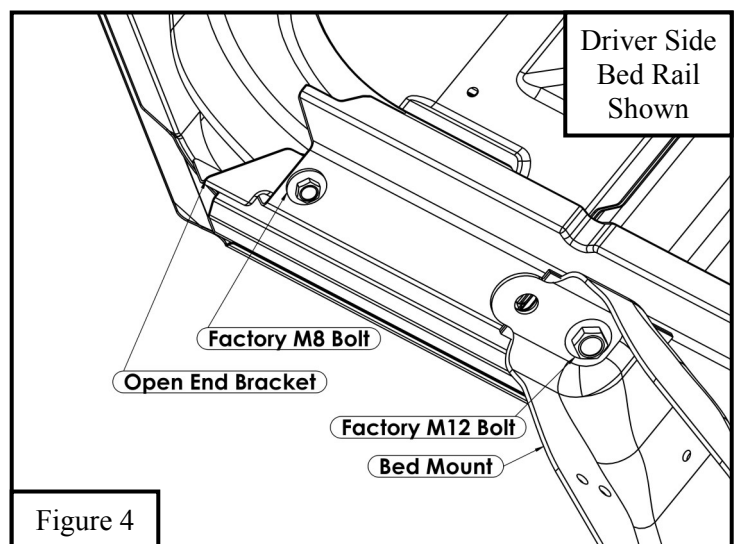
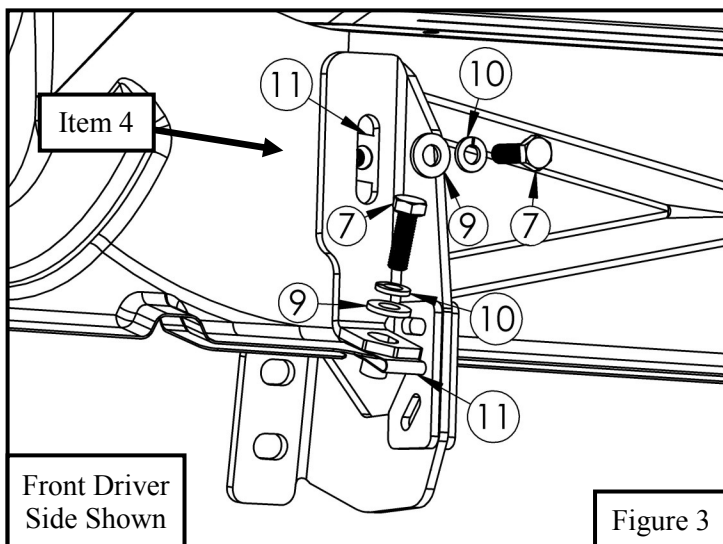


Westin Automotive Products, Inc.  
320 W. Covina Blvd  
San Dimas, Ca. 91773

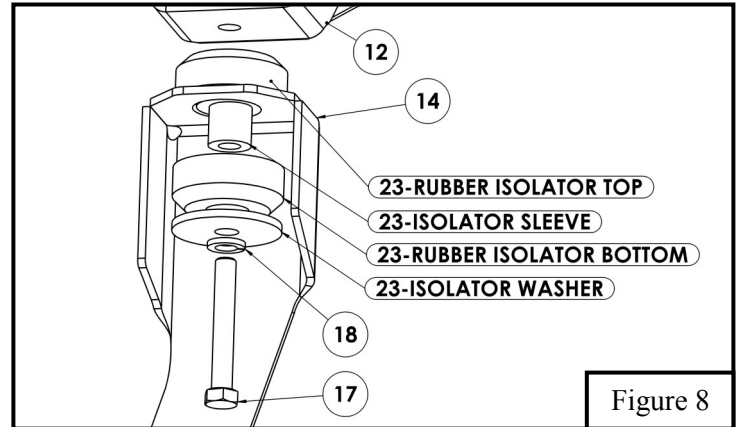
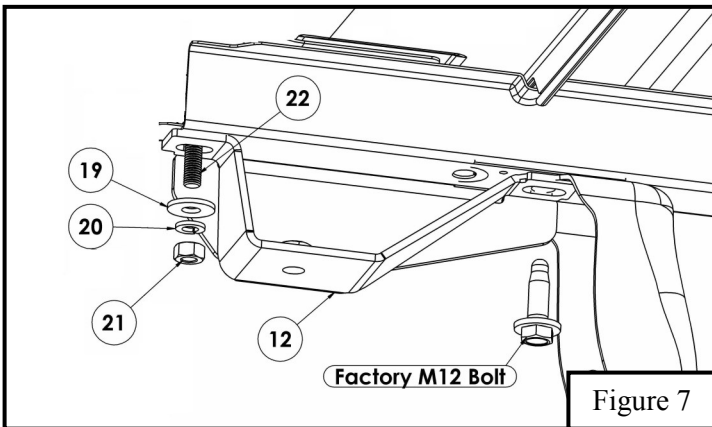
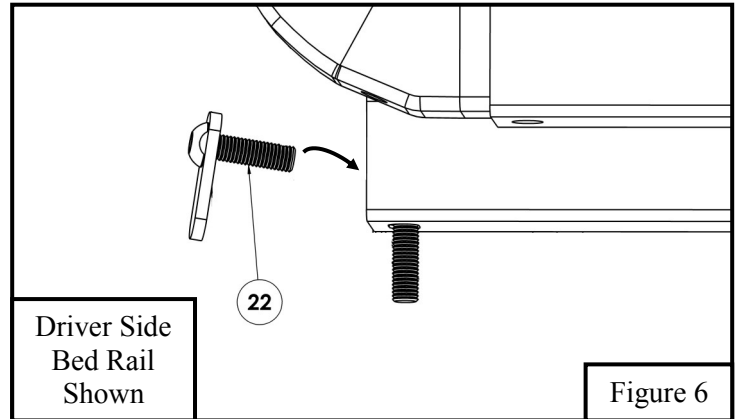
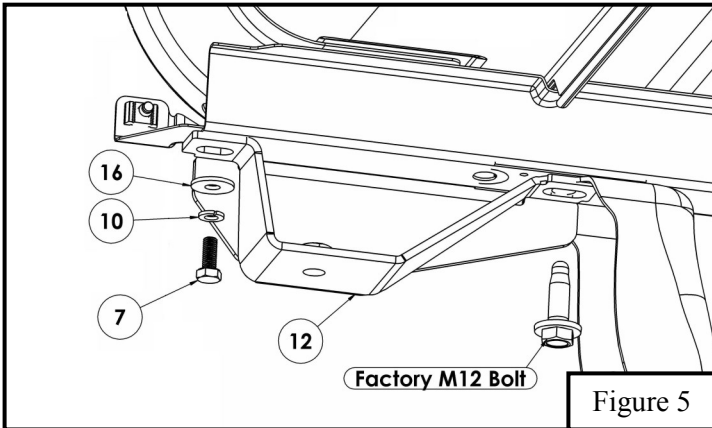
2. Starting on the driver side, remove the plastic plugs located on the rocker panel at each mounting location. See **Figure 1**.
3. Insert (1) M8 u-nut clip (Item 11) into the hole where the rubber plug was removed and onto pinch weld if no threaded holes are present on the rocker panel.
4. Repeat **Step 3** for every other bracket mounting location, see **Fig. 20-21** on **pg. 6** for bracket orientation and location.  
(**Note:** Passenger center mounting location will use **Item 3** for **Diesel** applications and **Item 6** for **Gas** applications.)
5. Locate (1) Mounting Bracket B (Item 5) and loosely install with supplied M8 hardware. See **Figure 2**.



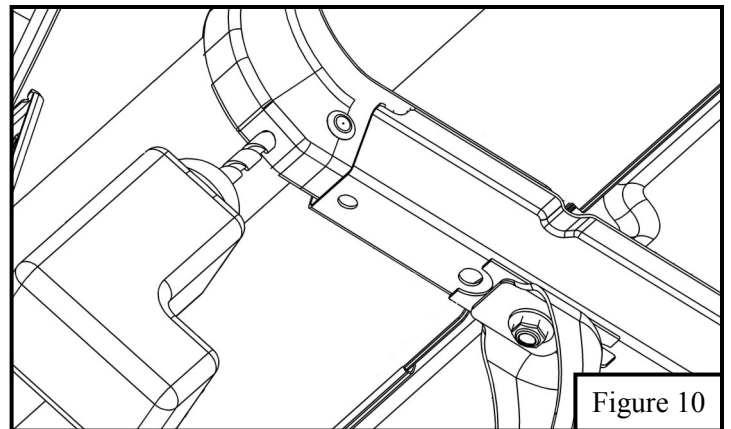
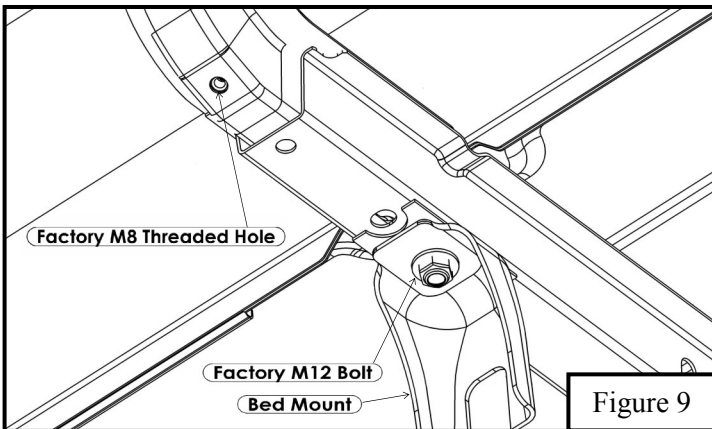
6. Locate (1) Mounting Bracket A (Item 4) and loosely install with supplied M8 hardware. See **Figure 3**. (**Note:** For installation on diesel equipped vehicles follow diesel exhaust fluid tank removal instructions on **page 7 & 8**.)
7. Locate Bed Rail underneath the truck at the front of the bed. If the open end of the rail has an existing bracket remove the attached factory M8 bolt. Locate the bed mount and remove the Factory M12 Bolt. Loosely install Front Top Isolator Bracket (Item 12) with supplied M8 hardware and previously removed Factory M12 Bolt. See **Fig 4-5**.



8. If there is only an existing hole insert supplied M10 bolt plate (Item 22) through existing hole. Then Install Front Top Isolator Bracket (Item 12) with supplied M10 hardware and Factory M12 Bolt. See **Figures 6 and 7**
9. Install Front Bottom Isolator Bracket (Item 14) to previously mounted Front Top Isolator Bracket (Item 12) with supplied Isolator Kit (Item 23) and M12 Hardware. Assemble loosely. See **Figure 8**



10. Locate the Bed Rail immediately after the first, this will be the mount location for the Rear Top Isolator Bracket (Item 24). Remove the Factory M12 Bolt from the Bed Mount. If the curved portion at the front of the rail has a threaded hole (Item 24) will be installed with the supplied M8 hardware and the previously removed Factory M12 Bolt. See **Figure 9 and 12**
11. If the hole is not threaded in the curved portion of the bed rail, then a 27/64" hole must be drilled out. Once the hole is drilled out, insert the supplied M8 riv-nut (Item 29). (**Note:** Riv-nut should fit snug in the hole, should **not** spin easily. 2 extra riv-nuts are provided in case damage occurs to the riv-nut or failure to install). See **Figures 10 and 11**



Westin Automotive Products, Inc.  
320 W. Covina Blvd  
San Dimas, Ca. 91773

Thank you for choosing Westin products  
for additional installation assistance please call  
Customer Service (800) 793-7846

12. Once riv-nut is in place use the supplied Riv-Nut Hand Tool (Item 28) by applying pressure on the surface of the previously placed M8 riv-nut. Use the supplied black M8 bolt (Item 30) and begin to torque the bolt through the hand tool and into the riv-nut while constantly applying pressure to assure the M8 riv-nut does not spin. Once the riv-nut is fully installed, grab (Item 24) and install with supplied M8 hardware and Factory M12 Bolt. See **Figure 11 and 12**
13. If the bed rail does not curve and instead has an open end with an existing hole, insert supplied M10 bolt plate (Item 22) through the existing hole. Then Install Rear Top Isolator Bracket (Item 24) with supplied M10 hardware and previously removed Factory M12 Bolt. See **Figures 13 and 14**

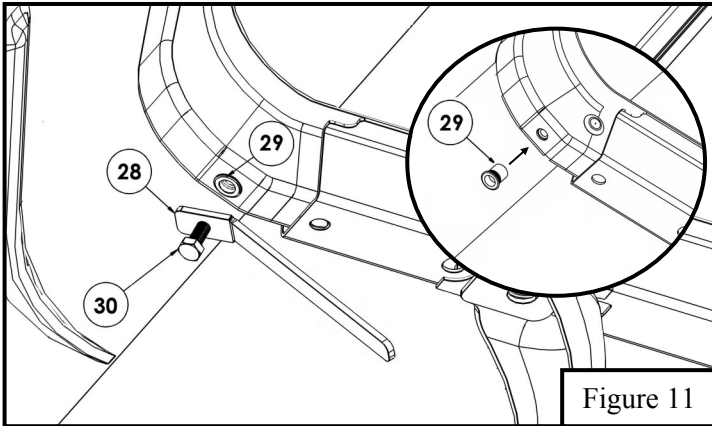


Figure 11

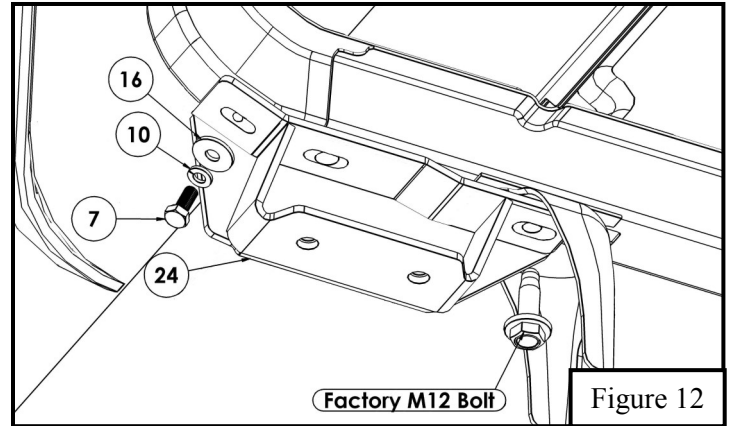


Figure 12

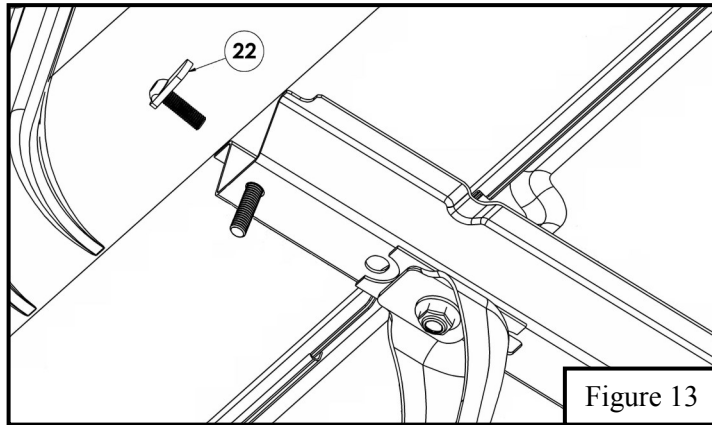


Figure 13

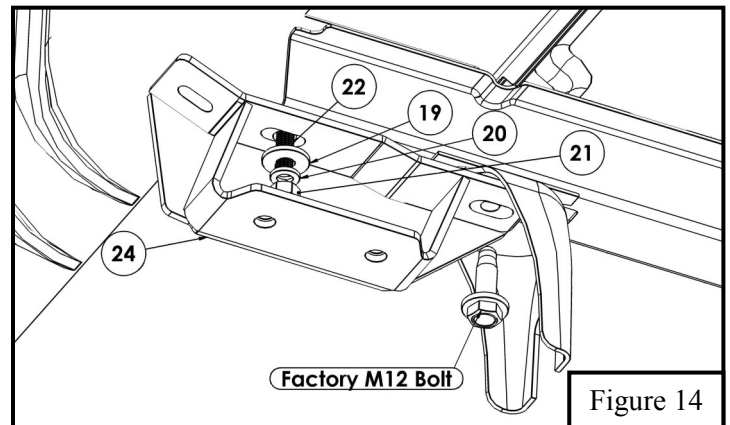


Figure 14

14. Install Rear Bottom Isolator Bracket (Item 26) to previously mounted Rear Top Isolator Bracket (Item 24) with supplied Isolator Kit (Item 23) and M12 Hardware. Assemble loosely. See **Figure 15**
15. Tilt Board at an angle to insert center brackets into board mounting location. See **Figure 16**

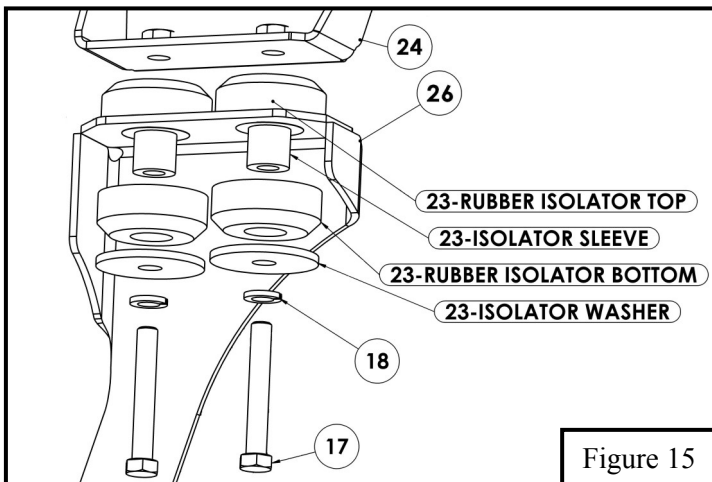


Figure 15

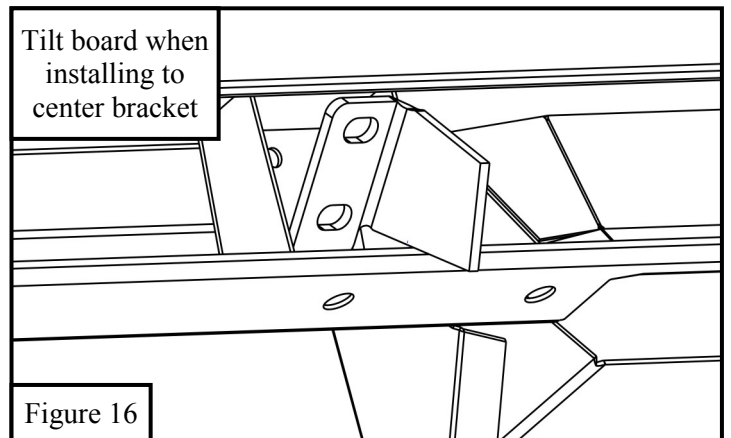
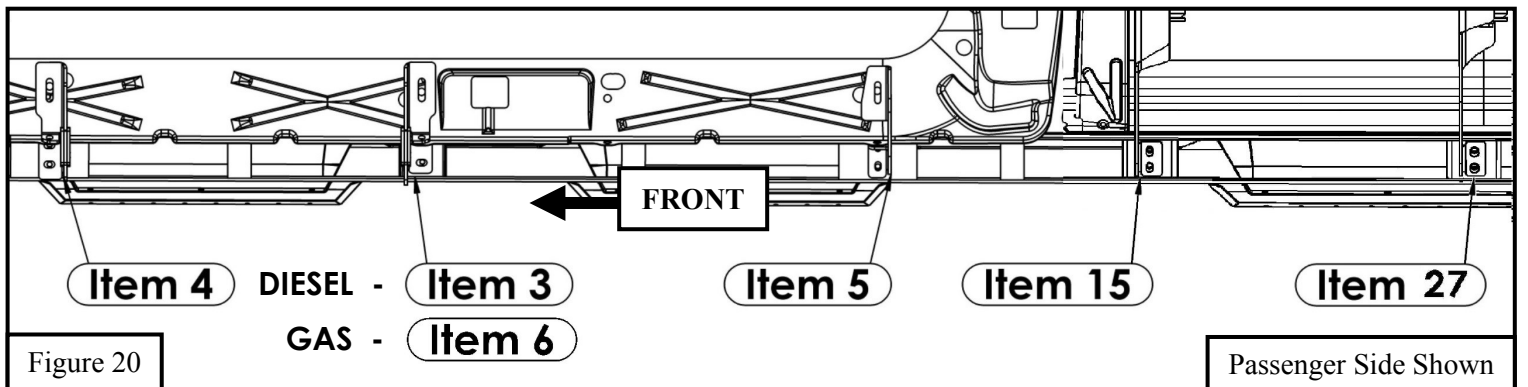
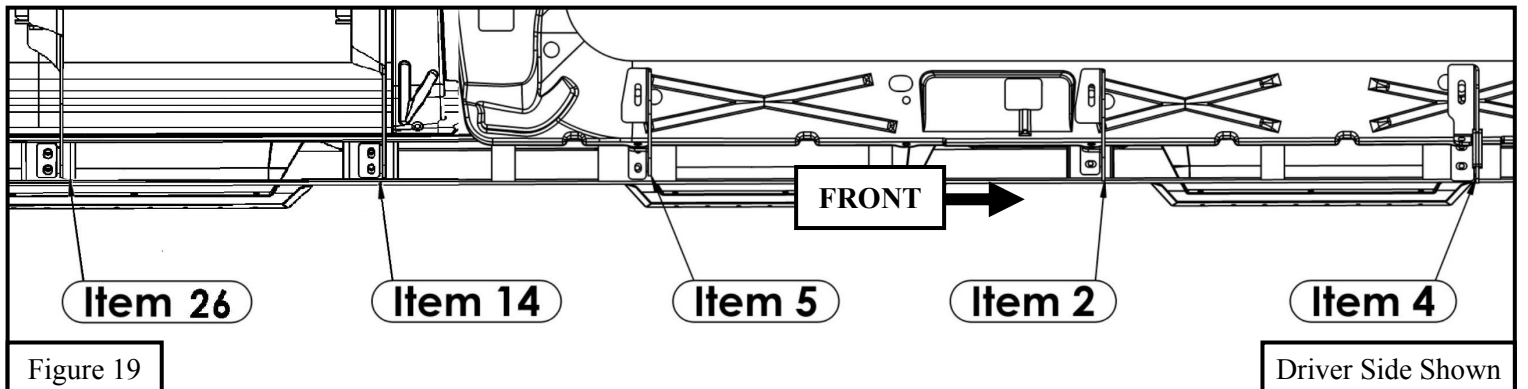
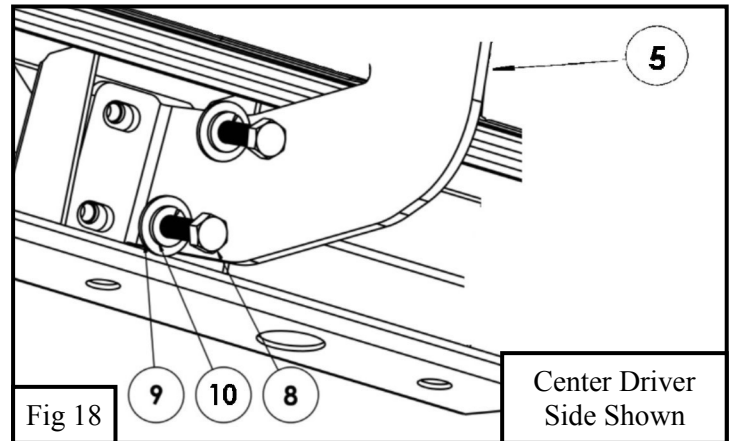
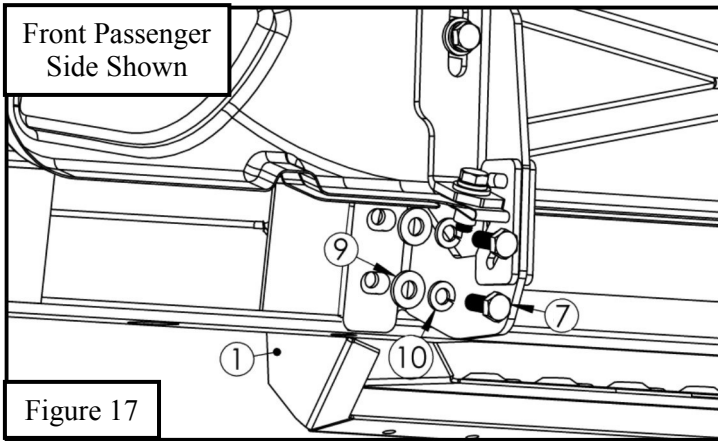


Figure 16

(NOTE : Reference for bracket locations and orientations can be found below in **Figures 19-20**)

16. For Step Board installation to the previously installed mounting brackets use the supplied M8 hardware with short bolts on center mounting locations and use M8 hardware with long bolt for all other mounting locations. See **Figure 11 and 12**.

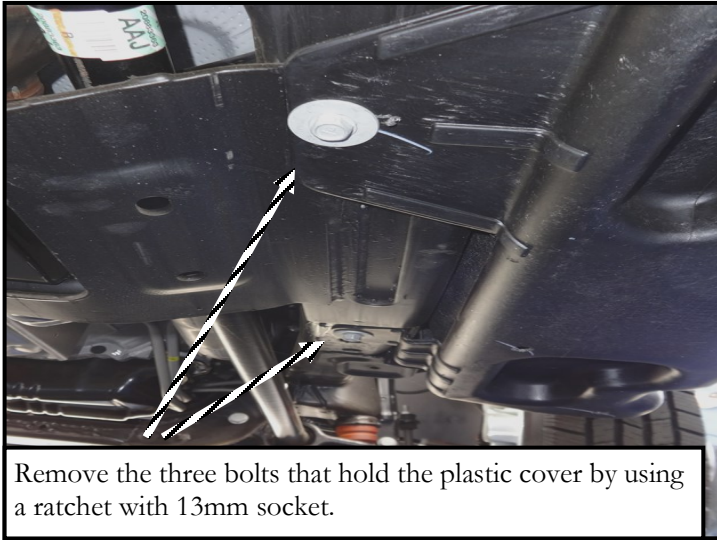
17. Align and adjust the step bars and brackets as needed, then fully tighten all hardware: M8 to 15-18 ft-lbs, M10 to 32-38 ft-lbs, and M12 to 52-60 ft-lbs.



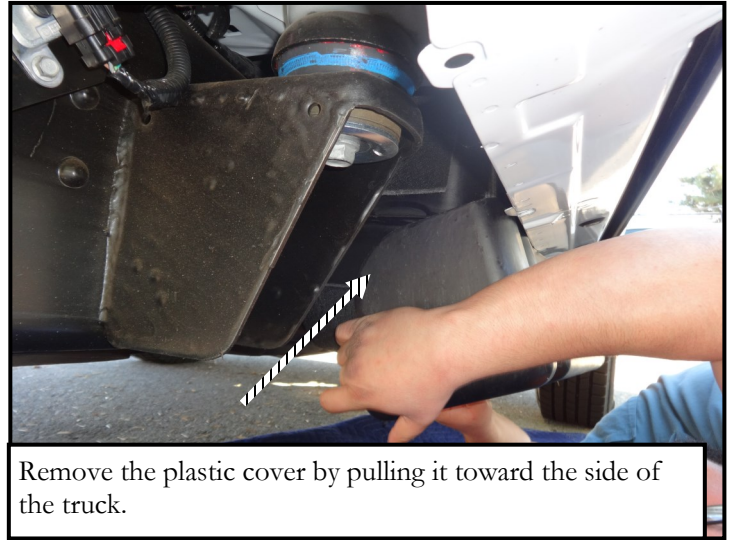
Westin Automotive Products, Inc.  
320 W. Covina Blvd  
San Dimas, Ca. 91773

Thank you for choosing Westin products  
for additional installation assistance please call  
Customer Service (800) 793-7846

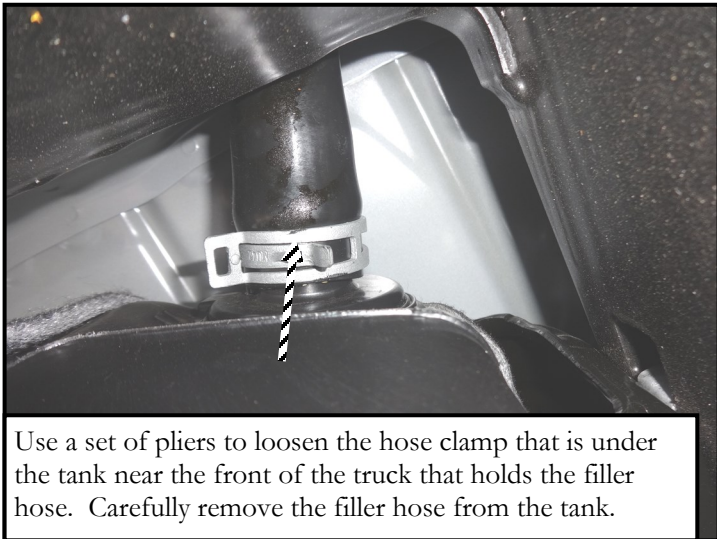
# 2007 - 2016 DIESEL EXHAUST FLUID TANK REMOVAL INSTRUCTIONS w/Diesel Power Train Only



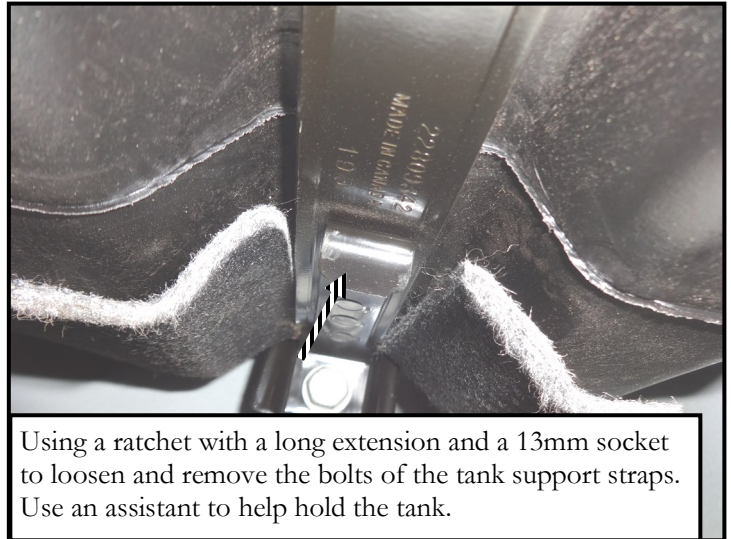
Remove the three bolts that hold the plastic cover by using a ratchet with 13mm socket.



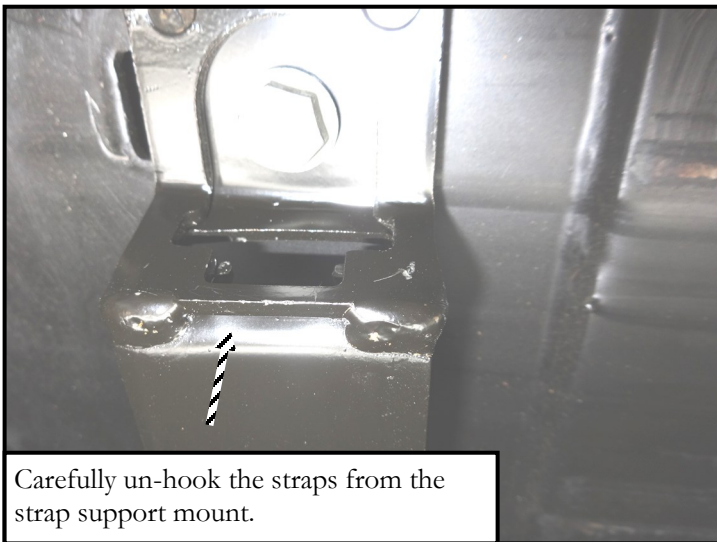
Remove the plastic cover by pulling it toward the side of the truck.



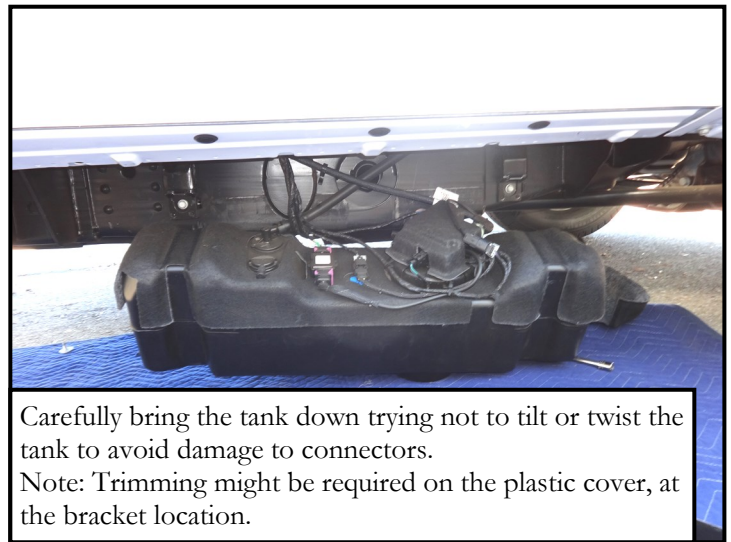
Use a set of pliers to loosen the hose clamp that is under the tank near the front of the truck that holds the filler hose. Carefully remove the filler hose from the tank.



Using a ratchet with a long extension and a 13mm socket to loosen and remove the bolts of the tank support straps. Use an assistant to help hold the tank.



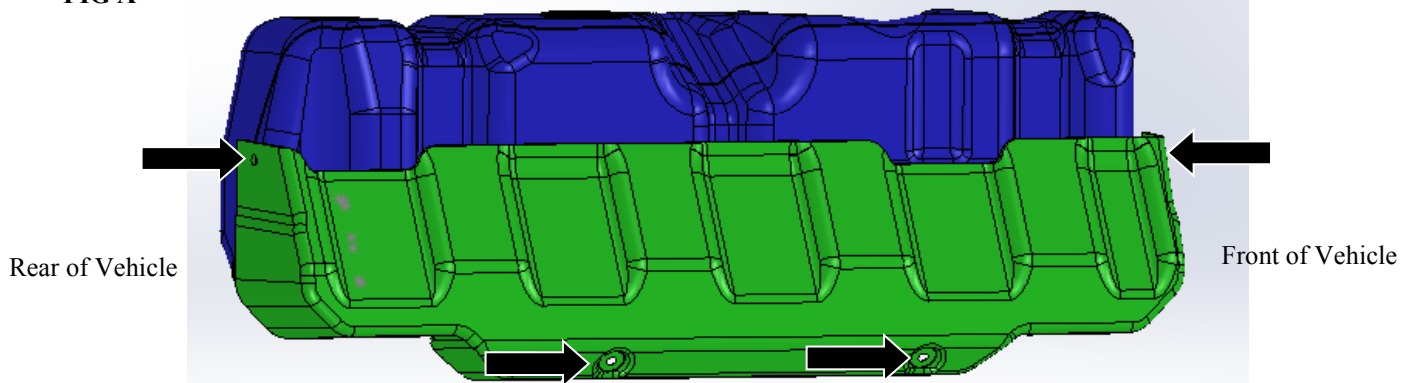
Carefully un-hook the straps from the strap support mount.



Carefully bring the tank down trying not to tilt or twist the tank to avoid damage to connectors. Note: Trimming might be required on the plastic cover, at the bracket location.

**2017 & Up Diesel Models, Note :** Using a 10MM wrench, remove the four bolts that hold the DEF tank plastic cover to the vehicle before installing brackets. Once step bar is fully installed, fasten the tank cover back on. See below **Fig. A**

**FIG A**



(Representative Photo -Double Cab 6Ft Bed Shown)  
**INSTALLATION COMPLETE**



#### Care Instructions

- REGULAR WAXING IS RECOMMENDED. DO NOT USE ANY TYPE OF POLISH OR WAX THAT MAY CONTAIN ABRASIVES.
- STAINLESS STEEL PRODUCTS CAN BE CLEANED WITH MILD SOAP AND WATER. STAINLESS STEEL POLISH SHOULD BE USED TO POLISH SMALL SCRATCHES.
- GLOSS BLACK FINISHES SHOULD BE CLEANED WITH MILD SOAP AND WATER.



Westin Automotive Products, Inc.  
320 W. Covina Blvd  
San Dimas, Ca. 91773

Thank you for choosing Westin products  
for additional installation assistance please call  
Customer Service (800) 793-7846

[www.westinautomotive.com](http://www.westinautomotive.com)



# Westin

SIGNATURE OF QUALITY

AUTOMOTIVE PRODUCTS, INC.



## WARNING



Failure to follow these instructions could lead to death, personal injury, and / or property damage.

### FASTENERS:

All Westin supplied fasteners must be utilized and installed in accordance with the installation instructions and apply torque to the specifications as defined. **DOUBLE CHECK ALL FASTENERS BEFORE INITIAL USE, AND PERIODICALLY IN THE FUTURE TO ENSURE PROPER FUNCTION AND SAFETY.**

### DRILLING:

Most Westin products do not require drilling for installation. If drilling is defined as required, use caution when drilling a vehicle. **FAILURE TO REVIEW AN AREA TO BE DRILLED MAY RESULT IN PERSONAL INJURY AND/OR INJURY TO OTHERS AS WELL AS VEHICLE DAMAGE.**

### EYE PROTECTION:

**ALWAYS WEAR SAFETY GLASSES OR GOGGLES DURING THE INSTALLATION PROCESS TO AVOID PERSONAL INJURY.**

### MAXIMUM TOWING/CARRYING CAPACITY:

The Westin Receiver Hitches will have a visible tow rating label affixed directly on the product. User should never exceed the vehicle manufacturers maximum tow and weight rating regardless of the capacity of the hitch. **FAILURE TO FOLLOW THESE GUIDELINES WILL VOID THE WESTIN WARRANTY AND MAY RESULT IN PERSONAL INJURY AND/OR INJURY TO OTHERS AS WELL AS VEHICLE DAMAGE.**

Westin Automotive Products, Inc.  
320 W. Covina Blvd  
San Dimas, Ca. 91773