

INSTALLATION INSTRUCTIONS

HDX DROP STEPS



APPLICATION:

2022 Toyota Tundra Crew Max, Double Cab

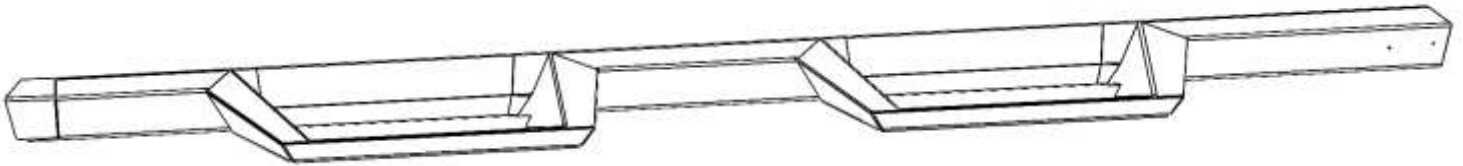
PART NUMBER:

56-14235, 56-142352, 56-14225, 56-142252

ITEM	QUANTITY	DESCRIPTION	TOOLS NEEDED
1	2	HDX DROP STEP ASSEMBLY (1 DRIVER, 1 PASSENGER)	12MM SOCKET
2	2	FRONT MOUNTING BRACKET	12MM WRENCH
3	4/6	CENTER/REAR MOUNTING BRACKETS (4 FOR CREW MAX, 6 FOR DOUBLE CAB)	13MM SOCKET
4	2	CREW MAX REAR MOUNTING BRACKET (CREW MAX APPLICATION ONLY)	13MM WRENCH
5	16	SHORT M8 HEX HEAD BOLT	RATCHET
6	16	LONG M8 HEX HEAD BOLT	TORQUE WRENCH
7	32	M8 SPLIT LOCK WASHER	ALLEN WRENCH
8	32	M8 FLAT WASHER	

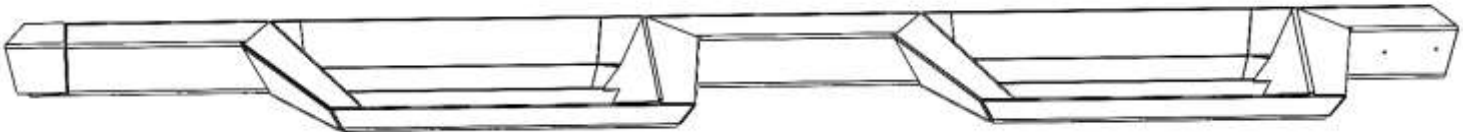
ANTI-SEIZE LUBRICANT MUST BE USED ON ALL STAINLESS STEEL FASTENERS TO PREVENT THREAD DAMAGE AND GALLING

ITEM 1 (Crew Max)



Passenger Side Opposite

ITEM 1 (Double Cab)

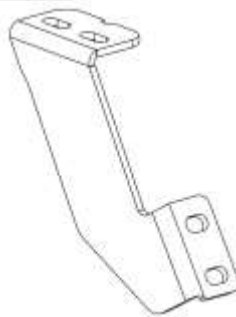


Passenger Side Opposite

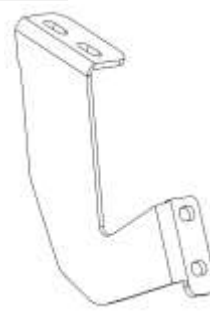
ITEM 2



ITEM 3



ITEM 4

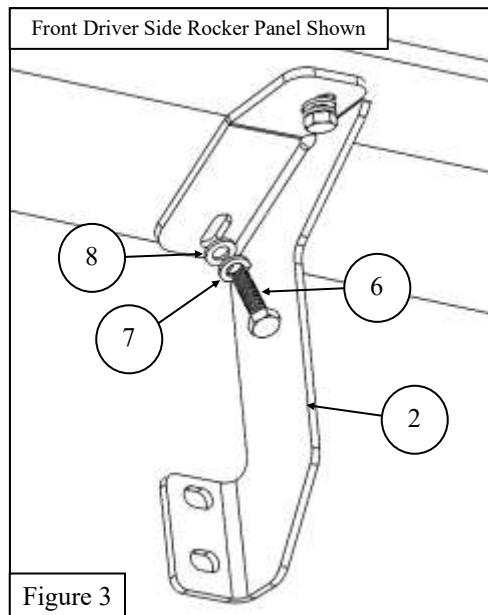
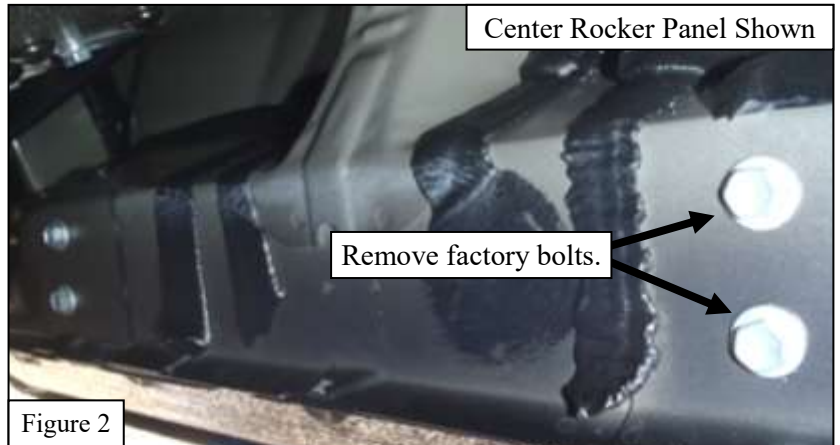
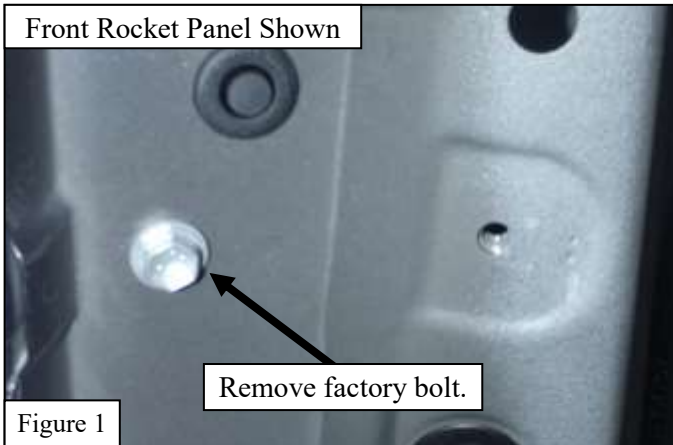


Westin Automotive Products, Inc.
320 W. Covina Blvd
San Dimas, Ca. 91773

Thank you for choosing Westin products
for additional installation assistance please call
Customer Service (800) 793-7846
www.westinautomotive.com

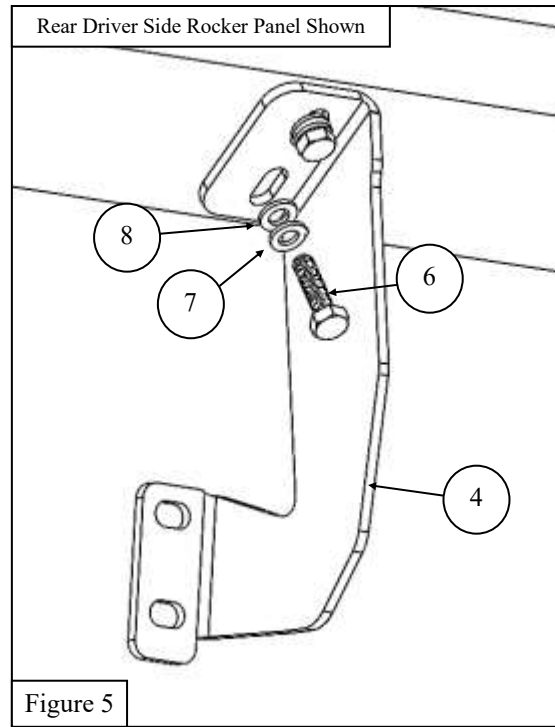
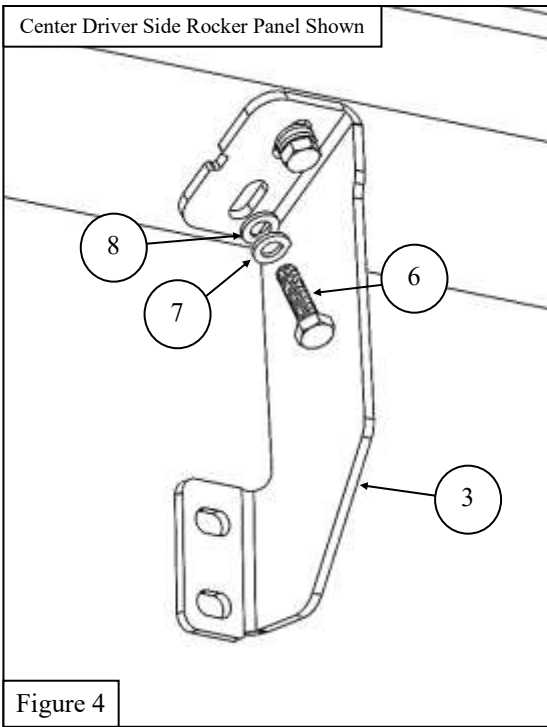
PROCEDURE

1. Remove contents from box, verify if all parts listed are present and free from damage. Carefully read and understand all instructions before attempting installation.
Failure to identify damage before installation could lead to a rejection of any claim.
2. Starting on the either side of the vehicle, locate the mounting locations with factory bolts preinstalled in them. Remove the factory bolts from the threaded holes. See **Figures 1 & 2** for reference. **Note:** *The factory bolts will not be reused.*
3. Locate (1) Front Mounting Bracket (Item 2) and loosely install it to the front mounting location on the rocker panel using the supplied M8 hardware (Items 6-8). See **Figure 3** for reference.



FOR CREW MAX APPLICATIONS

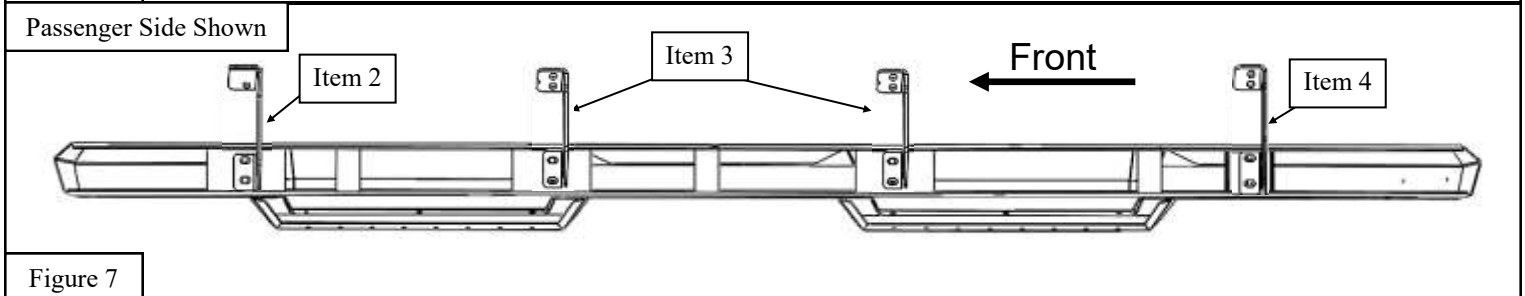
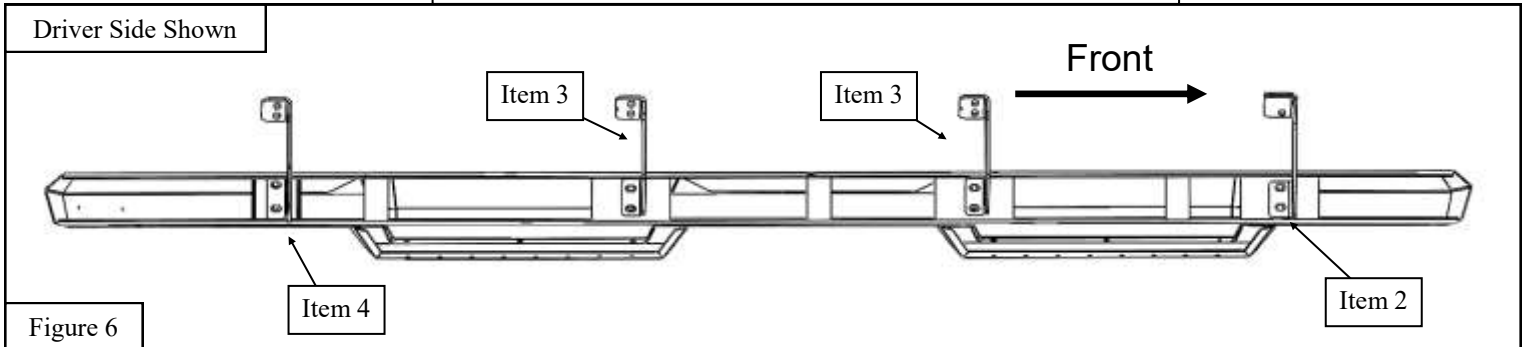
4. Locate (2) Center Mounting Brackets (Item 3) and loosely secure the brackets on the two center rocker panel mounting locations with the supplied M8 hardware (Items 6-8). See **Figure 4** for reference.
5. Locate (1) Rear Mounting Bracket (Item 4) and loosely secure the bracket on the rear rocker panel mounting locations with the supplied M8 hardware (Items 6-8). See **Figure 5** for reference.
6. Repeat **Steps 3 through 5** for the opposite side of the vehicle. **Note:** *See Figures 6 & 7 for the correct bracket orientation.*



FOR DOUBLE CAB APPLICATIONS

6. Locate (3) Center/Rear Mounting Brackets (Item 3) and loosely secure the brackets on the two center rocker panel mounting locations and the rear mounting location with the supplied M8 hardware (Items 6-8). See **Figure 4** for reference.
7. Repeat **Steps 3 & 6** for the opposite side of the vehicle. *Note:* See **Figures 8 & 9** for the correct bracket orientation.

CREW MAX SHOWN (Figures 6 & 7)



DOUBLE CAB SHOWN (Figures 8 & 9)

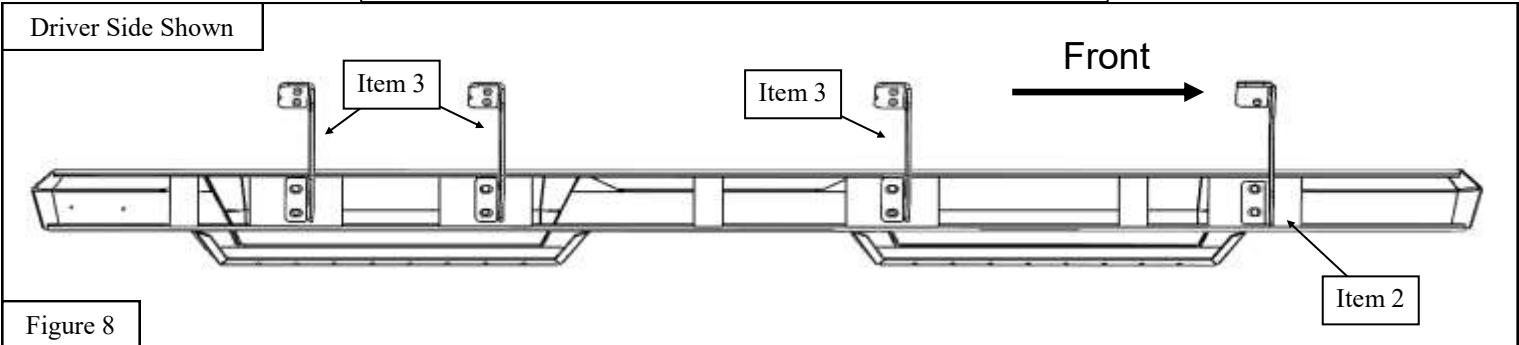


Figure 8

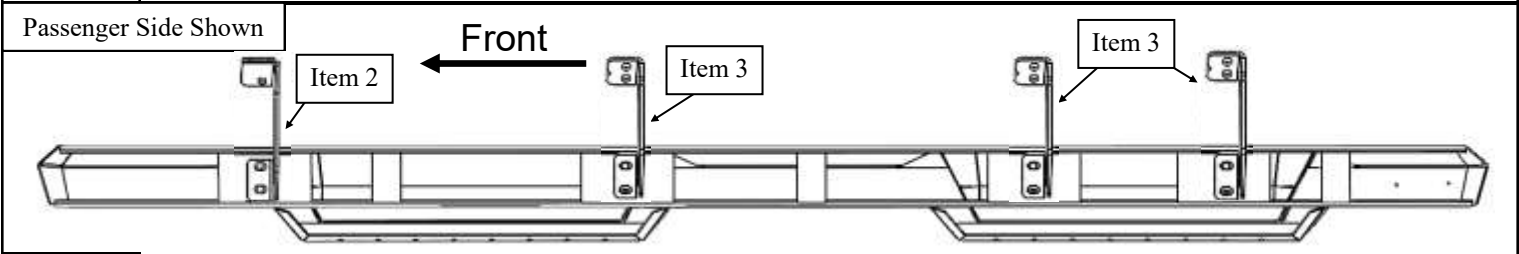


Figure 9

8. Use the supplied M8 Hardware (Items 5, 7-8) to loosely secure the HDX Drop Step (Item 1) to the corresponding Mounting Brackets. See **Figure 10** for reference.
9. Align and adjust the HDX Drop Step Bars and Mounting Brackets as necessary. Tighten and torque all hardware as specified: M8 to 18 ft-lbs.

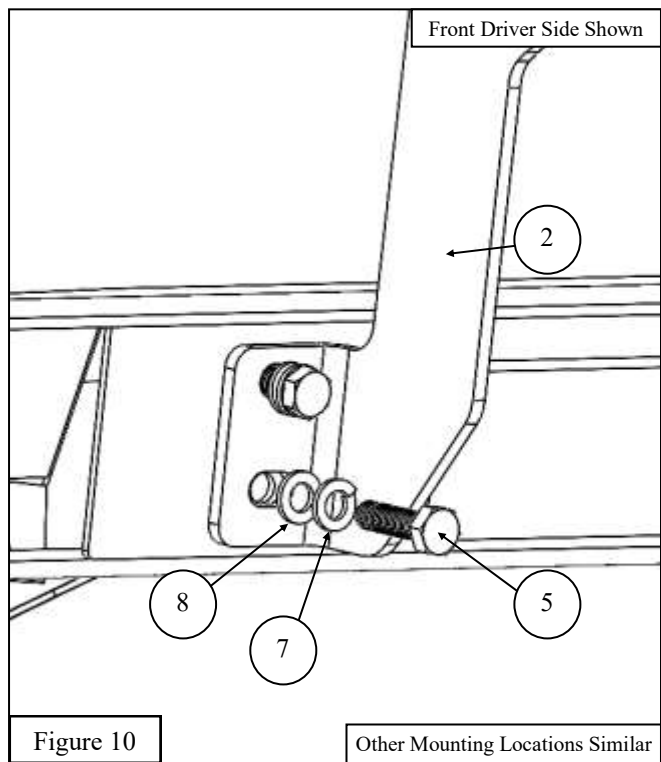


Figure 10

Other Mounting Locations Similar

INSTALLATION COMPLETE



Crew Max Shown



Double Cab Shown

CARE INSTRUCTIONS

- REGULAR WAXING IS RECOMMENDED. DO NOT USE ANY TYPE OF POLISH OR WAX THAT MAY CONTAIN ABRASIVES.
- STAINLESS STEEL PRODUCTS CAN BE CLEANED WITH MILD SOAP AND WATER. STAINLESS STEEL POLISH SHOULD BE USED TO POLISH SMALL SCRATCHES.
- GLOSS BLACK FINISHES SHOULD BE CLEANED WITH MILD SOAP AND WATER.

WESTIN Westin Automotive Products, Inc.
320 W. Covina Blvd
San Dimas, Ca. 91773

Thank you for choosing Westin products
for additional installation assistance please call
Customer Service (800) 793-7846
www.westinautomotive.com
DATE: 08/31/2022



WARNING



Failure to follow these instructions could lead to death, personal injury, and / or property damage.

Failure to follow these instructions could lead to death, personal injury, and / or property damage.

FASTENERS:

All Westin supplied fasteners must be utilized and installed in accordance with the installation instructions and apply torque to the specifications as defined. **DOUBLE CHECK ALL FASTENERS BEFORE INITIAL USE, AND PERIODICALLY IN THE FUTURE TO ENSURE PROPER FUNCTION AND SAFETY.**

DRILLING:

Most Westin products do not require drilling for installation. If drilling is defined as required, use caution when drilling a vehicle. **FAILURE TO REVIEW AN AREA TO BE DRILLED MAY RESULT IN PERSONAL INJURY AND/OR INJURY TO OTHERS AS WELL AS VEHICLE DAMAGE.**

EYE PROTECTION:

ALWAYS WEAR SAFETY GLASSES OR GOGGLES DURING THE INSTALLATION PROCESS TO AVOID PERSONAL INJURY.

MAXIMUM TOWING/CARRYING CAPACITY: (if applicable)

The Westin Receiver Hitches will have a visible tow rating label affixed directly on the product. User should never exceed the vehicle manufacturers maximum tow and weight rating regardless of the capacity of the hitch. **FAILURE TO FOLLOW THESE GUIDELINES WILL VOID THE WESTIN WARRANTY AND MAY RESULT IN PERSONAL INJURY AND/OR INJURY TO OTHERS AS WELL AS VEHICLE DAMAGE.**

FOR CALIFORNIA RESIDENTS ONLY-PROP 65 WARNING:

Some products may contain chemicals such as DEHP, which can cause cancer, birth defects or other reproductive harm. For more info go to www.p65warnings.ca.gov



Westin Automotive Products, Inc.
320 W. Covina Blvd
San Dimas, Ca. 91773