



INSTALLATION INSTRUCTIONS

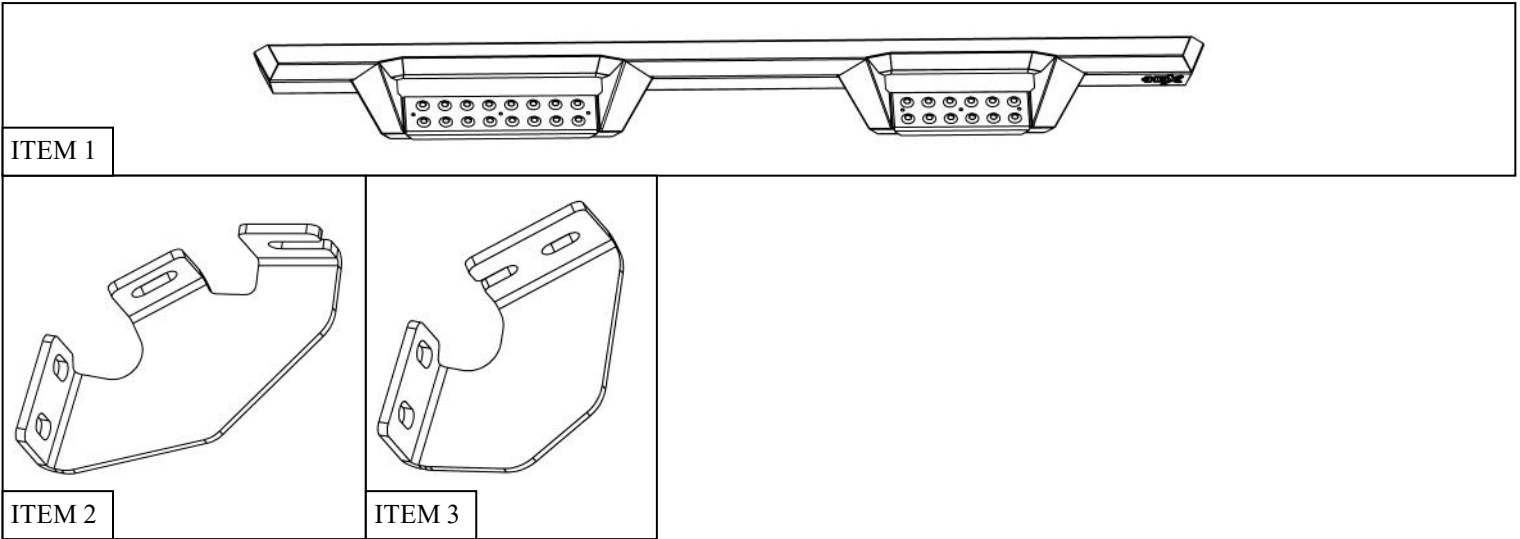
HDX DROP STEPS / HDX STAINLESS DROP STEPS

APPLICATION:
2024 Tacoma Double Cab

PART NUMBER:
56-12785, 56-127852

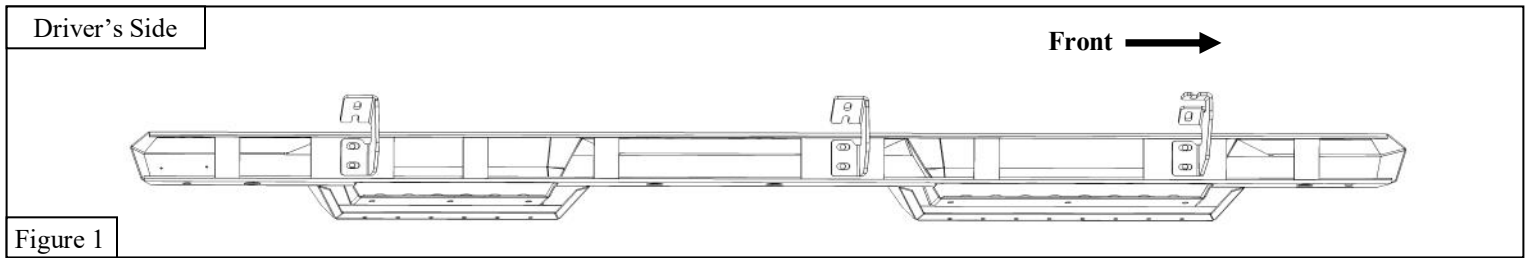
CONTENT			
ITEM	QUANTITY	DESCRIPTION	TOOLS NEEDED
1	1	HDX DROP STEP DRIVER SIDE	13mm SOCKET
2	1	HDX DROP STEP PASSENGER SIDE	13mm WRENCH
3	1	MOUNT BRACKET 'A' DRIVER SIDE	RATCHET
4	1	MOUNT BRACKET 'A' PASSENGER SIDE	TORQUE WRENCH
5	2	MOUNT BRACKET 'B' DRIVER SIDE	
6	2	MOUNT BRACKET 'B' PASSENGER SIDE	
7	12	LONG M8 HEX HEAD BOLT	
8	12	SHORT M8 HEX HEAD BOLT	
9	24	M8 SPLIT LOCK WASHER	
10	24	M8 FLAT WASHER	

ANTI-SEIZE LUBRICANT MUST BE USED ON ALL STAINLESS STEEL FASTENERS TO PREVENT THREAD DAMAGE AND GALLING

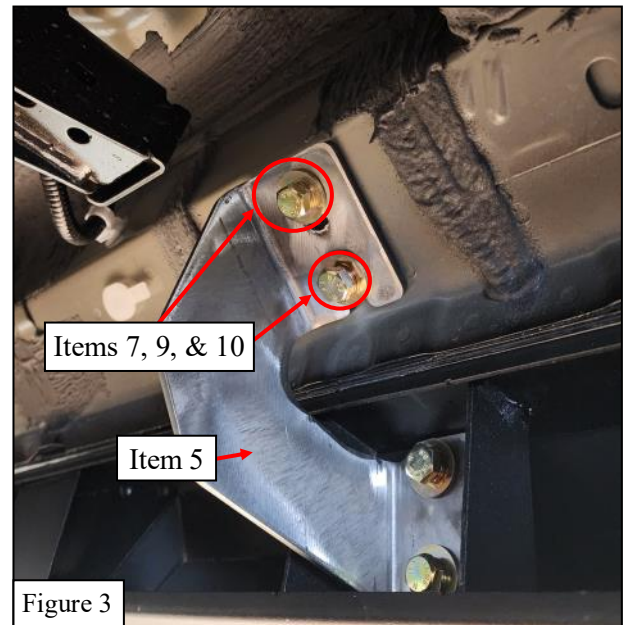
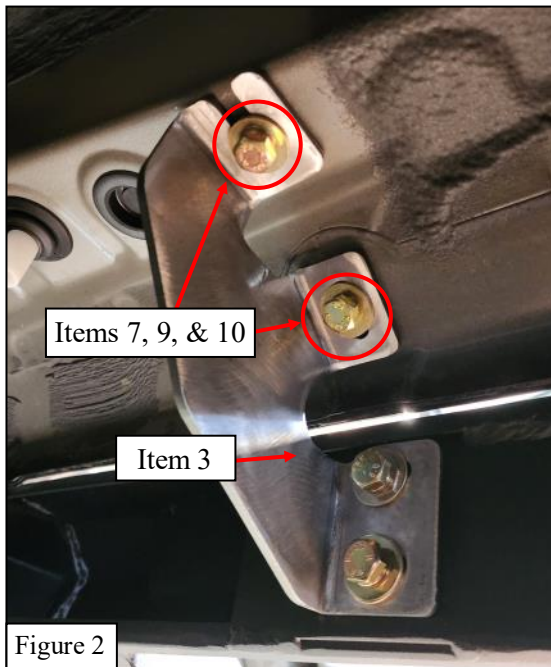


PROCEDURE

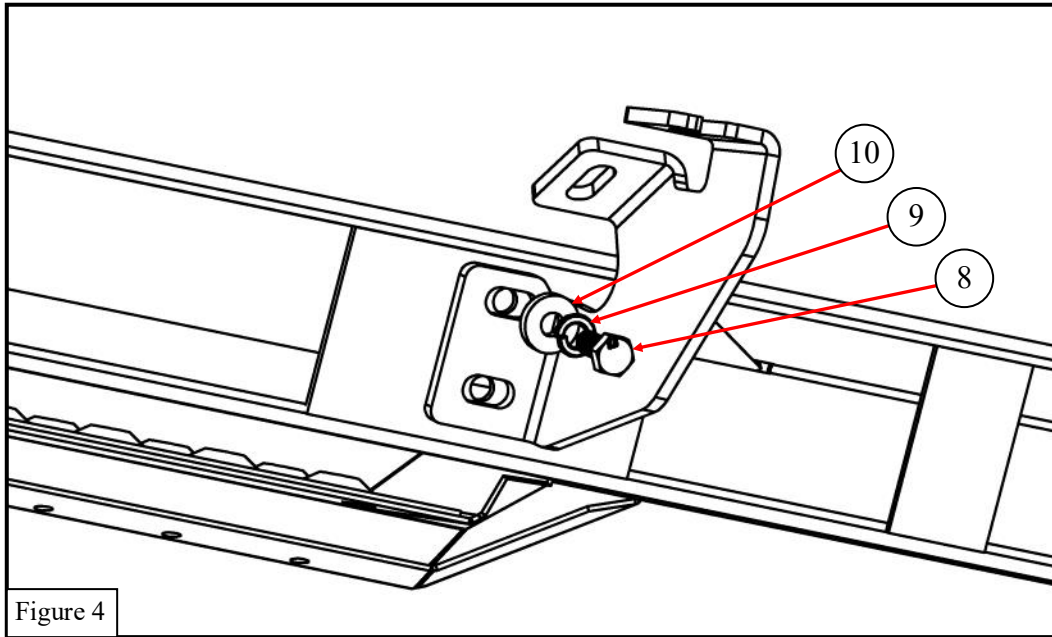
1. Remove contents from box, verify if all parts listed are present and free from damage. Carefully read and understand all instructions before attempting installation.
Failure to identify damage before installation could lead to a rejection of any claim.



2. Start by locating the mounting locations with factory threaded holes. Remove the factory installed bolts. See **Figures 1-3**.
3. Loosely install Mounting Bracket 'A' Driver Side (**item 3**) onto the front mounting location on the rocker panel using M8 hardware (**items 7, 9, and 10**). See **Figure 2**.
4. Loosely install (2) Mounting Bracket 'B' Driver Side (**item 5**) using M8 hardware (**items 7, 9, and 10**) to the center and rear mounting locations. See **Figure 3**.
5. Repeat **Steps 2-5** on the passenger side of the vehicle.



6. Once all brackets are loosely installed, mount the HDX Drop Steps (**items 1 and 2**) to the brackets using the M8 hardware (**items 8-10**) to install the running board. See **Figures 1 and 4**.
7. Tighten all M8 hardware to 18 ft-lbs.



INSTALLATION COMPLETE



CARE INSTRUCTIONS

- REGULAR WAXING IS RECOMMENDED. DO NOT USE ANY TYPE OF POLISH OR WAX THAT MAY CONTAIN ABRASIVES.
- STAINLESS STEEL PRODUCTS CAN BE CLEANED WITH MILD SOAP AND WATER. STAINLESS STEEL POLISH SHOULD BE USED TO POLISH SMALL SCRATCHES.
- GLOSS BLACK FINISHES SHOULD BE CLEANED WITH MILD SOAP AND WATER.

WESTIN Westin Automotive Products, Inc.
320 W. Covina Blvd
San Dimas, Ca. 91773

Thank you for choosing Westin products
for additional installation assistance please call
Customer Service (800) 793-7846
www.westinautomotive.com



WARNING



Failure to follow these instructions could lead to death, personal injury, and / or property damage.

Failure to follow these instructions could lead to death, personal injury, and / or property damage.

FASTENERS:

All Westin supplied fasteners must be utilized and installed in accordance with the installation instructions and apply torque to the specifications as defined. **DOUBLE CHECK ALL FASTENERS BEFORE INITIAL USE, AND PERIODICALLY IN THE FUTURE TO ENSURE PROPER FUNCTION AND SAFETY.**

DRILLING:

Most Westin products do not require drilling for installation. If drilling is defined as required, use caution when drilling a vehicle. **FAILURE TO REVIEW AN AREA TO BE DRILLED MAY RESULT IN PERSONAL INJURY AND/OR INJURY TO OTHERS AS WELL AS VEHICLE DAMAGE.**

EYE PROTECTION:

ALWAYS WEAR SAFETY GLASSES OR GOGGLES DURING THE INSTALLATION PROCESS TO AVOID PERSONAL INJURY.

MAXIMUM TOWING/CARRYING CAPACITY: (if applicable)

The Westin Receiver Hitches will have a visible tow rating label affixed directly on the product. User should never exceed the vehicle manufacturers maximum tow and weight rating regardless of the capacity of the hitch. **FAILURE TO FOLLOW THESE GUIDELINES WILL VOID THE WESTIN WARRANTY AND MAY RESULT IN PERSONAL INJURY AND/OR INJURY TO OTHERS AS WELL AS VEHICLE DAMAGE.**

FOR CALIFORNIA RESIDENTS ONLY-PROP 65 WARNING:

Some products may contain chemicals such as DEHP, which can cause cancer, birth defects or other reproductive harm. For more info go to www.p65warnings.ca.gov



Westin Automotive Products, Inc.
320 W. Covina Blvd
San Dimas, Ca. 91773

Thank you for choosing Westin products
for additional installation assistance please call
Customer Service (800) 793-7846
www.westinautomotive.com