

APPLICATION:

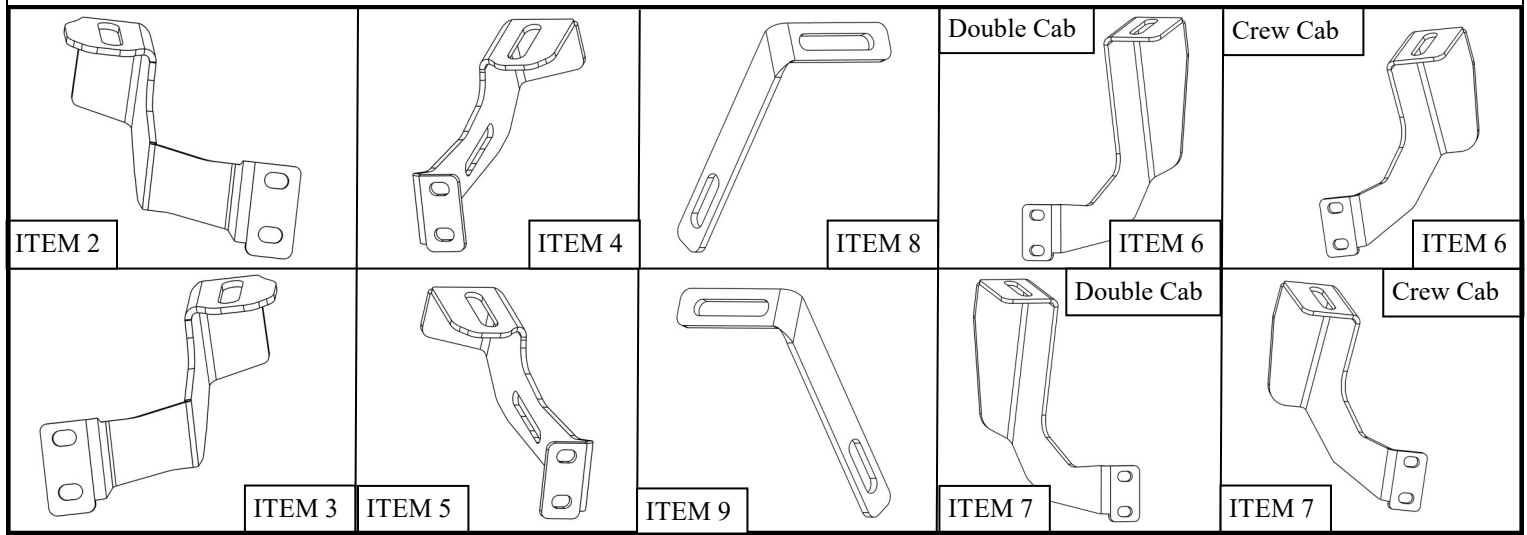
Chevrolet/GMC - Silverado/Sierra 1500 Crew Cab 2004-2013; 25/3500 2001-2019 (Body Mount),
 Chevrolet/GMC - Silverado/Sierra 1500 Ext Cab 1999-2013; Ext/Double Cab 2001-2019 (Body Mount)

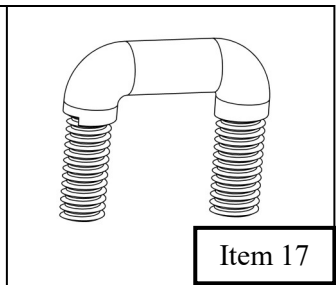
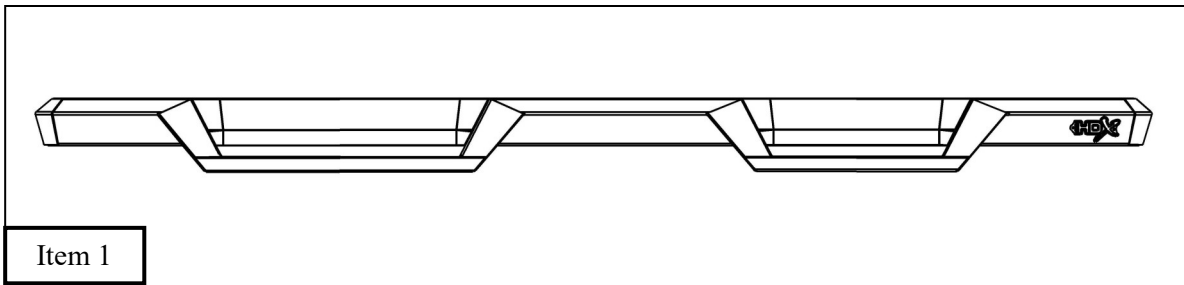
PART NUMBER:

56-11685, 56-116852, 56-11955, 56-119552

| ITEM | QUANTITY | DESCRIPTION | TOOLS NEEDED |
|------|----------|-------------------------------------|---------------|
| 1 | 2 | STEP BAR ASSEMBLY | 13MM SOCKET |
| 2 | 1 | DRIVER SIDE FRONT MOUNT BRACKET | 13MM WRENCH |
| 3 | 1 | PASSENGER SIDE FRONT MOUNT BRACKET | 14MM SOCKET |
| 4 | 1 | DRIVER SIDE CENTER MOUNT BRACKET | 14MM WRENCH |
| 5 | 1 | PASSENGER SIDE CENTER MOUNT BRACKET | 15MM SOCKET |
| 6 | 1 | DRIVER SIDE REAR MOUNT BRACKET | 15MM WRENCH |
| 7 | 1 | PASSENGER SIDE REAR MOUNT BRACKET | RATCHET |
| 8 | 1 | DRIVER SIDE CENTER SUPPORT BRACKET | TORQUE WRENCH |
| 9 | 1 | PASSENGER SIDE CENTER MOUNT BRACKET | |
| 10 | 12 | M8 HEX HEAD BOLT | |
| 11 | 12 | M8 SPLIT LOCK WASHER | |
| 12 | 6 | M10 HEX NUT | |
| 13 | 2 | M10 HEX HEAD BOLT | |
| 14 | 6 | M10 SPLIT LOCK WASHER | |
| 15 | 8 | M10 FLAT WASHER | |
| 16 | 12 | M8 FLAT WASHER | |
| 17 | 2 | M10 U BOLT | |

ANTI-SEIZE LUBRICANT MUST BE USED ON ALL STAINLESS STEEL FASTENERS TO PREVENT THREAD DAMAGE AND GALLING



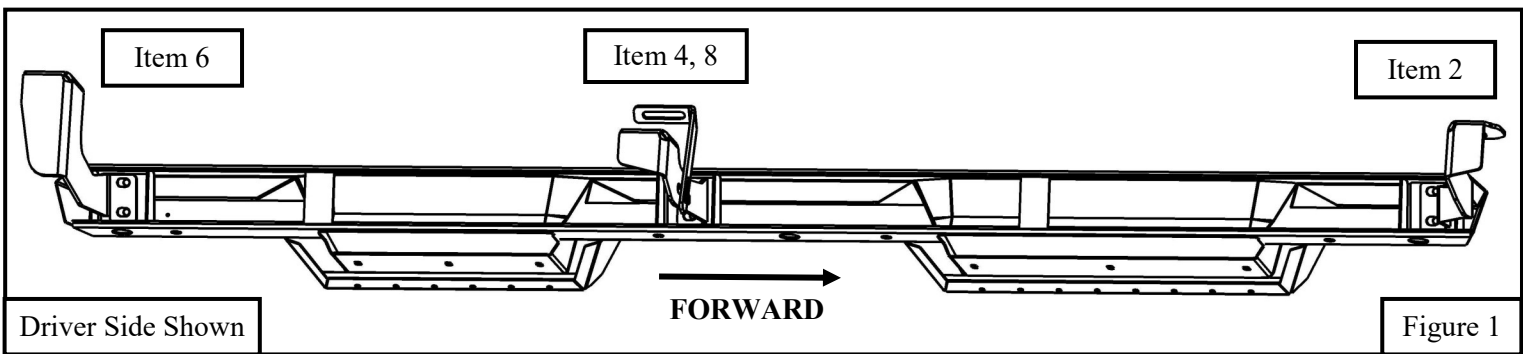


Item 1

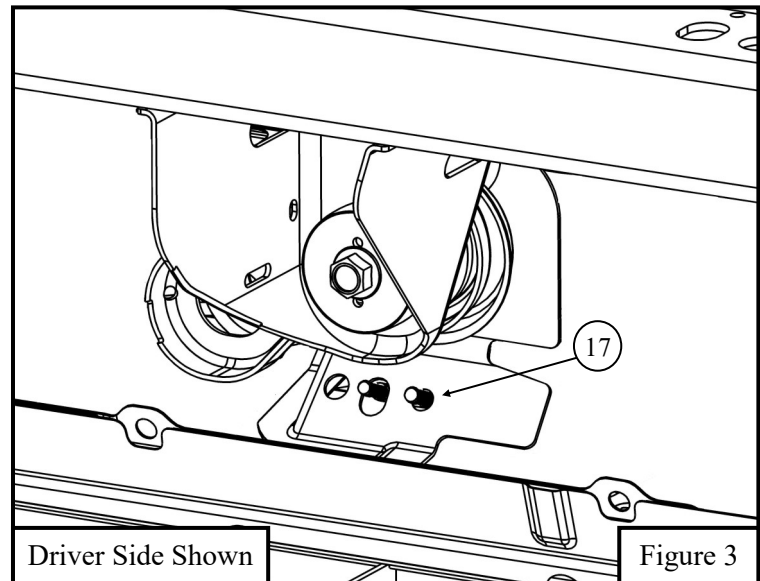
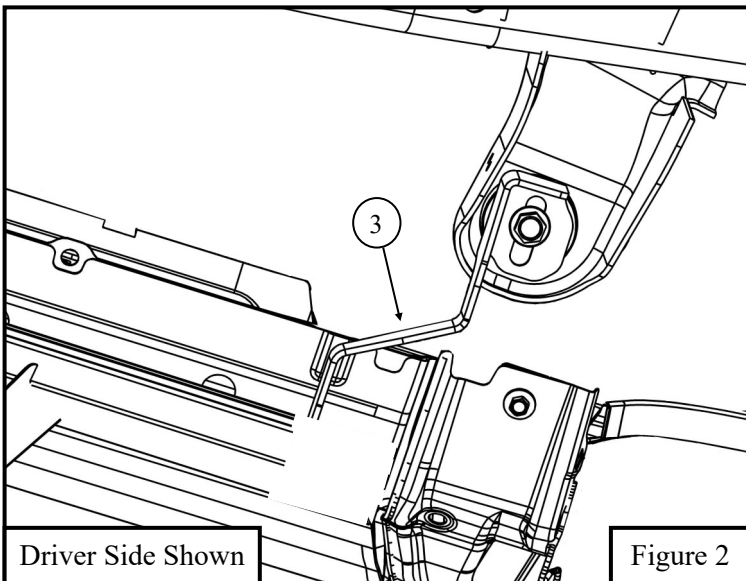
Item 17

PROCEDURE

1. Remove contents from box, verify if all parts listed are present and free from damage. Carefully read and understand all instructions before attempting installation.
Failure to identify damage before installation could lead to a rejection of any claim.



2. Start at the front driver side of the vehicle and remove the factory bolt from the puck mount on the frame. Grab the front driver side mount bracket and install loosely with previously removed factory bolt.. See **Figure 2**.
3. Move to the center mount position and insert the supplied U bolt. See **Figure 3**.



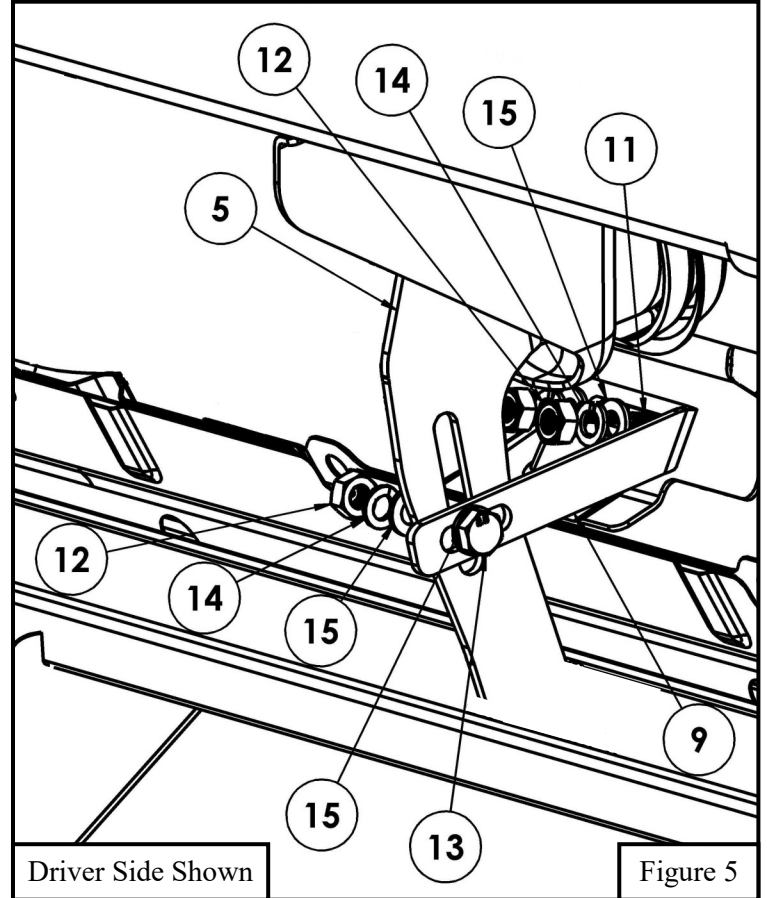
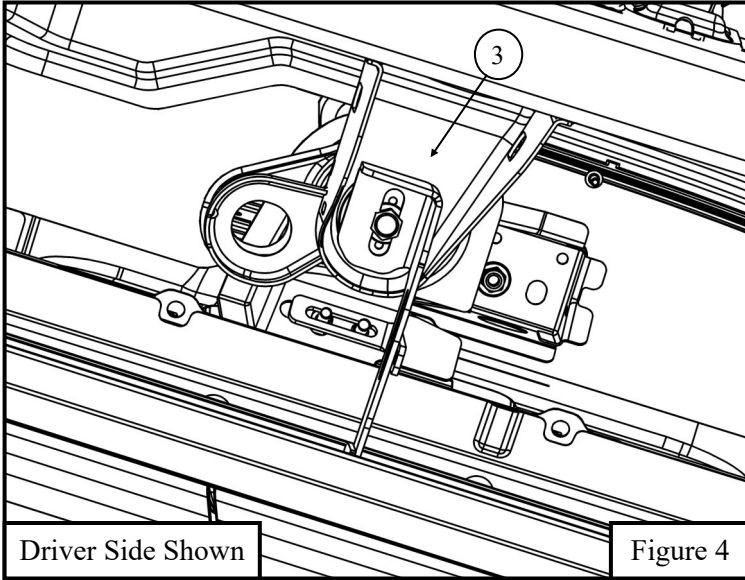
Driver Side Shown

Figure 2

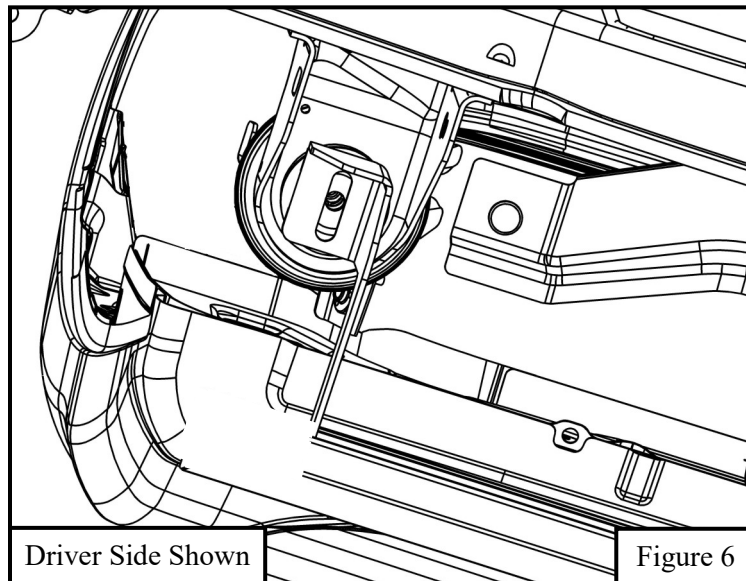
Driver Side Shown

Figure 3

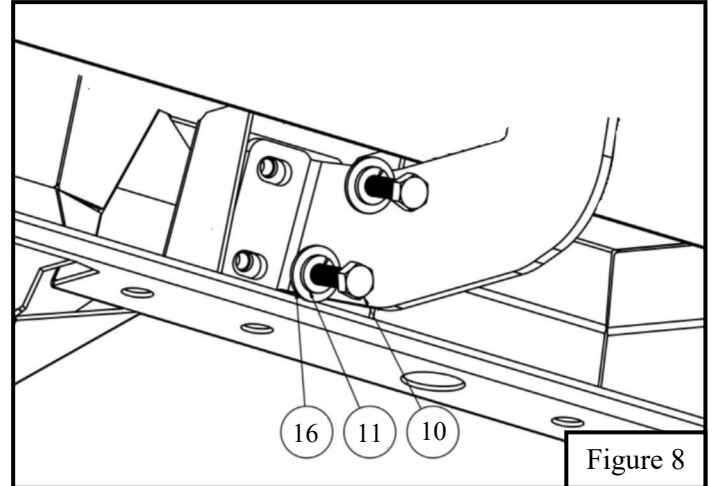
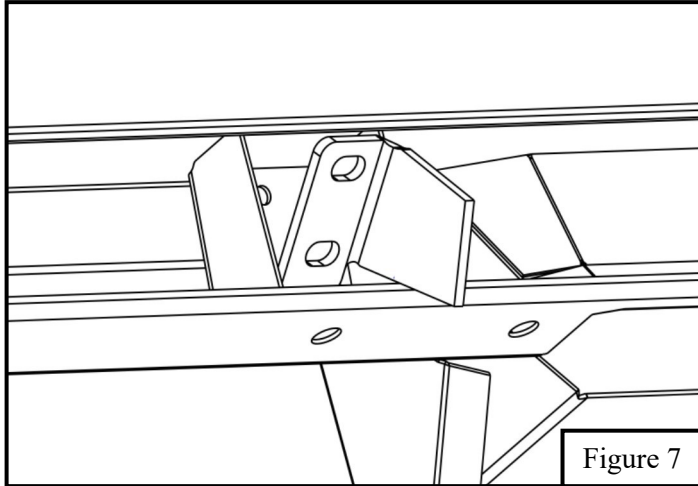
4. Move on to the center body puck mount on the driver side. Install the center bracket with the factory bolt loosely. See **Figure 4**.
5. Loosely install the center mount bracket with the support bracket using the supplied M10 hardware See **Figure 5**.



6. Move on the rear body puck mount and install the rear mount bracket with the factory bolt loosely. Crew Cab shown. See **Figure 6**. Double Cab installation similar.



7. Before installing board to the previously installed brackets tilt backwards for easy entry into mount location. See **Figure 7**
8. Loosely Install step bars respectively to either side using the M8 hardware provided with the step bars. See **Figure 8**
9. Repeat Steps 1-8 for the passenger side.
10. Align and adjust the step bars as needed and fully tighten all hardware. Torque all M8 fasteners to 15-18 ft-lbs and M10 fasteners to 30-32 ft-lbs.



INSTALLATION COMPLETE



Care Instructions

- REGULAR WAXING IS RECOMMENDED. DO NOT USE ANY TYPE OF POLISH OR WAX THAT MAY CONTAIN ABRASIVES.
- STAINLESS STEEL PRODUCTS CAN BE CLEANED WITH MILD SOAP AND WATER. STAINLESS STEEL POLISH SHOULD BE USED TO POLISH SMALL SCRATCHES.
- GLOSS BLACK FINISHES SHOULD BE CLEANED WITH MILD SOAP AND WATER.

WESTIN Westin Automotive Products, Inc.
320 W. Covina Blvd
San Dimas, Ca. 91773

Thank you for choosing Westin products
for additional installation assistance please call
Customer Service (800) 793-7846

www.westinautomotive.com



WARNING



Failure to follow these instructions could lead to death, personal injury, and / or property damage.

Failure to follow these instructions could lead to death, personal injury, and / or property damage.

FASTENERS:

All Westin supplied fasteners must be utilized and installed in accordance with the installation instructions and apply torque to the specifications as defined. **DOUBLE CHECK ALL FASTENERS BEFORE INITIAL USE, AND PERIODICALLY IN THE FUTURE TO ENSURE PROPER FUNCTION AND SAFETY.**

DRILLING:

Most Westin products do not require drilling for installation. If drilling is defined as required, use caution when drilling a vehicle. **FAILURE TO REVIEW AN AREA TO BE DRILLED MAY RESULT IN PERSONAL INJURY AND/OR INJURY TO OTHERS AS WELL AS VEHICLE DAMAGE.**

EYE PROTECTION:

ALWAYS WEAR SAFETY GLASSES OR GOGGLES DURING THE INSTALLATION PROCESS TO AVOID PERSONAL INJURY.

MAXIMUM TOWING/CARRYING CAPACITY: (if applicable)

The Westin Receiver Hitches will have a visible tow rating label affixed directly on the product. User should never exceed the vehicle manufacturers maximum tow and weight rating regardless of the capacity of the hitch. **FAILURE TO FOLLOW THESE GUIDELINES WILL VOID THE WESTIN WARRANTY AND MAY RESULT IN PERSONAL INJURY AND/OR INJURY TO OTHERS AS WELL AS VEHICLE DAMAGE.**

FOR CALIFORNIA RESIDENTS ONLY-PROP 65 WARNING:

Some products may contain chemicals such as DEHP, which can cause cancer, birth defects or other reproductive harm. For more info go to www.p65warnings.ca.gov



Westin Automotive Products, Inc.
320 W. Covina Blvd
San Dimas, Ca. 91773