



INSTALLATION INSTRUCTIONS

MAX Winch Tray / HDX Grille Guard

APPLICATION:
2023 Ford F250/350 Super Duty
PART NUMBER:
Winch Tray Kit: 46-23905

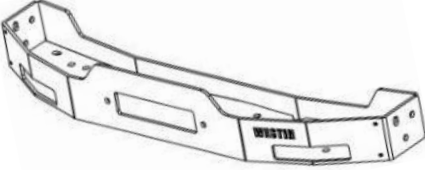
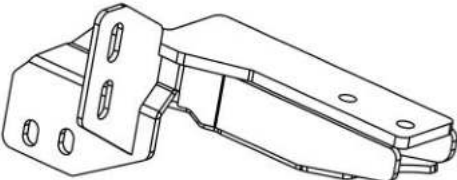
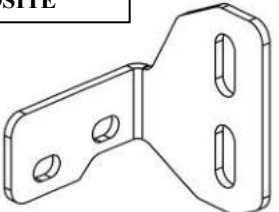
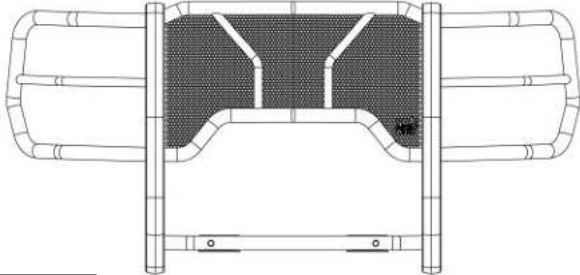
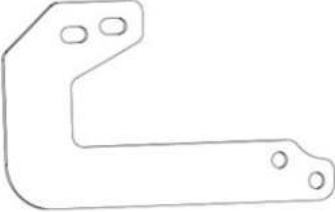
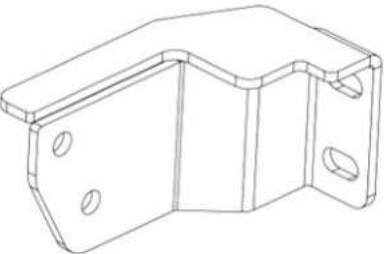
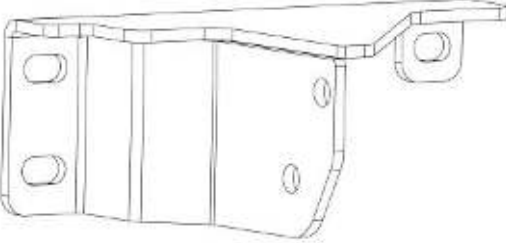
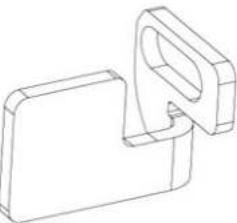
Kit Number: 57-94085
Grille Guard Kit: 57-94085A

ITEM	QUANTITY	DESCRIPTION	TOOLS NEEDED
1	1	WINCH TRAY	TORQUE WRENCH
2	1	DRIVER WINCH TRAY MOUNT BRACKET "A"	10MM WRENCH
3	1	PASSENGER WINCH TRAY MOUNT BRACKET "A"	17MM SOCKET
4	1	DRIVER WINCH TRAY MOUNT BRACKET "B"	19MM SOCKET
5	1	PASSENGER WINCH TRAY MOUNT BRACKET "B"	ALLEN WRENCH
6	12	M12 HEX HEAD CAP SCREW (YELLOW ZINC)	RATCHET
7	20	M12 HEX NUT (YELLOW ZINC)	
8	20	M12 SPLIT LOCK WASHER (YELLOW ZINC)	
9	32	M12 FLAT WASHER (YELLOW ZINC)	
10	4	M10 HEX HEAD CAP SCREW (YELLOW ZINC)	
11	4	M10 SPLIT LOCK WASHER (YELLOW ZINC)	
12	4	M10 FLAT WASHER (YELLOW ZINC)	
13	4	M12 HEX HEAD CAP SCREW (BLACK ZINC)	
14	4	M12 HEX NUT (BLACK ZINC)	
15	4	M12 SPLIT LOCK WASHER (BLACK ZINC)	
16	8	M12 FLAT WASHER (BLACK ZINC)	
INCLUDED WITH GRILLE GUARD			
17	1	GRILLE GUARD ASSEMBLY	
18	2	LOWER SUPPORT BRACKET	
19	1	DRIVER MOUNT BRACKET	
20	1	PASSENGER MOUNT BRACKET	
21	2	SENSOR HARNESS EXTENDER	
22	1	DRIVER SENSOR L-BRACKET	
23	1	PASSENGER SENSOR L-BRACKET	
24	4	M12 HEX HEAD BOLT (YELLOW ZINC)	
25	8	M12 SPLIT LOCK WASHER (YELLOW ZINC)	
26	16	M12 FLAT WASHER (YELLOW ZINC)	
27	8	M12 HEX NUT (YELLOW ZINC)	
28	2	M6 HEX HEAD BOLT (YELLOW ZINC)	
29	2	M6 SPLIT LOCK WASHER (YELLOW ZINC)	

ANTI-SEIZE LUBRICANT MUST BE USED ON ALL STAINLESS STEEL FASTENERS TO PREVENT THREAD DAMAGE AND GALLING

30	2	M6 FLAT WASHER (YELLOW ZINC)	
31	10	M12 BUTTON HEAD BOLT (BLACK ZINC)	
32	10	M12 BELLVILLE WASHER (BLACK ZINC)	
33	10	M12 SERRATED FLANGED HEX NUT (BLACK ZINC)	
34	2	ZIP TIE	
35	2	DOUBLE SIDED TAPE	

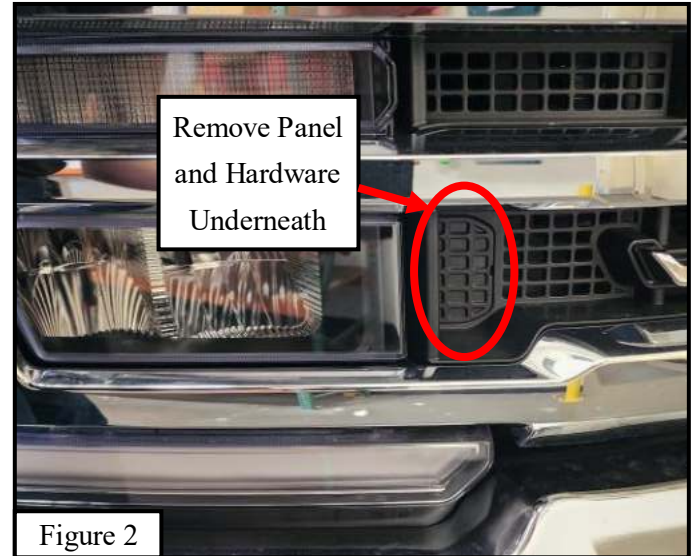
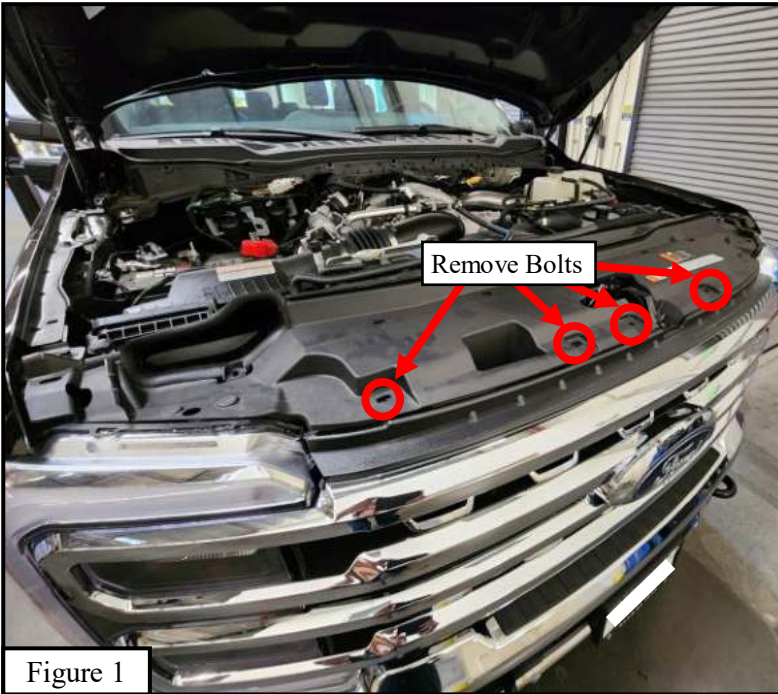
ANTI-SEIZE LUBRICANT MUST BE USED ON ALL STAINLESS STEEL FASTENERS TO PREVENT THREAD DAMAGE AND GALLING

	<p>DRIVER SIDE SHOWN, PASSENGER OPPOSITE</p> 	<p>DRIVER SIDE SHOWN, PASSENGER OPPOSITE</p> 
<p>ITEM 1</p>	<p>ITEM 2</p>	<p>ITEM 4</p>
		
<p>ITEM 17</p>	<p>ITEM 18</p>	<p>ITEM 19</p>
	<p>DRIVER SIDE SHOWN, PASSENGER OPPOSITE</p> 	
<p>ITEM 20</p>	<p>ITEM 22</p>	

Installation instructions max winch tray only. If installing max winch tray and grill guard, skip to page 7.

PROCEDURE

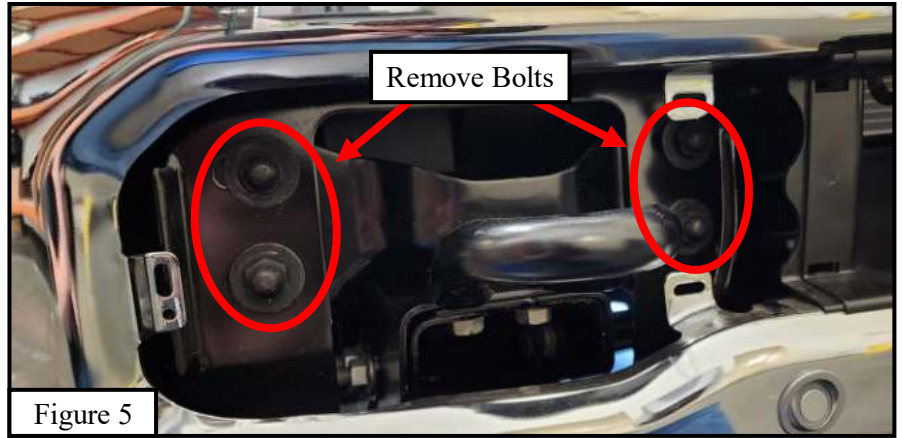
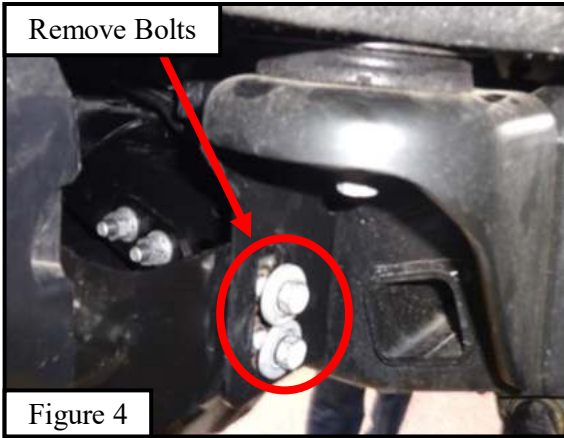
1. Remove contents from box, verify if all parts listed are present and free from damage. Carefully read and understand all instructions before attempting installation.
Failure to identify damage before installation could lead to a rejection of any claim.
2. Open the hood and remove the bolts attaching the top of the grille to the truck. See **Figure 1**.
3. On each side, remove the panel shown in Figure 2 and remove the hardware underneath. See **Figure 2**.
4. Remove the (4) bolts attaching the bottom of the grille to the truck.



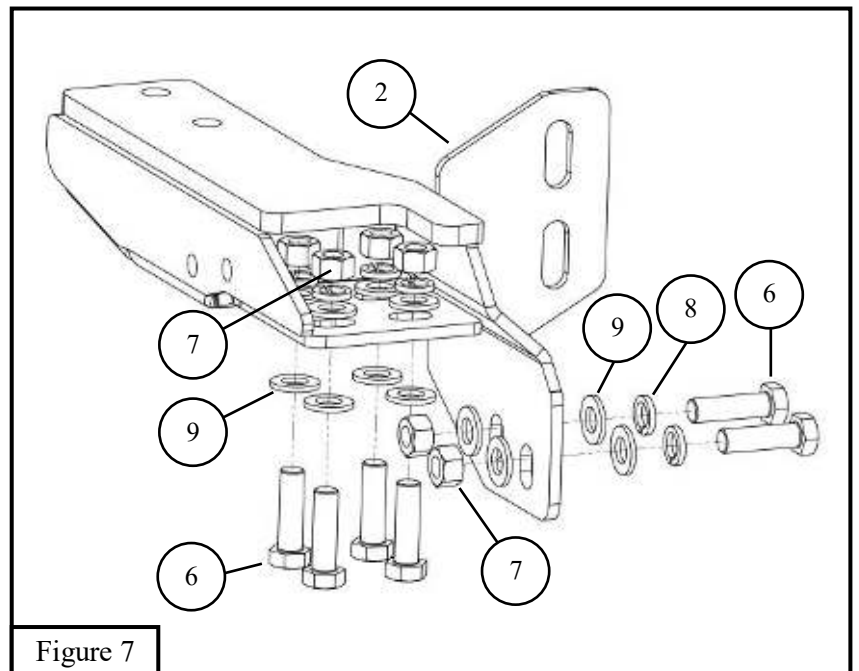
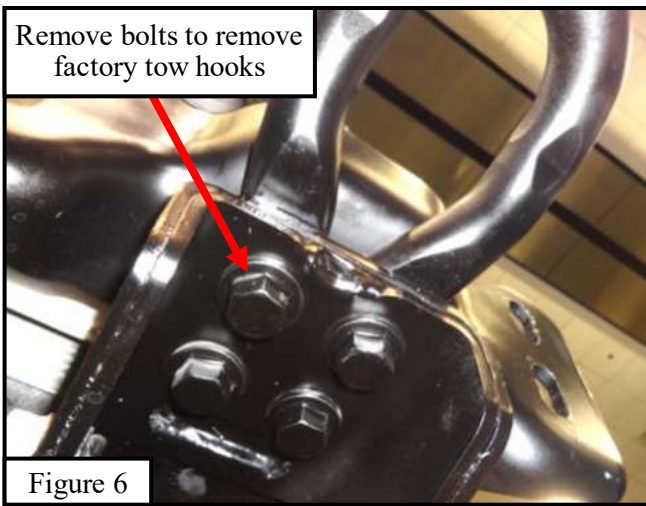
5. Remove the grille from the truck, disconnect any cables or tubes connected to the grille.
6. Remove the plastic panels circled in **Figure 3**.



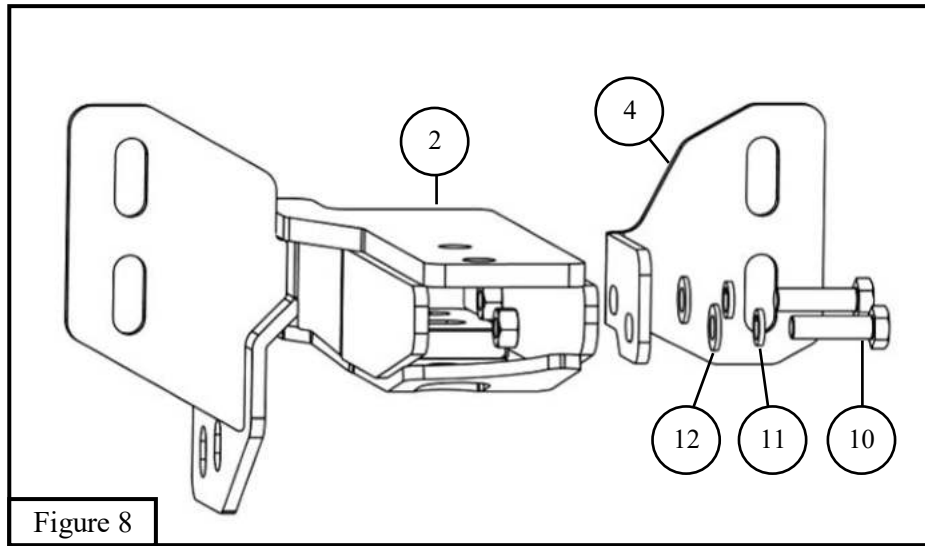
7. On each side, remove (2) bolts attaching the bumper to the body mount. See **Figure 4**.
8. Disconnect all cables from the front bumper.
9. On each side, remove the (4) bolts shown in **Figure 5**.
10. Remove the front bumper.



11. Remove the factory tow hooks. **Note:** Factory tow hooks will not be re-used. See **Figure 6**.
12. Loosely install the driver winch tray mount bracket "A" (**item 2**) where the tow hook was removed using M12 hardware (**items 6-9**). The (4) M12 bolts are installed where the (4) factory bolts were removed in the previous step. See **Figure 7**.



13. Loosely install the driver winch tray mount bracket “B” (**item 4**) onto the driver winch tray mount bracket “A” using the M10 hardware (**items 10-12**). See **Figure 8**.
14. Repeat **Steps 12 and 13** on the passenger side of the truck.
15. Reinstall the bumper. Attach the bumper to the winch tray mount brackets using the factory bolts and M12 hardware (**items 7-9**).



16. Trim the bumper panels. See **Figure 9**.
17. Reinstall the trimmed bumper panels.
18. Reinstall the grille.



19. Install the winch tray (**item 1**) onto the winch tray brackets using the M12 hardware (**items 13-16**). See **Figure 10**.
20. Adjust the brackets and grille guard as needed. Tighten hardware to the following specifications: M12 to 50-55 ft-lbs, M10 to 30-35 ft-lbs.
21. Install the winch in the winch tray.

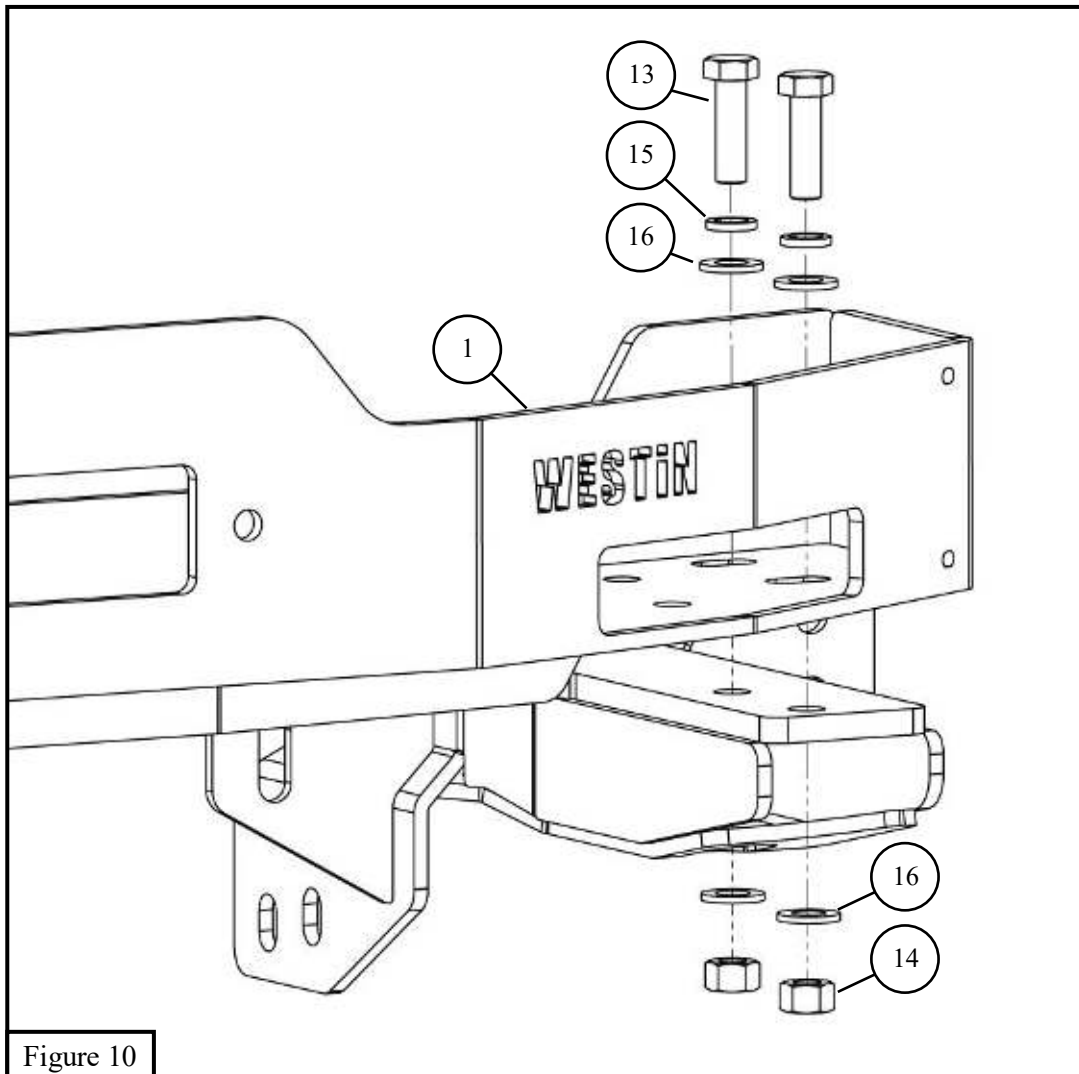


Figure 10

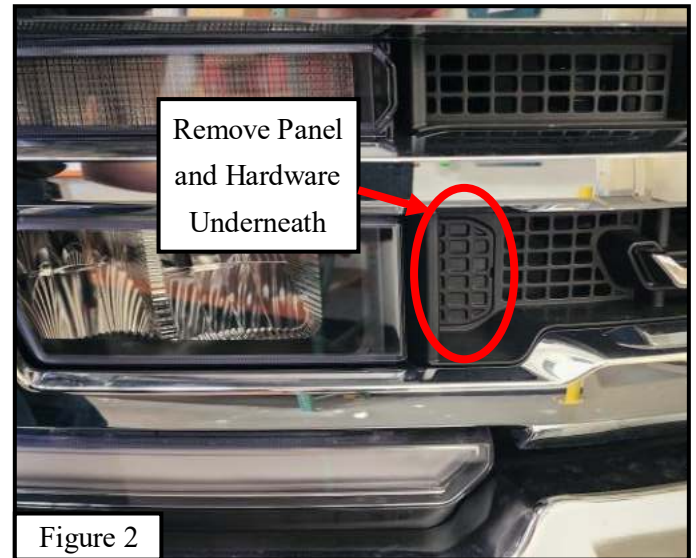
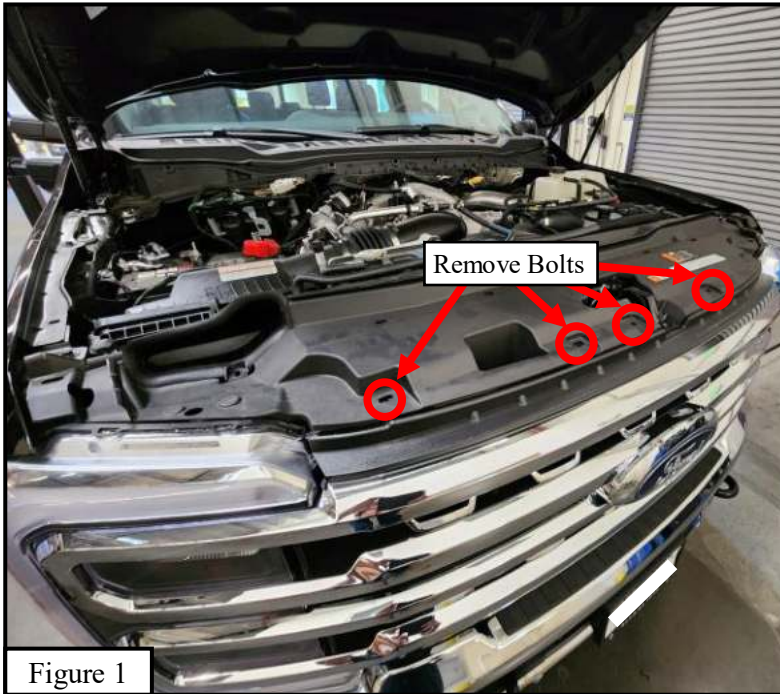


Westin Automotive Products, Inc.
320 W. Covina Blvd
San Dimas, Ca. 91773

Installation instructions for grille guard and max winch tray.

PROCEDURE

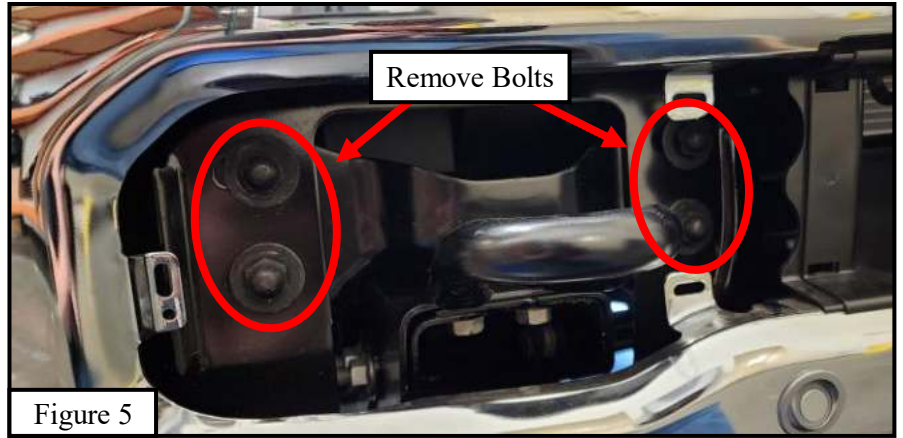
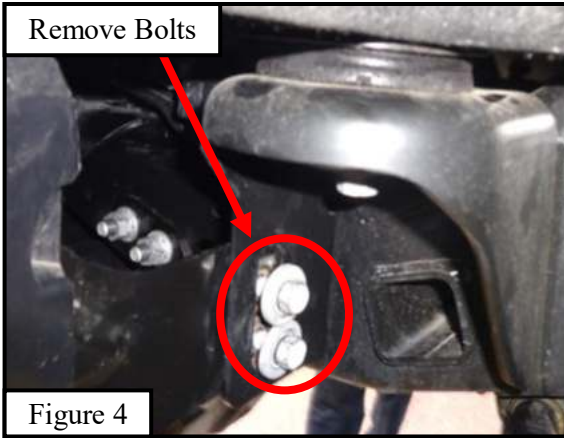
1. Remove contents from box, verify if all parts listed are present and free from damage.
Carefully read and understand all instructions before attempting installation.
Failure to identify damage before installation could lead to a rejection of any claim.
2. Open the hood and remove the bolts attaching the top of the grille to the truck. See **Figure 1**.
3. On each side, remove the panel shown in Figure 2 and remove the hardware underneath. See **Figure 2**.
4. Remove the (4) bolts attaching the bottom of the grille to the truck.



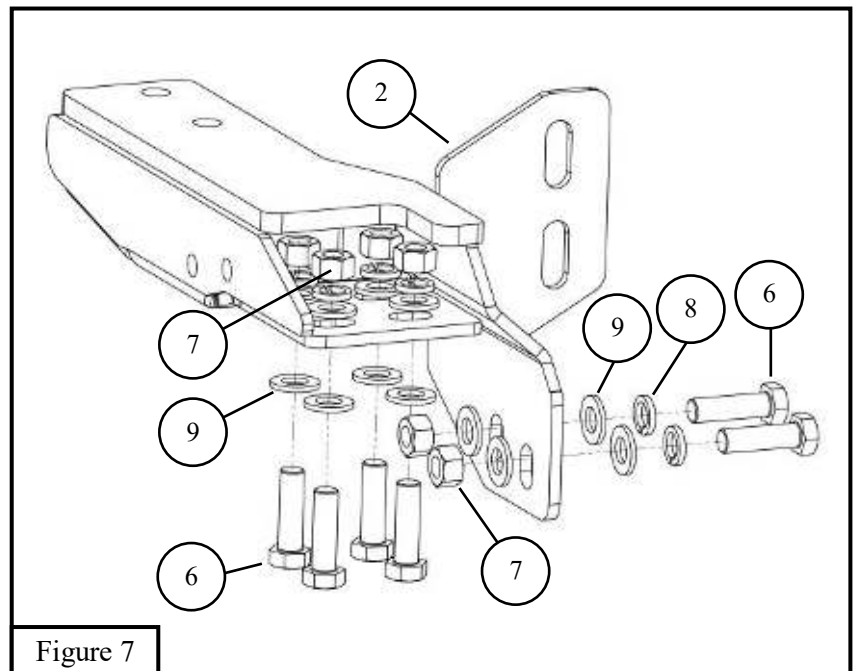
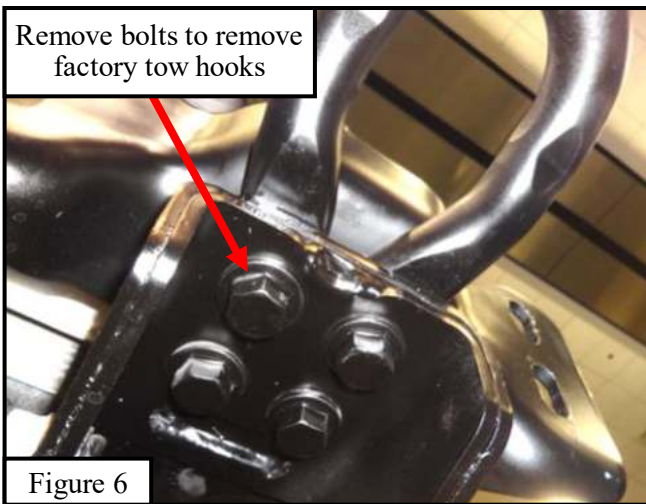
5. Remove the grille from the truck, disconnect any cables or tubes connected to the grille.
6. Remove the plastic panels circled in **Figure 3**.



7. On each side, remove (2) bolts attaching the bumper to the body mount. See **Figure 4**.
8. Disconnect all cables from the front bumper.
9. On each side, remove the (4) bolts shown in **Figure 5**.
10. Remove the front bumper.



11. Remove the factory tow hooks. **Note:** Factory tow hooks will not be re-used. See **Figure 6**.
12. Loosely install the driver winch tray mount bracket "A" (**item 2**) where the tow hook was removed using M12 hardware (**items 6-9**). The (4) M12 bolts are installed where the (4) factory bolts were removed in the previous step. See **Figure 7**.



13. Loosely install the driver winch tray mount bracket “B” (**item 4**) onto the driver winch tray mount bracket “A” using the M10 hardware (**items 10-12**). See **Figure 8**.
14. Repeat **Steps 12 and 13** on the passenger side of the truck.
15. Reinstall the bumper. Attach the bumper to the winch tray mount brackets using the factory bolts and M12 hardware (**items 7-9**).

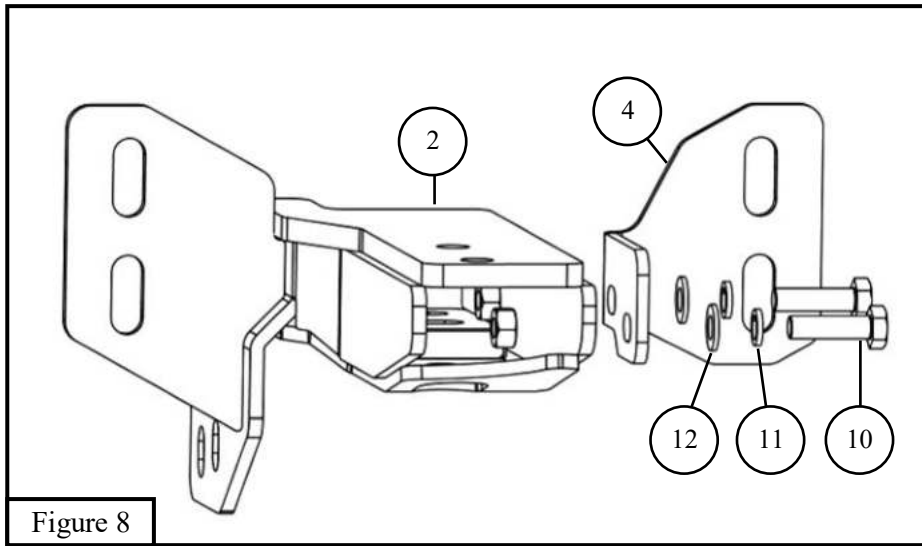


Figure 8

16. On each side of the truck, remove the factory bracket and hardware shown in **Figure 9**.
17. On each side of the truck, loosely install (1) lower support bracket (**item 18**) on the outside of the frame where the factory hardware was removed in the previous step. See **Figure 10**. Trim the bumper valence as needed to install the lower support bracket.

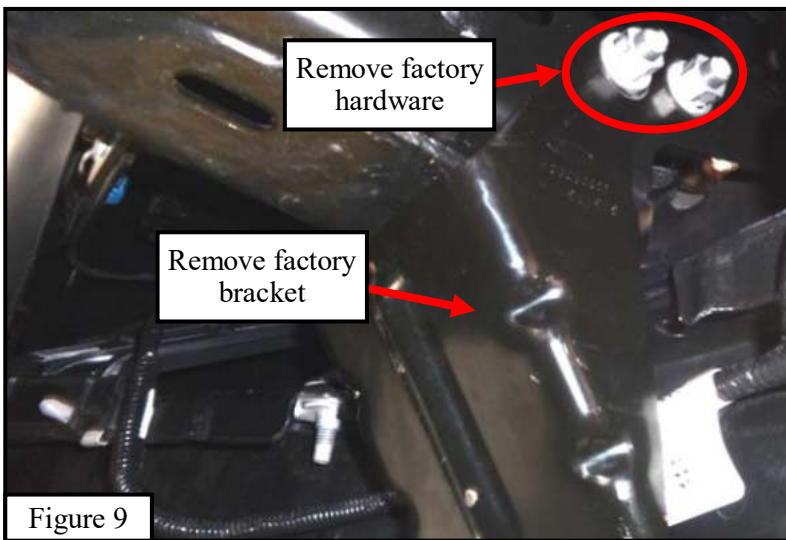


Figure 9

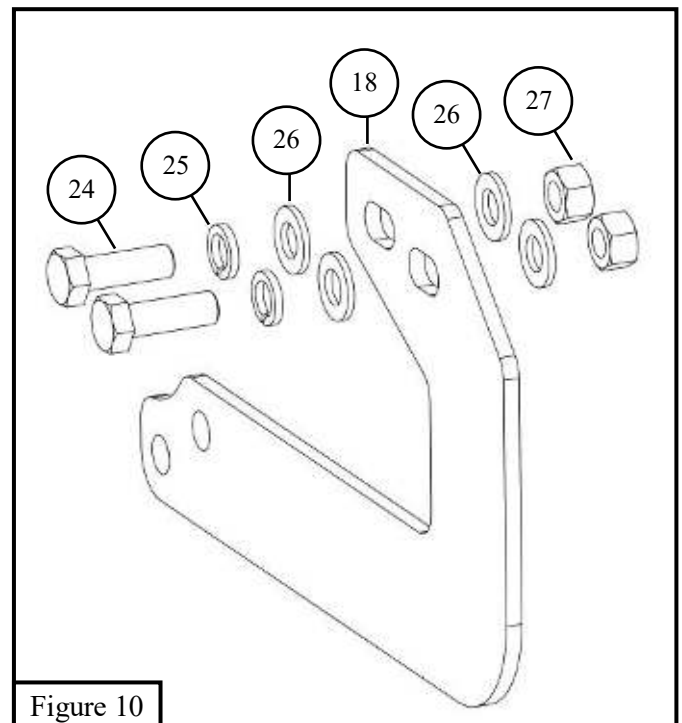
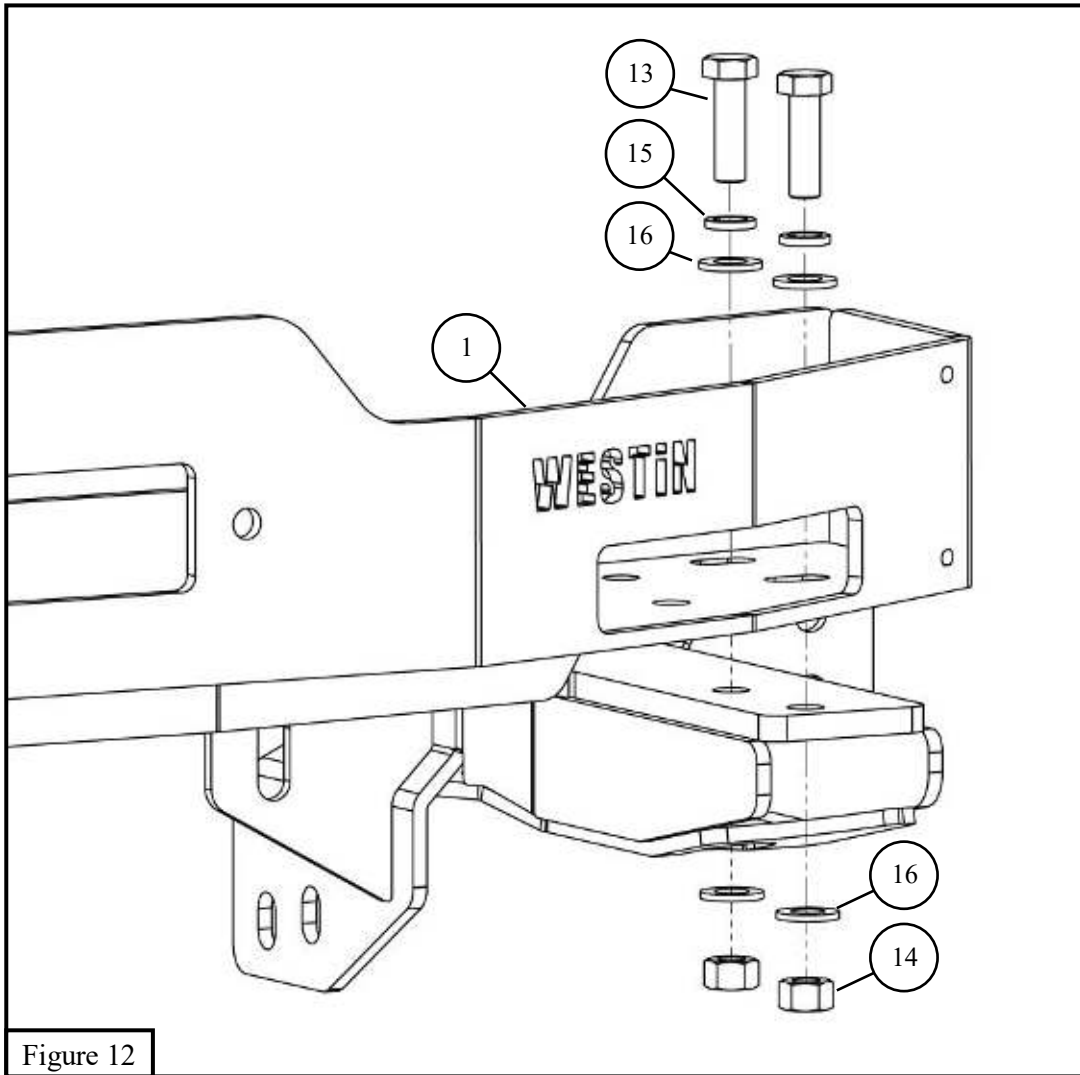


Figure 10

18. Trim the bumper panels. See **Figure 11**.
19. Reinstall the trimmed bumper panels.
20. Reinstall the grille.



21. Install the winch tray (**item 1**) onto the winch tray brackets using the M12 hardware (**items 13-16**). See **Figure 12**.
22. Install the winch in the winch tray.



Westin Automotive Products, Inc.
320 W. Covina Blvd
San Dimas, Ca. 91773

If front parking sensors aren't equipped, skip to step 28.

23. Remove the (2) center parking sensors from the front bumper.
24. Remove the cover panels and rubber hole plugs from the grille guard lower tube. See **Figure 13**.
25. Insert (1) sensor harness extender (**item 21**) into the lower grille guard tube. Place one end of the harness extender in the space behind the cover panel. See **Figure 13**.
26. Place (1) piece of double sided tape (**item 35**) on the back of each parking sensor.
27. Install the parking sensors using the M6 hardware (**items 28-30**) and the sensor L-brackets (**items 22-23**). See **Figure 14**.

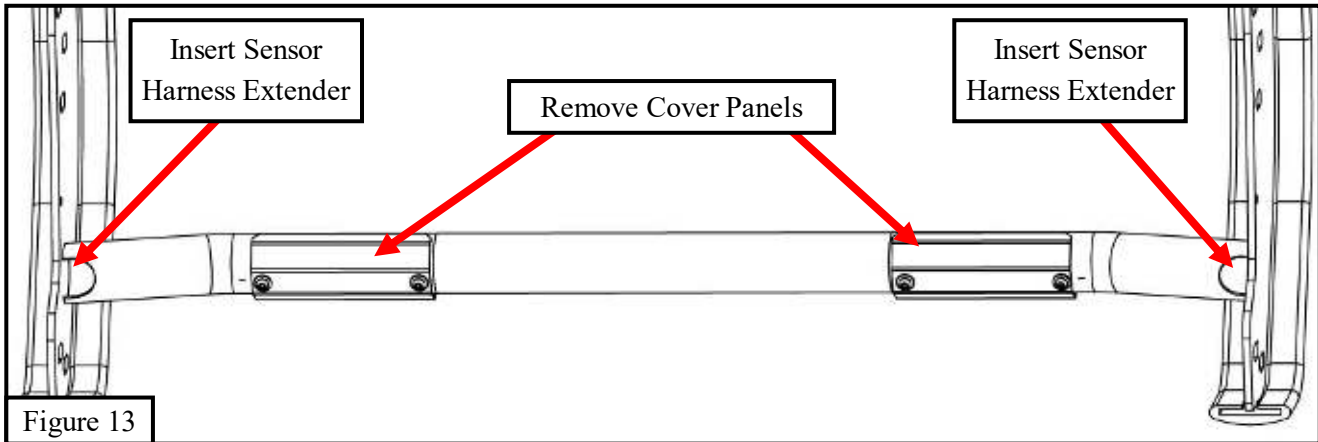


Figure 13

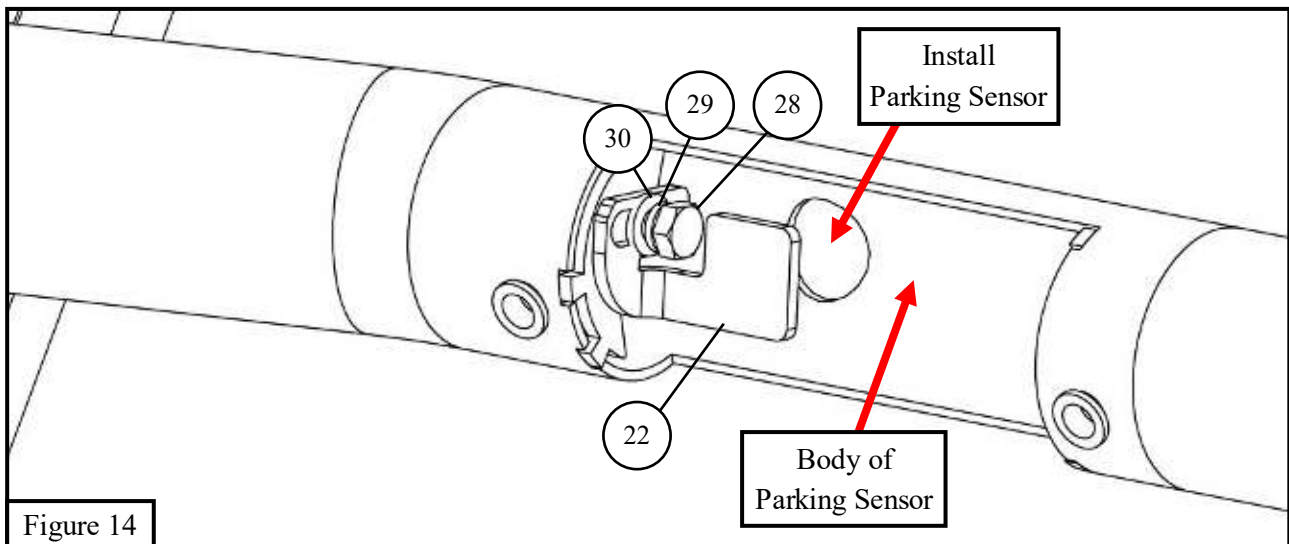


Figure 14

28. Loosely install the grille guard assembly (**item 17**) onto the winch tray and brackets using the black M12 hardware (**items 31-33**). See **Figure 15**.
29. Adjust the brackets and grille guard as needed. Tighten hardware to the following specifications: M12 to 50-55 ft-lbs, M10 to 30-35 ft-lbs, M6 to 5-7 ft-lbs.
30. Connect the sensor harness extenders to the parking sensors and bumper sensor harness.
31. Reinstall the cover panels.
32. Place the rubber hole plugs into the empty sensor holes in the bumper.
33. Use the zip ties (**item 34**) to hold the sensor harness extenders in place.

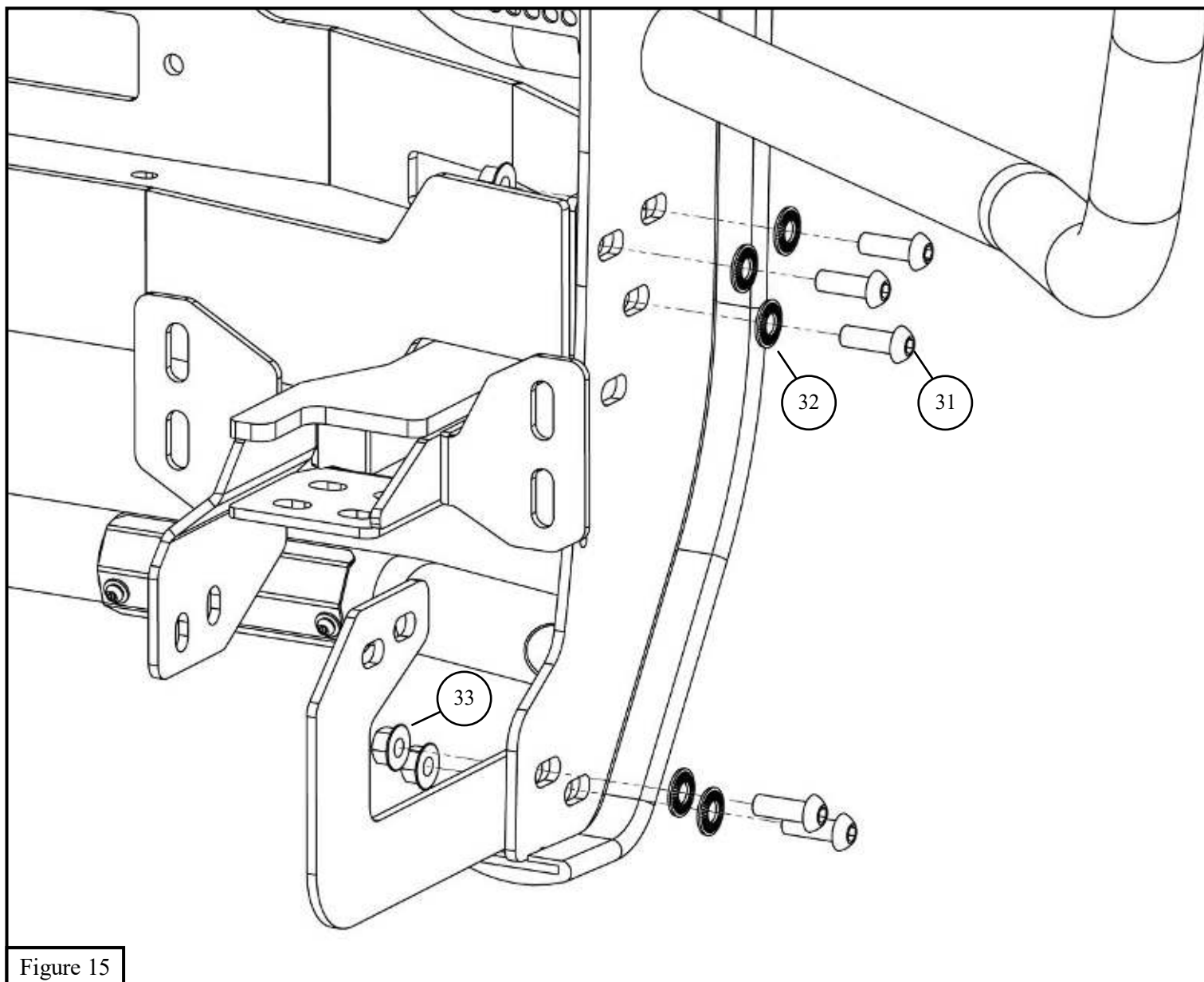


Figure 15



WARNING



Failure to follow these instructions could lead to death, personal injury, and / or property damage.

Failure to follow these instructions could lead to death, personal injury, and / or property damage.

FASTENERS:

All Westin supplied fasteners must be utilized and installed in accordance with the installation instructions and apply torque to the specifications as defined. **DOUBLE CHECK ALL FASTENERS BEFORE INITIAL USE, AND PERIODICALLY IN THE FUTURE TO ENSURE PROPER FUNCTION AND SAFETY.**

DRILLING:

Most Westin products do not require drilling for installation. If drilling is defined as required, use caution when drilling a vehicle. **FAILURE TO REVIEW AN AREA TO BE DRILLED MAY RESULT IN PERSONAL INJURY AND/OR INJURY TO OTHERS AS WELL AS VEHICLE DAMAGE.**

EYE PROTECTION:

ALWAYS WEAR SAFETY GLASSES OR GOGGLES DURING THE INSTALLATION PROCESS TO AVOID PERSONAL INJURY.

MAXIMUM TOWING/CARRYING CAPACITY: (if applicable)

The Westin Receiver Hitches will have a visible tow rating label affixed directly on the product. User should never exceed the vehicle manufacturers maximum tow and weight rating regardless of the capacity of the hitch. **FAILURE TO FOLLOW THESE GUIDELINES WILL VOID THE WESTIN WARRANTY AND MAY RESULT IN PERSONAL INJURY AND/OR INJURY TO OTHERS AS WELL AS VEHICLE DAMAGE.**

FOR CALIFORNIA RESIDENTS ONLY-PROP 65 WARNING:

Some products may contain chemicals such as DEHP, which can cause cancer, birth defects or other reproductive harm. For more info go to www.p65warnings.ca.gov



Westin Automotive Products, Inc.
320 W. Covina Blvd
San Dimas, Ca. 91773