



INSTALLATION INSTRUCTIONS

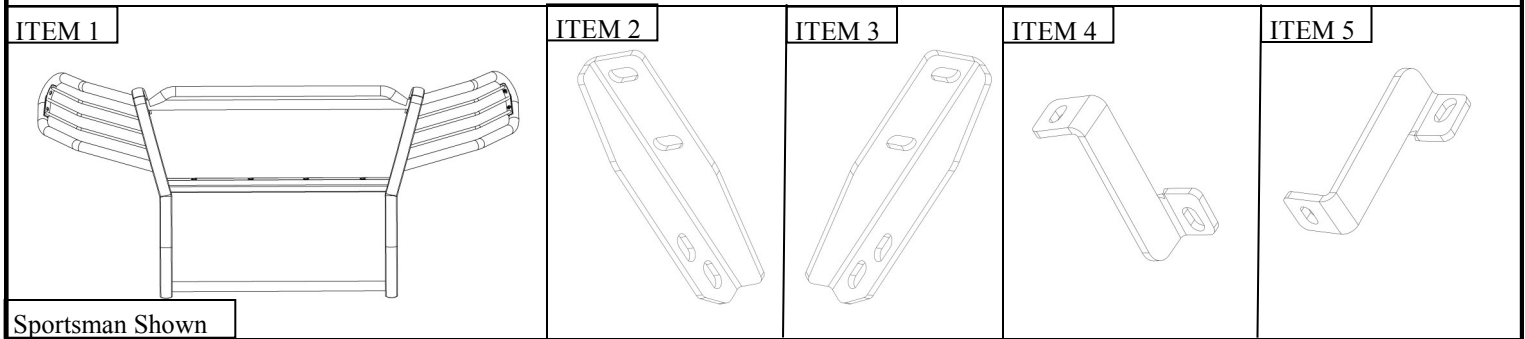
HDX & SPORTSMAN GRILLE GUARD

APPLICATION:
2019 Ford Ranger
PART NUMBER:
57-3985, 40-3985

CONTENT			
ITEM	QUANTITY	DESCRIPTION	TOOLS NEEDED
1	1	GRILLE GUARD	10MM SOCKET
2	1	LOWER DRIVER MOUNTING BRACKET	RATCHET
3	1	LOWER PASSENGER MOUNTING BRACKET	TORQUE WRENCH
4	1	TOP DRIVER MOUNTING BRACKET	ALLEN
5	1	TOP PASSENGER MOUNTING BRACKET	13MM SOCKET
6	1	M6 SERATED FLANGE HEX NUT (YELLOW ZINC)*	17MM SOCKET
7	2	M8 HEX HEAD BOLT (YELLOW ZINC)	19MM SOCKET
8	2	M8 SPLIT LOCK WASHER (YELLOW ZINC)	
9	4	M12 HEX HEAD CAP SCREW (YELLOW ZINC)	
10	4	M12 SPLIT LOCK WASHER (YELLOW ZINC)	
11	4	M12 FLAT WASHER (YELLOW ZINC)*	
12	1	M6 BUTTON HEAD BOLT (BLACK)*	
13	1	M6 FLAT WASHER (BLACK)	
14	2	M10 BUTTON HEAD BOLT (BLACK)	
15	2	M10 SERRATED BELLVILLE WASHER (BLACK)	
16	2	M10 SERRATED FLANGE NUT (BLACK)	
17	4	M12 BUTTON HEAD BOLT (BLACK)	
18	4	M12 SERRATED BELLVILLE WASHER (BLACK)	
19	4	M12 SERRATED FLANGE NUT (BLACK)	
20	2	M12 NUT PLATE	
21	2	M8 FLAT WASHER (YELLOW ZINC)	
22	2	M6 LOCK WASHER (BLACK)*	

ANTI-SEIZE LUBRICANT MUST BE USED ON ALL STAINLESS STEEL FASTENERS TO PREVENT THREAD DAMAGE AND GALLING

* These parts belong to the license plate relocation kit (sold separately). Part number **32-0055**



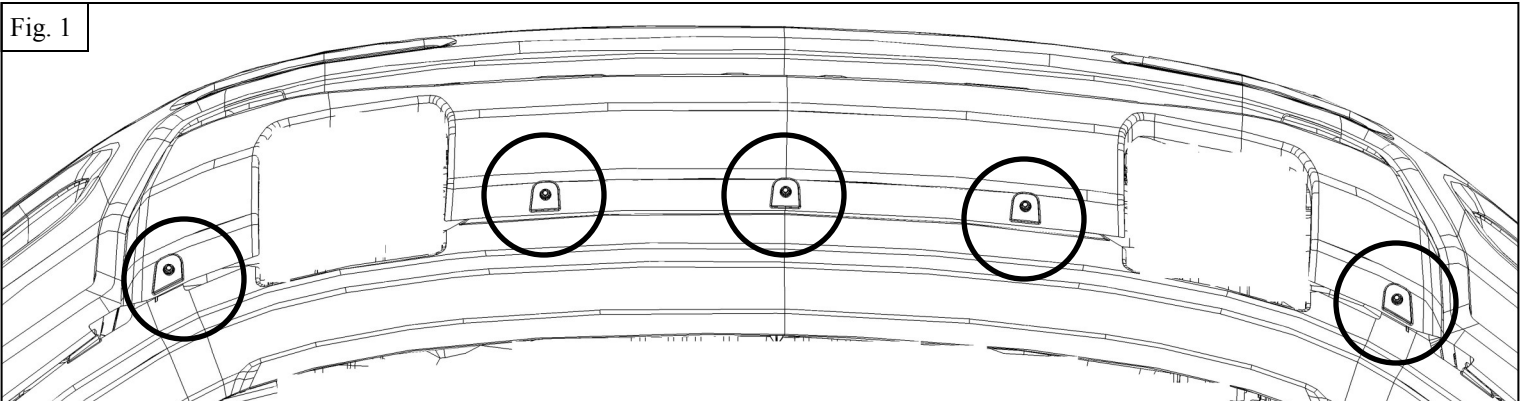
WESTIN Westin Automotive Products, Inc.
320 W. Covina Blvd
San Dimas, Ca. 91773

Thank you for choosing Westin products
for additional installation assistance please call
Customer Service (800) 793-7846

PROCEDURE

1. Remove contents from box, verify if all parts listed are present and free from damage.
Carefully read and understand all instructions before attempting installation.
Failure to identify damage before installation could lead to a rejection of any claim.

2. Remove the five lower clips found under the front end of the bumper. See **Figure 1**
3. Carefully remove the front bumper cover by pulling from the bottom up. See **Figure 2**



4. With the now exposed bumper plate, unbolt the bumper. See **Figure 3**
5. Unplug any connections to the bumper. See **Figure 4**
6. Remove the bumper.

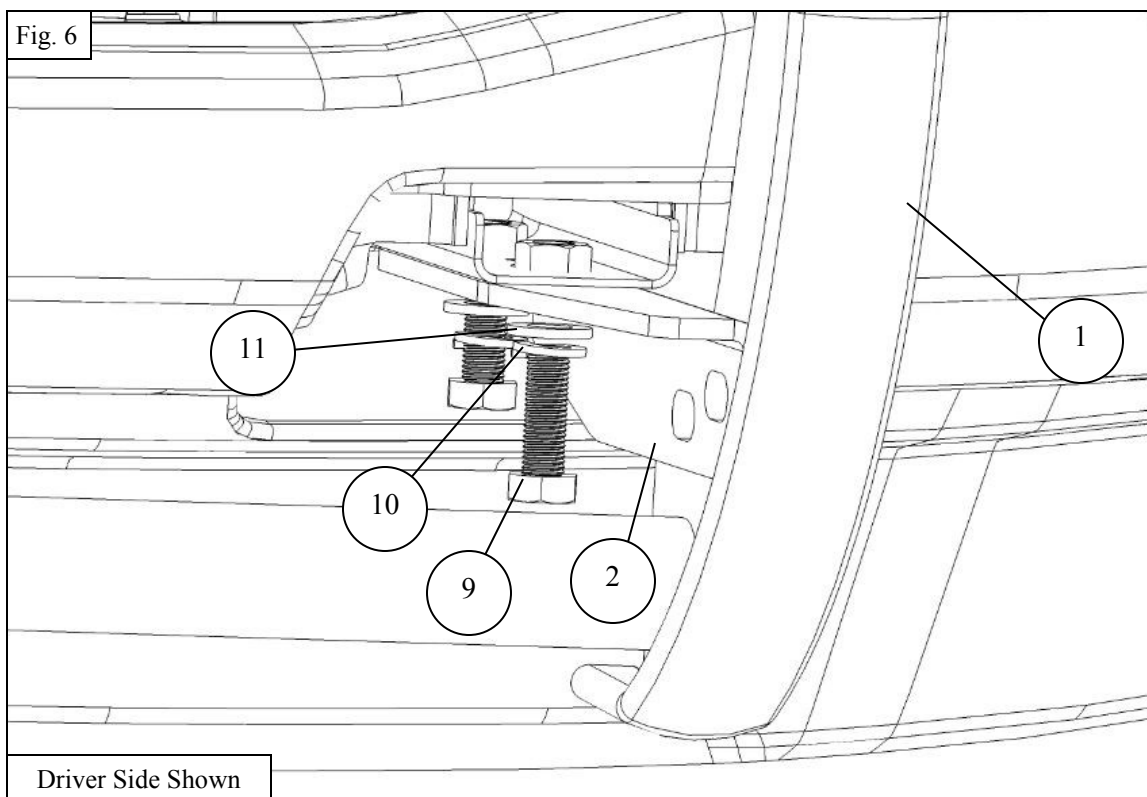
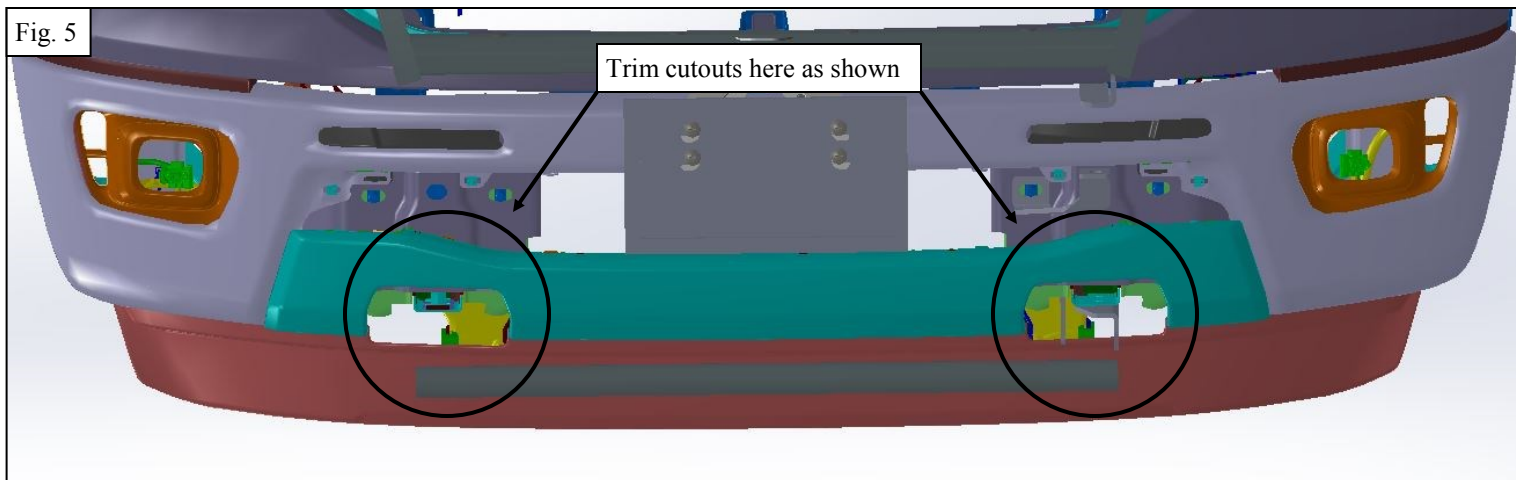
Fig. 3



Fig. 4



7. If equipped, remove the factory tow hooks. *Note: Factory Tow hooks will not be reused.*
8. If tow hooks are equipped, remove tow hooks. Then loosely install the lower mounting brackets (2, 3) using the supplied M12 hardware.
- If tow hooks are not equipped, follow these instructions:
 - A. Using a cutting tool, cut out the tow hook cover panels. **See Figure 5**
 - B. Use the supplied nut plate (Item 20) and supplied M12 hardware to install the lower brackets. **See Figure 6.**



9. Loosely Install the upper mounting brackets onto the indicated locations on the bumper using the supplied M8 hardware.

See Figure 7

- A. Measure the distance between the upper brackets. Make sure it is 33 1/2 inches.
- B. Torque the M8 bolts to 18 ft lbs.
- C. Re-install the factory bumper.

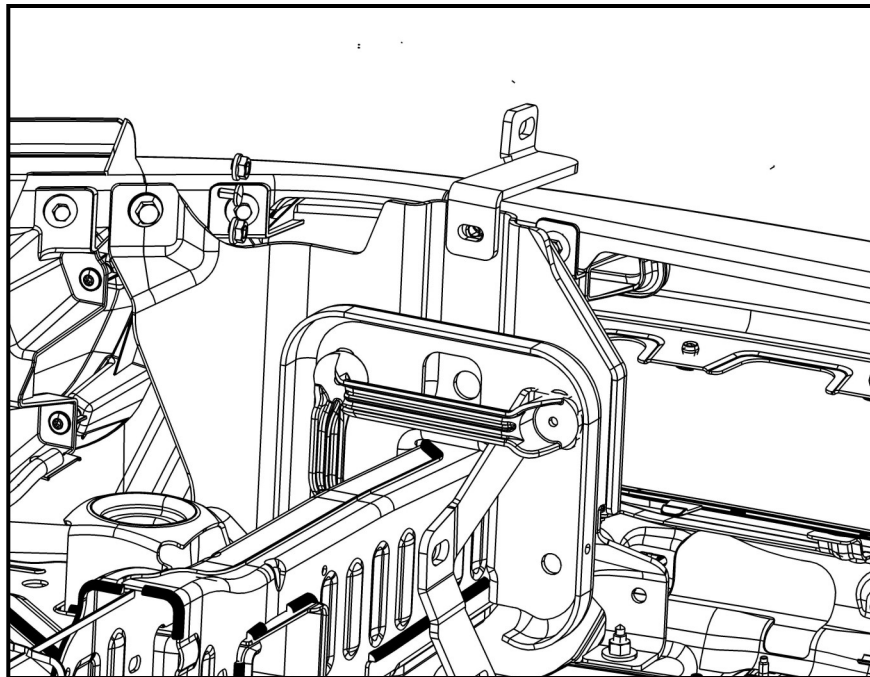
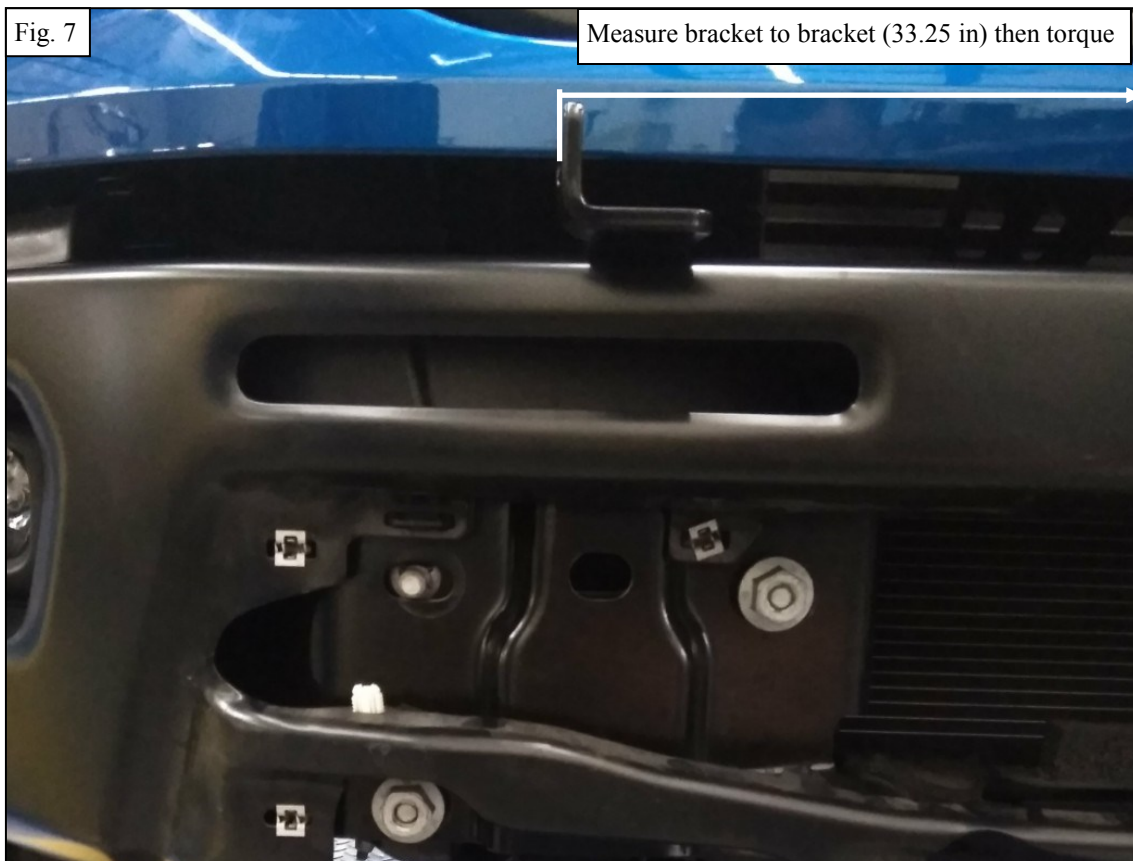


Fig. 7

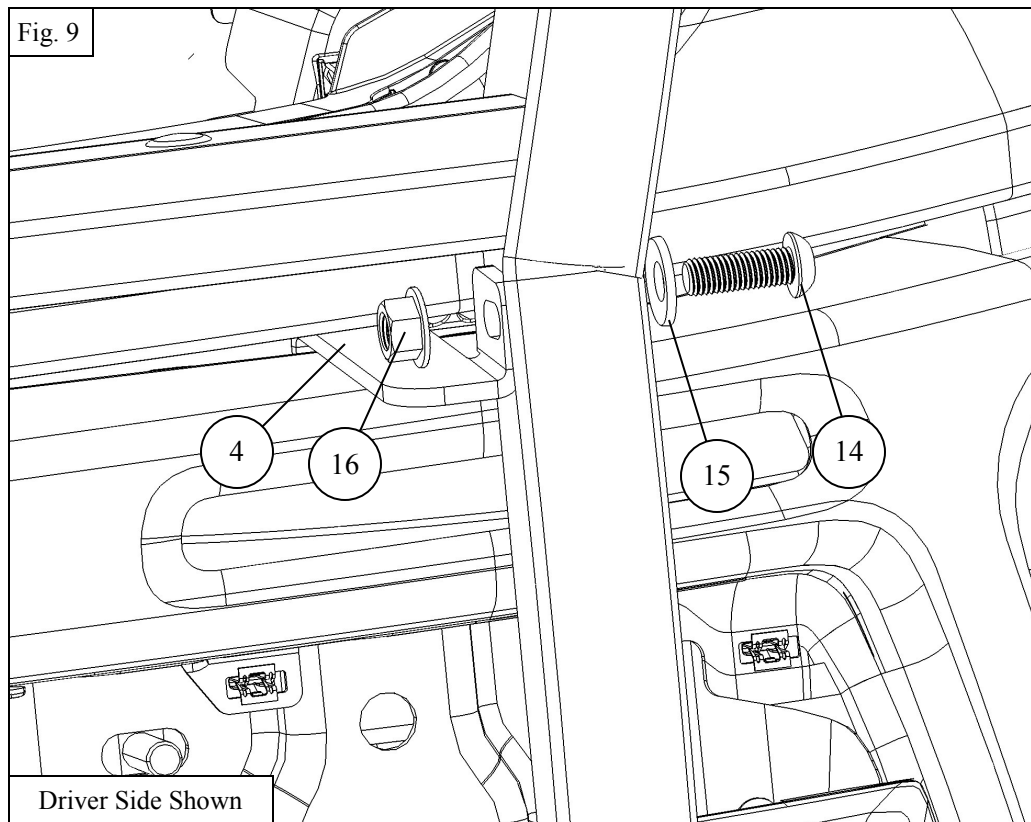
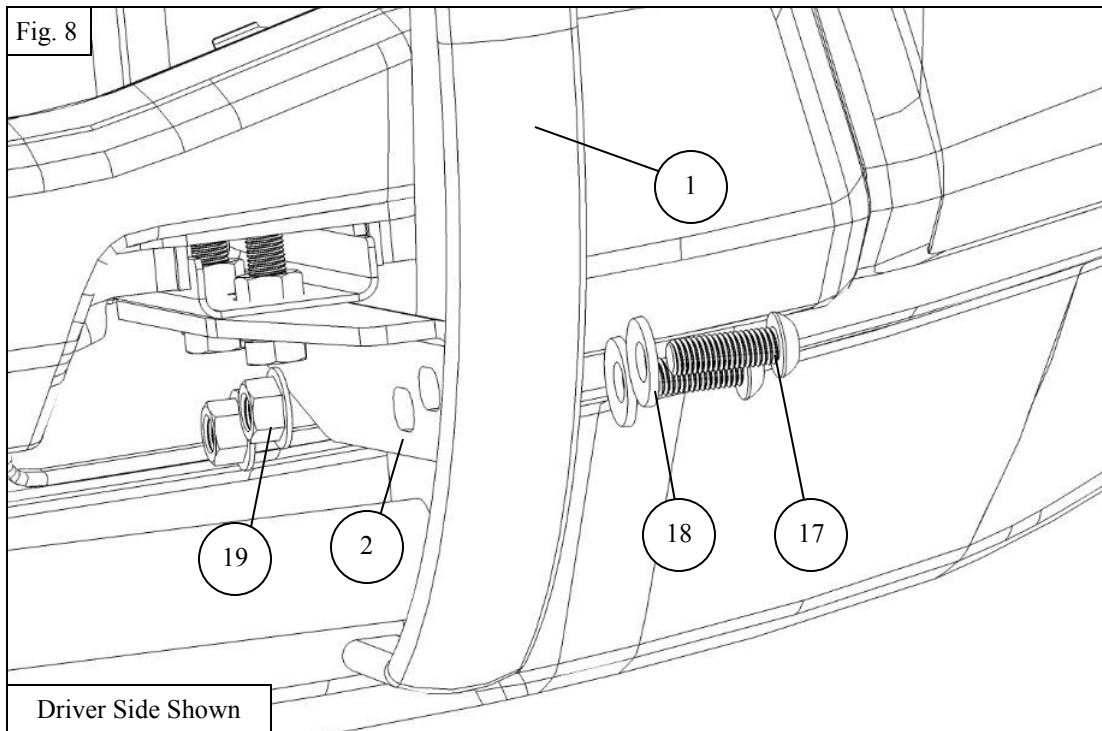
Measure bracket to bracket (33.25 in) then torque



Westin Automotive Products, Inc.
320 W. Covina Blvd
San Dimas, Ca. 91773

Thank you for choosing Westin products
for additional installation assistance please call
Customer Service (800) 793-7846
www.westinautomotive.com

10. Loosely mount the grille guard assembly to the brackets on the vehicle using supplied M10 and M12 hardware. See Figure 8-9.

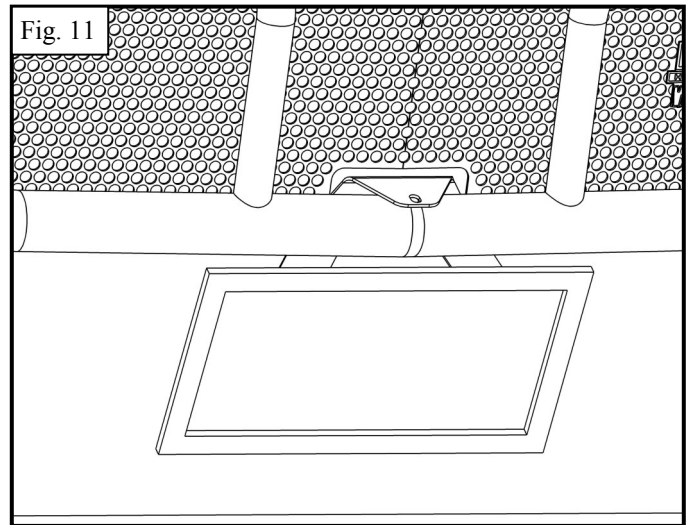
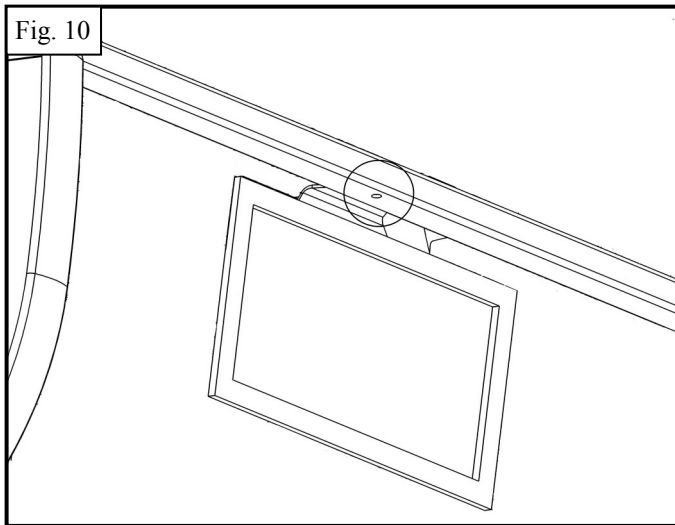


11. Adjust grille guard and torque down all bolts as specified: M6 to 7 ft lbs, M8 to 18 ft lbs, M10 to 35-40 ft lbs, M12 to 60 ft lbs.

WESTIN

Westin Automotive Products, Inc.
320 W. Covina Blvd
San Dimas, Ca. 91773

12. Use M6 hardware to mount license plate with license plate relocater 32-0055, reference IS 75-0376.



INSTALLATION COMPLETE



HDX Grille Guard Shown

Care Instructions

- REGULAR WAXING IS RECOMMENDED. DO NOT USE ANY TYPE OF POLISH OR WAX THAT MAY CONTAIN ABRASIVES.
- STAINLESS STEEL PRODUCTS CAN BE CLEANED WITH MILD SOAP AND WATER. STAINLESS STEEL POLISH SHOULD BE USED TO POLISH SMALL SCRATCHES.
- GLOSS BLACK FINISHES SHOULD BE CLEANED WITH MILD SOAP AND WATER.

WESTIN Westin Automotive Products, Inc.
320 W. Covina Blvd
San Dimas, Ca. 91773

Thank you for choosing Westin products
for additional installation assistance please call
Customer Service (800) 793-7846



WARNING



Failure to follow these instructions could lead to death, personal injury, and / or property damage.

Failure to follow these instructions could lead to death, personal injury, and / or property damage.

FASTENERS:

All Westin supplied fasteners must be utilized and installed in accordance with the installation instructions and apply torque to the specifications as defined. **DOUBLE CHECK ALL FASTENERS BEFORE INITIAL USE, AND PERIODICALLY IN THE FUTURE TO ENSURE PROPER FUNCTION AND SAFETY.**

DRILLING:

Most Westin products do not require drilling for installation. If drilling is defined as required, use caution when drilling a vehicle. **FAILURE TO REVIEW AN AREA TO BE DRILLED MAY RESULT IN PERSONAL INJURY AND/OR INJURY TO OTHERS AS WELL AS VEHICLE DAMAGE.**

EYE PROTECTION:

ALWAYS WEAR SAFETY GLASSES OR GOGGLES DURING THE INSTALLATION PROCESS TO AVOID PERSONAL INJURY.

MAXIMUM TOWING/CARRYING CAPACITY: (if applicable)

The Westin Receiver Hitches will have a visible tow rating label affixed directly on the product. User should never exceed the vehicle manufacturers maximum tow and weight rating regardless of the capacity of the hitch. **FAILURE TO FOLLOW THESE GUIDELINES WILL VOID THE WESTIN WARRANTY AND MAY RESULT IN PERSONAL INJURY AND/OR INJURY TO OTHERS AS WELL AS VEHICLE DAMAGE.**

FOR CALIFORNIA RESIDENTS ONLY-PROP 65 WARNING:

Some products may contain chemicals such as DEHP, which can cause cancer, birth defects or other reproductive harm. For more info go to www.p65warnings.ca.gov



Westin Automotive Products, Inc.
320 W. Covina Blvd
San Dimas, Ca. 91773