

# INSTALLATION INSTRUCTIONS



## PUSH BUMPER ELITE-XD

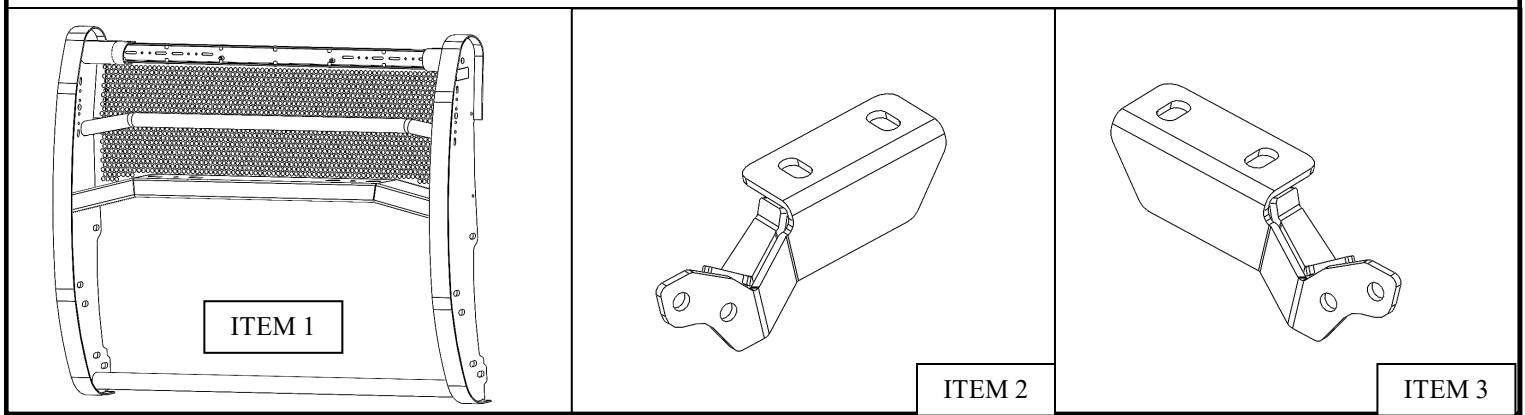
### APPLICATION:

2021-2024 Ford F-150 / F-150 Police Responder / F-150 XL SSV  
(Excl. F-150 Lightning EV)

PART NUMBER: 36-54085, 36-54085RK

CONTENT			
ITEM	QUANTITY	DESCRIPTION	TOOLS NEEDED
1	1	PUSH BUMPER ASSEMBLY	14MM SOCKET
2	1	DRIVER SIDE LOWER MOUNTING BRACKET	15MM SOCKET
3	1	PASSENGER SIDE LOWER MOUNTING BRACKET	18MM SOCKET
4	1	DRIVER SIDE UPPER SUPPORT BRACKET	21MM SOCKET
5	1	PASSENGER SIDE UPPER SUPPORT BRACKET	RATCHET
6	2	DOUBLE M12 NUT PLATE	UTILITY KNIFE
7	4	M12 HEX HEAD BOLT	PRY TOOL
8	4	M12 FLAT WASHER	ALLEN WRENCH
9	4	M12 SPLIT LOCK WASHER	TORQUE WRENCH
10	2	M8 HEX HEAD BOLT	
11	2	M8 FLAT WASHER	
12	2	M8 SPLIT LOCK WASHER	
13	4	M12 HEX SOCKET BUTTON HEAD SCREW	
14	4	M12 BELLVILLE WASHER	
15	4	M12 SERATED FLANGE NUT	
16	2	M10 HEX SOCKET BUTTON HEAD SCREW	
17	2	M10 BELLVILLE WASHER	
18	2	M10 SERRATED FLANGE NUT	
19	1	2024+ DRIVER SUPPORT BRACKET	
20	1	2024+ PASSENGER BRACKET	

**ANTI-SEIZE LUBRICANT MUST BE USED ON ALL STAINLESS STEEL FASTENERS TO PREVENT THREAD DAMAGE AND GALLING**

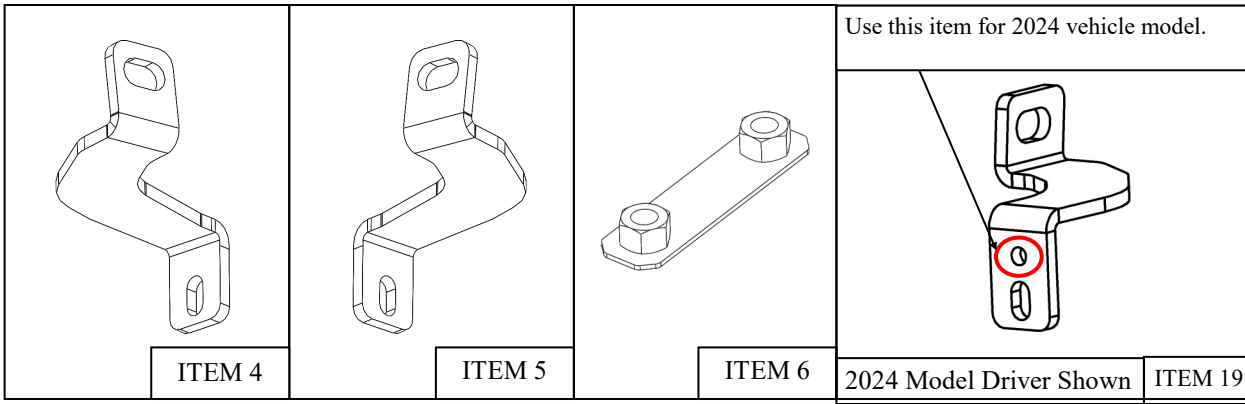


**WESTIN** Westin Automotive Products, Inc.  
320 W. Covina Blvd  
San Dimas, Ca. 91773

Thank you for choosing Westin products  
for additional installation assistance please call  
Customer Service (800) 793-7846

www.westinautomotive.com

DATE: 6/7/24

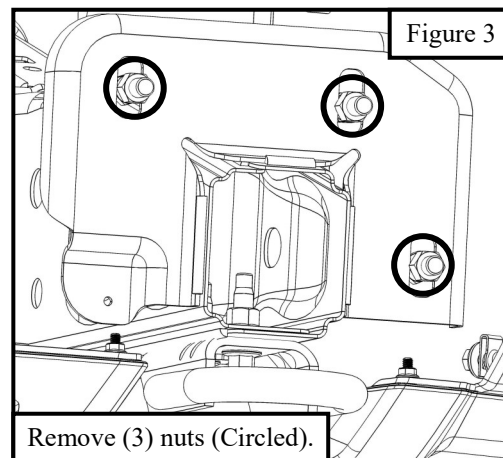
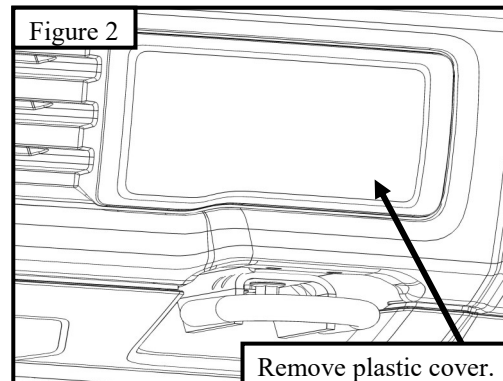


### PROCEDURE

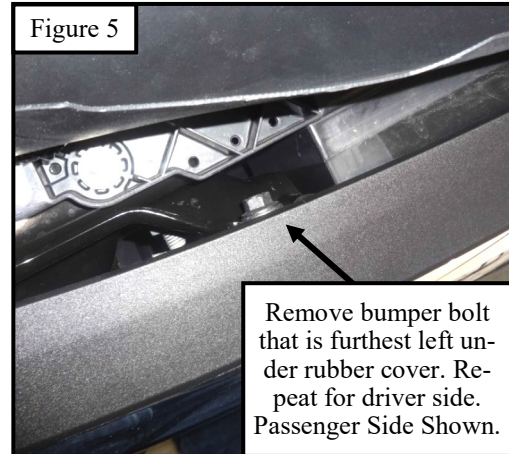
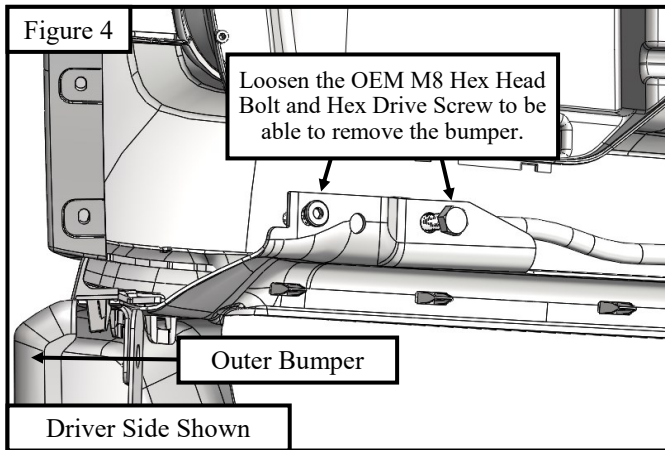
1. Remove contents from box, verify if all parts listed are present and free from damage. Carefully read and understand all instructions before attempting installation.  
**Failure to identify damage before installation could lead to a rejection of any claim.**

### 2021-2023 Models Bumper Removal

2. Start by removing the plastic pop clips and screws along the front of the vehicle that secure the OEM front grille shown in **Figure 1**. Remove the front grille carefully. **Note:** Make sure any wiring connectors pertaining to the grille are disconnected prior to removal.
3. Remove plastic covers that are located above the location of the tow hooks to expose (3) nuts on each side. See **Figures 2 & 3**.



4. Loosen of the OEM hex head bolt and the hex drive screw on both the outer sides of the bumper may be needed to remove the bumper. See **Figure 4** for reference. *Note: Assistance may be needed with bumper removal.*
5. Remove factory bumper bolt see **Figure 5**.



### Bumper Removal 2024 Model

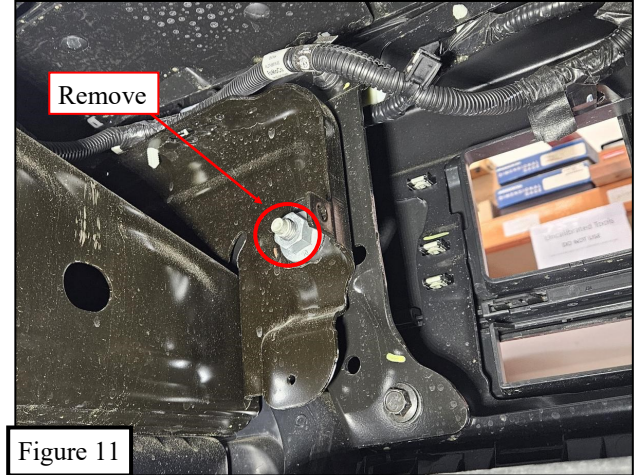
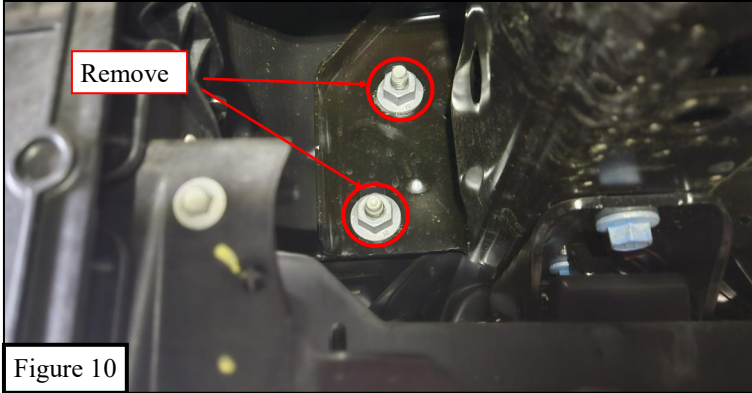
6. Disconnect the front parking sensor wiring harness located behind the front bumper, the connectors are sitting on the passenger side frame rail. See **Figures 6 & 7**.



7. Detach the end of the wiring harness that is located in the inside of the bumper, see **Figures 8 & 9**.

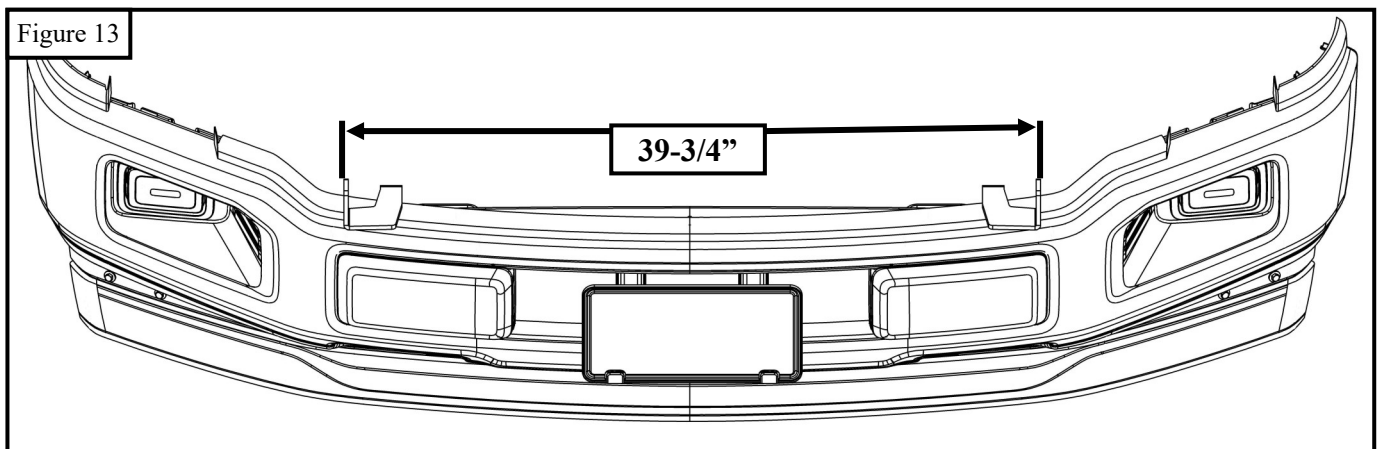
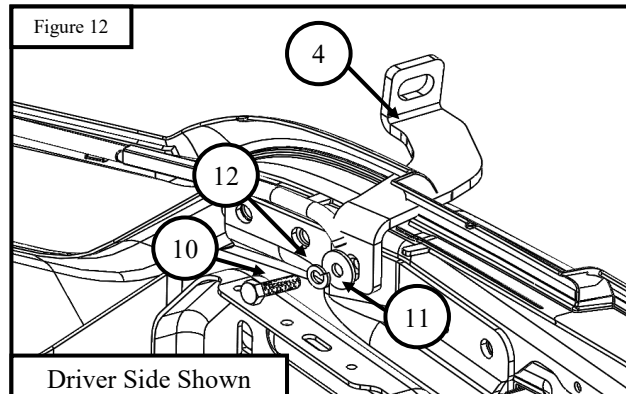


8. Once sensor is detached, loosen all nuts inside of the bumper using a 21mm socket (6 nuts total) . Once all hardware is loosened remove the front bumper. See **Figure 10 & 11**.



### 2021-2023 Models

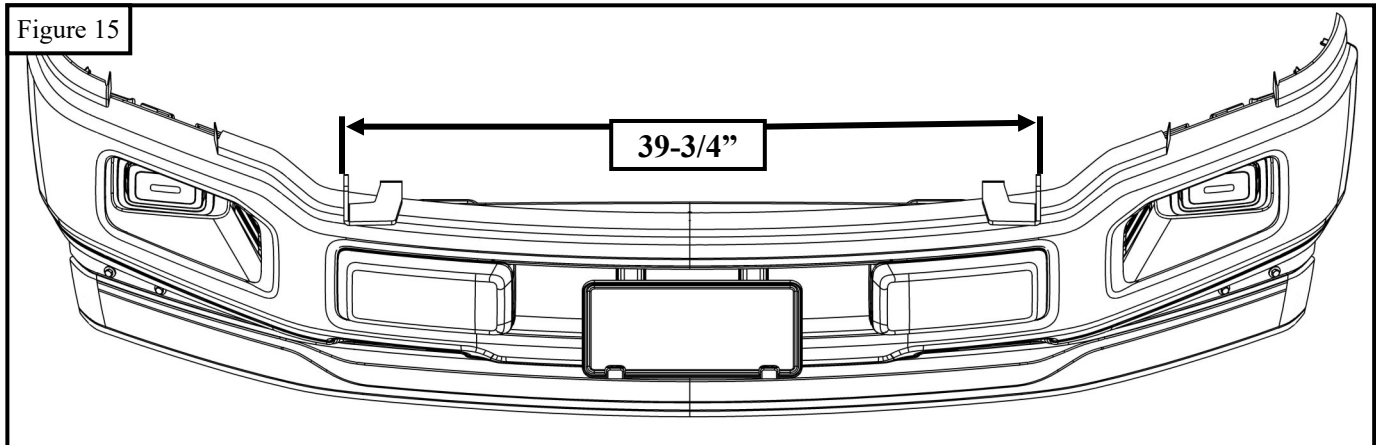
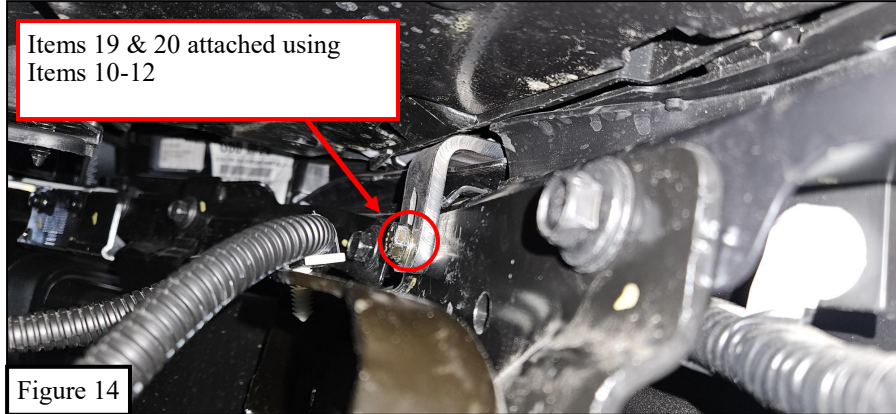
9. Install upper mounting brackets (Items 4 & 5) using supplied M8 hardware. Make sure the brackets are approximately 39-3/4" apart from outer bracket flange. Make sure to lay the bracket firmly on top of the rubber strip that is on top of the bumper. Tighten M8 hardware to 15 ft-lbs. See **Figures 12 & 13** for reference.



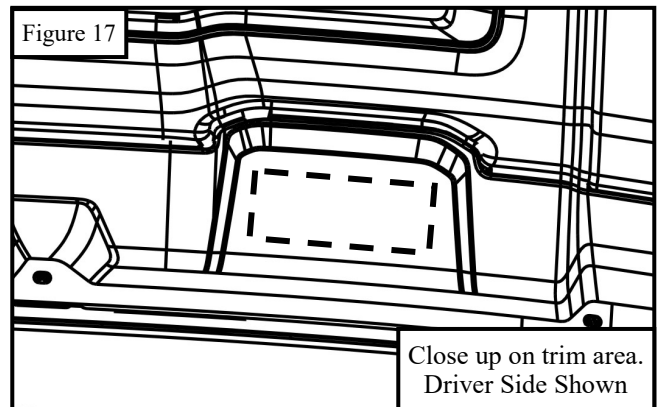
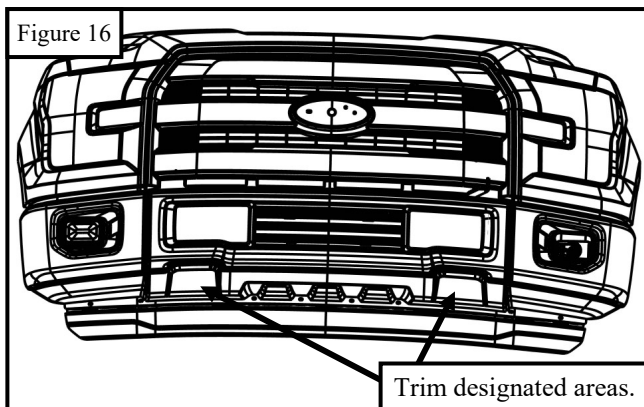
## Upper Bracket Installation 2024 Model

10. Install the Upper Mounting Bracket (Items 19 & 20) using the supplied M8 hardware (Items 10-12). Make sure the brackets are approximately 39-3/4" apart from outer bracket flange, and make sure to push the bracket firmly on top of the bumper onto bumper mounting. Tighten M8 hardware to 15 ft-lbs. See **Figures 14 & 15** for reference.

**Note:** See **Figure 12** for the location of the mounting hole for the Upper Mounting Bracket

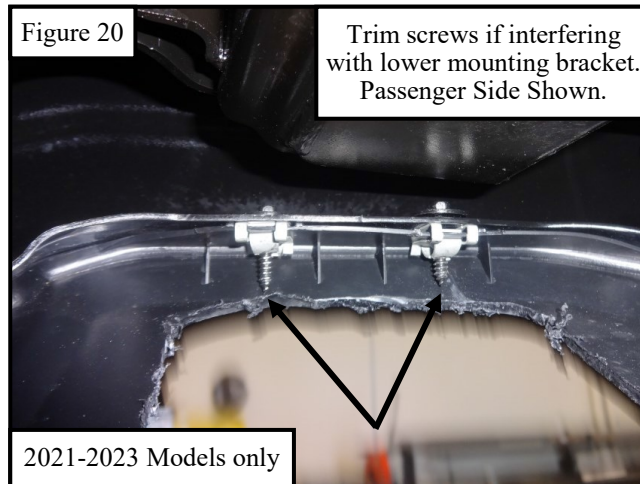
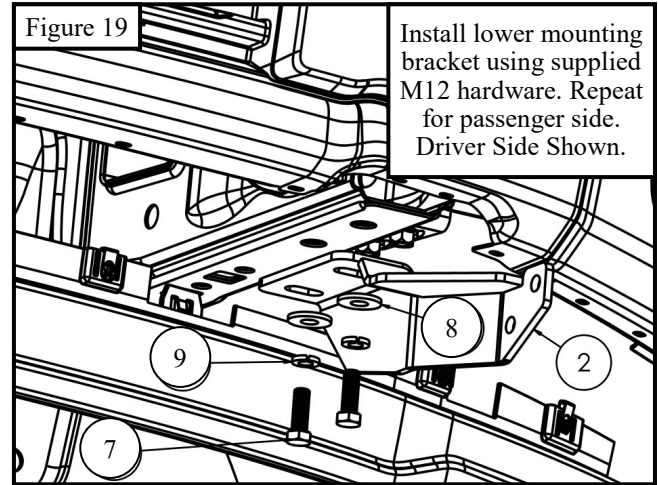
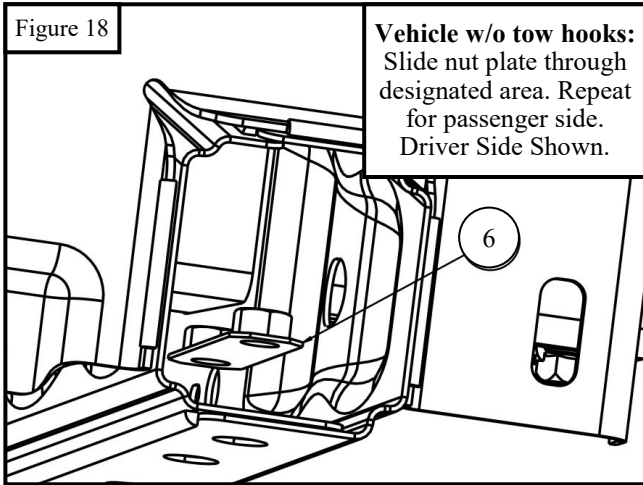


11. **For vehicles without factory tow hooks:** Trim the plastic in the areas in **Figures 16 & 17**. Repeat for the passenger side.

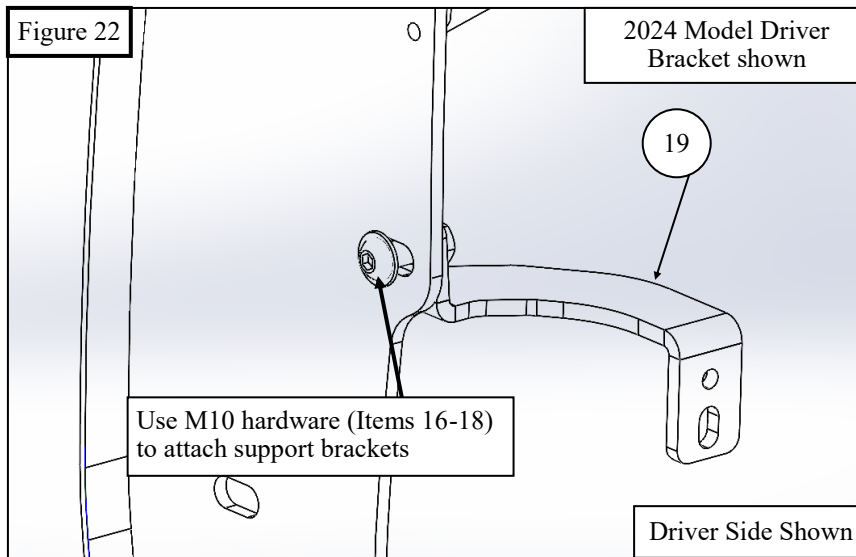
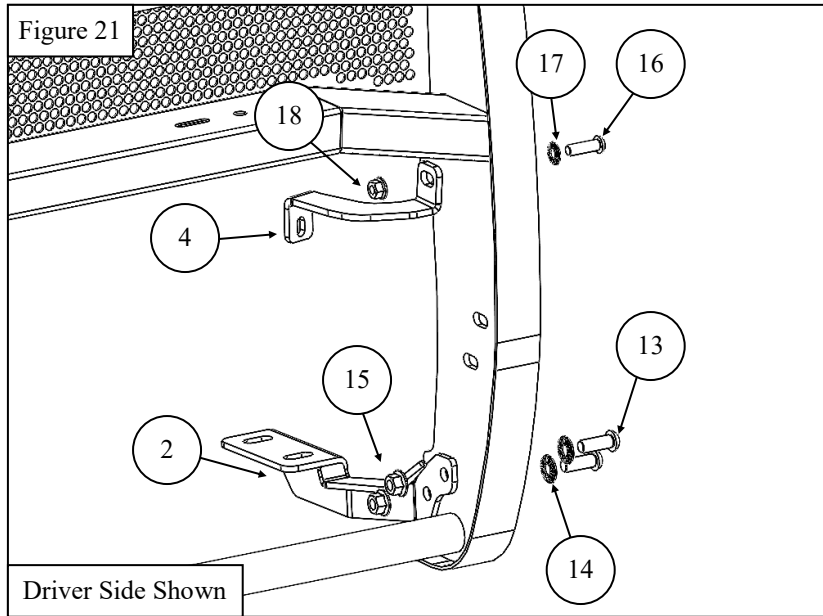


12. **For vehicles with factory tow hooks:** Remove tow hooks and loosely install Lower Mounting Brackets to factory nut plates using supplied M12 hardware as shown in **Figure 18 & 19**. *Note: Trimming of screws may be required if they interfere with lower mounting bracket. See **Figure 20**.*

13. **For vehicles without tow hooks:** Slip double nut plates into frame and line up with existing holes. See **Figure 18**. Loosely install the Lower Mounting Brackets using the supplied M12 hardware as shown in **Figure 19**. *Note: Trimming of screws may be required if they interfere with lower mounting bracket. See **Figure 20**.*



14. With assistance hold the Push Bumper Assembly up to the previously installed brackets. Loosely attach the Push Bumper to the brackets using the supplied M10 hardware for the upper support mounting brackets and the M12 hardware for the lower mounting brackets only. See **Figures 21 & 22** for reference.
15. Align and adjust the Push Bumper as needed. Tighten and torque the M8 hardware to 16-18 ft-lbs. M10 hardware to 35-40 ft-lbs. and the M12 hardware to 50-55 ft-lbs.



INSTALLATION COMPLETE



CARE INSTRUCTIONS

- REGULAR WAXING IS RECOMMENDED. DO NOT USE ANY TYPE OF POLISH OR WAX THAT MAY CONTAIN ABRASIVES.
- STAINLESS STEEL PRODUCTS CAN BE CLEANED WITH MILD SOAP AND WATER. STAINLESS STEEL POLISH SHOULD BE USED TO POLISH SMALL SCRATCHES.
- GLOSS BLACK FINISHES SHOULD BE CLEANED WITH MILD SOAP AND WATER.

**WESTIN**

Westin Automotive Products, Inc.  
320 W. Covina Blvd  
San Dimas, Ca. 91773

Thank you for choosing Westin products  
for additional installation assistance please call  
Customer Service (800) 793-7846  
[www.westinautomotive.com](http://www.westinautomotive.com)





## WARNING



Failure to follow these instructions could lead to death, personal injury, and / or property damage.

Failure to follow these instructions could lead to death, personal injury, and / or property damage.

### FASTENERS:

All Westin supplied fasteners must be utilized and installed in accordance with the installation instructions and apply torque to the specifications as defined. **DOUBLE CHECK ALL FASTENERS BEFORE INITIAL USE, AND PERIODICALLY IN THE FUTURE TO ENSURE PROPER FUNCTION AND SAFETY.**

### DRILLING:

Most Westin products do not require drilling for installation. If drilling is defined as required, use caution when drilling a vehicle. **FAILURE TO REVIEW AN AREA TO BE DRILLED MAY RESULT IN PERSONAL INJURY AND/OR INJURY TO OTHERS AS WELL AS VEHICLE DAMAGE.**

### EYE PROTECTION:

**ALWAYS WEAR SAFETY GLASSES OR GOGGLES DURING THE INSTALLATION PROCESS TO AVOID PERSONAL INJURY.**

### MAXIMUM TOWING/CARRYING CAPACITY: (if applicable)

The Westin Receiver Hitches will have a visible tow rating label affixed directly on the product. User should never exceed the vehicle manufacturers maximum tow and weight rating regardless of the capacity of the hitch. **FAILURE TO FOLLOW THESE GUIDELINES WILL VOID THE WESTIN WARRANTY AND MAY RESULT IN PERSONAL INJURY AND/OR INJURY TO OTHERS AS WELL AS VEHICLE DAMAGE.**

### FOR CALIFORNIA RESIDENTS ONLY-PROP 65 WARNING:

Some products may contain chemicals such as DEHP, which can cause cancer, birth defects or other reproductive harm. For more info go to [www.p65warnings.ca.gov](http://www.p65warnings.ca.gov)



Westin Automotive Products, Inc.  
320 W. Covina Blvd  
San Dimas, Ca. 91773