

# INSTALLATION INSTRUCTIONS



## Push Bumper EliteXD Wire Cover

### APPLICATION:

F-150/F-150 XL SSV 2015-2019

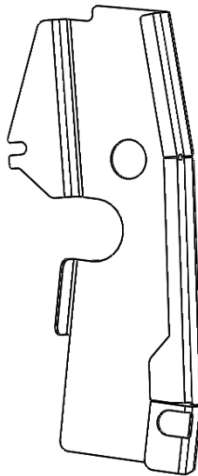
### PART NUMBER:

36-52065WC

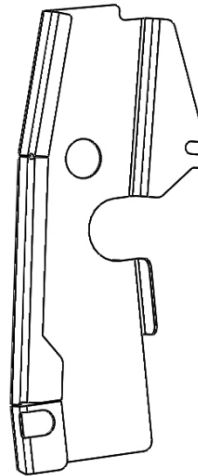
CONTENT			
ITEM	QUANTITY	DESCRIPTION	TOOLS NEEDED
1	1	WIRE COVER—DRIVER	15MM SOCKET
2	1	WIRE COVER—PASSENGER	10MM SOCKET
3	2	M6 SOCKET BUTTON HEAD SCREW	RATCHET
4	2	M6 FLAT WASHER, 18MM OD	6MM “L” WRENCH
5	2	M6 SERRATED FLANGE NUT	4MM “L” WRENCH
6	2	M10 SOCKET BUTTON HEAD SCREW	
7	2	M10 FLAT WASHER	
8	2	M10 LOCK WASHER	
9	2	M10 U-CLIP NUT	
		--	

**ANTI-SEIZE LUBRICANT MUST BE USED ON ALL STAINLESS STEEL FASTENERS TO PREVENT THREAD DAMAGE AND GALLING**

**THIS PRODUCT TO BE INSTALLED ONLY ON WESTIN PUSH BUMPER ELITE XD 36-52065**



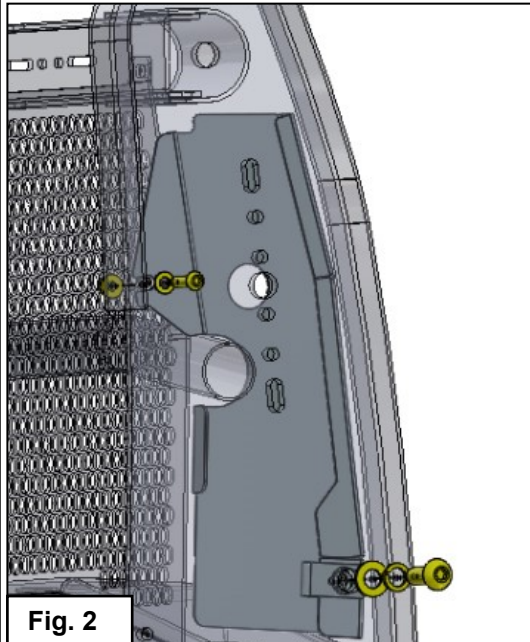
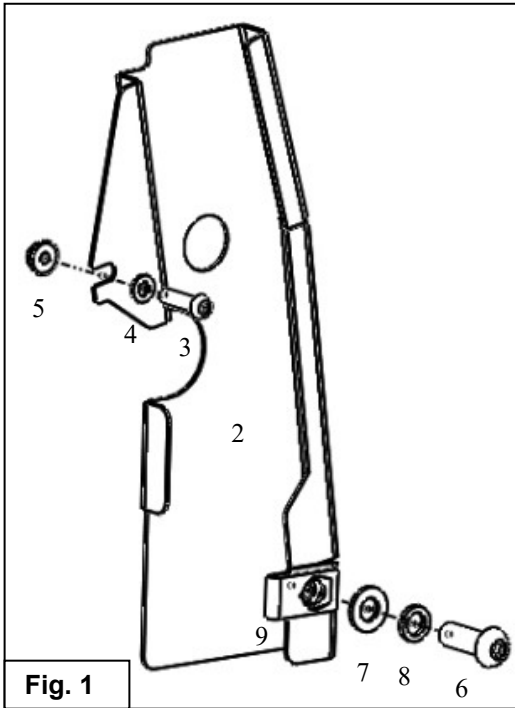
ITEM 1



ITEM 2

## PROCEDURE

1. Remove contents from box, verify if all parts listed are present and free from damage.  
Carefully read and understand all instructions before attempting installation.  
**Failure to identify damage before installation could lead to a rejection of any claim.**
2. Place the U-clip (9) on each wire cover as shown in figures 1 & 2.
3. Place wire covers 1 & 2 as shown in figure 2.
4. Install M10 hardware 6, 7, 8 & 9 as shown in figure 1 & 2.
5. Install M6 hardware 3, 4, & 5 as shown in figure 1 & 2.
6. Tighten hardware to: M6 hardware to 6-8 ft-lbs, and M10 hardware to 51-56 ft-lbs



## CARE INSTRUCTIONS

- REGULAR WAXING IS RECOMMENDED. DO NOT USE ANY TYPE OF POLISH OR WAX THAT MAY CONTAIN ABRASIVES
- STAINLESS STEEL PRODUCTS CAN BE CLEANED WITH MILD SOAP AND WATER. STAINLESS STEEL POLISH SHOULD BE USED TO POLISH SMALL SCRATCHES.
- GLOSS BLACK FINISHES SHOULD BE CLEANED WITH MILD SOAP AND WATER

**WESTIN** Westin Automotive Products, Inc.  
320 W. Covina Blvd  
San Dimas, Ca. 91773

P.N.: 75-3652065WC-RevA ECO #: W19-0001

Thank you for choosing Westin products  
for additional installation assistance please call  
Customer Service (800) 793-7846

[www.westinautomotive.com](http://www.westinautomotive.com)

DATE: 04/30/2019



SIGNATURE OF QUALITY

AUTOMOTIVE PRODUCTS, INC.

## WARNINGS & NOTICES FOR THE INSTALLATION OF WESTIN TOWING PRODUCTS - CLASS III RECEIVER HITCH

### NOTICE

Westin Receiver Hitches are designed to accommodate a 2"- square receiver draw bar rated for class III/IV towing. Closely follow all Westin Installation Instructions for the proper installation of product. Improper installation can result in death, serious injury, and/or product and vehicle damage. In the operation of these products, it is imperative to observe precautions for your personal safety and the safety of others.



### WARNING



Failure to follow these instructions could lead to death, personal injury, and / or property damage.

#### FASTENERS:

All Westin supplied fasteners must be utilized and installed in accordance with the installation instructions and apply torque to the specifications as defined. **DOUBLE CHECK ALL FASTENERS BEFORE INITIAL USE, AND PERIODICALLY IN THE FUTURE TO ENSURE PROPER FUNCTION AND SAFETY.**

#### DRILLING:

Most Westin products do not require drilling for installation. If drilling is defined as required, use caution when drilling a vehicle. **FAILURE TO REVIEW AN AREA TO BE DRILLED MAY RESULT IN PERSONAL INJURY AND/OR INJURY TO OTHERS AS WELL AS VEHICLE DAMAGE.**

#### EYE PROTECTION:

**ALWAYS WEAR SAFETY GLASSES OR GOGGLES DURING THE INSTALLATION PROCESS TO AVOID PERSONAL INJURY.**

#### MAXIMUM TOWING/CARRYING CAPACITY:

The Westin Receiver Hitches will have a visible tow rating label affixed directly on the product. User should never exceed the vehicle manufacturers maximum tow and weight rating regardless of the capacity of the hitch. **FAILURE TO FOLLOW THESE GUIDELINES WILL VOID THE WESTIN WARRANTY AND MAY RESULT IN PERSONAL INJURY AND/OR INJURY TO OTHERS AS WELL AS VEHICLE DAMAGE.**



Westin Automotive Products, Inc.  
320 W. Covina Blvd  
San Dimas, Ca. 91773

Thank you for choosing Westin products  
for additional installation assistance please call  
Customer Service (800) 793-7846

[www.westinautomotive.com](http://www.westinautomotive.com)

DATE: 04/30/2019