

INSTALLATION INSTRUCTIONS

Wing Wrap Elite XD

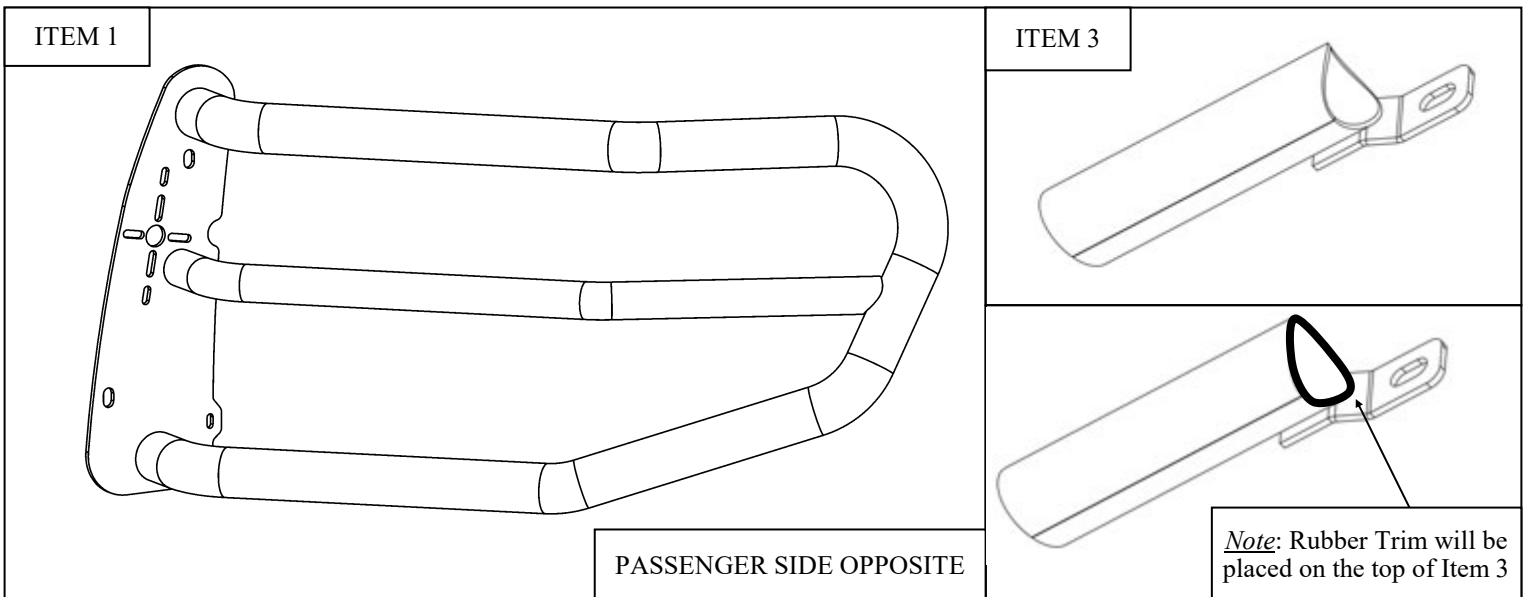


APPLICATION:
2025-2026 Ford Expedition SSV

PART NUMBER:
36-52055W

CONTENT			
ITEM	QUANTITY	DESCRIPTION	TOOLS REQUIRED
1	1	DRIVER WING WRAP	17MM SOCKET
2	1	PASSENGER WING WRAP	10MM SOCKET
3	2	WING WRAP SUPPORT BAR	8MM ALLEN KEY
4	2	RUBBER TRIM	6MM ALLEN KEY
5	4	M10 BUTTON HEAD BOLT	5MM ALLEN KEY
6	4	M10 BELLEVILLE WASHER	RATCHET
7	4	M10 SERRATED FLANGE NUT	
8	2	M8 FLANGED HEX HEAD SERRATED BOLT (30MM)	
9	2	M8 BUTTON HEAD BOLT (25MM)	
10	2	M8 FLAT WASHER	
11	2	M8 BELLEVILLE WASHER	
12	2	M6 BUTTON HEAD BOLT	
13	2	M6 SPLIT LOCK WASHER	
14	4	M6 FLAT WASHER	
15	2	M6 HEX NUT	

ANTI-SEIZE LUBRICANT MUST BE USED ON ALL STAINLESS STEEL FASTENERS TO PREVENT THREAD DAMAGE AND GALLING



NOTE:

This Wing Wrap EliteXD kit is to be installed only with PN: 36-52055 and 36-51055PB.

PROCEDURE

1. Remove contents from box, verify if all parts listed are present and free from damage.
Carefully read and understand all instructions before attempting installation.
Failure to identify damage before installation could lead to a rejection of any claim.

2. Mount the Driver Wing Wrap (**item 1**) to the Push Bar using the provided M10 hardware (**items 5-7**). See **Figures 2 and 3**. Leave all hardware loose until **Step 6**.
3. Install the provided M6 hardware (**items 12-15**). See **Figure 4**.

Note: When using Belleville washers, be sure to install them with the raised center facing towards the bolt head

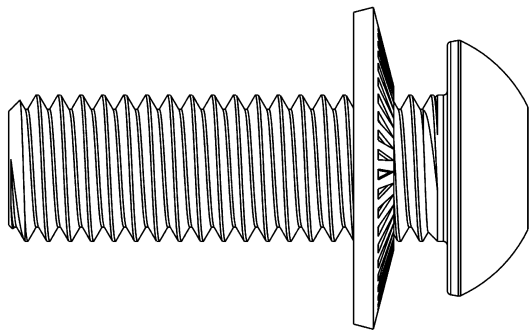
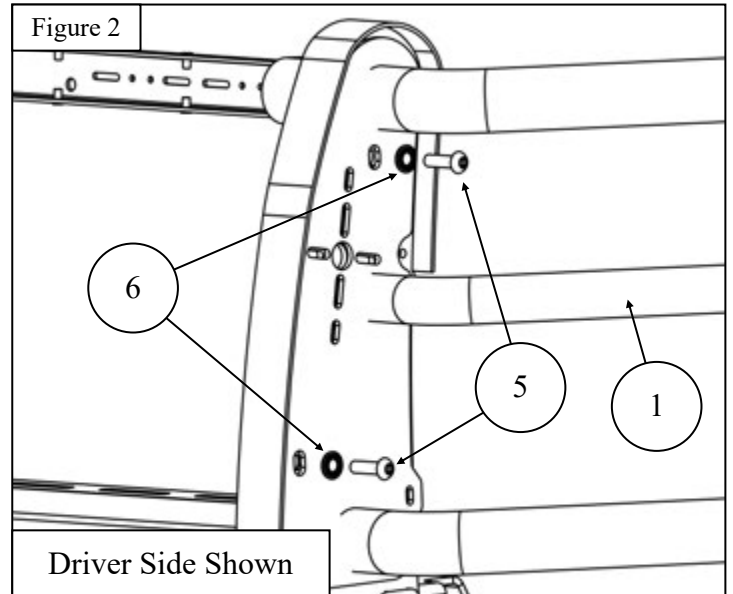
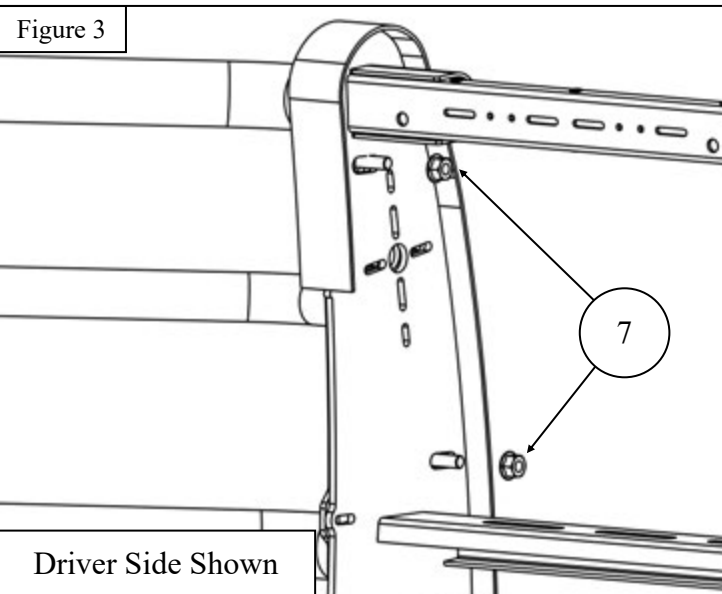


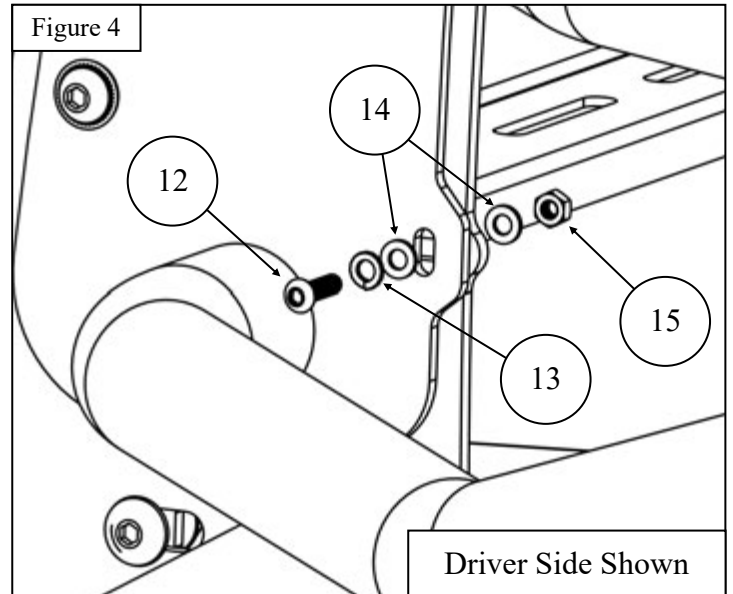
Figure 1



Driver Side Shown

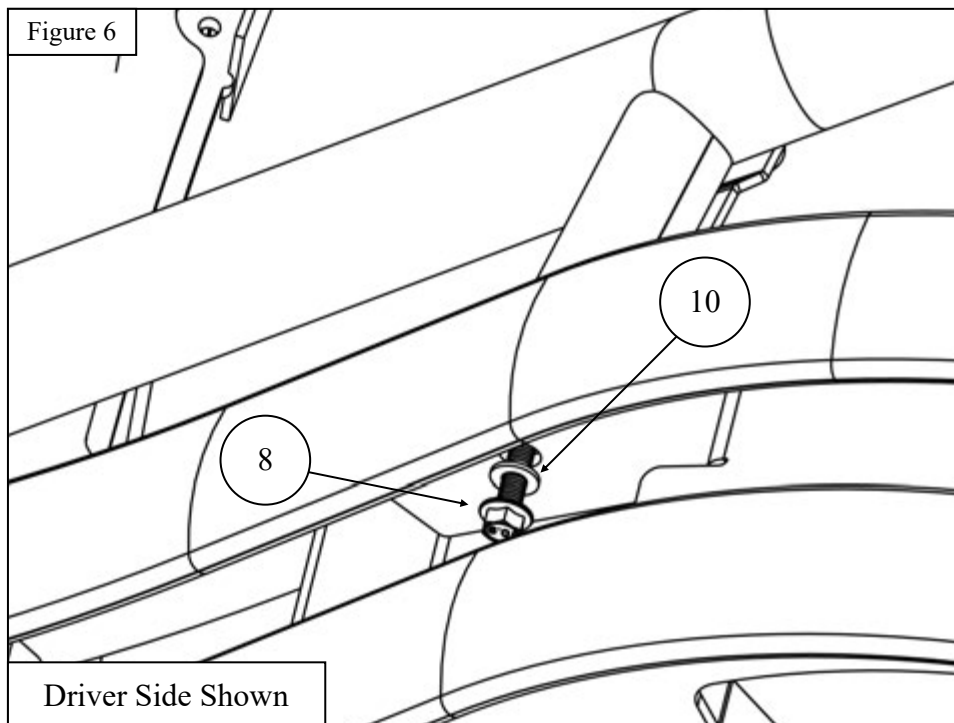
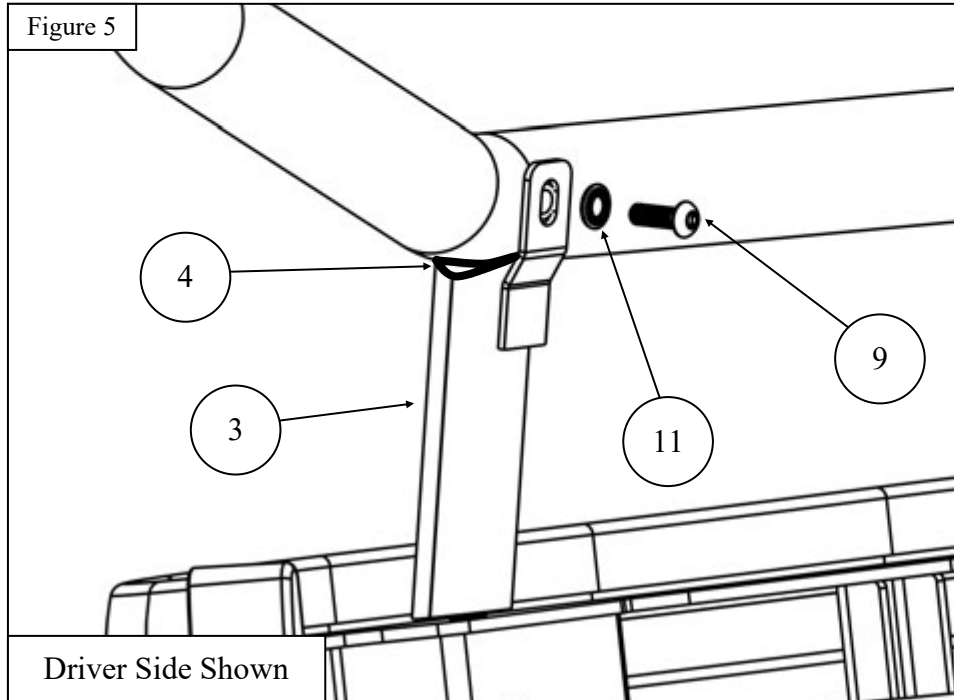


Driver Side Shown



Driver Side Shown

- Place the Rubber Trim (**item 4**) onto the Wing Wrap Support Bar (**item 3**) and loosely install using the provided M8 hardware (**items 9, 11**). See **Figure 5**.
- Install the Wing Wrap Support Bar to the Pit Bar's top bar by inserting the M8 Flanged Hex Head Serrated Bolt (**item 8**) and M8 Flat Washer (**item 10**) from underneath. See **Figure 6**.
- Align and adjust as necessary then **tighten hardware**: M10 hardware to 30-35 ft-lbs.; M8 hardware to 17-19 ft-lbs.; M6 hardware to 5-8 ft-lbs.



Installation Complete



CARE INSTRUCTIONS

- TEXTURE BLACK FINISHES SHOULD BE CLEANED WITH MILD SOAP AND WATER ONLY (DO NOT WAX).
- GLOSS BLACK FINISHES SHOULD BE CLEAN WITH MILD SOAP AND WATER.
- POLISHED STAINLESS PRODUCTS SHOULD BE CLEANED WITH MILD SOAP AND WATER. STAINLESS STEEL POLISH MAY BE USED TO REMOVE SMALL SCRATCHES.
- REGULAR WAXING IS RECOMMENDED FOR GLOSS BLACK AND STAINLESS STEEL PRODUCTS. DO NOT USE WAX THAT MAY CONTAIN ABRASIVES.

WESTIN Westin Automotive Products, Inc.
320 W. Covina Blvd
San Dimas, Ca. 91773

Thank you for choosing Westin products
for additional installation assistance please call
Customer Service (800) 793-7846
www.westinautomotive.com



WARNING



Failure to follow these instructions could lead to death, personal injury, and / or property damage.

Failure to follow these instructions could lead to death, personal injury, and / or property damage.

FASTENERS:

All Westin supplied fasteners must be utilized and installed in accordance with the installation instructions and apply torque to the specifications as defined. **DOUBLE CHECK ALL FASTENERS BEFORE INITIAL USE, AND PERIODICALLY IN THE FUTURE TO ENSURE PROPER FUNCTION AND SAFETY.**

DRILLING:

Most Westin products do not require drilling for installation. If drilling is defined as required, use caution when drilling a vehicle. **FAILURE TO REVIEW AN AREA TO BE DRILLED MAY RESULT IN PERSONAL INJURY AND/OR INJURY TO OTHERS AS WELL AS VEHICLE DAMAGE.**

EYE PROTECTION:

ALWAYS WEAR SAFETY GLASSES OR GOGGLES DURING THE INSTALLATION PROCESS TO AVOID PERSONAL INJURY.

MAXIMUM TOWING/CARRYING CAPACITY: (if applicable)

The Westin Receiver Hitches will have a visible tow rating label affixed directly on the product. User should never exceed the vehicle manufacturers maximum tow and weight rating regardless of the capacity of the hitch. **FAILURE TO FOLLOW THESE GUIDELINES WILL VOID THE WESTIN WARRANTY AND MAY RESULT IN PERSONAL INJURY AND/OR INJURY TO OTHERS AS WELL AS VEHICLE DAMAGE.**

FOR CALIFORNIA RESIDENTS ONLY-PROP 65 WARNING:

Some products may contain chemicals such as DEHP, which can cause cancer, birth defects or other reproductive harm. For more info go to www.p65warnings.ca.gov