

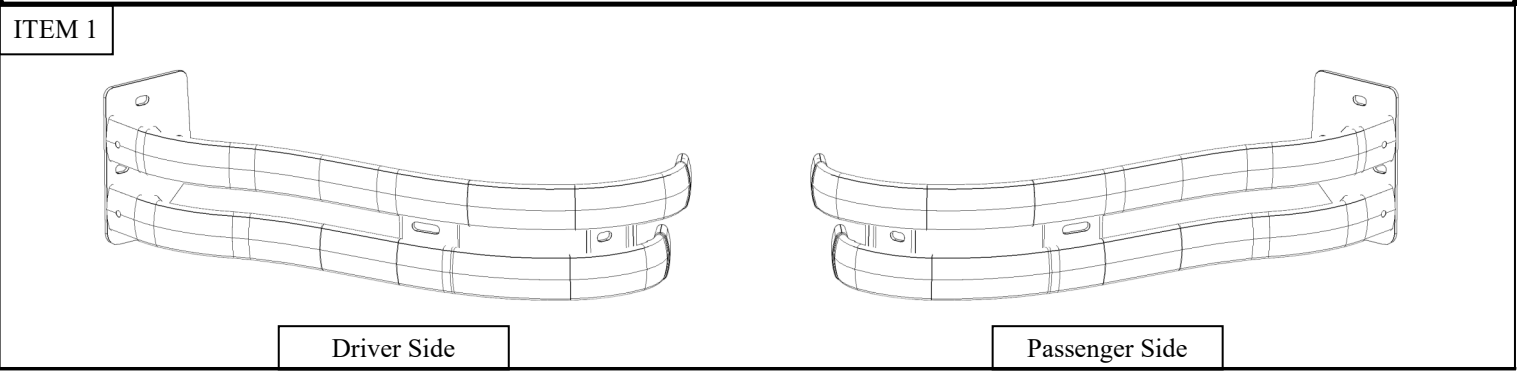
# INSTALLATION INSTRUCTIONS

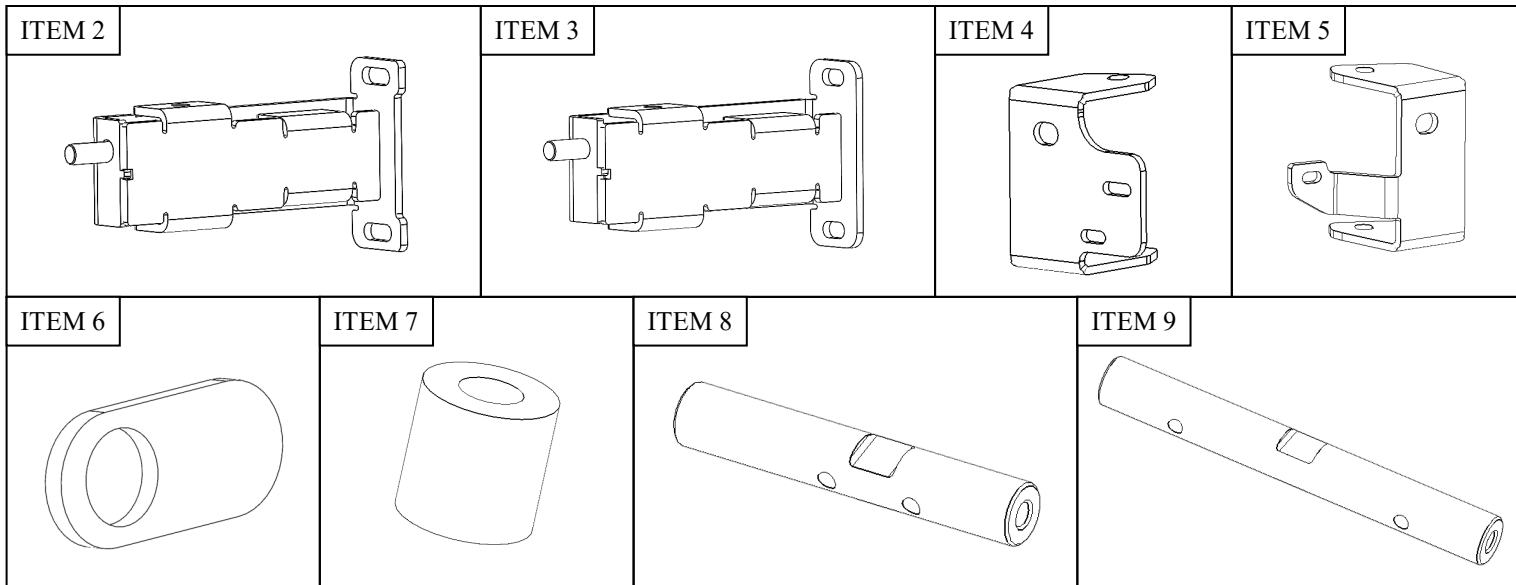


**PIT BAR ELITE**  
**APPLICATION:**  
**2021 Dodge Durango**  
**PART NUMBER:**  
**36-4075PB**

<b>CONTENT</b>			
ITEM	QUANTITY	DESCRIPTION	TOOLS NEEDED
1	2	PIT BAR ASSEMBLY (1 DRIVER, 1 PASSENGER)	10MM SOCKET
2	1	DRIVER SIDE MOUNTING BRACKET	10MM WRENCH
3	1	PASSENGER SIDE MOUNTING BRACKET	16MM SOCKET
4	1	DRIVER SIDE SUPPORT BRACKET	16MM WRENCH
5	1	PASSENGER SIDE SUPPORT BRACKET	18MM SOCKET
6	2	BOLT PLATE	18MM WRENCH
7	2	SMALL 27MM SPACER	RATCHET
8	2	MEDIUM 150MM SPACER	TORQUE WRENCH
9	2	LARGE 212MM SPACER	ALLEN WRENCH
10	1	DRIVER SIDE CUTTING TEMPLATE	
11	1	PASSENGER SIDE CUTTING TEMPLATE	
12	4	SHORT M12 BUTTON HEAD BOLT	
13	8	LONG M12 BUTTON HEAD BOLT	
14	8	M12 FLANGE HEX NUT	
15	12	M12 BELLVILLE WASHER	
16	3	M6 BUTTON HEAD CAP SCREW	
17	3	M6 FLAT WASHER	
18	3	M6 SERRATED FLANGE HEX HEAD NUT	
19	2	M10 HEX HEAD BOLT	
20	2	M10 SPLIT LOCK WASHER	
21	2	M10 FLAT WASHER	
22	2	M10 FLANGE HEX HEAD BOLT	

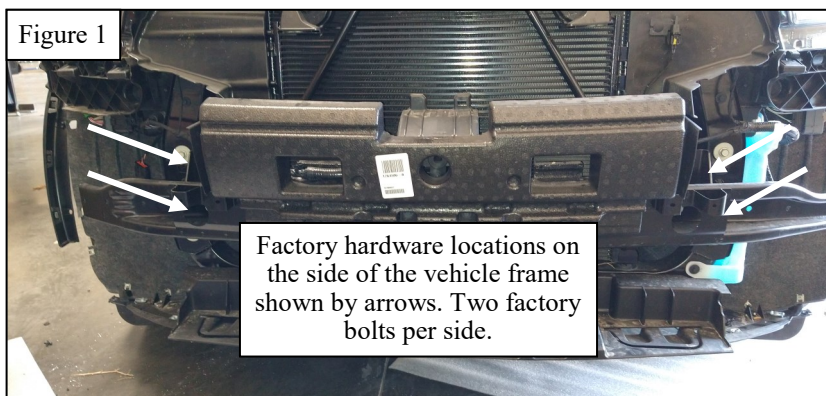
**ANTI-SEIZE LUBRICANT MUST BE USED ON ALL STAINLESS STEEL FASTENERS TO PREVENT THREAD DAMAGE AND GALLING**

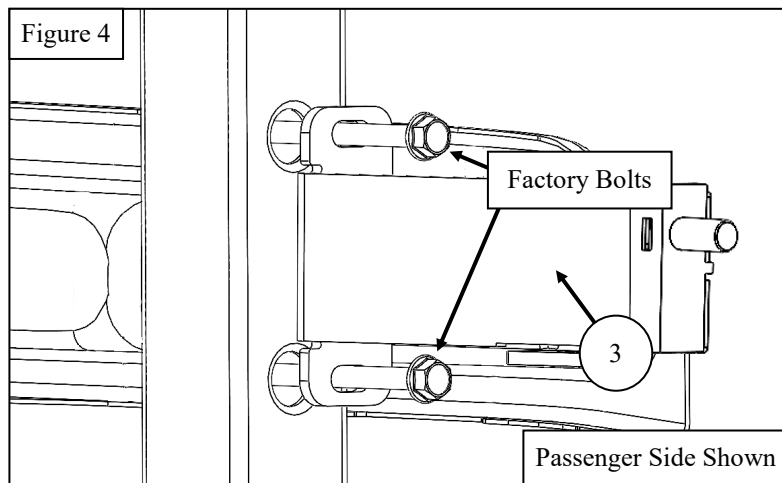
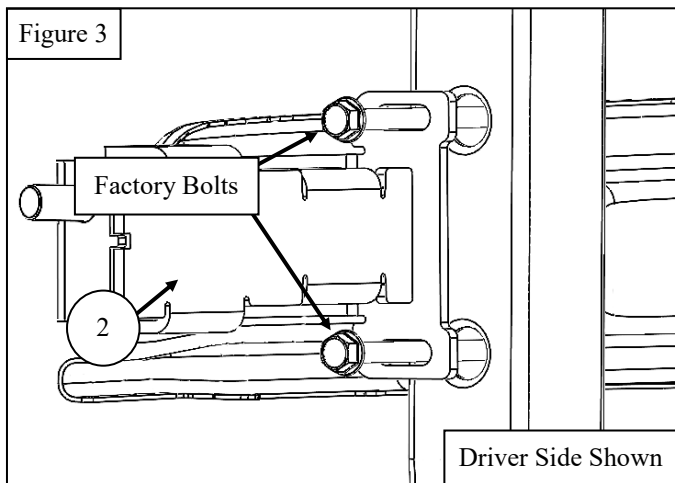




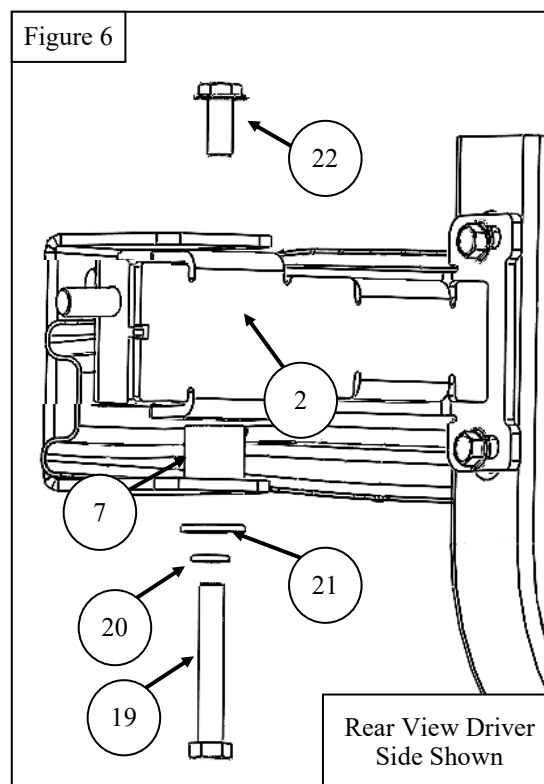
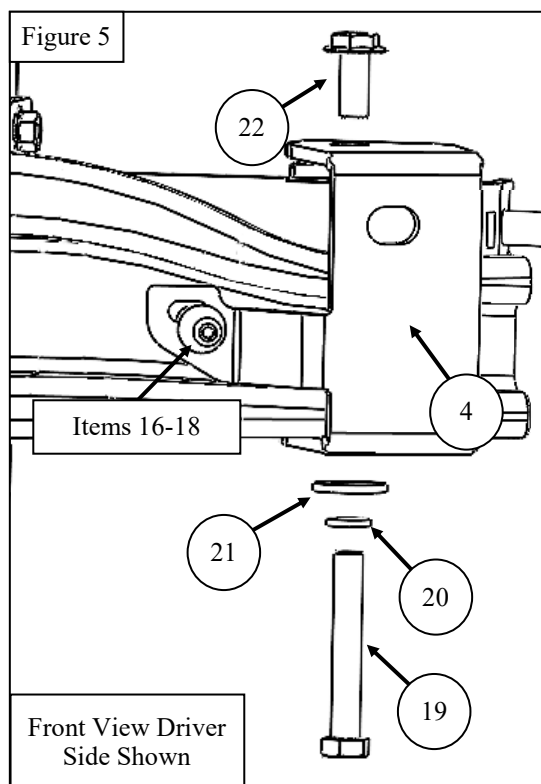
### PROCEDURE

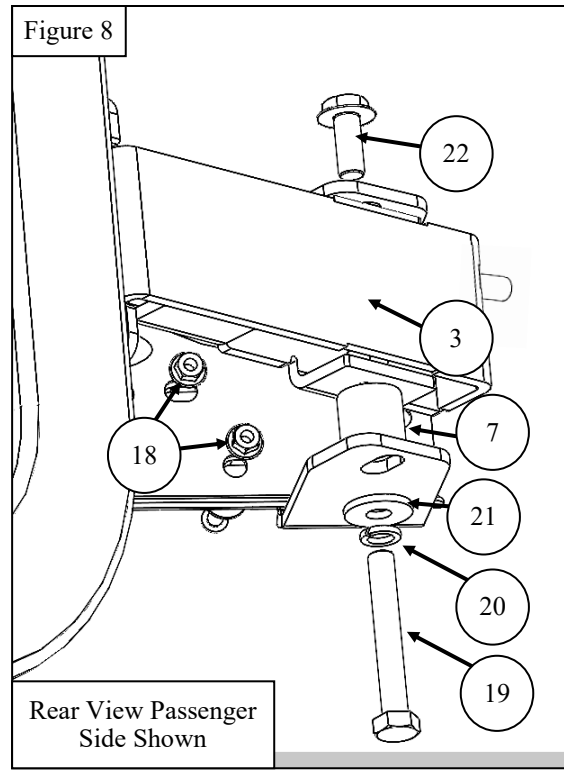
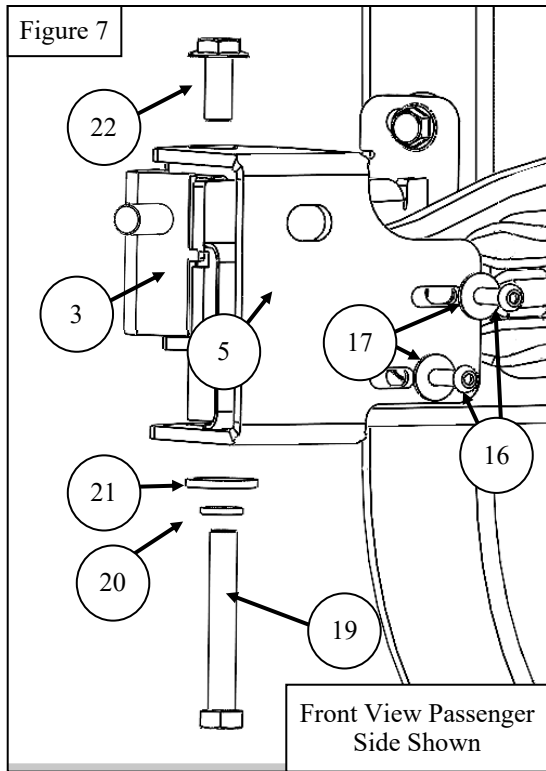
1. Remove contents from box, verify if all parts listed are present and free from damage. Carefully read and understand all instructions before attempting installation.  
**Failure to identify damage before installation could lead to a rejection of any claim.**
2. Once the Push Bumper (P# 36-4075) has been mounted and adjusted, and with the front vehicle fascia removed, locate and remove the two factory bolts at the locations shown in **Figures 1 & 2**.
3. Locate and install the Driver Side Mounting Bracket (Item 2) with the two factory bolts as shown in **Figure 3**.
4. Repeat for the Passenger Side Mounting Bracket (Item 3) as shown in **Figure 4**. *Note: Pay attention to the subtle differences between the Driver and Passenger Side Mounting Brackets as they look similar. Make sure to mount the correct bracket to its corresponding location.*



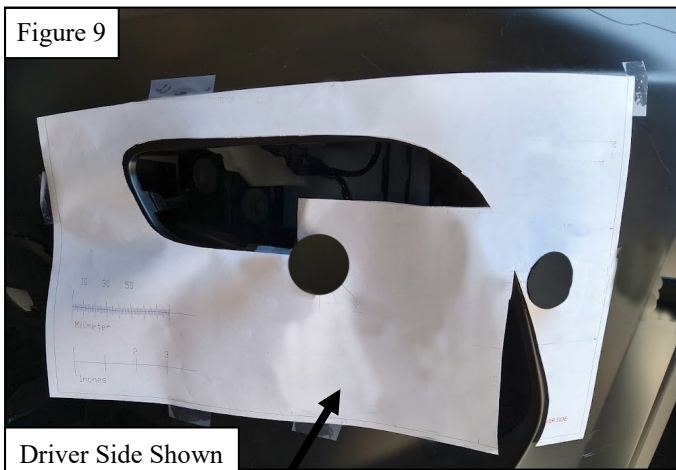


5. Locate and install the Driver Side Support Bracket (Item 4) as shown in **Figure 5 & 6** with the supplied M6 and M10 hardware (Items 16-22).
6. Locate and install the Passenger Side Support Bracket (Item 5) as shown in **Figure 7 & 8** with the supplied M6 and M10 hardware (Items 16-22)

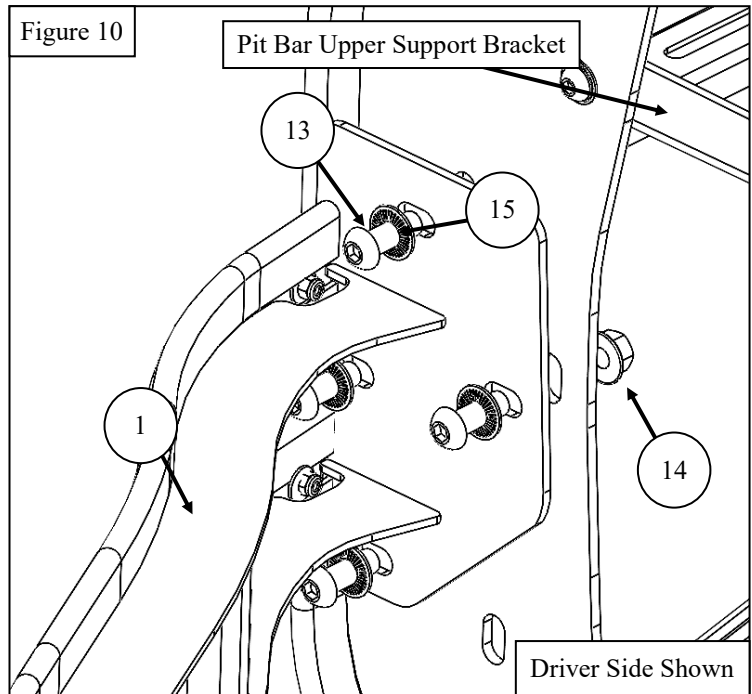




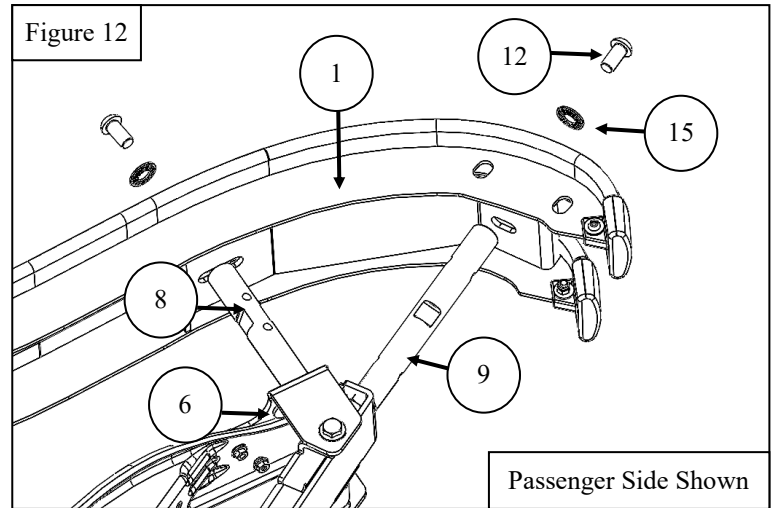
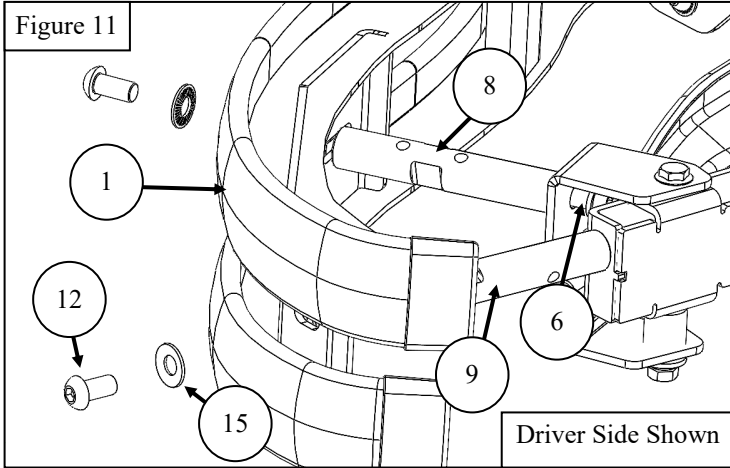
7. Reinstall the OEM front bumper at this time.
8. Use the supplied Template (Items 10 & 11) to determine where to drill **two 1-1/2"** holes in the vehicle's bumper. Follow the instructions on the template, then mark and drill the **two 1-1/2"** holes needed to install the Pit Bar Assembly (Item 1). See **Figure 9** for template placement. **NOTE: TEMPLATES ARE NOT MIRROR TO EACH OTHER.**
9. Locate and install the medium and large Spacers (Items 8 & 9) to the Support Mounting Brackets as shown in **Figures 11 & 12**.
10. Loosely install the Pit Bar Assembly (Item 1) to your Push Bumper (P# 36-4075) using the supplied M12 Hardware. See **Figure 10** for reference. **Note:** Push Bumper (P# 36-4075) sold separately.



Follow the cutting instructions on the provided templates (Items 10 & 11) and place it in the location shown.



11. Use the supplied M12 Hardware and Spacers (Items 8 & 9) to secure the Pit Bar (Item 1) to the Mounting Brackets on either side. See **Figures 11 & 12** for reference. **Note:** the factory bumper is sandwiched between the spacers (Items 8 & 9) and the Mounting Brackets.



12. Align and adjust the Push Bumper and Pit Bar as needed then torque all hardware as follows: M6 Hardware to 15 ft-lbs, M10 Hardware to 35 ft-lbs, M12 Hardware to 60 ft-lbs.
13. *Optional Step:* the provided holes on the Pit Bar can be used to mount an emergency light. See **Figures 13 & 14** for reference.



Installation Complete



#### CARE INSTRUCTIONS

- REGULAR WAXING IS RECOMMENDED. DO NOT USE ANY TYPE OF POLISH OR WAX THAT MAY CONTAIN ABRASIVES.
- STAINLESS STEEL PRODUCTS CAN BE CLEANED WITH MILD SOAP AND WATER. STAINLESS STEEL POLISH SHOULD BE USED TO POLISH SMALL SCRATCHES.
- GLOSS BLACK FINISHES SHOULD BE CLEANED WITH MILD SOAP AND WATER.

**WESTIN** Westin Automotive Products, Inc.  
320 W. Covina Blvd  
San Dimas, Ca. 91773

Thank you for choosing Westin products  
for additional installation assistance please call  
Customer Service (800) 793-7846  
[www.westinautomotive.com](http://www.westinautomotive.com)



## WARNING



Failure to follow these instructions could lead to death, personal injury, and / or property damage.

Failure to follow these instructions could lead to death, personal injury, and / or property damage.

### FASTENERS:

All Westin supplied fasteners must be utilized and installed in accordance with the installation instructions and apply torque to the specifications as defined. **DOUBLE CHECK ALL FASTENERS BEFORE INITIAL USE, AND PERIODICALLY IN THE FUTURE TO ENSURE PROPER FUNCTION AND SAFETY.**

### DRILLING:

Most Westin products do not require drilling for installation. If drilling is defined as required, use caution when drilling a vehicle. **FAILURE TO REVIEW AN AREA TO BE DRILLED MAY RESULT IN PERSONAL INJURY AND/OR INJURY TO OTHERS AS WELL AS VEHICLE DAMAGE.**

### EYE PROTECTION:

**ALWAYS WEAR SAFETY GLASSES OR GOGGLES DURING THE INSTALLATION PROCESS TO AVOID PERSONAL INJURY.**

### MAXIMUM TOWING/CARRYING CAPACITY: (if applicable)

The Westin Receiver Hitches will have a visible tow rating label affixed directly on the product. User should never exceed the vehicle manufacturers maximum tow and weight rating regardless of the capacity of the hitch. **FAILURE TO FOLLOW THESE GUIDELINES WILL VOID THE WESTIN WARRANTY AND MAY RESULT IN PERSONAL INJURY AND/OR INJURY TO OTHERS AS WELL AS VEHICLE DAMAGE.**

### FOR CALIFORNIA RESIDENTS ONLY-PROP 65 WARNING:

Some products may contain chemicals such as DEHP, which can cause cancer, birth defects or other reproductive harm. For more info go to [www.p65warnings.ca.gov](http://www.p65warnings.ca.gov)



Westin Automotive Products, Inc.  
320 W. Covina Blvd  
San Dimas, Ca. 91773