

INSTALLATION INSTRUCTIONS

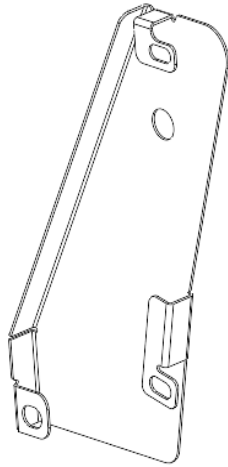


ELITE UPRIGHT WIRE COVER
APPLICATION:
 Accessory for 36-2125 Push Bumper Elite
 FORD INTERSEPTOR UTILITY 2020
PART NUMBER:
 36-2125WC

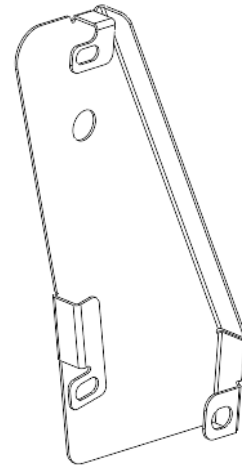
CONTENT			
ITEM	QUANTITY	DESCRIPTION	TOOLS NEEDED
1	1	WIRE COVER—DRIVER	15MM SOCKET
2	1	WIRE COVER—PASSENGER	RATCHET
3	4	M6 SOCKET BUTTON HEAD SCREW	6MM “L” WRENCH
4	4	M6 LOCK WASHER	4MM “L” WRENCH
5	4	M6 FLAT WASHER, 18MM OD	
6	2	M8 SOCKET BUTTON HEAD SCREW	
7	2	M8 LOCK WASHER	
8	2	M8 FLAT WASHER	
9	4	M6 U-CLIP NUT	
10	2	M8 U-CLIP NUT	
		--	

ANTI-SEIZE LUBRICANT MUST BE USED ON ALL STAINLESS STEEL FASTENERS TO PREVENT THREAD DAMAGE AND GALLING

THIS PRODUCT CAN BE INSTALLED ONLY ON WESTIN PUSH BUMPER ELITE 36-2035.



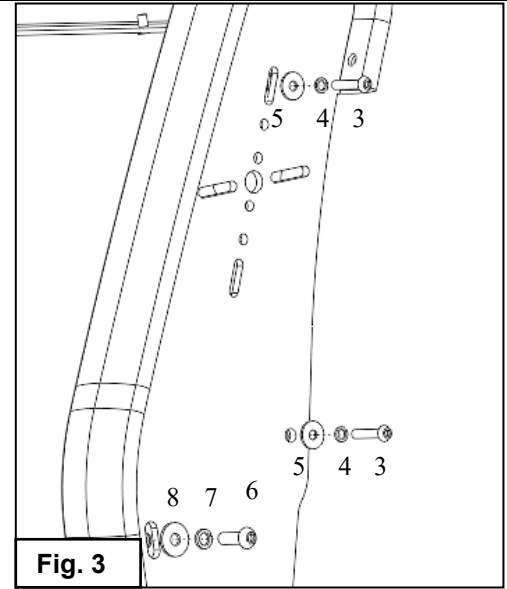
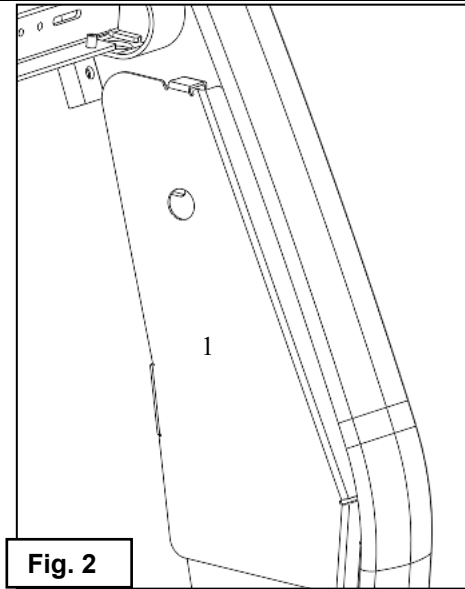
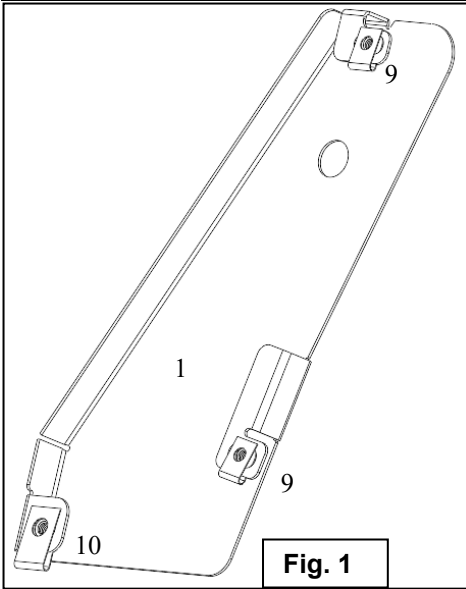
ITEM 1



ITEM 2

PROCEDURE

1. Remove contents from box, verify if all parts listed are present and free from damage.
Carefully read and understand all instructions before attempting installation.
Failure to identify damage before installation could lead to a rejection of any claim.
2. Install U-clips (9 & 10) on wire cover as shown in figure 1.
3. Place wire covers 1 & 2 as shown in figure 2.
4. Install M8 hardware 6, 7, & 8 as shown in figure 3.
5. Install M6 hardware as shown in figure 3.
6. Tighten hardware to: M6 hardware to 8 ft-lb, and M8 hardware to 19 ft-lb.



INSTALLATION COMPLETED



CARE INSTRUCTIONS

- REGULAR WAXING IS RECOMMENDED. DO NOT USE ANY TYPE OF POLISH OR WAX THAT MAY CONTAIN ABRASIVES
- STAINLESS STEEL PRODUCTS CAN BE CLEANED WITH MILD SOAP AND WATER. STAINLESS STEEL POLISH SHOULD BE USED TO POLISH SMALL SCRATCHES.
- GLOSS BLACK FINISHES SHOULD BE CLEANED WITH MILD SOAP AND WATER

WESTIN Westin Automotive Products, Inc.
320 W. Covina Blvd
San Dimas, Ca. 91773

Thank you for choosing Westin products
for additional installation assistance please call
Customer Service (800) 793-7846

www.westinautomotive.com

DATE: 01/24/2020



WARNING



Failure to follow these instructions could lead to death, personal injury, and / or property damage.

Failure to follow these instructions could lead to death, personal injury, and / or property damage.

FASTENERS:

All Westin supplied fasteners must be utilized and installed in accordance with the installation instructions and apply torque to the specifications as defined. **DOUBLE CHECK ALL FASTENERS BEFORE INITIAL USE, AND PERIODICALLY IN THE FUTURE TO ENSURE PROPER FUNCTION AND SAFETY.**

DRILLING:

Most Westin products do not require drilling for installation. If drilling is defined as required, use caution when drilling a vehicle. **FAILURE TO REVIEW AN AREA TO BE DRILLED MAY RESULT IN PERSONAL INJURY AND/OR INJURY TO OTHERS AS WELL AS VEHICLE DAMAGE.**

EYE PROTECTION:

ALWAYS WEAR SAFETY GLASSES OR GOGGLES DURING THE INSTALLATION PROCESS TO AVOID PERSONAL INJURY.

MAXIMUM TOWING/CARRYING CAPACITY: (if applicable)

The Westin Receiver Hitches will have a visible tow rating label affixed directly on the product. User should never exceed the vehicle manufacturers maximum tow and weight rating regardless of the capacity of the hitch. **FAILURE TO FOLLOW THESE GUIDELINES WILL VOID THE WESTIN WARRANTY AND MAY RESULT IN PERSONAL INJURY AND/OR INJURY TO OTHERS AS WELL AS VEHICLE DAMAGE.**

FOR CALIFORNIA RESIDENTS ONLY-PROP 65 WARNING:

Some products may contain chemicals such as DEHP, which can cause cancer, birth defects or other reproductive harm. For more info go to www.p65warnings.ca.gov



Westin Automotive Products, Inc.
320 W. Covina Blvd
San Dimas, Ca. 91773