

# INSTALLATION INSTRUCTIONS

**DEFENDER SINGLE CELL**  
**APPLICATION:**  
**2021-2022 Dodge Durango**  
**PART NUMBER:**  
**35-220755A**  
**35-220755B**  
**35-220755C**



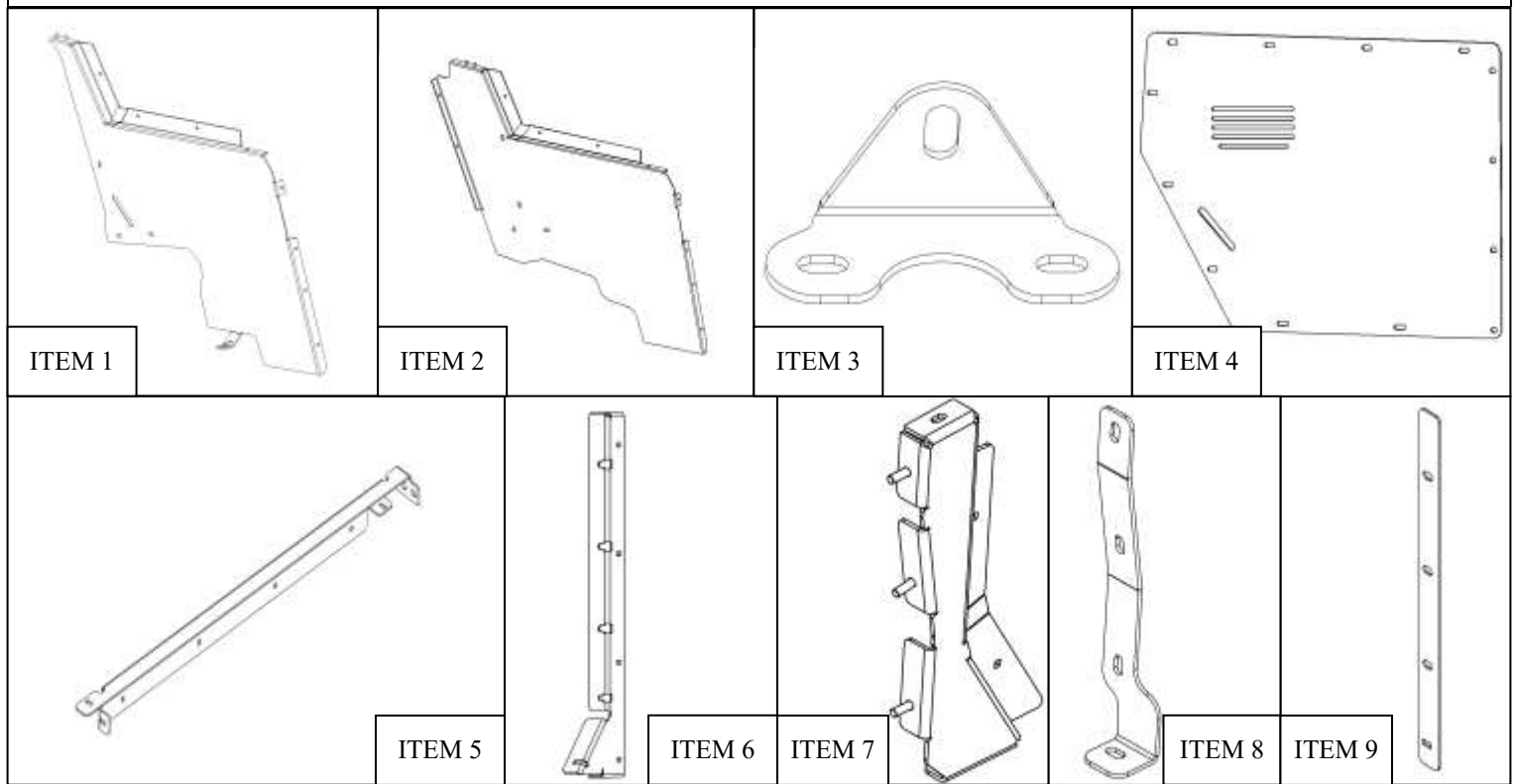
<b>Kit Numbers:</b> 35-220755 35-220765
--

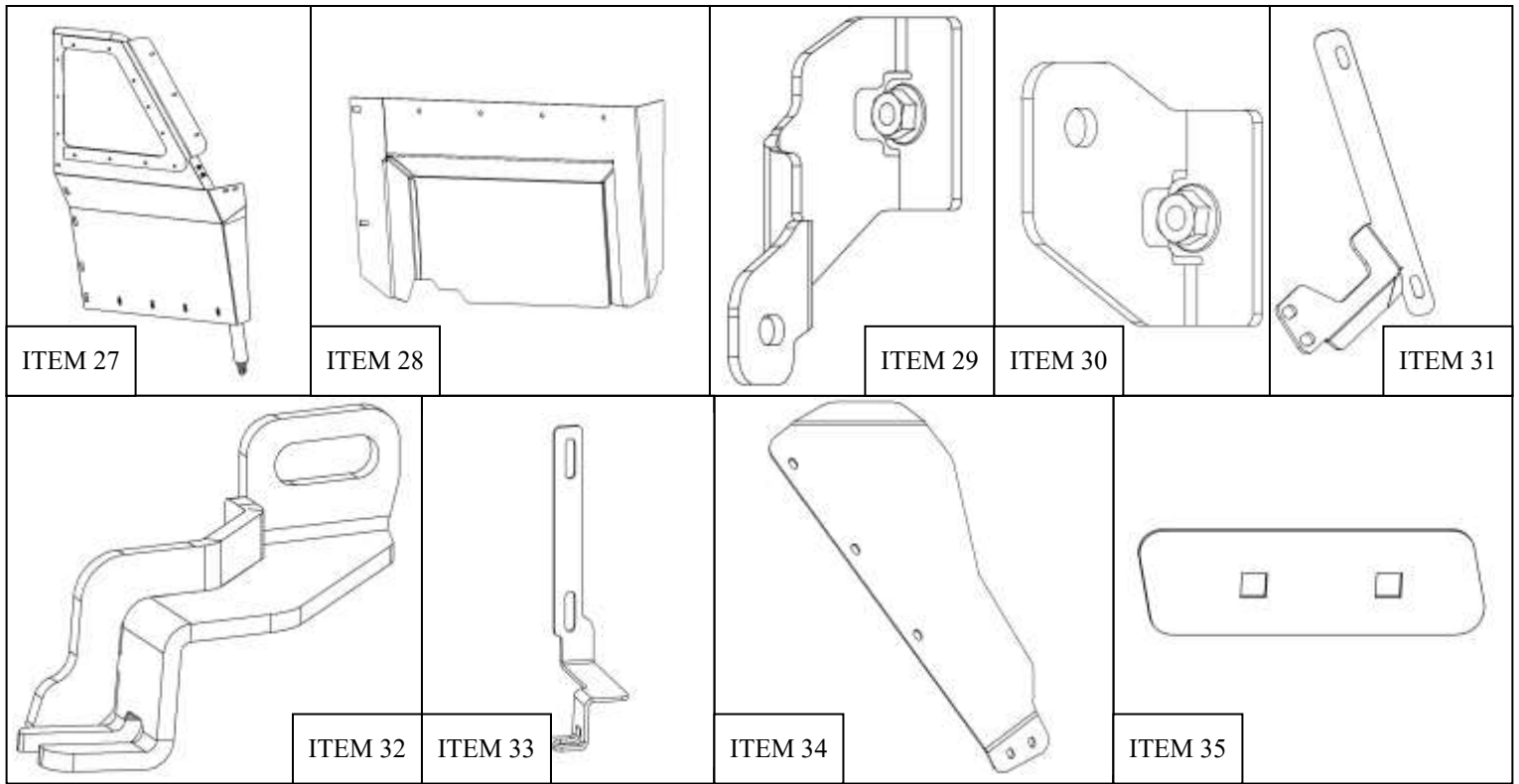
<b>CONTENT</b>			
<b>ITEM</b>	<b>QUANTITY</b>	<b>DESCRIPTION</b>	<b>TOOLS NEEDED</b>
1	1	SINGLE SEAT PANEL (PRISONER SEAT)	10MM SOCKET
2	1	SINGLE SEAT PANEL (OE SEAT)	10MM WRENCH
3	2	SEAT BRACKET (PRISONER SEAT)	13MM SOCKET
4	1	WINDOW DIVIDER	13MM WRENCH
5	1	UPPER WINDOW FRAME	16MM SOCKET
6	1	FRONT WINDOW FRAME	16MM WRENCH
7	1	REAR WINDOW FRAME	7/16" SOCKET
8	1	REAR BACKING PLATE	RATCHET
9	1	LINK PLATE	TORQUE WRENCH
10	2	25 MM M8 HEX HEAD SCREW	4MM ALLEN WRENCH
11	3	M8 FLAT WASHER	5MM ALLEN WRENCH
12	3	M8 SPLIT LOCK WASHER	PHILLIPS SCREWDRIVER
13	1	35 MM M8 HEX HEAD CAP SCREW	
14	4	M8 SERRATE FLANGE NUT	
15	2	M6 25MM BUTTON HEAD CAP SCREW	
16	3	M6 20MM BUTTON HEAD CAP SCREW	
17	6	M6 15MM BUTTON HEAD CAP SCREW	
18	8	M6 FLAT WASHER	
19	2	M6 SERRATE FLANGE NUT	
20	8	M6 SPLIT LOCK WASHER	
21	16	1/4" LONG CARRIAGE BOLT	
22	29	1/4" THICK FLAT WASHER	
23	25	1/4" INTERNAL TOOTH WASHER	
24	25	1/4" A-CORN NUT	
25	9	1/4" SHORT CARRIAGE BOLT	
26	4	PHILIPS PAN HIGH LOW SCREW FULLT THREADED	
27	1	FRONT PASSANGER PARTITION	
28	1	PASSENGER FOOT POCKET	
29	1	INTERNAL UPPER PASSENGER BRACKET	
30	1	INTERNAL LOWER PASSENGER BRACKET	

**ANTI-SEIZE LUBRICANT MUST BE USED ON ALL STAINLESS STEEL FASTENERS TO PREVENT THREAD DAMAGE AND GALLING**

ITEM	QUANTITY	DESCRIPTION	TOOLS NEEDED
31	1	UPPER PASSENGER BRACKET	
32	1	BOTTOM PASSENGER BRACKET	
33	1	PASSENGER STRAP	
34	1	POLYCARBONATE PASSENGER WINDOW	
35	1	SIDE WINDOW PLATE	
36	2	M8 BUTTON HEAD CAP SCREW	
37	2	M8 FLAT WASHER	
38	2	M8 SPLIT LOCK WASHER	
39	2	25 MM M6 BUTTON HEAD CAP SCREW	
40	6	M6 FLAT WASHER	
41	4	M6 SERRATE FLANGE NUT	
42	2	M6 LOCK WASHER	
43	1	M10 SERRATE FLANGE BOLT	
44	1	M10 SERRATE FLANGE NUT	

**ANTI-SEIZE LUBRICANT MUST BE USED ON ALL STAINLESS STEEL FASTENERS TO PREVENT THREAD DAMAGE AND GALLING**



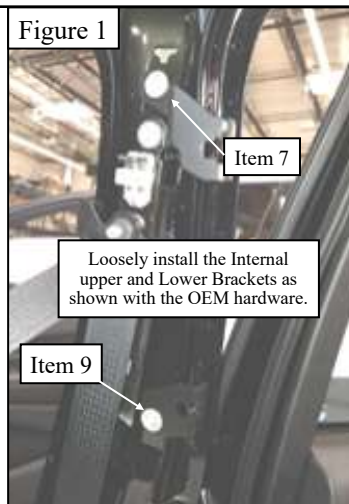


### PROCEDURE

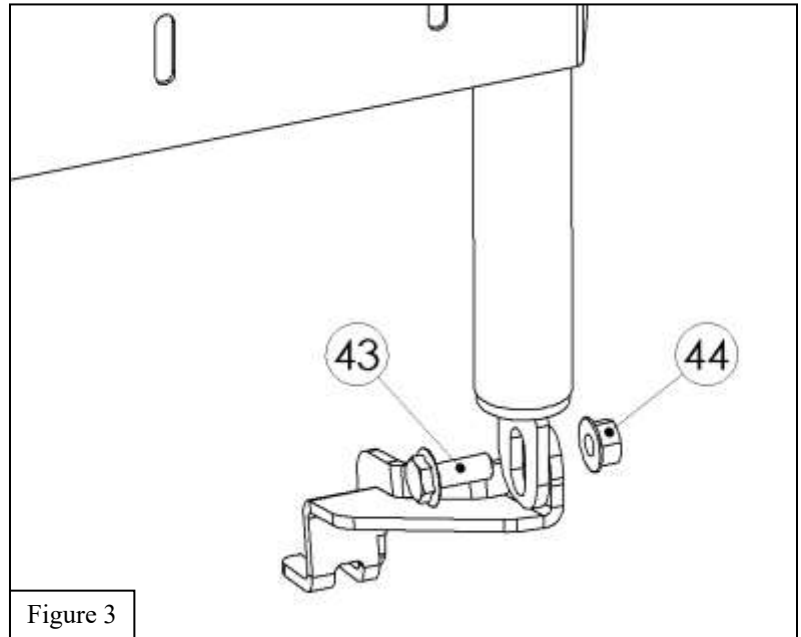
1. Remove contents from box, verify if all parts listed are present and free from damage. Carefully read and understand all instructions before attempting installation.  
**Failure to identify damage before installation could lead to a rejection of any claim.**

**Note:** Rear Partition (PN 35-12075) must be installed before proceeding with the Single Cell Partition. If Prisoner seat (PN 35-14075) needs to be installed, it must be installed with the Rear Partition.

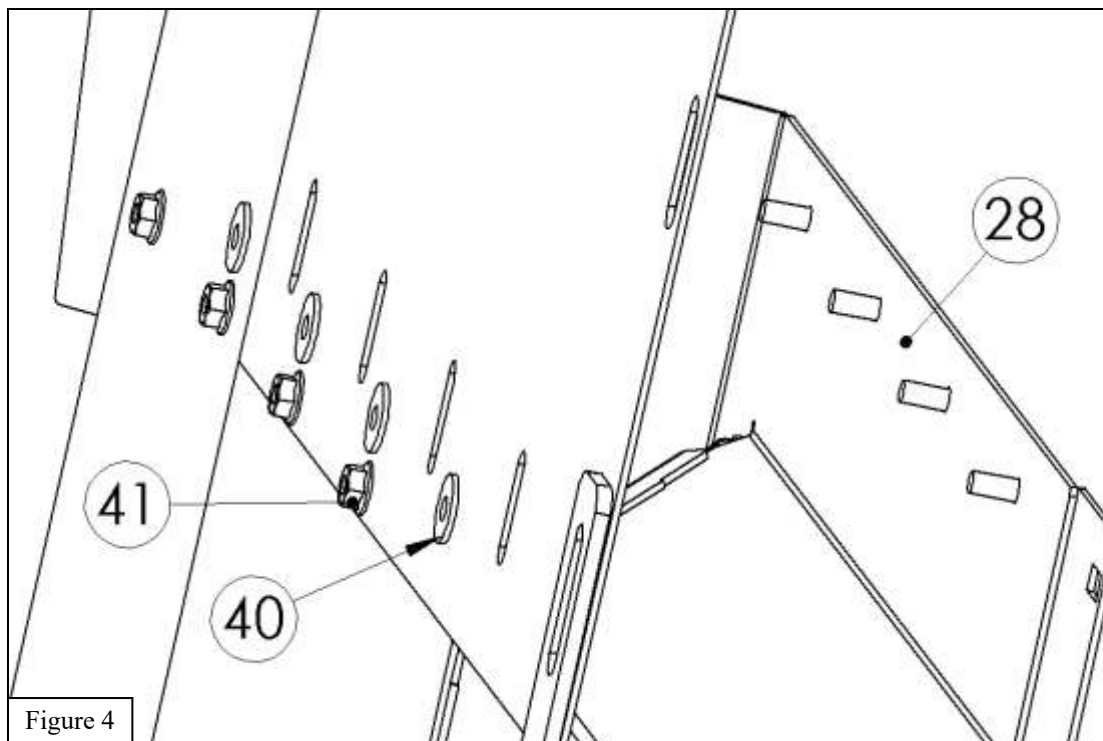
2. On the passenger side of the vehicle, pull back the rubber pillar trim near the door frame and pry back the center pillar trim molding to remove the two M6 bolts in order to remove the existing assist grip handles. **Note:** The assist grip handles will not be reused and may be discarded.
3. Using the OEM bolts holes and OEM hardware, loosely install the Internal Upper and Lower Brackets (Items 29-30) as shown in **Figure 1**.
4. Reinstall the center pillar trim and the rubber pillar trim once the Internal Brackets are installed. **Note:** Make sure that the Internal Brackets remain exposed on the mounting side facing the back of the vehicle to proceed with the installation.



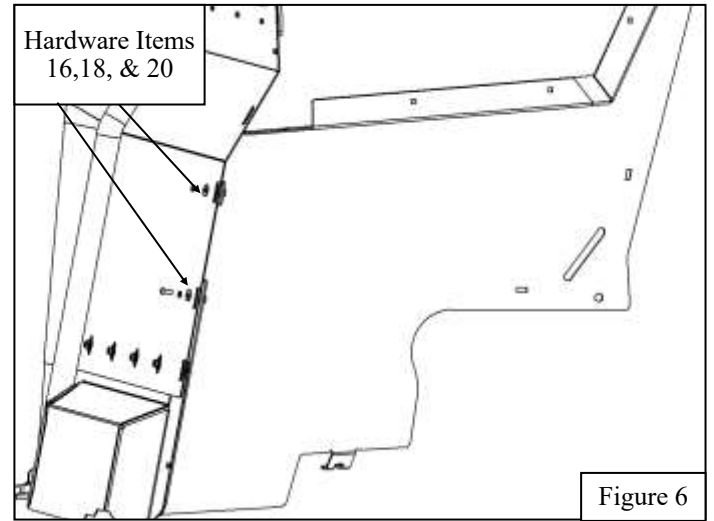
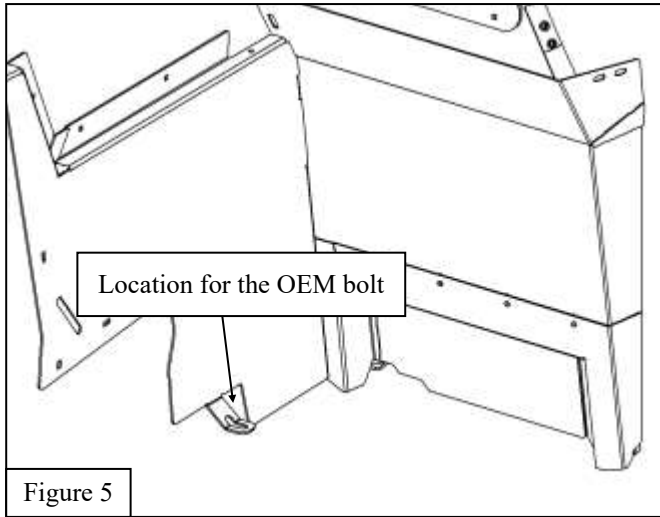
5. Remove the floor plastic covers from the two bolt locations accessible at the rear of the front seat.
6. Remove the two bolts at the rear mounting locations of the front seats.
7. Loosely attach the Bottom Bracket (**Item 32**) to the rear mounting locations using the OEM Hardware removed in **Step 6**. See **Figure 2** for reference.
8. Loosely attach the Front Passenger Partition (**Item 26**) to the bottom brackets using the supplied M10 Hardware. See **Figure 3** for reference.



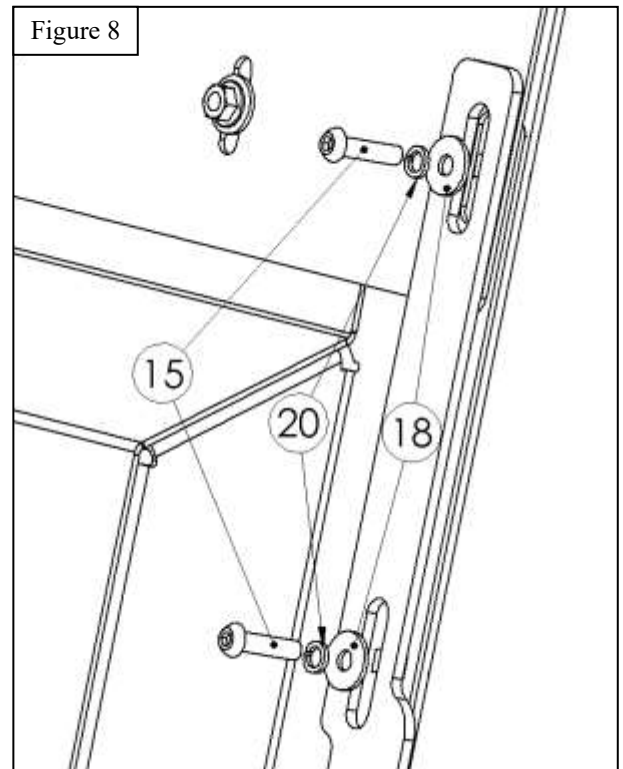
8. Assemble the Passenger Foot Pocket using the supplied M6 nuts and washers. See **Figure 4** for reference.



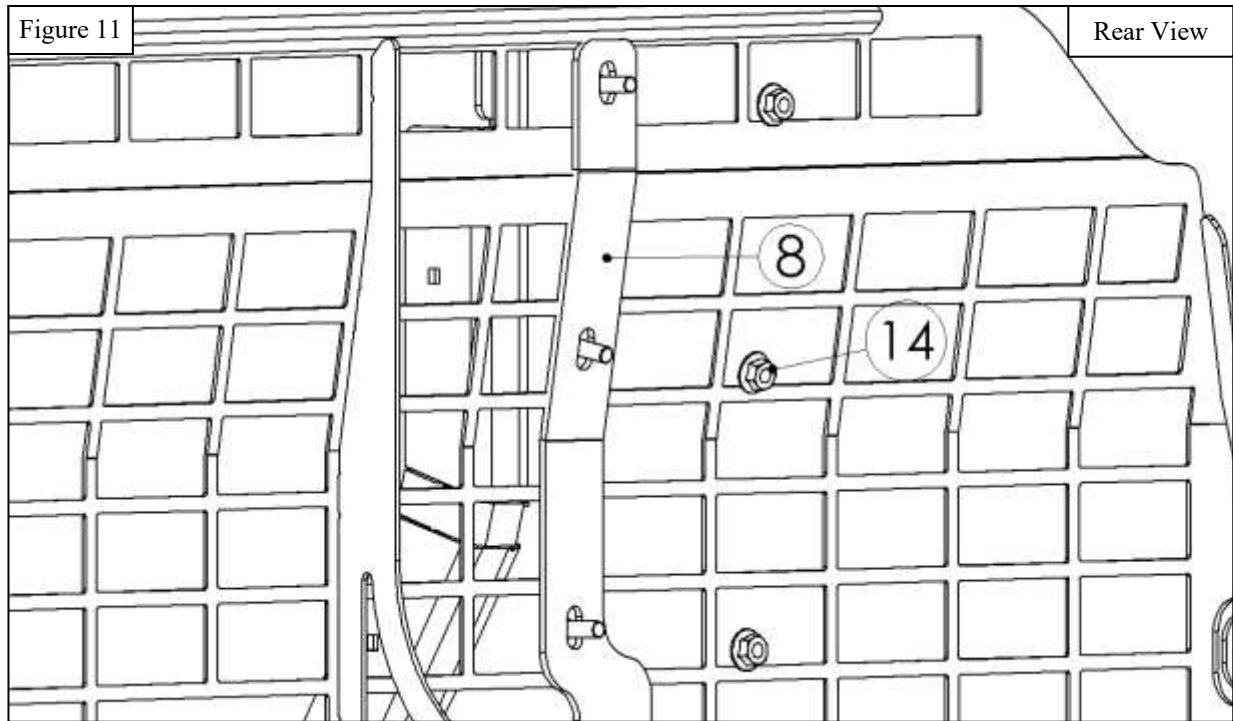
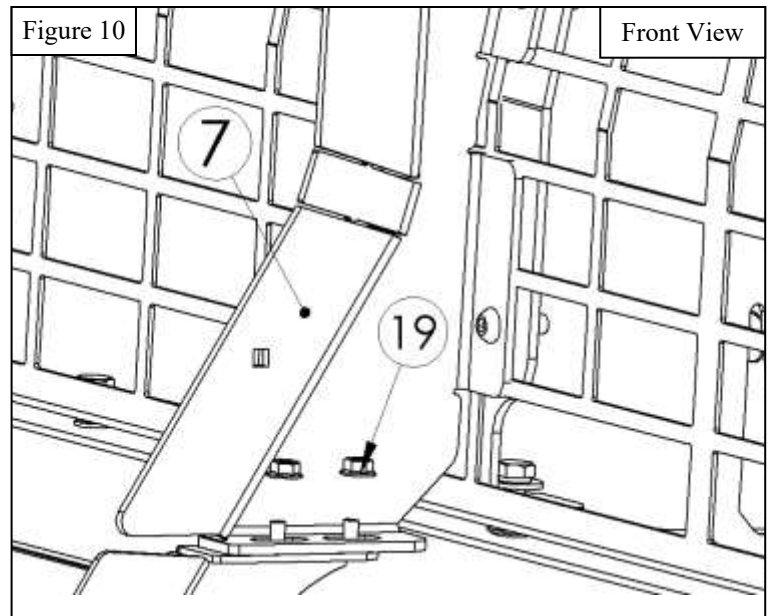
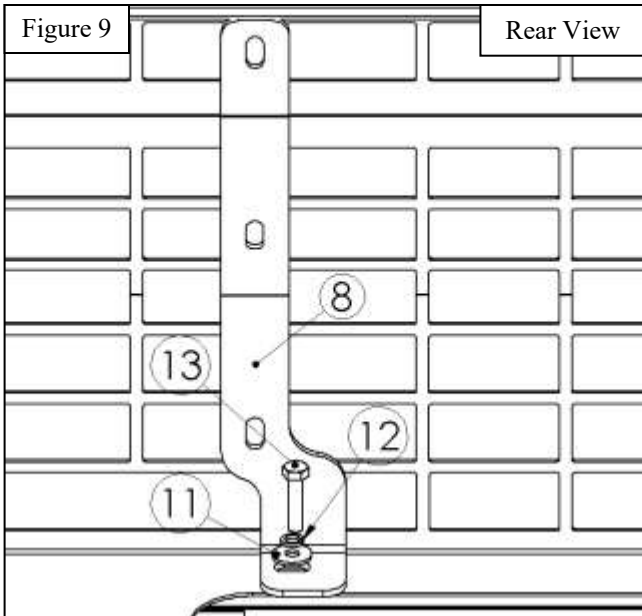
9. If the Prisoner Seat (PN 35-14075) was installed remove the OEM bolt located at the bottom of the Prisoner Seat. **Note:** If there is no prisoner seat installed in the vehicle, proceed the installation with the Single Seat Panel (OE seat) (Item 2).
10. Using the Hardware provided, loosely attach the Single Seat Panel (Prisoner Seat) (Item 1) to the Front Partition and to the bottom of the prisoner seat using the OEM bolt removed from Step 9. See Figure 5 & 6 for reference.



11. Loosely attach the strap to the rear mounting location using the OEM Hardware removed in Step 6. See Figure 7 for reference.
12. Using the Hardware provided, loosely attach the strap to the Front Passenger Partition and to the Single Seat Panel (Prisoner Seat) . See Figure 8 for reference.



13. Locate the Rear Window Frame (Item 7) and the Rear Backing Plate (Item 8). **Note:** Both of the items will be attached to the Rear Partition Frame.
14. Using the supplied Rear Backing Plate (Item 8), loosely mount the item in the back of the Rear Partition previously installed using the Hardware provided. See **Figure 9** for reference.
15. Place the Rear Window Frame (Item 7), through the grooves of the Rear Backing Plate and the studs that are located on the Single Seat Panel.
16. Using the Hardware provided, loosely attach the Rear Window Frame to the assembly. See **Figure 10-11** for reference.



17. Locate the Front Window Frame (**Item 6**) and Link Plate (**Item 9**).
18. Align the Front Window Frame and Link Plate as shown in **Figure 12**.
19. Using the Hardware provided, loosely attach both the Front Window Frame and Link Plate to the assembly.  
See **Figures 13-14** for reference.

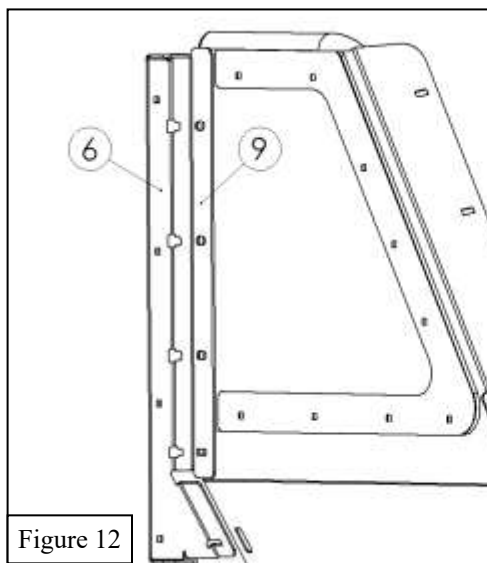


Figure 12

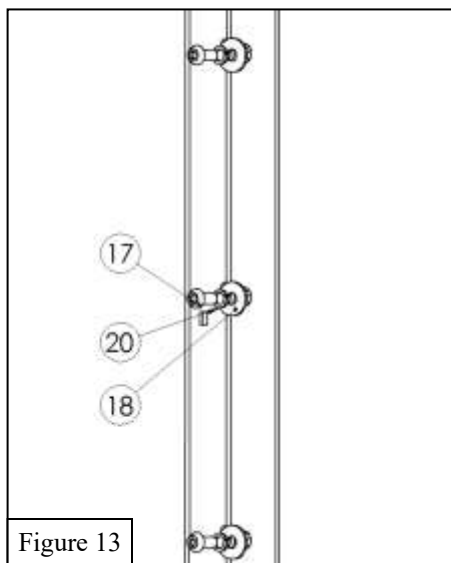


Figure 13

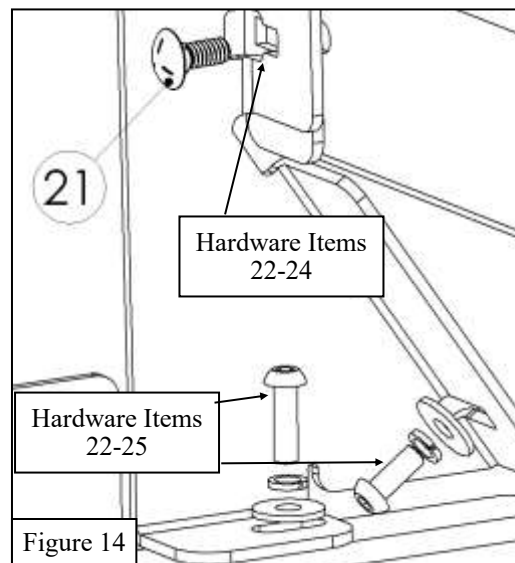


Figure 14

20. Loosely attach the Upper Window Frame (**Item 5**) using the Hardware provided. See **Figures 15-16** for reference.

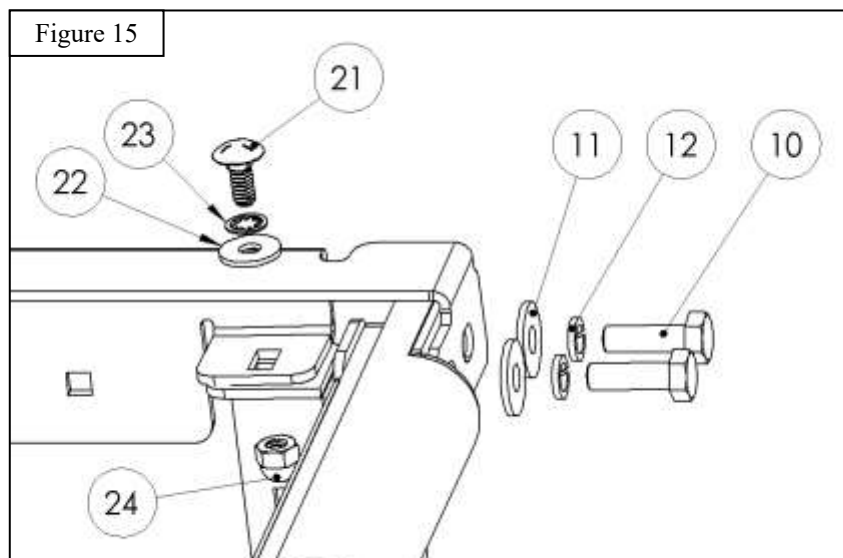


Figure 15

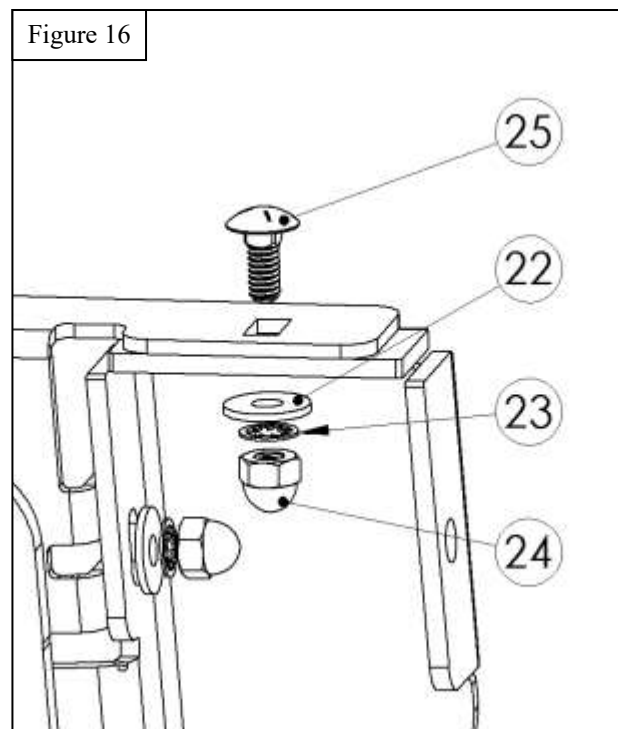
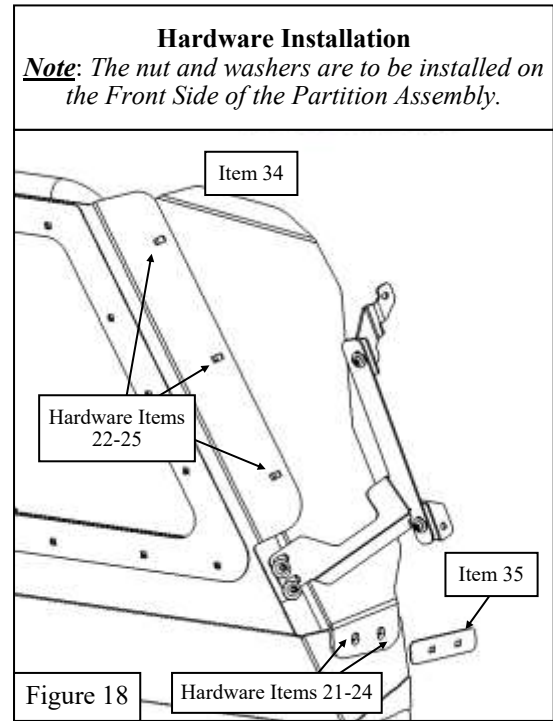
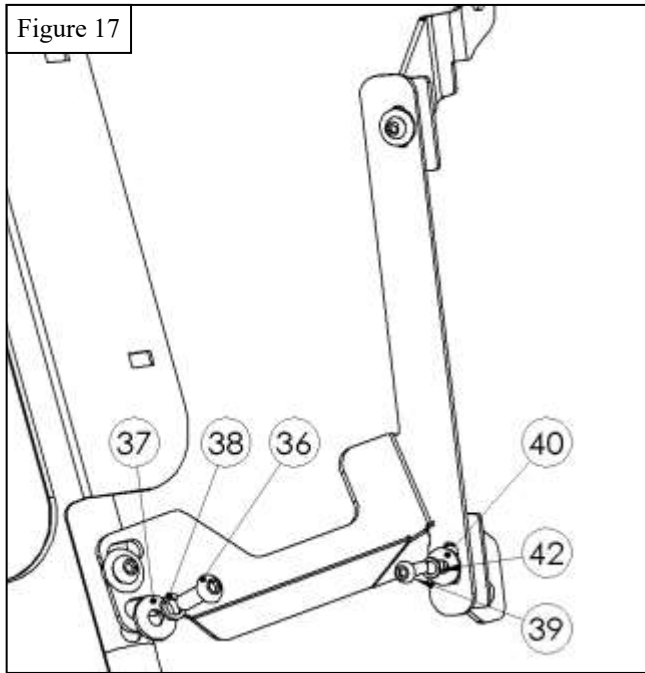
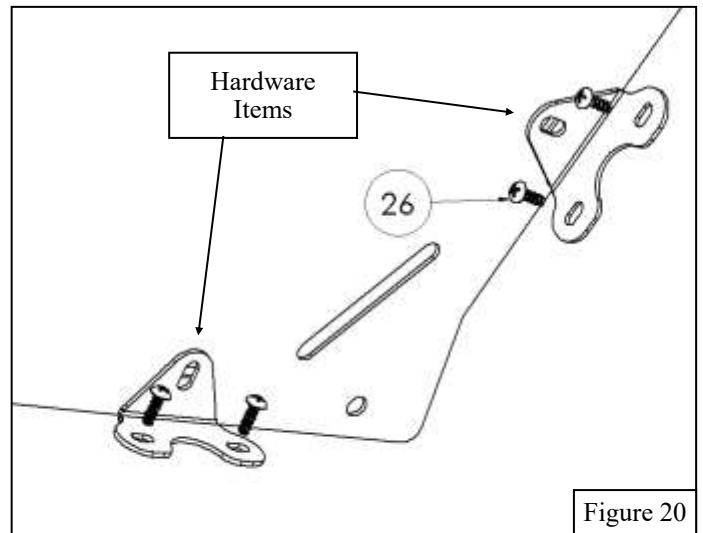
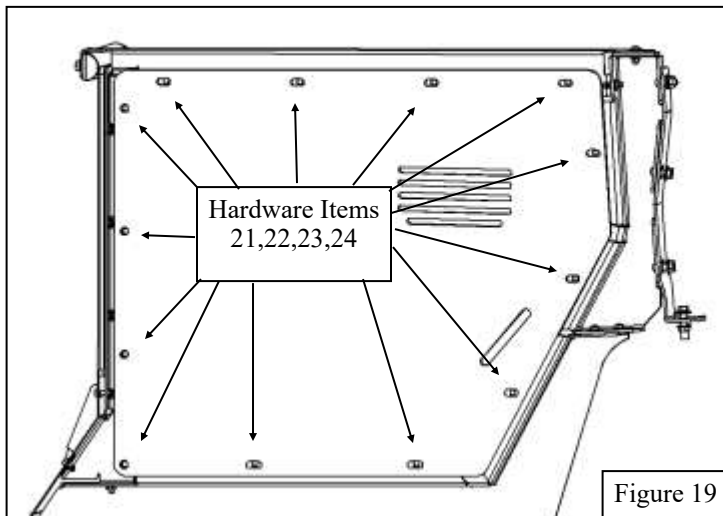


Figure 16

21. Using the supplied Upper Bracket (**Item 31**), loosely attach the Partition Assembly to the Internal Brackets using the supplied M6 and M8 Hardware. See **Figures 17** for reference.
22. Loosen the Upper Bracket hardware if needed in order to install the passenger Polycarbonate Windows (**Item 34**) with the supplied hardware and Window Plate (**Item 35**). **Note:** Make sure the Polycarbonate Windows are aligned properly with the roof of the vehicle. See **Figure 18** for reference.

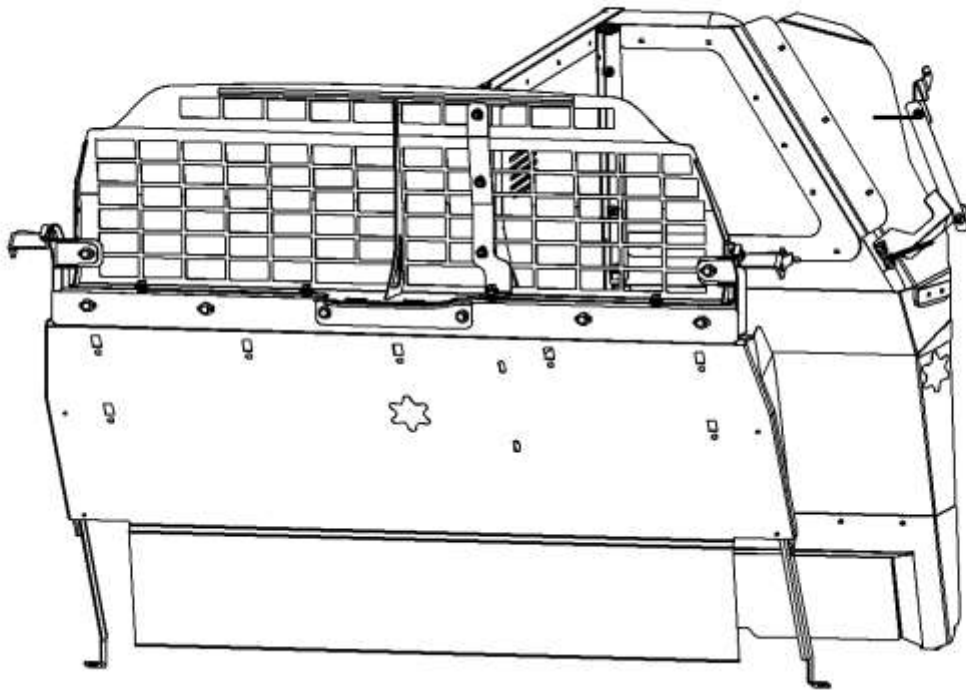
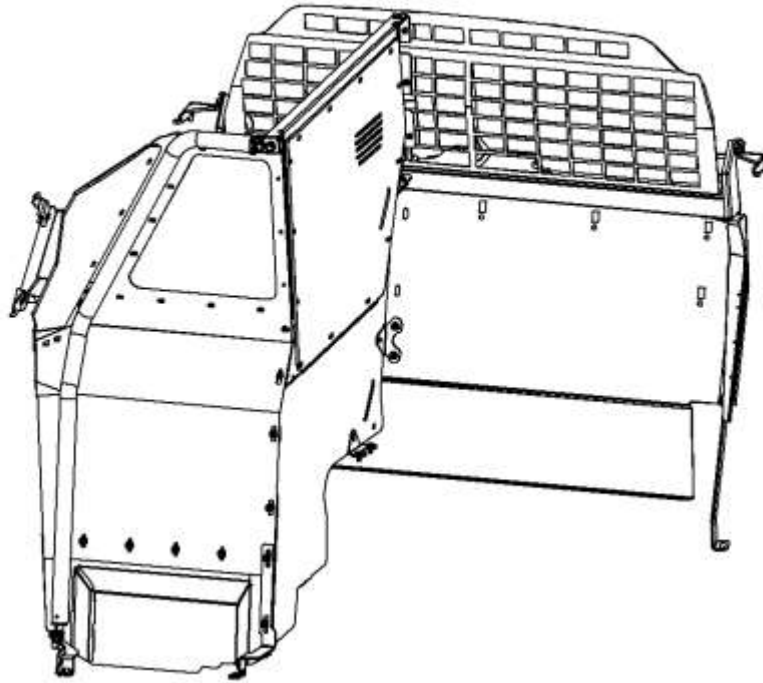


23. Align the Window Divider (**Item 4**) so that the holes on the brackets line up with the Window Divider. Use the hardware provided to keep the Window Divider in place. See **Figure 19** for reference.
24. Locate the Seat Bracket (Prisoner Seat) (**Item 3**), align and adjust the seat bracket as necessary with a mark that would indicate the location of the drilling location hole (**Size 3/16"**) on the prisoner seat. **Note:** If installing Single Seat Panel (OE seat) skip to **Step 26**.
25. Using the Hardware (**Item 26**) provided, loosely attach the brackets to the prisoner seat. See **Figure 20** for reference.
26. Align and adjust the Single Seat Panel Assembly, Front Passenger Partition, Mounting Brackets, and Polycarbonate Windows as necessary. Tighten and torque all hardware as specified M6 to 8-11 ft.-lbs., M8 to 15-18 ft.-lbs., and M10 to 35-38 ft.-lbs.





## INSTALLATION COMPLETE



### CARE INSTRUCTIONS

- REGULAR WAXING IS RECOMMENDED. DO NOT USE ANY TYPE OF POLISH OR WAX THAT MAY CONTAIN ABRASIVES.
- STAINLESS STEEL PRODUCTS CAN BE CLEANED WITH MILD SOAP AND WATER. STAINLESS STEEL POLISH SHOULD BE USED TO POLISH SMALL SCRATCHES.
- GLOSS BLACK FINISHES SHOULD BE CLEANED WITH MILD SOAP AND WATER.

**WESTIN**

Westin Automotive Products, Inc.  
320 W. Covina Blvd  
San Dimas, Ca. 91773

Thank you for choosing Westin products  
for additional installation assistance please call  
Customer Service (800) 793-7846

[www.westinautomotive.com](http://www.westinautomotive.com)



## WARNING



Failure to follow these instructions could lead to death, personal injury, and / or property damage.

Failure to follow these instructions could lead to death, personal injury, and / or property damage.

### FASTENERS:

All Westin supplied fasteners must be utilized and installed in accordance with the installation instructions and apply torque to the specifications as defined. **DOUBLE CHECK ALL FASTENERS BEFORE INITIAL USE, AND PERIODICALLY IN THE FUTURE TO ENSURE PROPER FUNCTION AND SAFETY.**

### DRILLING:

Most Westin products do not require drilling for installation. If drilling is defined as required, use caution when drilling a vehicle. **FAILURE TO REVIEW AN AREA TO BE DRILLED MAY RESULT IN PERSONAL INJURY AND/OR INJURY TO OTHERS AS WELL AS VEHICLE DAMAGE.**

### EYE PROTECTION:

**ALWAYS WEAR SAFETY GLASSES OR GOGGLES DURING THE INSTALLATION PROCESS TO AVOID PERSONAL INJURY.**

### MAXIMUM TOWING/CARRYING CAPACITY: (if applicable)

The Westin Receiver Hitches will have a visible tow rating label affixed directly on the product. User should never exceed the vehicle manufacturers maximum tow and weight rating regardless of the capacity of the hitch. **FAILURE TO FOLLOW THESE GUIDELINES WILL VOID THE WESTIN WARRANTY AND MAY RESULT IN PERSONAL INJURY AND/OR INJURY TO OTHERS AS WELL AS VEHICLE DAMAGE.**

### FOR CALIFORNIA RESIDENTS ONLY-PROP 65 WARNING:

Some products may contain chemicals such as DEHP, which can cause cancer, birth defects or other reproductive harm. For more info go to [www.p65warnings.ca.gov](http://www.p65warnings.ca.gov)



Westin Automotive Products, Inc.  
320 W. Covina Blvd  
San Dimas, Ca. 91773