

INSTALLATION INSTRUCTIONS

DEFENDER POLY REAR PARTITION



APPLICATION: 2021-2022 Chevrolet Tahoe PPV

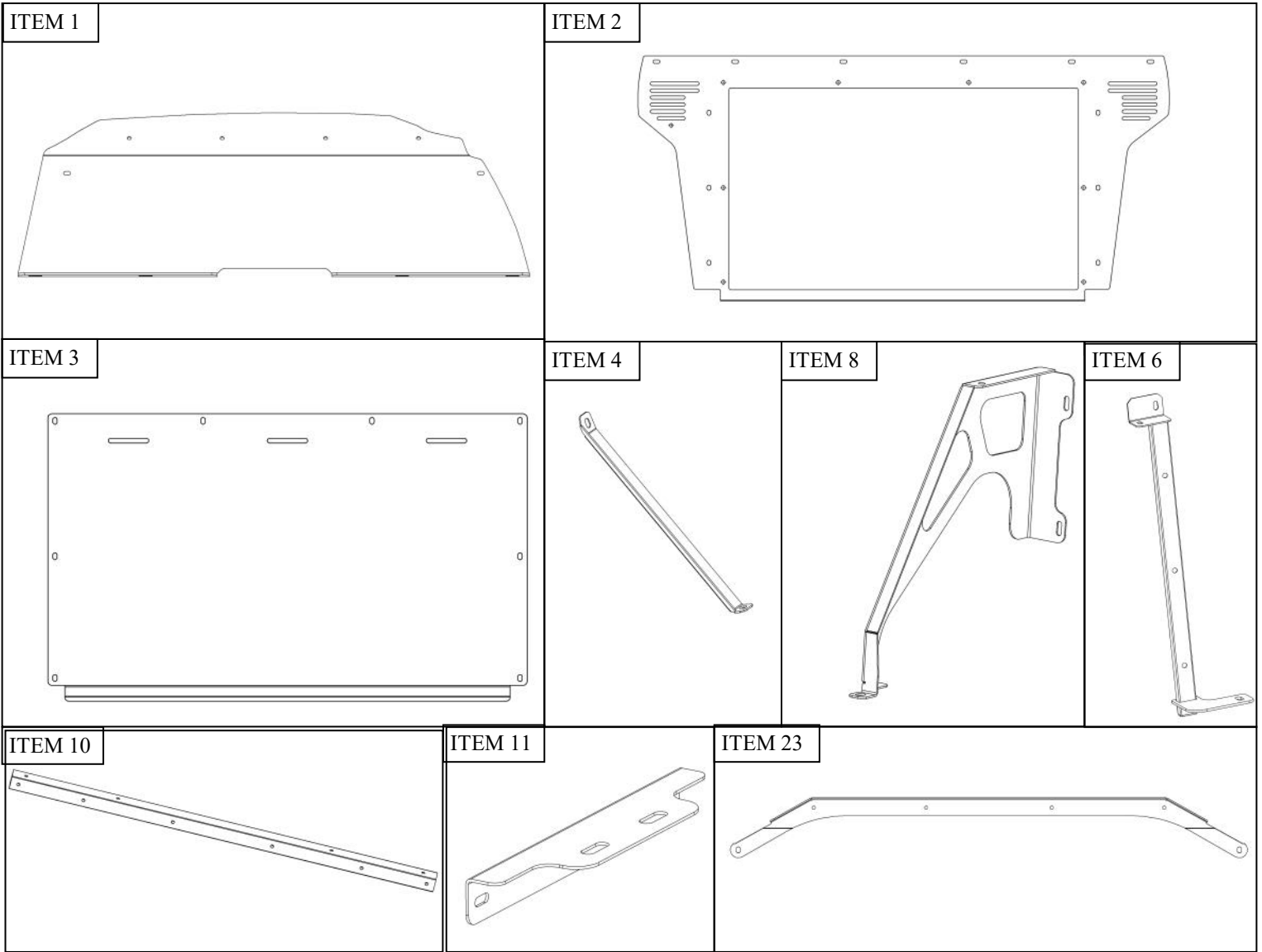
PART NUMBER: 35-220652

CONTENT			
ITEM	QUANTITY	DESCRIPTION	TOOLS NEEDED
1	1	WINDOW	10MM SOCKET
2	1	FILLER PANEL	13MM SOCKET
3	1	FILLER PANEL DOOR	RATCHET
4	1	DRIVER STRAP	TORQUE WRENCH
5	1	PASSENGER STRAP	TRIM TOOL
6	1	DRIVER MOUNING BRACKET	4MM ALLEN
7	1	PASSENGER MOUNTING BRACKET	5MM ALLEN
8	1	DRIVER UPRIGHT	18MM SOCKET
9	1	PASSENGER UPRIGHT	15MM SOCKET
10	1	CROSS FRAME	
11	1	BELT SUPPORT BRACKET	
12	26	M8 HEX HEAD BOLT SHORT	
13	4	M8 HEX HEAD BOLT LONG	
14	2	M8 BUTTON HEAD BOLT	
15	4	M8 HEX FLANGE NUT	
16	32	M8 FLAT WASHER	
17	28	M8 LOCK WASHER	
18	2	M10 FLANGE BOLT	
19	2	M12 FLANGE BOLT	
20	4	M6 BUTTON HEAD BOLT	
21	4	M6 HEX HEAD NUT	
22	4	M6 FLAT WASHER	
23	1	WINDOW FRAME	

ANTI-SEIZE LUBRICANT MUST BE USED ON ALL STAINLESS STEEL FASTENERS TO PREVENT THREAD DAMAGE AND GALLING

PROCEDURE

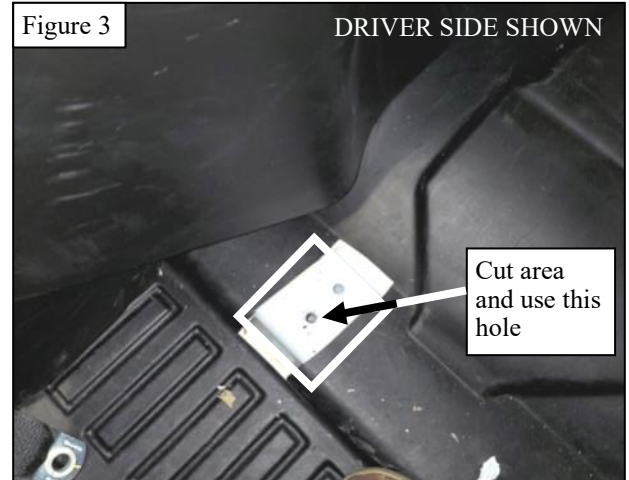
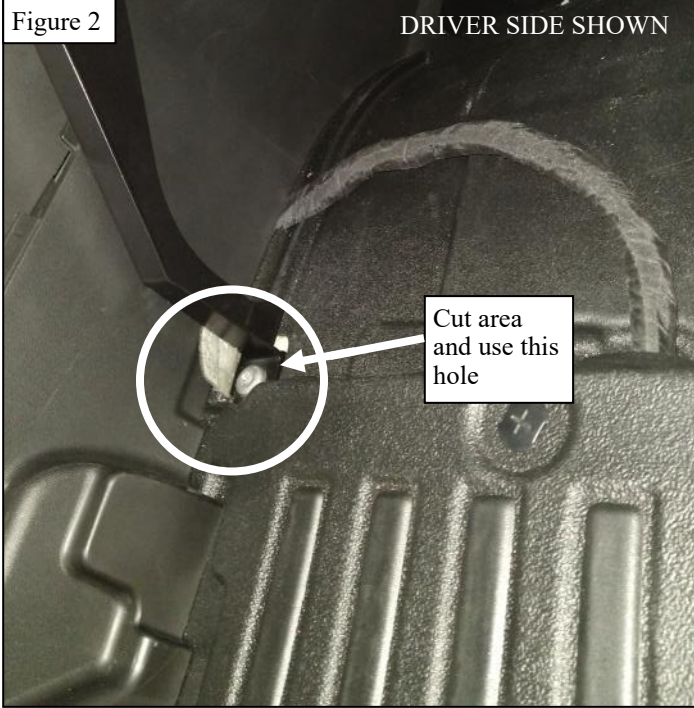
1. Remove contents from box, verify if all parts listed are present and free from damage.
Carefully read and understand all instructions before attempting installation.
Failure to identify damage before installation could lead to a rejection of any claim.



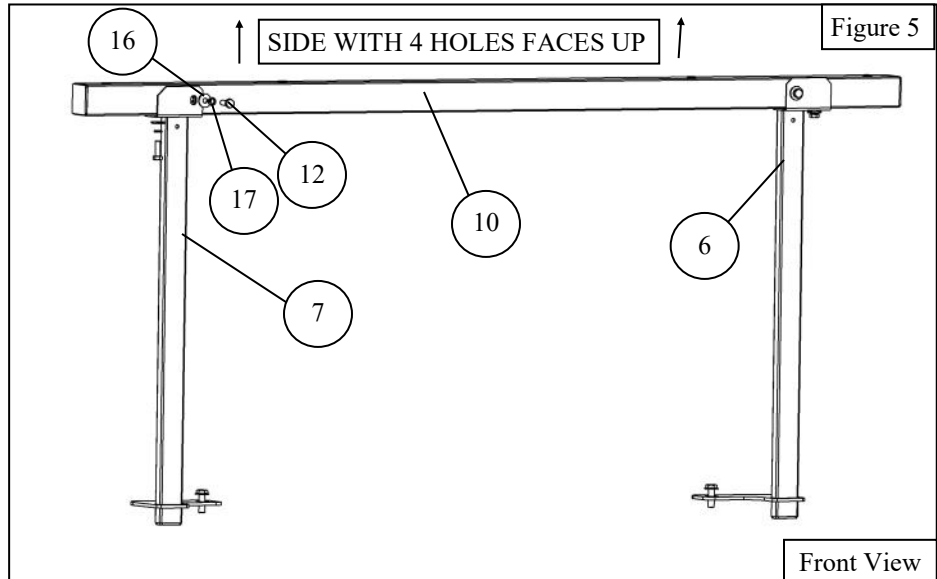
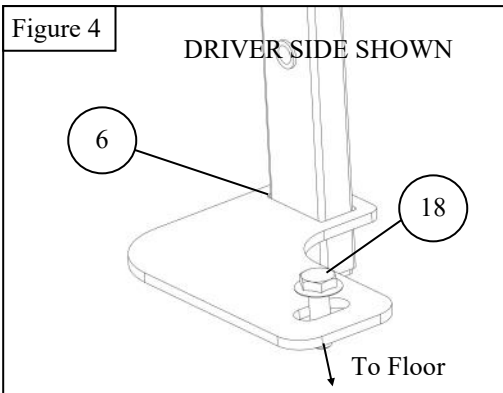
2. Roll and flip the rear seats toward the front of the vehicle for easy access. See **Figure 1**



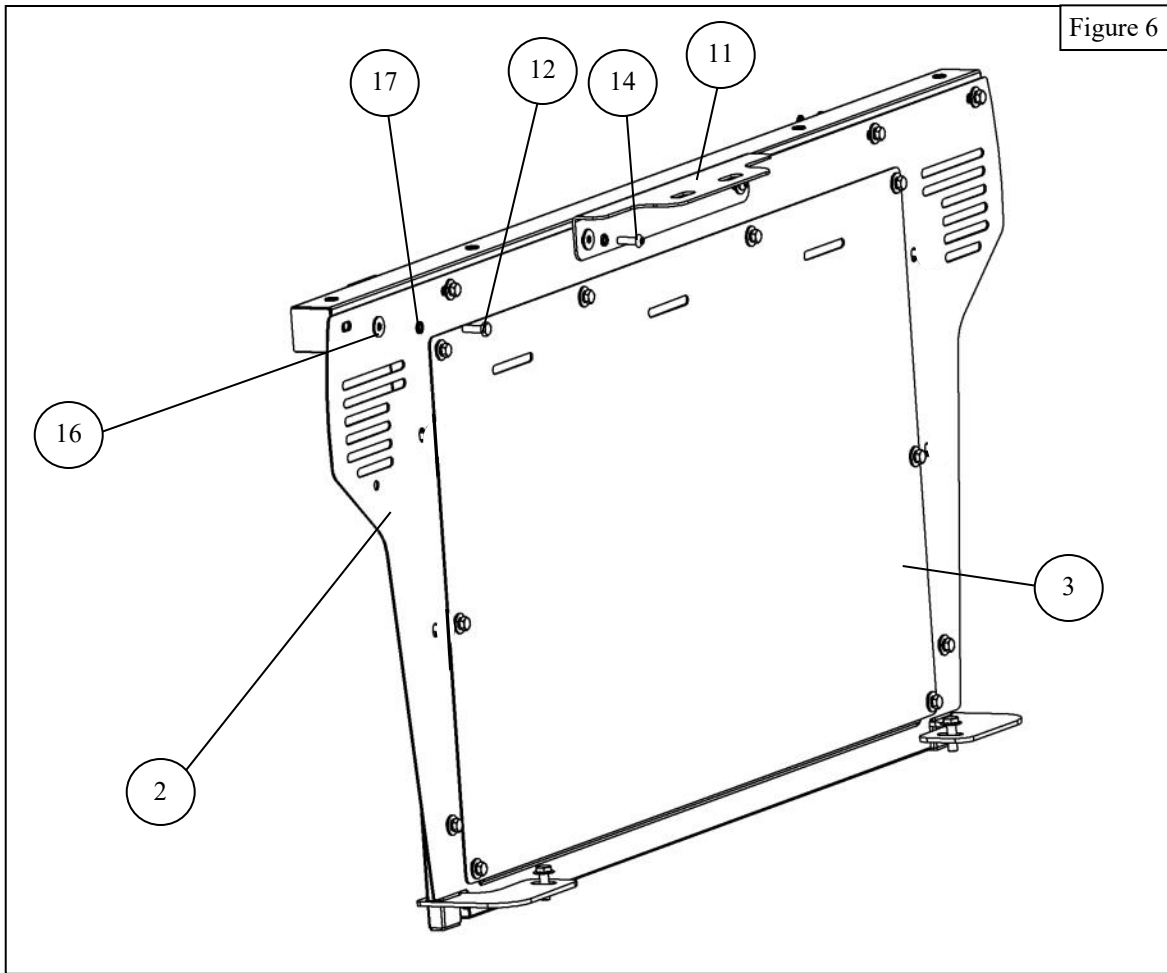
3. Locate the two rear holes on the floor for the upright brackets. Cut away enough rubber flooring just to access the holes. The front-most holes are 36.4 inches apart. The rear-most holes are 48 inches apart. *Note: if there are studs near the mounting holes, cut them off.* See **Figure 2-3**



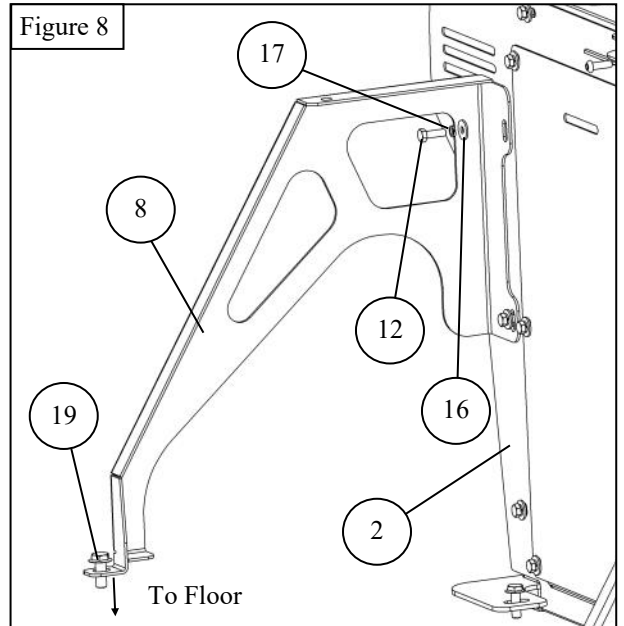
4. Locate the driver and passenger main mounting brackets (6,7). Loosely install the main brackets in the front holes you located using supplied M10 hardware. See **Figures 3 & 4**.
5. Assemble the cross frame to the mounting brackets using supplied M8 hardware 12 (short bolt) 16 & 17. See **Figure 5**



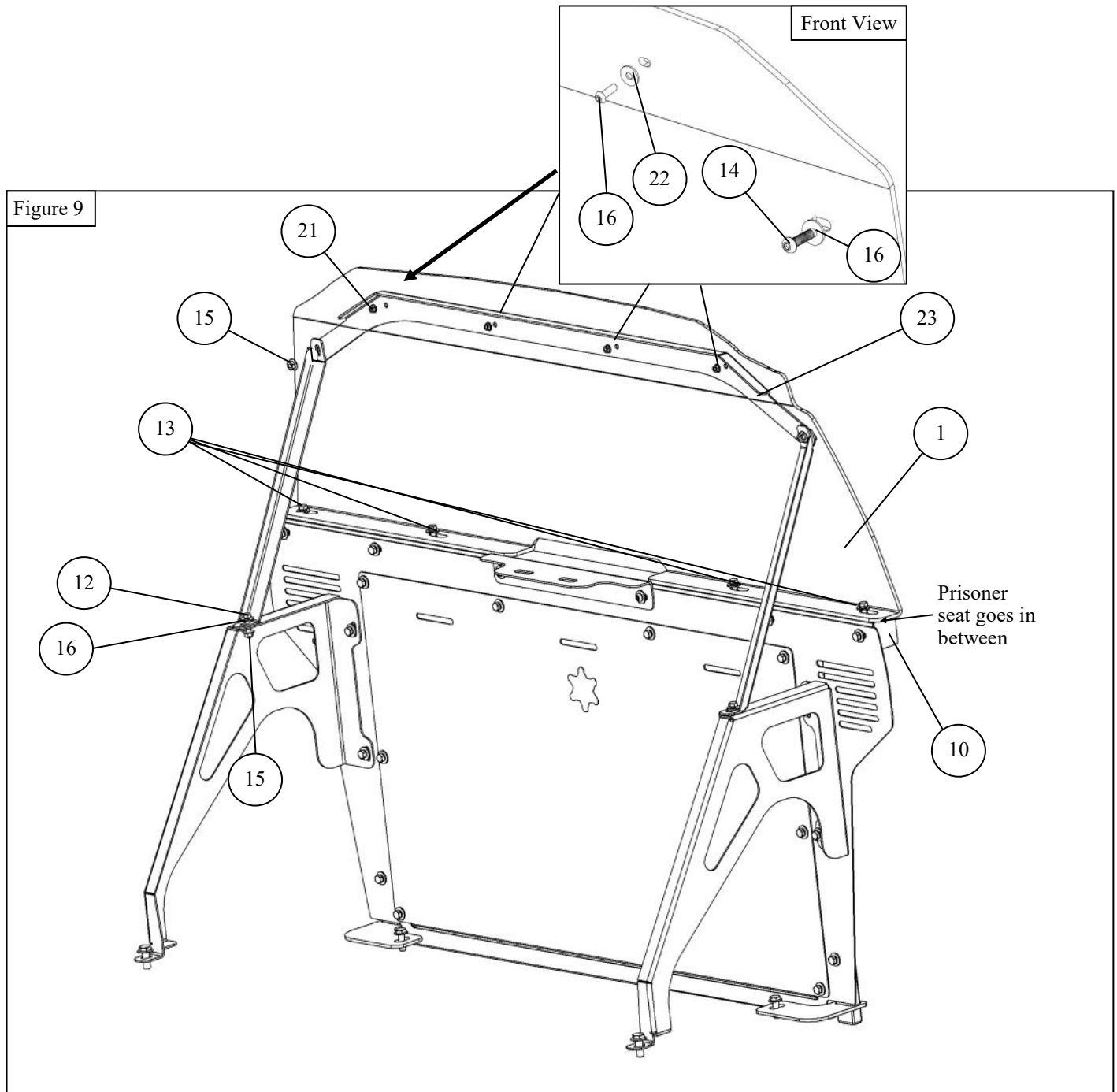
6. Using supplied M8 hardware 12 (short bolt) 16 & 17, loosely assemble the filler panel. After, loosely install the filler panel door. See Figure 6



7. Locate the driver/passenger uprights (8,9). Using supplied M8 hardware 12 (short bolt) 16 & 17, Assemble the uprights to the outer filler panel. See Figure 7 & 8. and use the M12 Flange bolt (19) to install the upright in the vehicle's floor.



8. If you are installing the optional prisoner seat (35-14065), do so at this time. The prisoner seat will mount in between the cross frame and upper screen. **See Figure 9**
9. Locate the window (1) and window frame(23). Using supplied M6 hardware, install the frame to the window. **See Figure 9**
10. Locate the window assembly and driver/passenger straps (4,5). Using supplied M8 hardware 13 (long bolt) 16 & 17, loosely assemble the window assembly to the cross frame. Mount the straps to the uprights and window assembly. Using M8 Hardware 14, 16 & 15 at the top holes in the window (1) (Item 14, bolt's round head must be facing the vehicle's front) and M8 Hardware 12 (short bolt), 16 & 15 on to the uprights holes (8, 9) **See Figure 9**

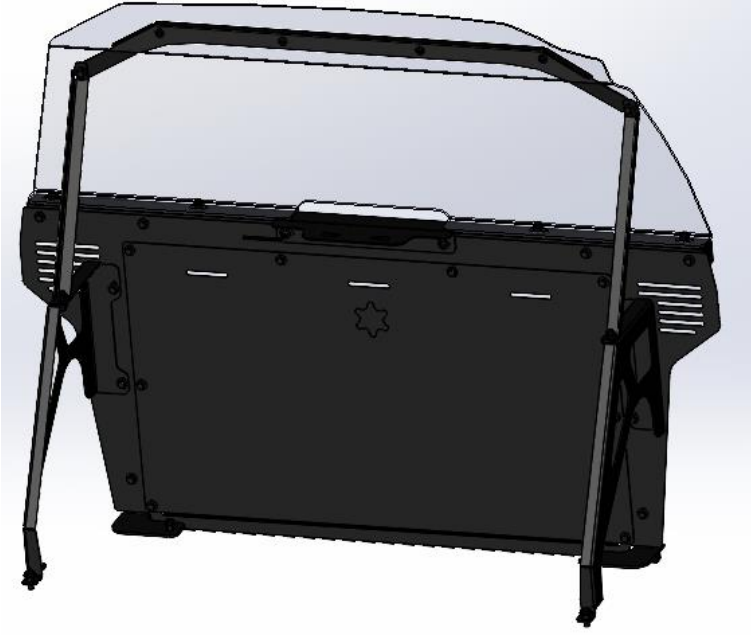


11. Adjust as needed and torque as specified: M6 to 5-7 ft. lbs. M8 to 15-18 ft. lbs., M10 to 35-38 ft. lbs., M12 to 50 ft. lbs.

**INSTALLATION COMPLETE
IMAGE SHOWN WITH METAL SCREEN INSTALLED**



IMAGES BELOW SHOW POLYCARBONATE WINDOW INSTALLED



CARE INSTRUCTIONS

- REGULAR WAXING IS RECOMMENDED. DO NOT USE ANY TYPE OF POLISH OR WAX THAT MAY CONTAIN ABRASIVES.
- STAINLESS STEEL PRODUCTS CAN BE CLEANED WITH MILD SOAP AND WATER. STAINLESS STEEL POLISH SHOULD BE USED TO POLISH SMALL SCRATCHES.
- GLOSS BLACK FINISHES SHOULD BE CLEANED WITH MILD SOAP AND WATER.

WESTIN Westin Automotive Products, Inc.
320 W. Covina Blvd
San Dimas, Ca. 91773

Thank you for choosing Westin products
for additional installation assistance please call
Customer Service (800) 793-7846
www.westinautomotive.com



WARNING



Failure to follow these instructions could lead to death, personal injury, and / or property damage.

Failure to follow these instructions could lead to death, personal injury, and / or property damage.

FASTENERS:

All Westin supplied fasteners must be utilized and installed in accordance with the installation instructions and apply torque to the specifications as defined. **DOUBLE CHECK ALL FASTENERS BEFORE INITIAL USE, AND PERIODICALLY IN THE FUTURE TO ENSURE PROPER FUNCTION AND SAFETY.**

DRILLING:

Most Westin products do not require drilling for installation. If drilling is defined as required, use caution when drilling a vehicle. **FAILURE TO REVIEW AN AREA TO BE DRILLED MAY RESULT IN PERSONAL INJURY AND/OR INJURY TO OTHERS AS WELL AS VEHICLE DAMAGE.**

EYE PROTECTION:

ALWAYS WEAR SAFETY GLASSES OR GOGGLES DURING THE INSTALLATION PROCESS TO AVOID PERSONAL INJURY.

MAXIMUM TOWING/CARRYING CAPACITY: (if applicable)

The Westin Receiver Hitches will have a visible tow rating label affixed directly on the product. User should never exceed the vehicle manufacturers maximum tow and weight rating regardless of the capacity of the hitch. **FAILURE TO FOLLOW THESE GUIDELINES WILL VOID THE WESTIN WARRANTY AND MAY RESULT IN PERSONAL INJURY AND/OR INJURY TO OTHERS AS WELL AS VEHICLE DAMAGE.**

FOR CALIFORNIA RESIDENTS ONLY-PROP 65 WARNING:

Some products may contain chemicals such as DEHP, which can cause cancer, birth defects or other reproductive harm. For more info go to www.p65warnings.ca.gov



Westin Automotive Products, Inc.
320 W. Covina Blvd
San Dimas, Ca. 91773