

# INSTALLATION INSTRUCTIONS



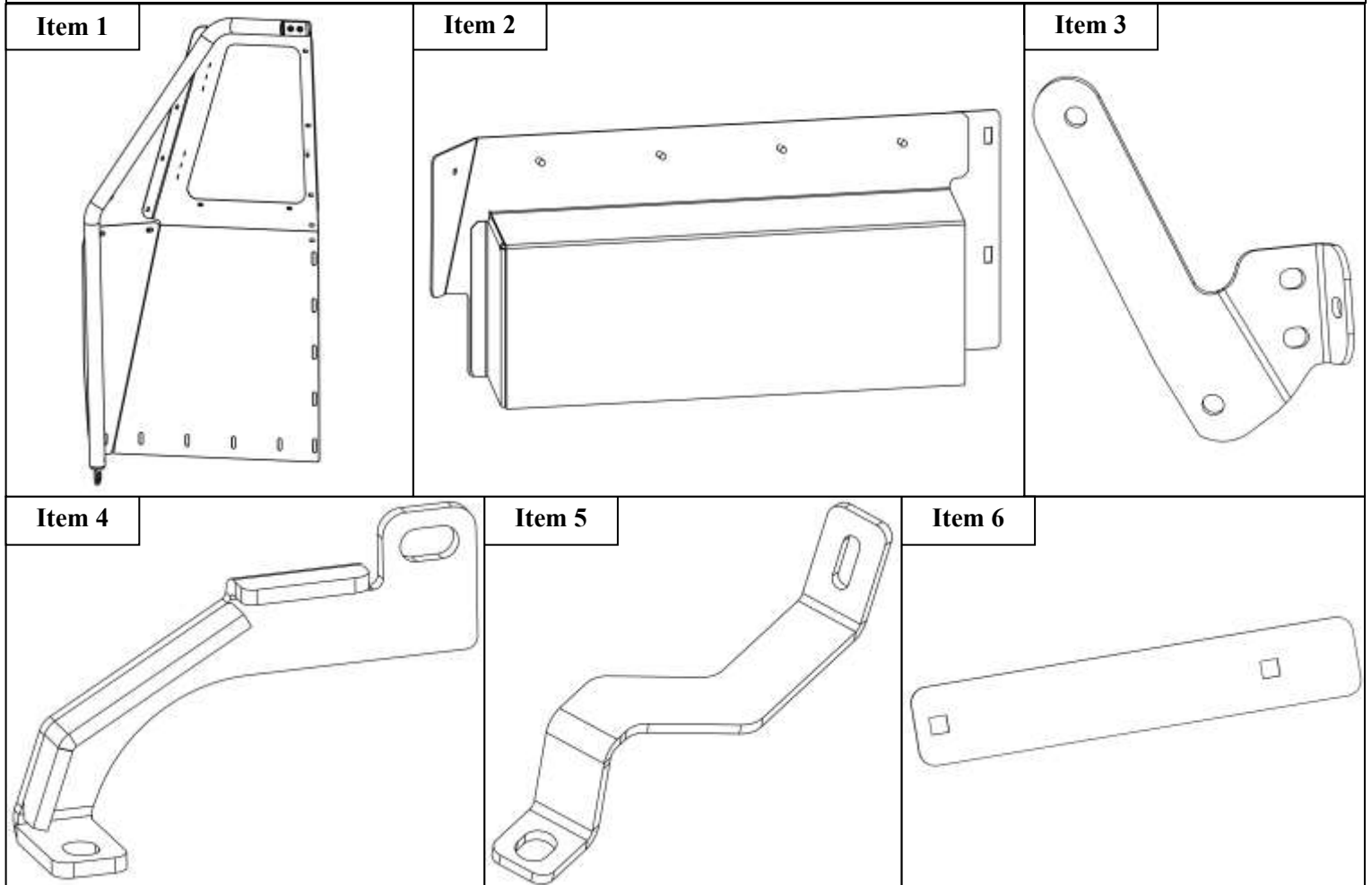
**DEFENDER SINGLE CELL PARTITION**  
**APPLICATION:**  
**2020 - 2023 FORD POLICE INTERCEPTOR UTILITY (PIU)**  
**PART NUMBER:**  
**35-210085**

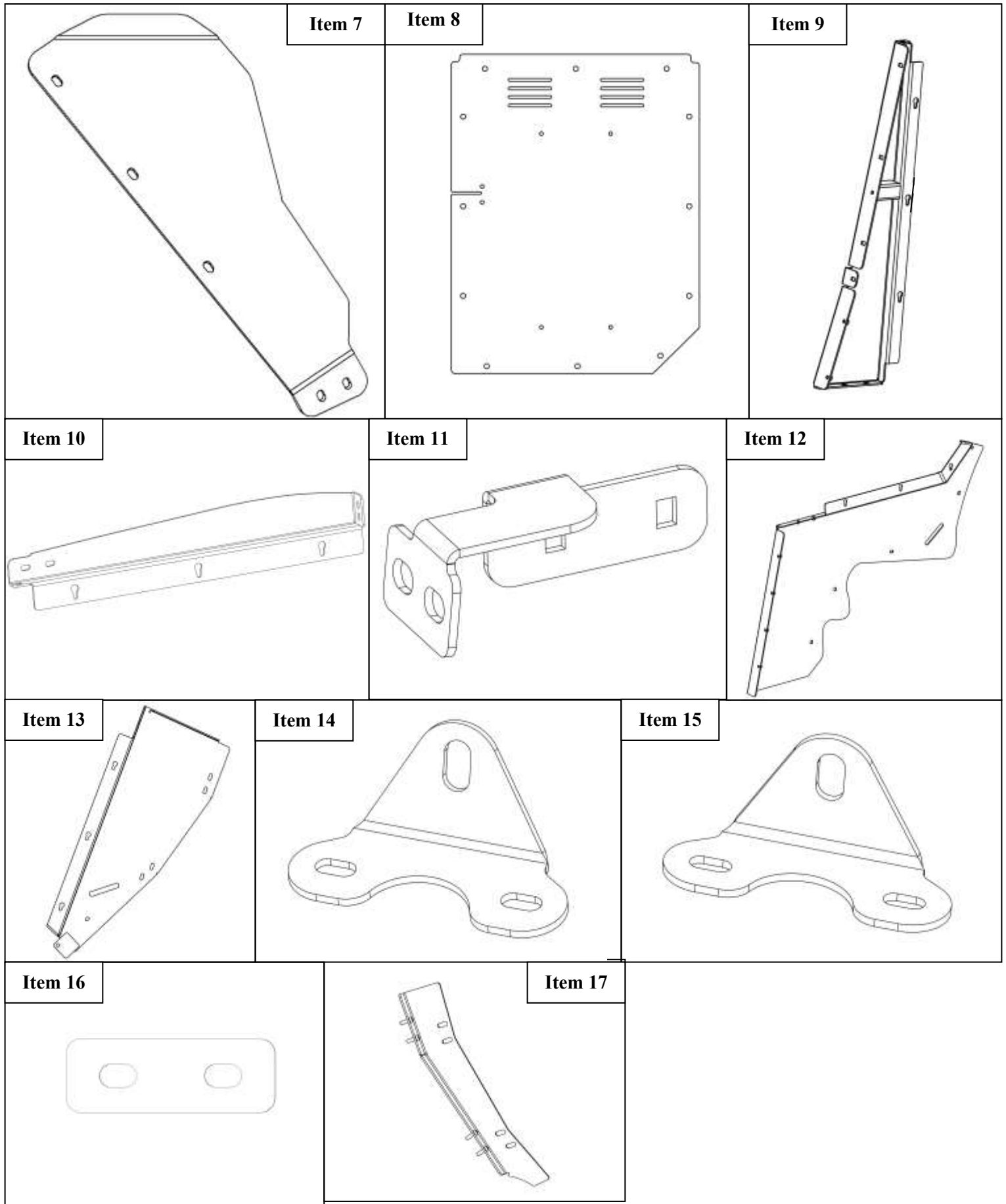
<b>CONTENT</b>			
ITEM	QUANTITY	DESCRIPTION	TOOLS NEEDED
1	1	FRONT PASSENGER PARTITION	10MM SOCKET
2	1	PASSENGER FEET POCKET	10MM WRENCH
3	1	UPPER PASSENGER MOUNT BRACKET	13MM SOCKET
4	1	MOUNTING PASSENGER BRACKET	13MMWRENCH
5	1	PASSENGER STRAP	16MM SOCKET
6	1	CARRIAGE BOLT PLATE	16MM WRENCH
7	1	POLYCARBONATE AIRBAG PASSENGER RELIEF	7/16" SOCKET
8	1	POLYCARBONATE SINGLE CELL WINDOW	RATCHET
9	1	FRONT WINDOW FRAME	TORQUE WRENCH
10	1	UPPER WINDOW FRAME	4MM ALLEN WRENCH
11	1	MOUNT TAB	5MM ALLEN WRENCH
12	1	LOWER WINDOW FRAME	PHILLIPS SCREWDRIVER
13	1	REAR WINDOW FRAME	
14	1	FRONT SEAT BRACKET	
15	1	REAR SEAT BRACKET	
16	2	UPPER REAR MOUNT PLATE	
17	1	UPPER REAR MOUNT BRACKET W/ M8	
18			
19	25	1/4" MEDIUM CARRIAGE BOLT	
20	44	1/4" THICK FLAT WASHER	
21	40	1/4" INTERNAL TOOTH WASHER	
22	40	1/4" A-CORN NUT	
23	13	1/4" SHORT CARRIAGE BOLT	
24	3	1/4" LONG CARRIAGE BOLT	
25	4	PHILLIPS PAN HIGH LOW SCREW FULLY THREADED	
26	2	M8 HEX HEAD SCREW	
27	3	M8 BUTTON HEAD CAP SCREW	
28	3	M8 BIG FLAT WASHER	
29	2	M8 SMALL FLAT WASHER	
30	5	M8 SPLIT LOCK WASHER	

**ANTI-SEIZE LUBRICANT MUST BE USED ON ALL STAINLESS STEEL FASTENERS TO PREVENT THREAD DAMAGE AND GALLING**

31	4	M8 SERRATE FLANGE NUT	
32	2	M6 LONG BUTTON HEAD CAP SCREW	
33	2	M6 MEDIUM BUTTON HEAD CAP SCREW	
34	6	M6 SHORT BUTTON HEAD CAP SCREW	
35	9	M6 BIG FLAT WASHER	
36	6	M6 SMALL FLAT WASHER	
37	5	M6 SERRATE FLANGE NUT	
38	10	M6 SPLIT LOCK WASHER	
39	1	M10 SERRATE FLANGE BOLT	
40	1	M10 SERRATE FLANGE NUT	

**ANTI-SEIZE LUBRICANT MUST BE USED ON ALL STAINLESS STEEL FASTENERS TO PREVENT THREAD DAMAGE AND GALLING**

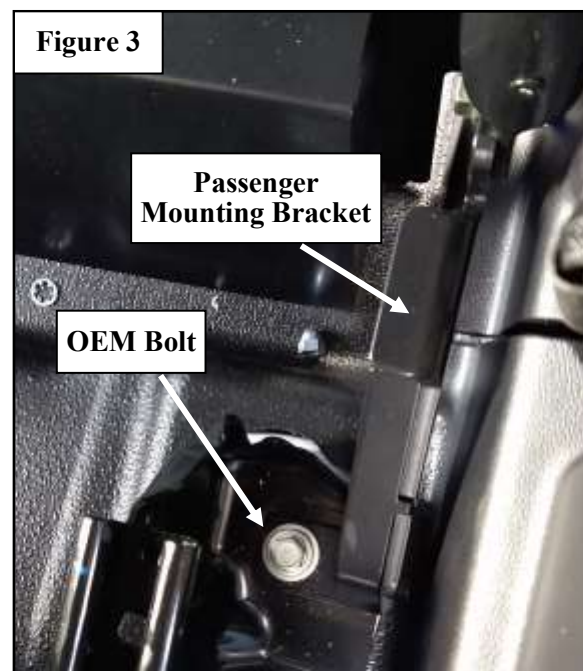
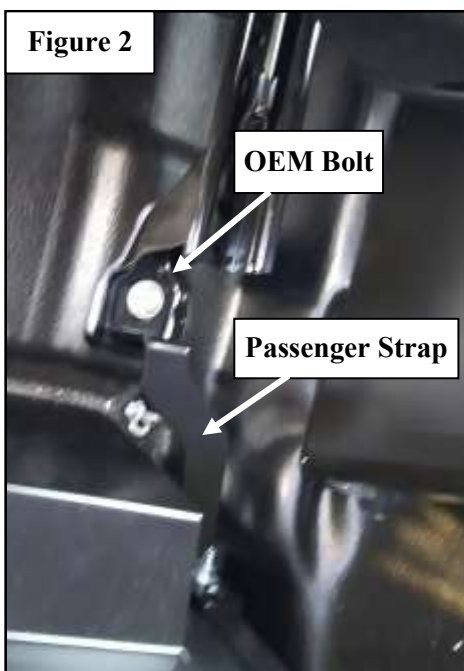
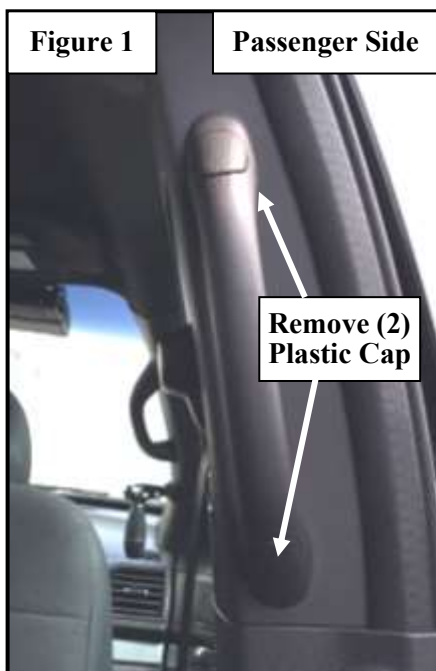




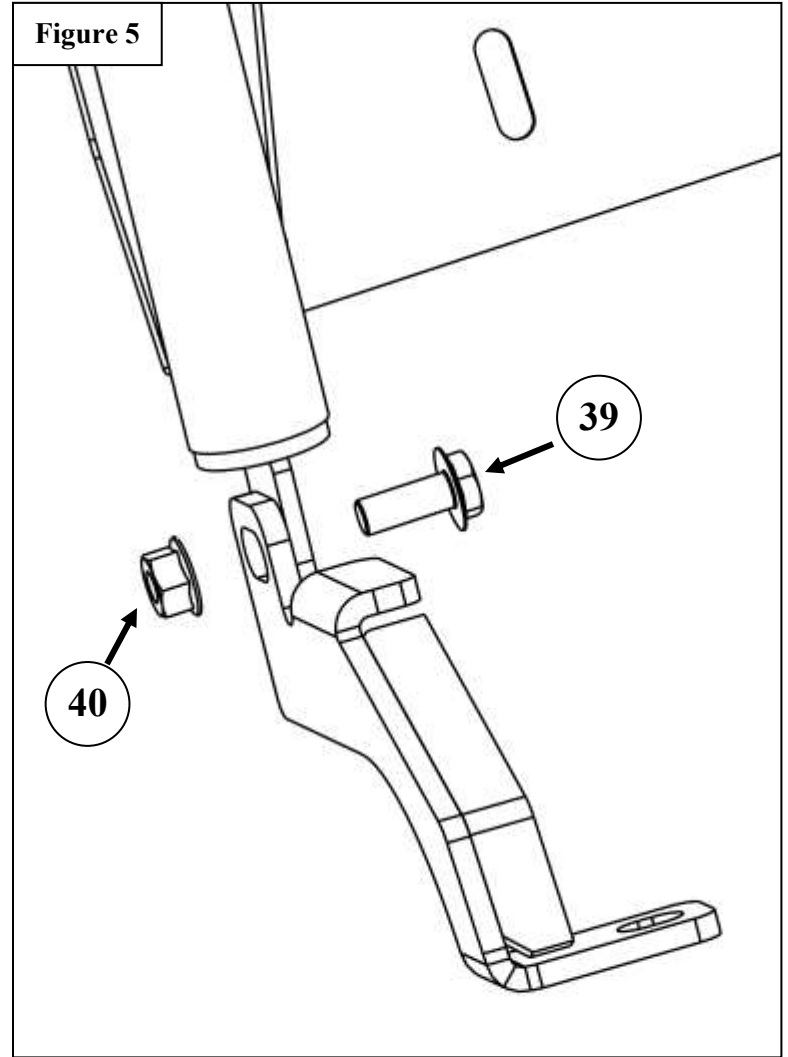
## PROCEDURE

1. Remove contents from box, verify if all parts listed are present and free from damage. Carefully read and understand all instructions before attempting installation.  
**Failure to identify damage before installation could lead to a rejection of any claim.**

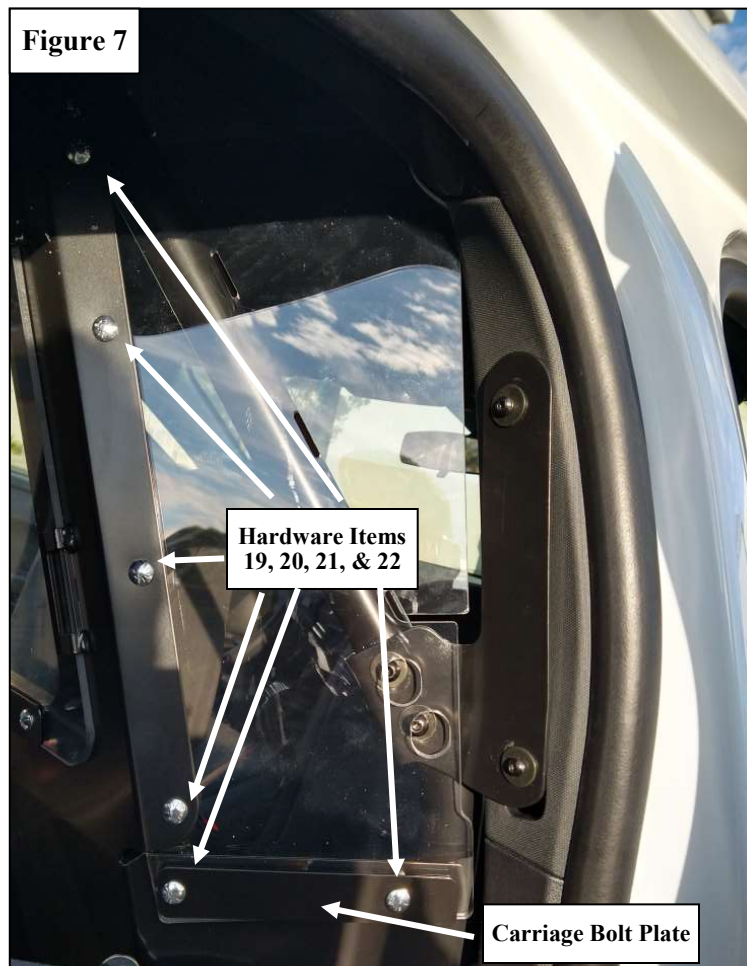
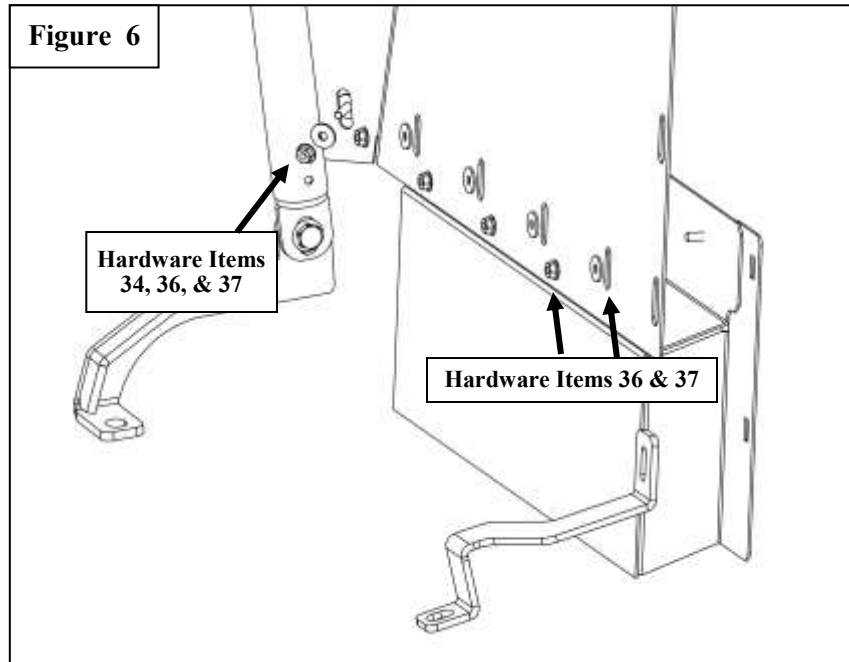
2. **NOTE: If installing 35-10085-D Driver side partition. Please use install sheets from 35-10085-D, then continue with the installation at step 11 from this install sheet.**
3. Start the installation by moving both the driver and passenger seats as far as possible to have enough room to move around. This will also expose OEM bolts on the passenger sides.
4. Remove the rear passenger handles by removing (2) plastic caps to expose the (2) bolts underneath. Remove the bolts to remove the handle. See **Figure 1** for reference.
5. Remove the OEM bolts that were exposed in **Step 2**.
6. With the OEM bolts that were removed loosely install the Mounting Passenger Bracket (**Item 4**) and Passenger Strap (**Item 5**) to the floor. See **Figure 2 & 3** for reference.



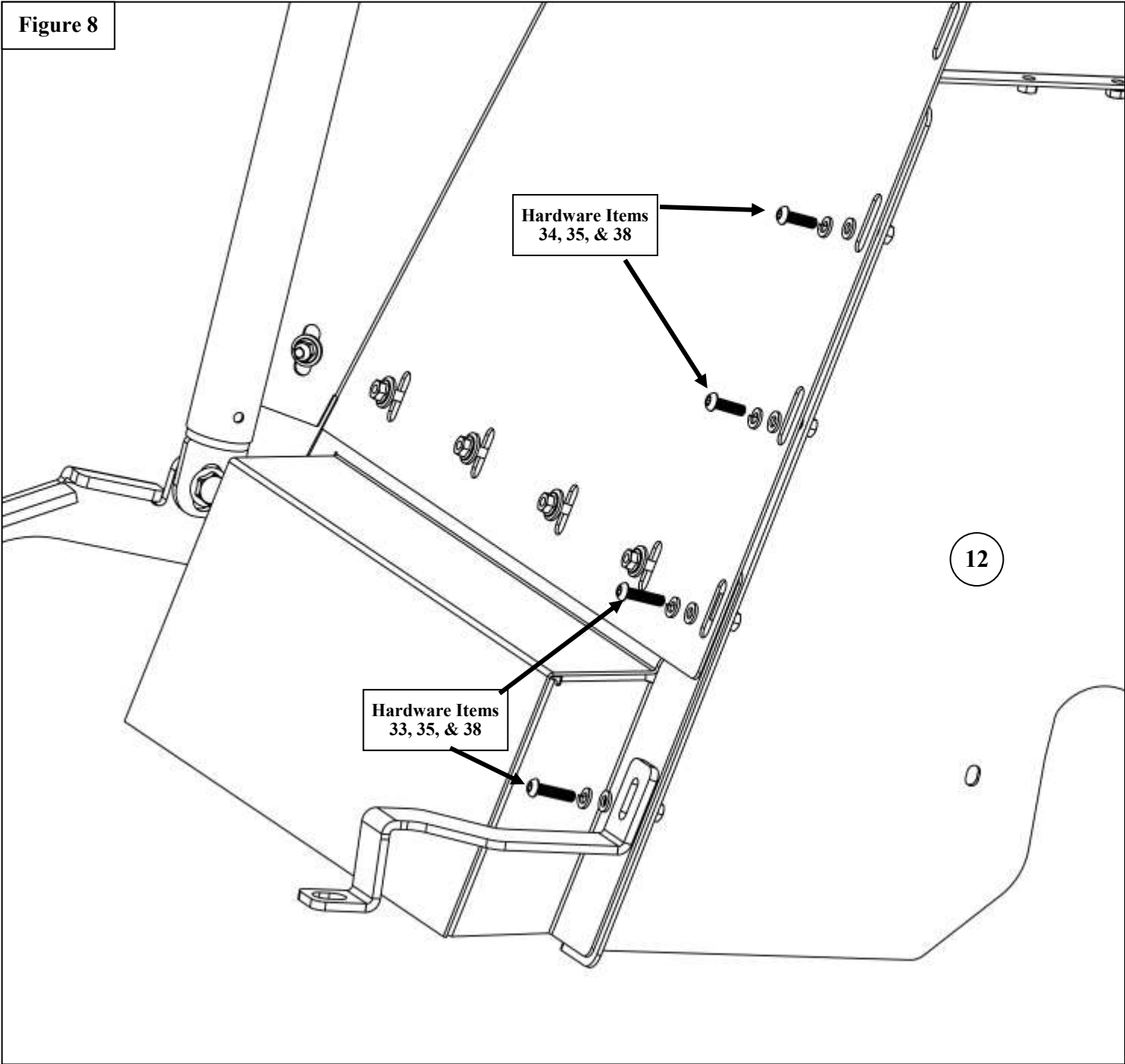
6. Locate the Upper Passenger Mount Bracket (**Item 4**) and loosely install using the provided hardware. See **Figure 4** for reference.
7. Using the hardware provided loosely attach the Front Passenger Partition (**Item 1**) to the Mounting Passenger Bracket (**Item 4**). See **Figure 5** for reference.
8. Using the hardware provided attach the Upper Passenger Mount Bracket (**Item 3**) to the Front Passenger Partition (**Item 1**). See **Figure 4** for reference.



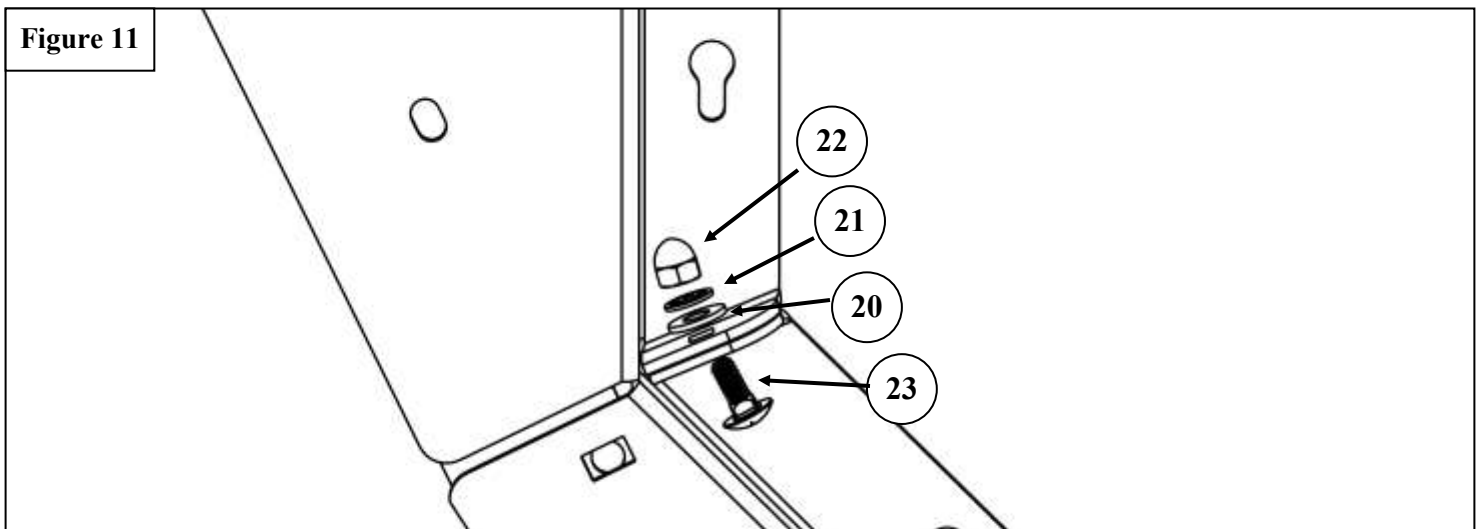
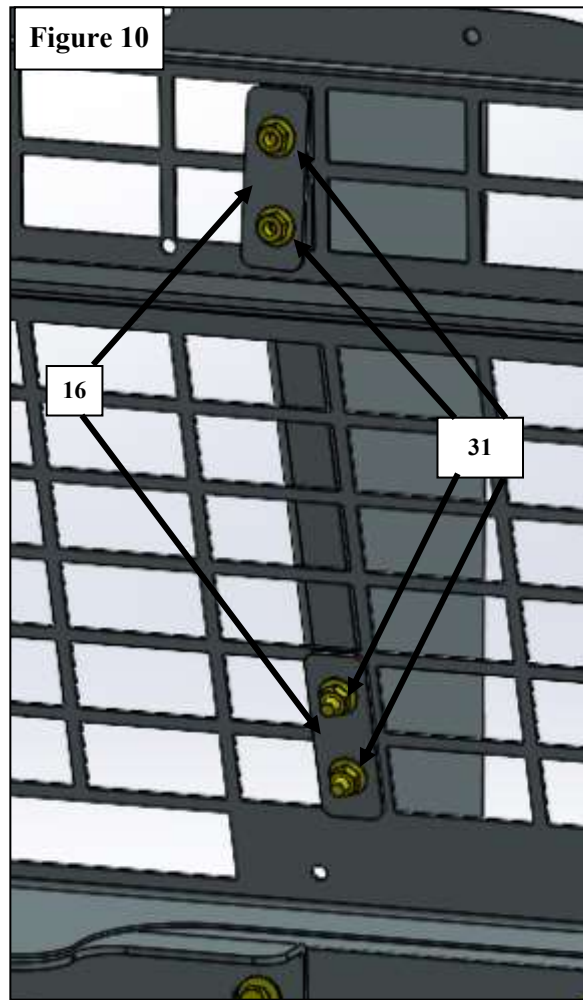
9. Using the provided hardware loosely attach the Passenger Feet Pocket (**Item 2**) to the Front Passenger Partition (**Item 12**). See **Figure 6** for reference.
10. Locate the Polycarbonate Passenger Air Bag Relief (**Item 17**) and Carriage Bolt Plate (**Item 6**) loosely install it to the Front Passenger Partition (**Item 1**). See **Figure 7** for reference.



11. Using the hardware provided, loosely attach the Lower Window Frame (**Item 12**) to the Front Passenger Partition (**Item 1**). See **Figure 8** for reference.
12. Using the hardware provided, loosely attach the Passenger Strap (**Item 5**) to the Front Passenger Partition (**Item 1**) and to the Lower Window Frame (**Item 12**). See **Figure 8** for reference.



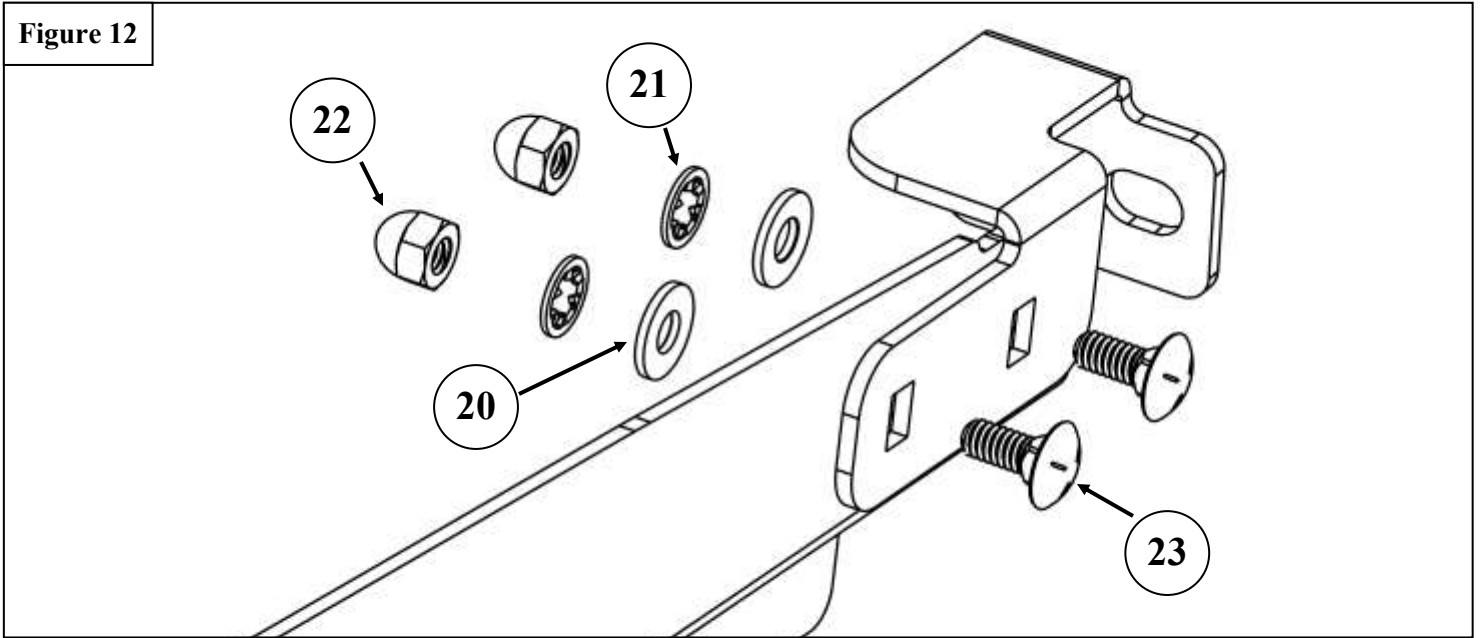
13. Locate the Upper Rear Mount Bracket W/ M8 (Item 17) and attach it to the Rear Window Frame (Item 13). See Figure 9 for reference.
14. Using the provided hardware, attach the Upper Rear Mount Plates (Item 16) to the Defender Rear Partition (Part # 35-12045). See Figure 10 for reference.
15. Using the provided hardware, loosely assemble the Rear Window Frame (Item 13) to the Lower Window Frame (Item 12). See Figure 11 for reference.



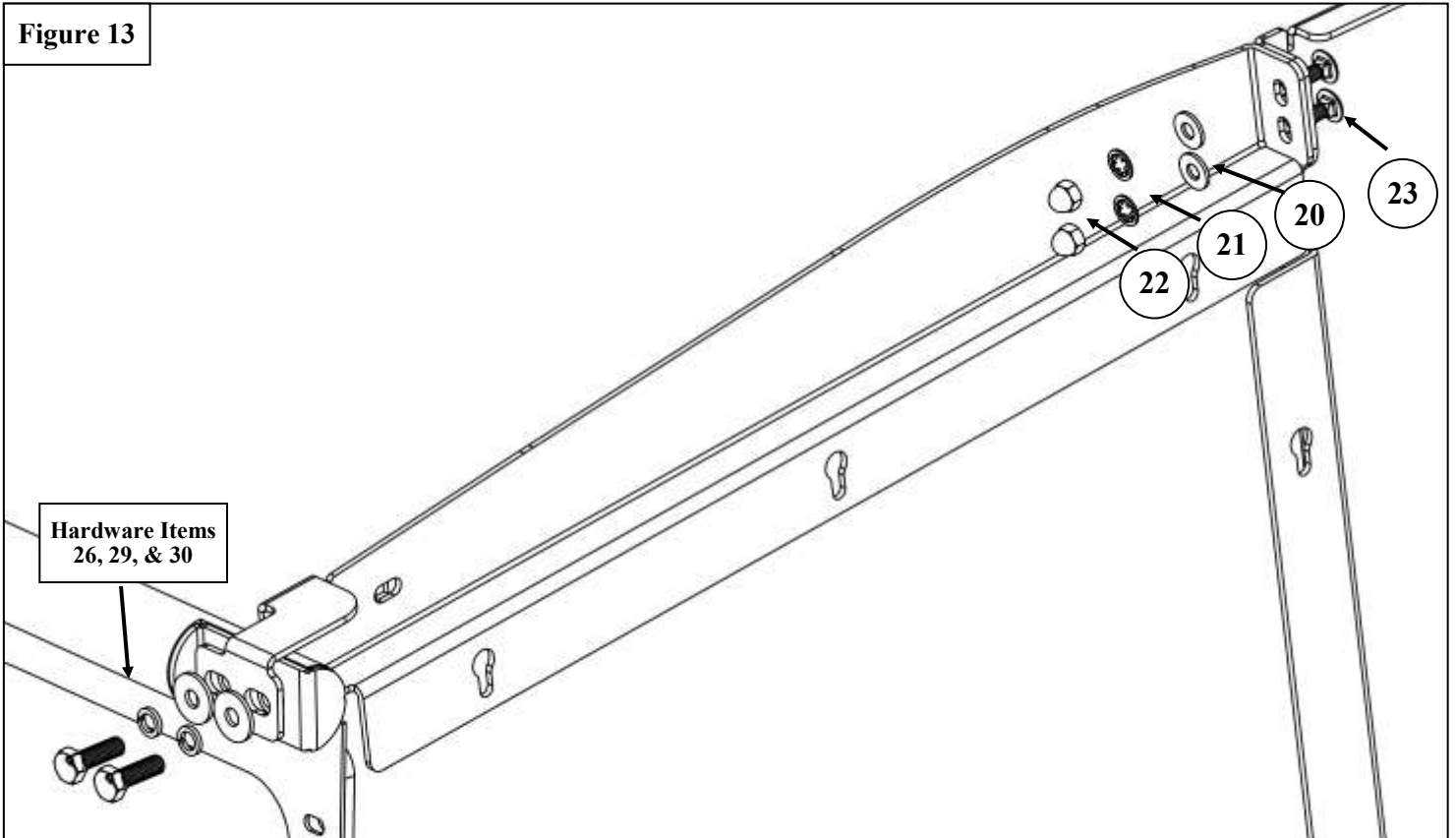


16. Locate and attach the Mount Tab (**Item 11**) and the Upper Window Frame (**Item 10**) using the hardware provided. See **Figure 12** for reference.
17. Loosely assemble the piece from **Step 13** to the Front Passenger Partition (**Item 1**) and Rear Window Frame (**Item 13**) using the hardware provided. See **Figure 13** for reference.

**Figure 12**



**Figure 13**



18. Using the hardware provided, locate and align the Front Window Frame (Item 9) with the Upper Window Frame (Item 10), Lower Window Frame (Item 12), and the Front Passenger Partition (Item 1). See Figure 14-16 for reference.

Figure 14

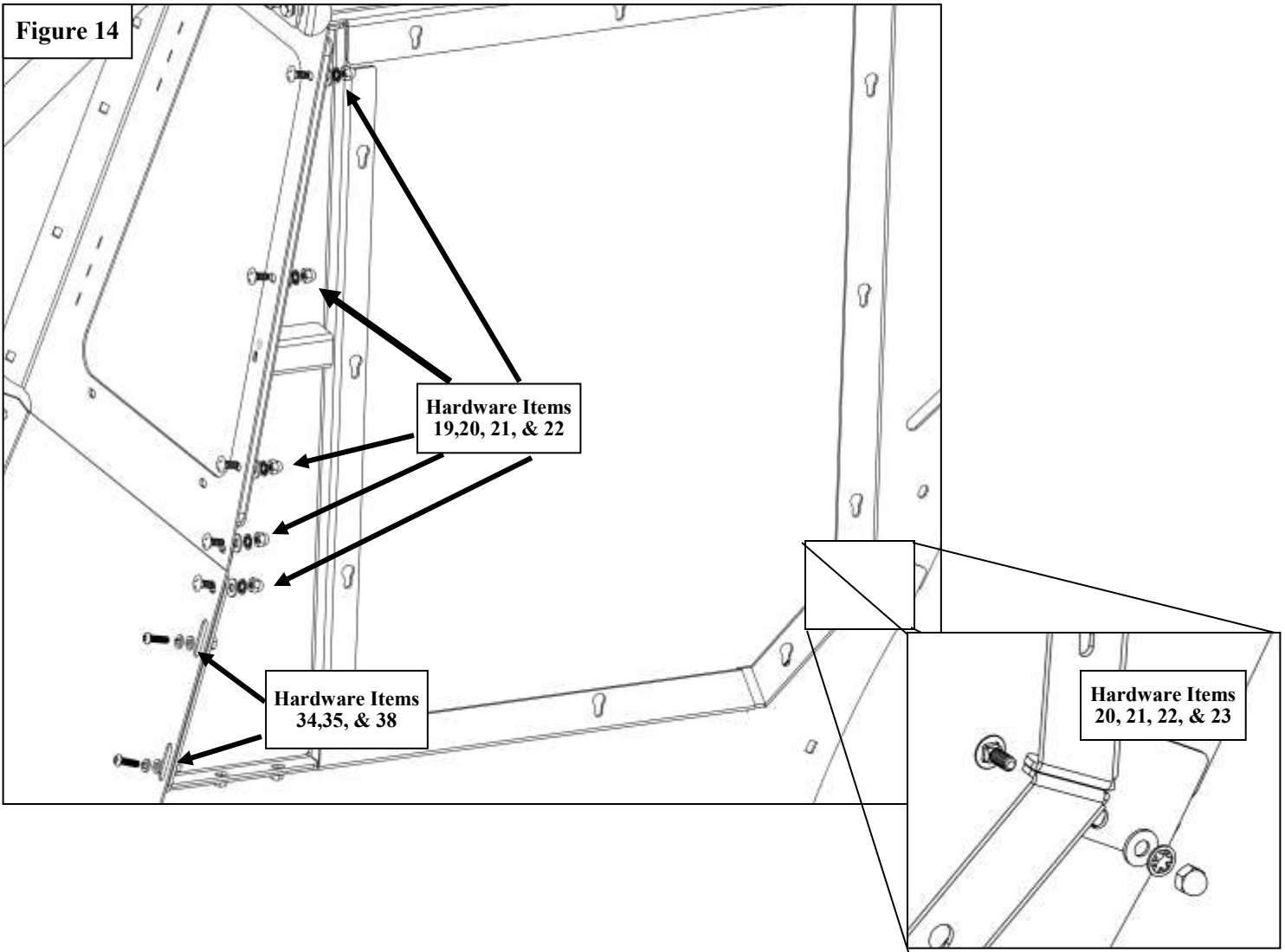


Figure 15

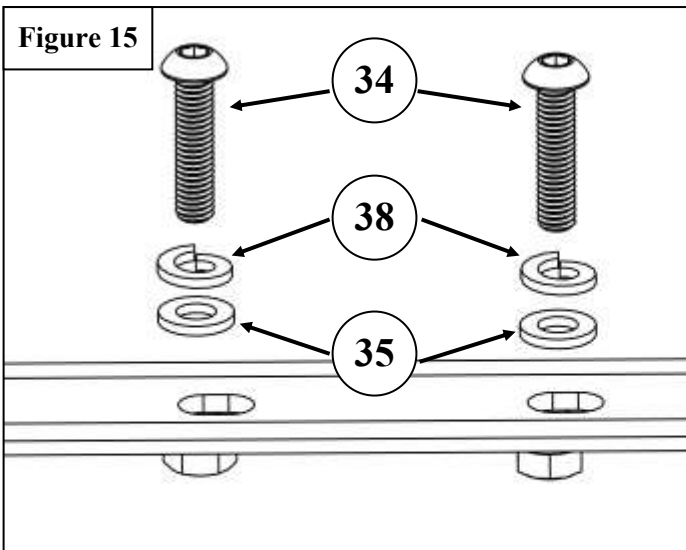
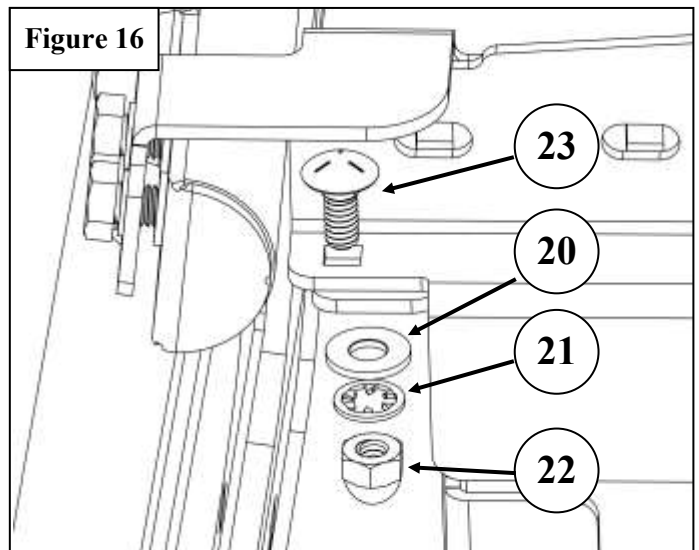


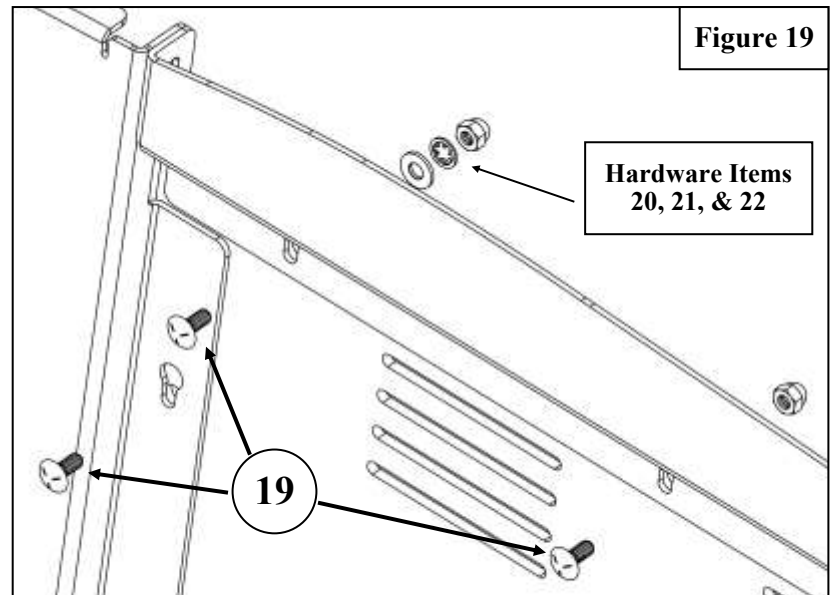
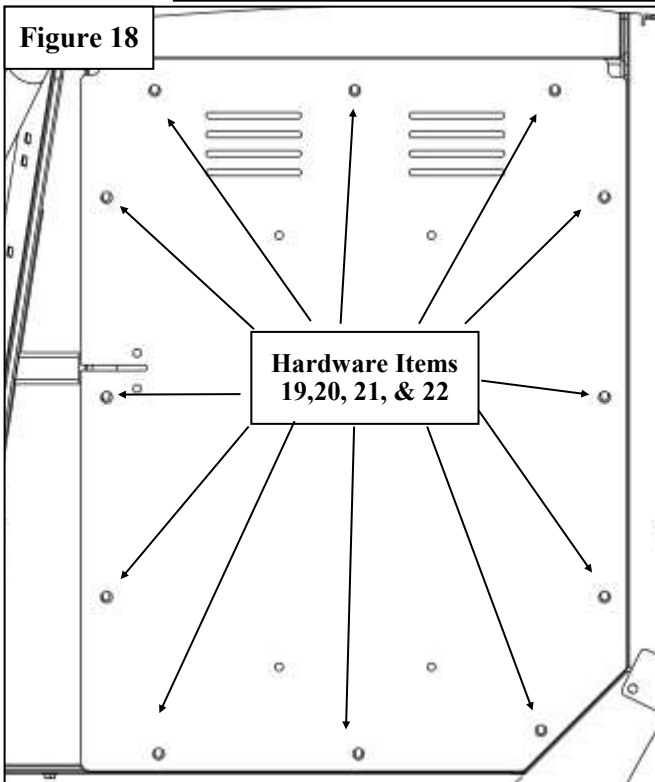
Figure 16



Westin Automotive Products, Inc.  
320 W. Covina Blvd  
San Dimas, Ca. 91773

Thank you for choosing Westin products  
for additional installation assistance please call  
Customer Service (800) 793-7846  
www.westinautomotive.com

19. If vehicle has the Prisoner Seat (**Part # 35-14045**) installed align and adjust the Front Seat Bracket (**Item 14**) and Rear Seat Bracket (**Item 15**) as necessary. Use a marker to mark the location to drill  $3/16$ " holes on the prisoner seat to install the brackets with their assigned hardware. See **Figure 17** for reference. **NOTE:** If vehicle does not have the Prisoner Seat (**Part # 35-14045**) discard brackets 14 and 15 and slide the Lower Window Frame (**Item 12**) between the rear passenger seat and middle seat.
20. **NOTE:** If installing emergency window system 35-18045 skip step 21 and follow 35-18045's install sheets. Then proceed to step 22.
21. Using the hardware provided, attach the Polycarbonate Passenger Window (**Item 8**). See **Figure 18 & 19** for Reference.
22. Align and adjust the Defender Single Cell Partition. Tighten and torque all hardware as specified M6 to 8-11 ft.-lbs., M8 to 15-18 ft.-lbs., and M10 to 35-38 ft.-lbs.



## INSALLATION COMPLETE



### CARE INSTRUCTIONS

- REGULAR WAXING IS RECOMMENDED. DO NOT USE ANY TYPE OF POLISH OR WAX THAT MAY CONTAIN ABRASIVES.
- STAINLESS STEEL PRODUCTS CAN BE CLEANED WITH MILD SOAP AND WATER. STAINLESS STEEL POLISH SHOULD BE USED TO POLISH SMALL SCRATCHES.
- GLOSS BLACK FINISHES SHOULD BE CLEANED WITH MILD SOAP AND WATER.

**WESTIN**

Westin Automotive Products, Inc.  
320 W. Covina Blvd  
San Dimas, Ca. 91773

Thank you for choosing Westin products  
for additional installation assistance please call  
Customer Service (800) 793-7846  
[www.westinautomotive.com](http://www.westinautomotive.com)



## WARNING



Failure to follow these instructions could lead to death, personal injury, and / or property damage.

Failure to follow these instructions could lead to death, personal injury, and / or property damage.

### FASTENERS:

All Westin supplied fasteners must be utilized and installed in accordance with the installation instructions and apply torque to the specifications as defined. **DOUBLE CHECK ALL FASTENERS BEFORE INITIAL USE, AND PERIODICALLY IN THE FUTURE TO ENSURE PROPER FUNCTION AND SAFETY.**

### DRILLING:

Most Westin products do not require drilling for installation. If drilling is defined as required, use caution when drilling a vehicle. **FAILURE TO REVIEW AN AREA TO BE DRILLED MAY RESULT IN PERSONAL INJURY AND/OR INJURY TO OTHERS AS WELL AS VEHICLE DAMAGE.**

### EYE PROTECTION:

**ALWAYS WEAR SAFETY GLASSES OR GOGGLES DURING THE INSTALLATION PROCESS TO AVOID PERSONAL INJURY.**

### MAXIMUM TOWING/CARRYING CAPACITY: (if applicable)

The Westin Receiver Hitches will have a visible tow rating label affixed directly on the product. User should never exceed the vehicle manufacturers maximum tow and weight rating regardless of the capacity of the hitch. **FAILURE TO FOLLOW THESE GUIDELINES WILL VOID THE WESTIN WARRANTY AND MAY RESULT IN PERSONAL INJURY AND/OR INJURY TO OTHERS AS WELL AS VEHICLE DAMAGE.**

### FOR CALIFORNIA RESIDENTS ONLY-PROP 65 WARNING:

Some products may contain chemicals such as DEHP, which can cause cancer, birth defects or other reproductive harm. For more info go to [www.p65warnings.ca.gov](http://www.p65warnings.ca.gov)



Westin Automotive Products, Inc.  
320 W. Covina Blvd  
San Dimas, Ca. 91773