

# INSTALLATION INSTRUCTIONS

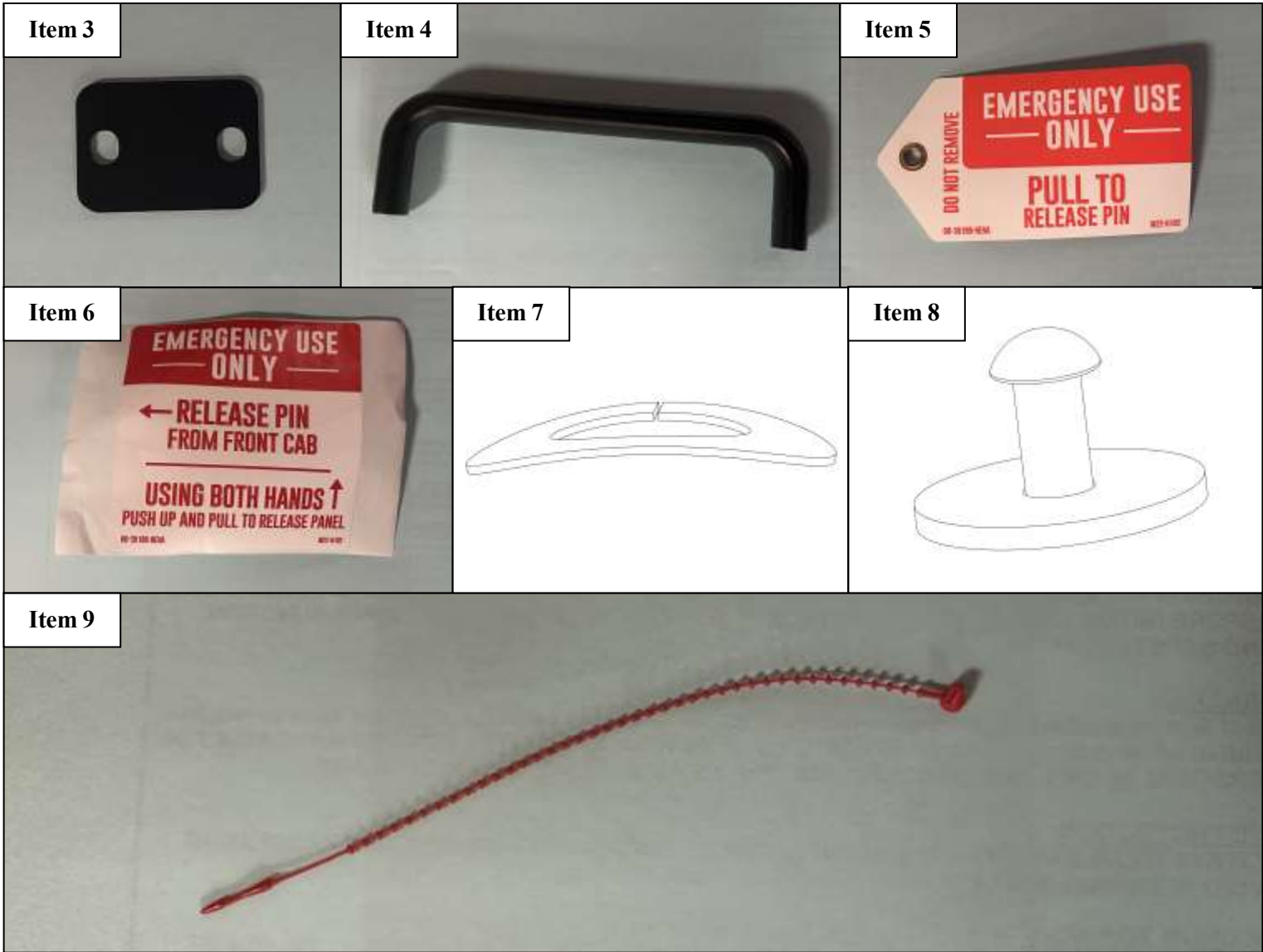


DEFENDER FRONT MODULAR  
APPLICATION:  
2021-2023 CHEVROLET TAHOE POLICE PURSUIT VEHICLE  
PART NUMBER:  
35-18065

CONTENT			
ITEM	QUANTITY	DESCRIPTION	TOOLS NEEDED
1	1	RELEASE PIN	RATCHET
2	1	RELEASE PIN COVER	TORQUE WRENCH
3	1	RELEASE PIN BACK COVER	MASKING TAPE
4	2	HANDLE	10MM WRENCH
5	1	PLASTIC EMERGENCY TAG	10MM SOCKET
6	1	EMERGENCY STICKER	ALLEN WRENCH
7	11	SPRING WASHER	
8	11	LOCK PIN	
9	1	PLASTIC BEADED TIES	
10	6	M6 BUTTON HEAD BOLT	
11	6	M6 LOCK WASHER	
12	8	M6 FLAT WASHER	
13	2	M6 A-CORN NUTS	

ANTI-SEIZE LUBRICANT MUST BE USED ON ALL STAINLESS STEEL FASTENERS TO PREVENT THREAD DAMAGE AND GALLING





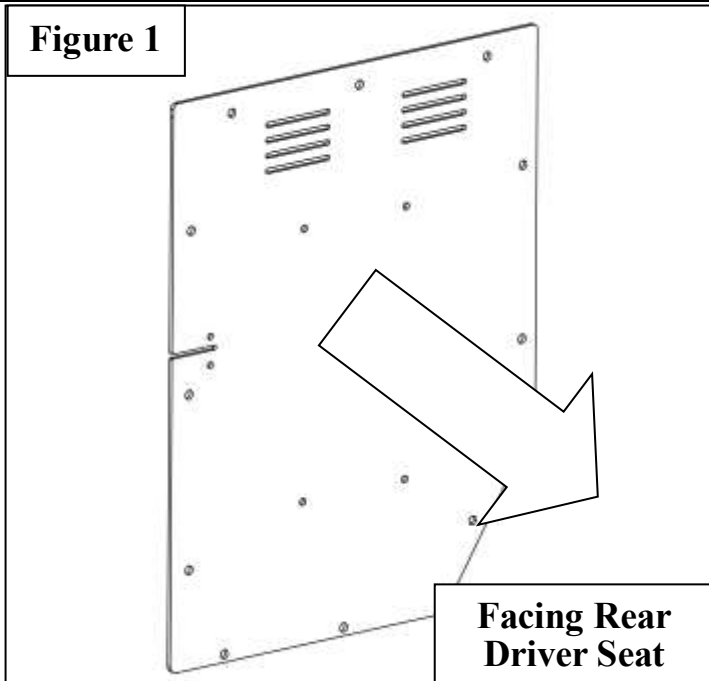
## PROCEDURE

1. Remove contents from box, verify if all parts listed are present and free from damage.  
Carefully read and understand all instructions before attempting installation.  
**Failure to identify damage before installation could lead to a rejection of any claim.**

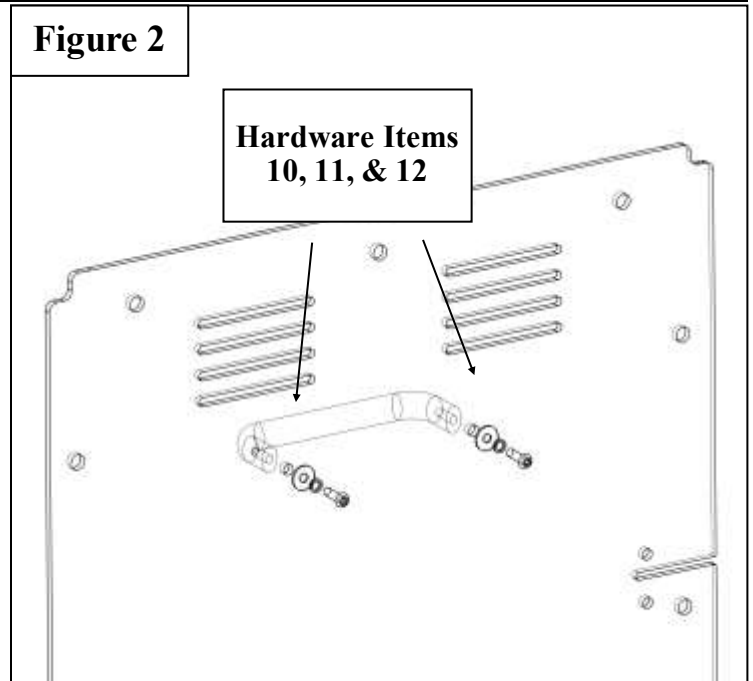
**NOTE:** This Product is only compatible to the partition on the 2021-2022 Chevrolet Tahoe Police Pursuit Vehicle (P#35-210095)

2. If the vehicle has the Polycarbonate already installed with regular hardware, remove it to proceed with the Emergency Kit installation. See **Figure 1** for orientation of the Polycarbonate window.
3. Using the provided hardware attach both Handles (**Item 4**) to the Polycarbonate Single Cell Window. See **Figure 2** for reference.
4. Using the provided hardware attach both the Release Pin Cover (**Item 2**) and Release Pin Back Cover (**Item 3**) to the Polycarbonate Single Cell Window. See **Figure 3 & 4** for reference.

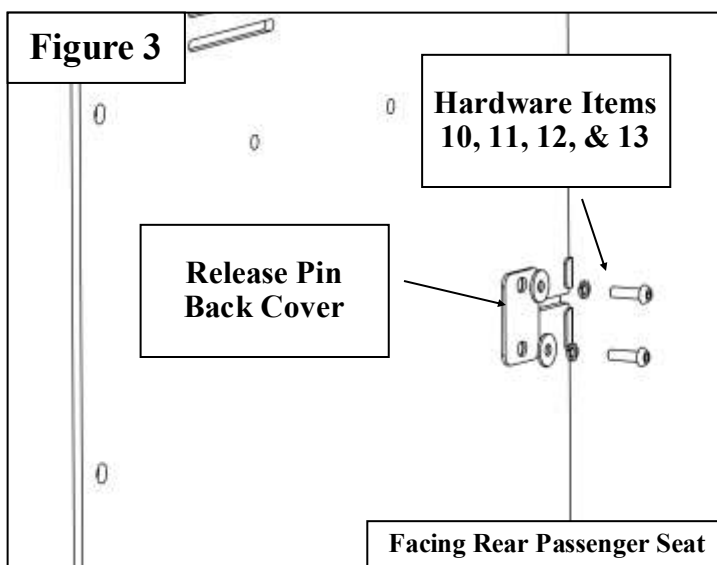
**Figure 1**



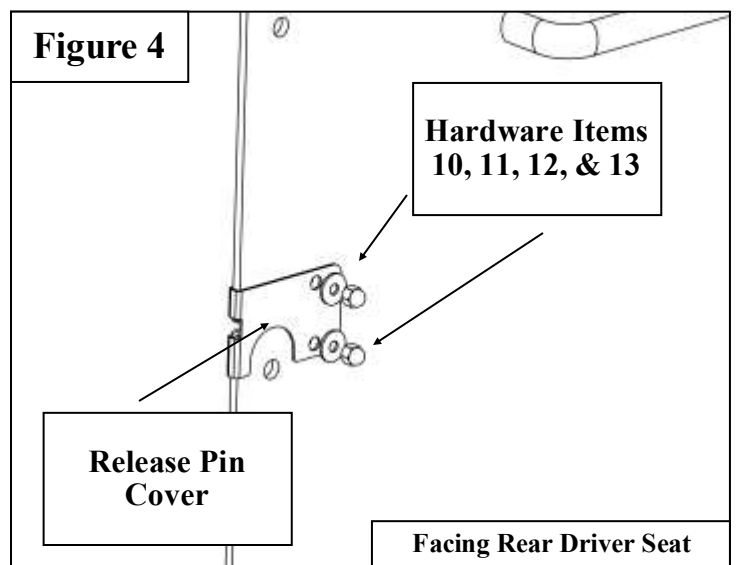
**Figure 2**



**Figure 3**



**Figure 4**

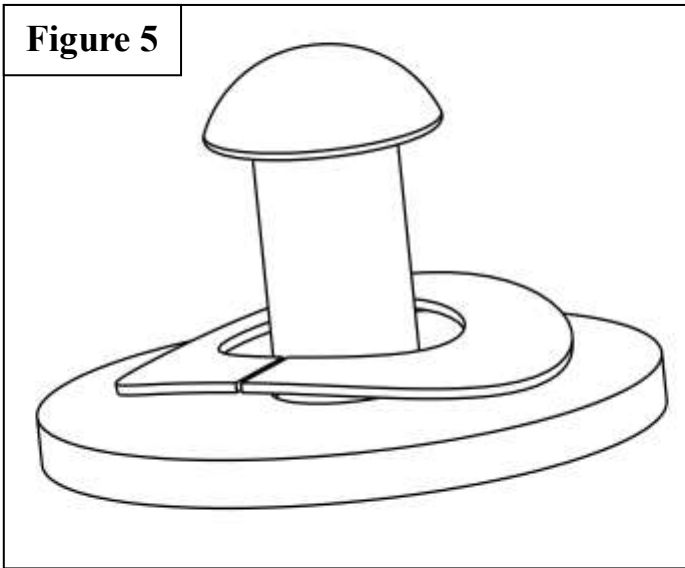


**WESTIN**

Westin Automotive Products, Inc.  
320 W. Covina Blvd  
San Dimas, Ca. 91773

5. Locate the Spring Washer (**Item 7**) and Lock Pin (**Item 8**) and assembly them. See **Figure 5** for reference.  
**IMPORTANT: It is important to follow the orientation of the Spring Washer or the Prisoner Emergency Release System will not perform properly.**
6. Begin inserting the Spring Washer (**Item 7**) and Lock Pin (**Item 8**) to the frame of the partition. Once you insert one in, use the scotch tape to hold both item in place. See **Figure 6** for reference.
7. Once all the Lock Pins are inserted push down with some force to lock the Polycarbonate Single Cell Window. See **Figure 7 & 8** for reference.

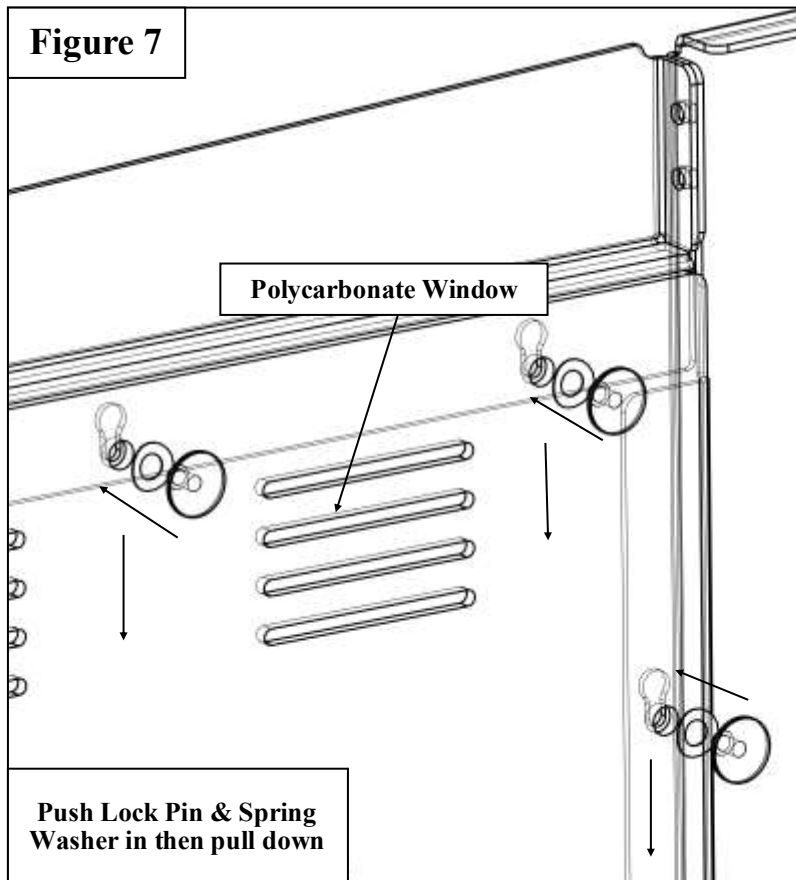
**Figure 5**



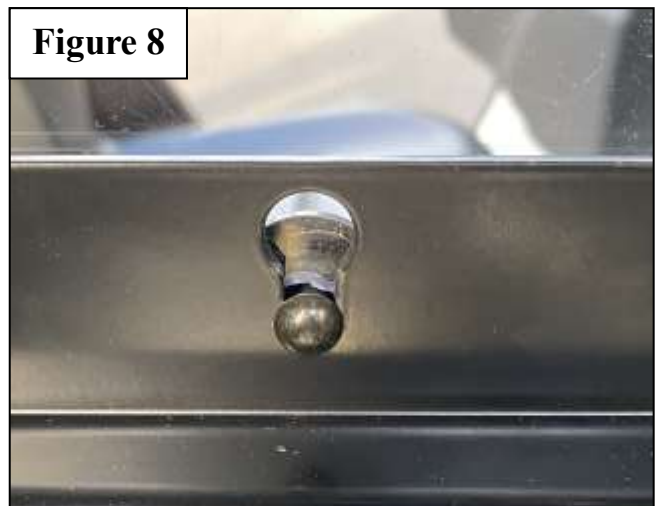
**Figure 6**



**Figure 7**



**Figure 8**

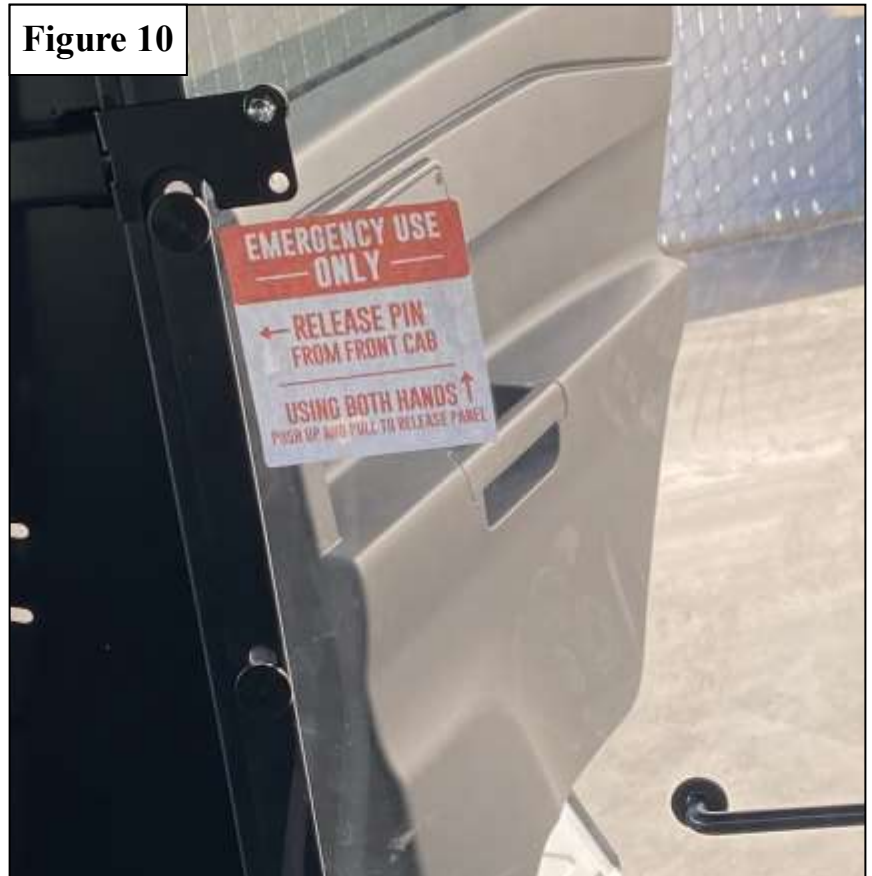


8. Insert the Pin Release (**Item 1**)
9. Insert the Plastic Beaded Tie (**Item 9**) in front of the Pin Release (**Item 1**) while it holds the n Plastic Emergency Tag (**Item 5**)
10. Place the Emergency Sticker (**Item 6**) on the Polycarbonate Single Cell Window. See **Figure 10** for reference.

**Figure 9**



**Figure 10**





## INSTALLATION COMPLETE



### CARE INSTRUCTIONS

- REGULAR WAXING IS RECOMMENDED. DO NOT USE ANY TYPE OF POLISH OR WAX THAT MAY CONTAIN ABRASIVES.
- STAINLESS STEEL PRODUCTS CAN BE CLEANED WITH MILD SOAP AND WATER. STAINLESS STEEL POLISH SHOULD BE USED TO POLISH SMALL SCRATCHES.
- GLOSS BLACK FINISHES SHOULD BE CLEANED WITH MILD SOAP AND WATER.

**WESTIN**

Westin Automotive Products, Inc.  
320 W. Covina Blvd  
San Dimas, Ca. 91773

Thank you for choosing Westin products  
for additional installation assistance please call  
Customer Service (800) 793-7846

[www.westinautomotive.com](http://www.westinautomotive.com)

DATE: 08/09/2023



## WARNING



Failure to follow these instructions could lead to death, personal injury, and / or property damage.

Failure to follow these instructions could lead to death, personal injury, and / or property damage.

### FASTENERS:

All Westin supplied fasteners must be utilized and installed in accordance with the installation instructions and apply torque to the specifications as defined. **DOUBLE CHECK ALL FASTENERS BEFORE INITIAL USE, AND PERIODICALLY IN THE FUTURE TO ENSURE PROPER FUNCTION AND SAFETY.**

### DRILLING:

Most Westin products do not require drilling for installation. If drilling is defined as required, use caution when drilling a vehicle. **FAILURE TO REVIEW AN AREA TO BE DRILLED MAY RESULT IN PERSONAL INJURY AND/OR INJURY TO OTHERS AS WELL AS VEHICLE DAMAGE.**

### EYE PROTECTION:

**ALWAYS WEAR SAFETY GLASSES OR GOGGLES DURING THE INSTALLATION PROCESS TO AVOID PERSONAL INJURY.**

### MAXIMUM TOWING/CARRYING CAPACITY: (if applicable)

The Westin Receiver Hitches will have a visible tow rating label affixed directly on the product. User should never exceed the vehicle manufacturers maximum tow and weight rating regardless of the capacity of the hitch. **FAILURE TO FOLLOW THESE GUIDELINES WILL VOID THE WESTIN WARRANTY AND MAY RESULT IN PERSONAL INJURY AND/OR INJURY TO OTHERS AS WELL AS VEHICLE DAMAGE.**

### FOR CALIFORNIA RESIDENTS ONLY-PROP 65 WARNING:

Some products may contain chemicals such as DEHP, which can cause cancer, birth defects or other reproductive harm. For more info go to [www.p65warnings.ca.gov](http://www.p65warnings.ca.gov)



Westin Automotive Products, Inc.  
320 W. Covina Blvd  
San Dimas, Ca. 91773