

INSTALLATION INSTRUCTIONS

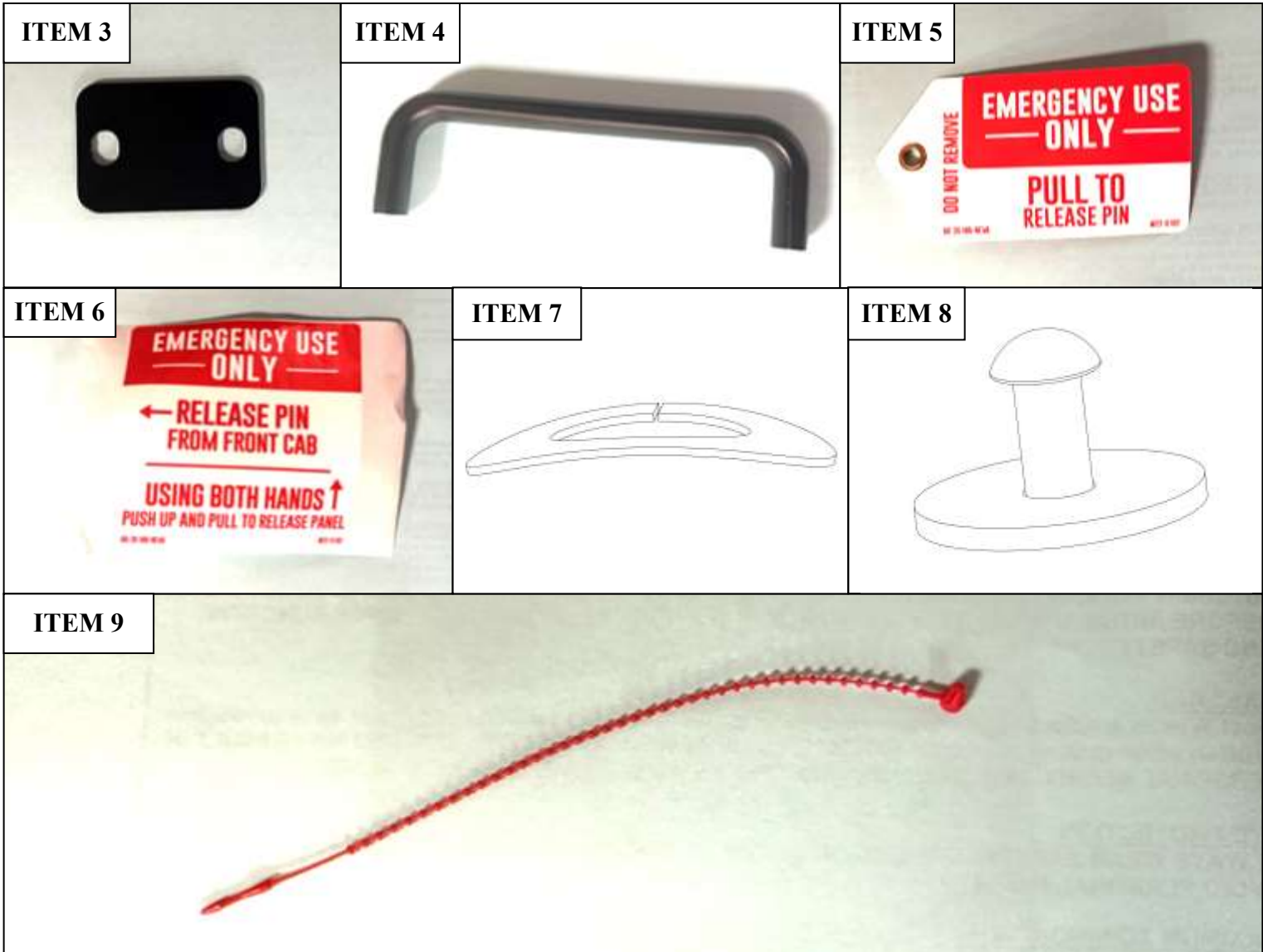


DEFENDER PERS - PRISONER EMERGENCY RELEASE SYSTEM
APPLICATION:
2020-2023 Ford Police Interceptor Utility (PIU)
PART NUMBER:
35-18045

CONTENT			
ITEM	QUANTITY	DESCRIPTION	TOOLS NEEDED
1	1	PIN RELEASE	RATCHET
2	1	RELEASE PIN COVER	TORQUE WRENCH
3	1	RELEASE PIN BACK COVER	MASKING TAPE
4	2	HANDLE	10MM WRENCH
5	1	PLASTIC EMERGENCY TAG	10MM SOCKET
6	1	STICKER	ALLEN WRENCH
7	12	SPRING WASHER	
8	12	LOCK PIN	
9	1	PLASTIC BEADED TIES	
10	6	M6 BUTTON HEAD BOLT	
11	6	M6 LOCK WASHER	
12	8	M6 FLAT WASHER	
13	2	M6 A-CORN NUTS	

ANTI-SEIZE LUBRICANT MUST BE USED ON ALL STAINLESS STEEL FASTENERS TO PREVENT THREAD DAMAGE AND GALLING



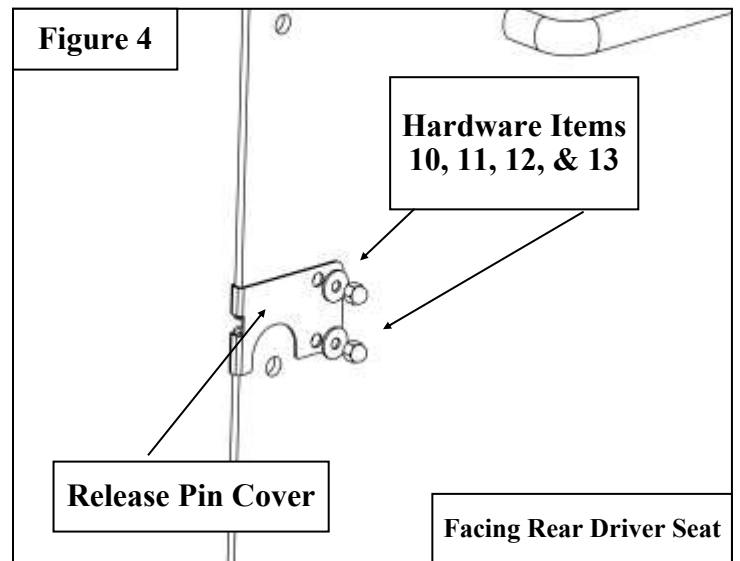
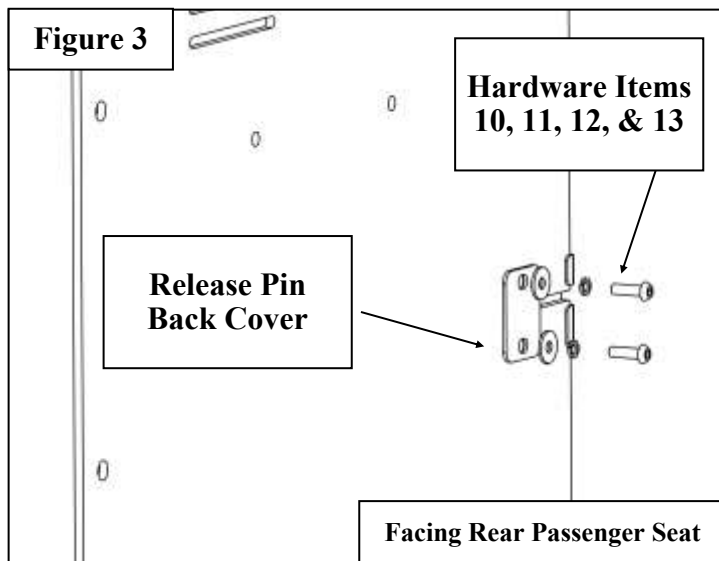
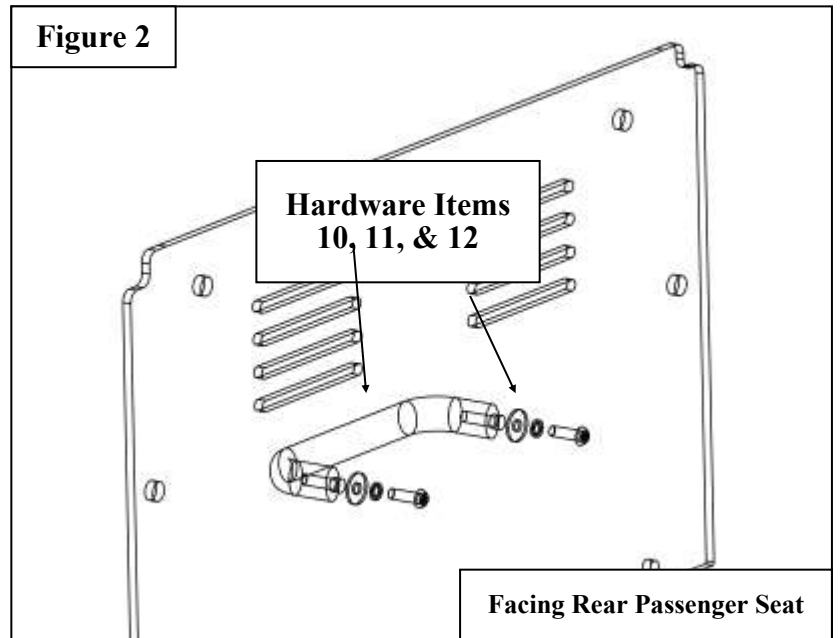
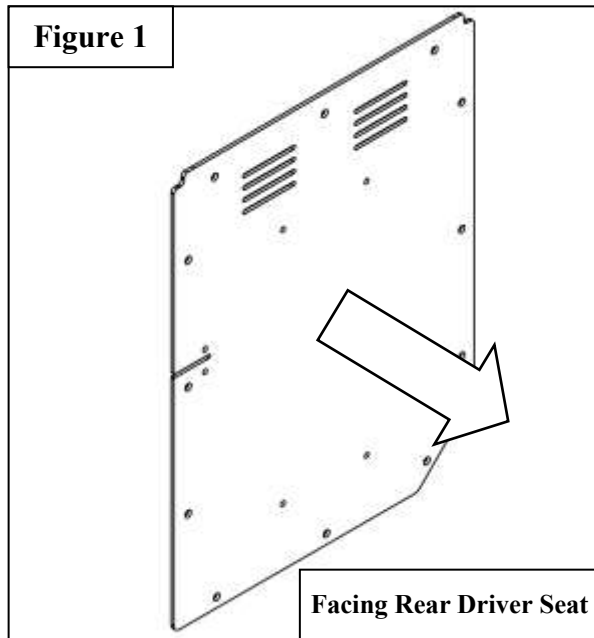


PROCEDURE

1. Remove contents from box, verify if all parts listed are present and free from damage.
Carefully read and understand all instructions before attempting installation.
Failure to identify damage before installation could lead to a rejection of any claim.

NOTE: This Product is only compatible to the single cell partition 35-210085 on the 2020-2023 Ford Police Interceptor Utility (PIU)

2. If the vehicle has the partition remove the Polycarbonate Single Cell Window. See **Figure 1** for orientation of partition.
3. Using the provided hardware attach both Handles (**Item 4**) to the Polycarbonate Single Cell Window. See **Figure 2** for reference.
4. Using the provided hardware attach both the Release Pin Cover (**Item 2**) and Release Pin Back Cover (**Item 3**) to the Polycarbonate Single Cell Window. See **Figure 3 & 4** for reference.



5. Locate the Spring Washer (**Item 7**) and Lock Pin (**Item 8**) and assembly them. See **Figure 5** for reference.
NOTE: It is important to follow the orientation of the Spring Washer or the Prisoner Emergency Release System will not perform properly.
6. Begin inserting the Spring Washer (**Item 7**) and Lock Pin (**Item 8**) to the frame of the partition. Once you insert one in, use the scotch tape to hold both item in place. See **Figure 6** for reference.
7. Once all the Lock Pins are inserted push down with some force to lock the Polycarbonate Single Cell Window. See **Figure 7 & 8** for reference.

Figure 5

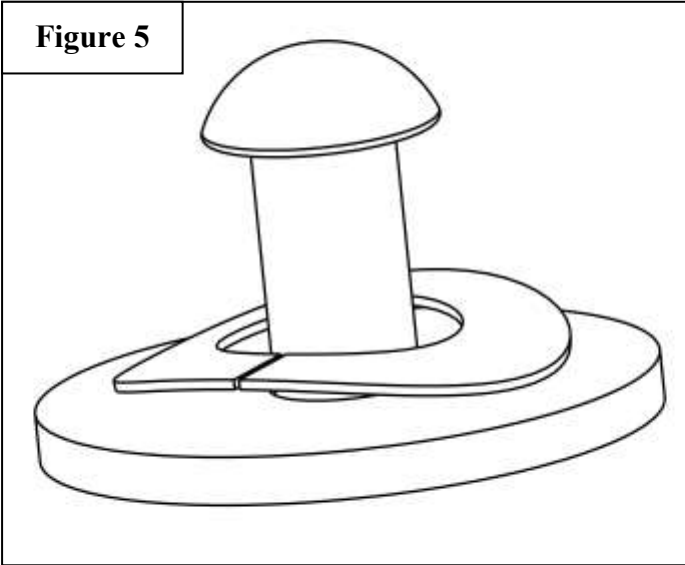


Figure 6



Figure 7

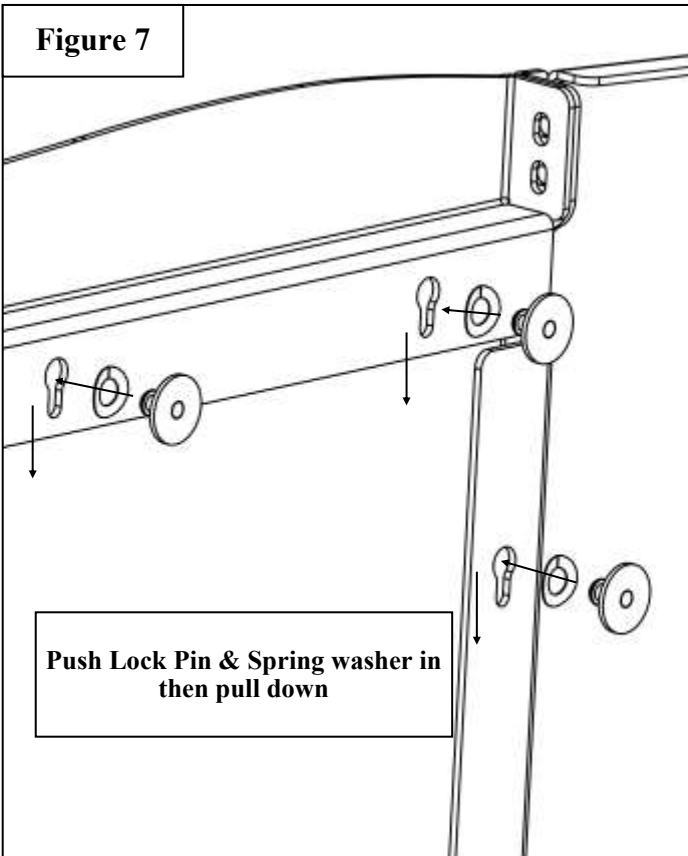
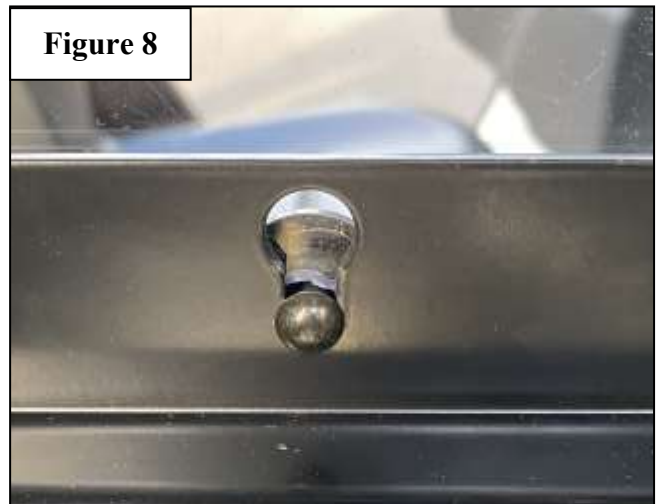


Figure 8



8. **Insert the Pin Release (Item 1) and make sure to engage it to the partition clip as shown on Figure 9**
9. Insert the Plastic Beaded Tie (**Item 9**) into the Partition Clip at front of the Pin Release (**Item 1**) while it holds the Plastic Emergency Tag (**Item 5**). See **Figure 10** for reference.
10. Place the Sticker (**Item 6**) on the Polycarbonate Single Cell Window. See **Figure 11** for reference.

Figure 9

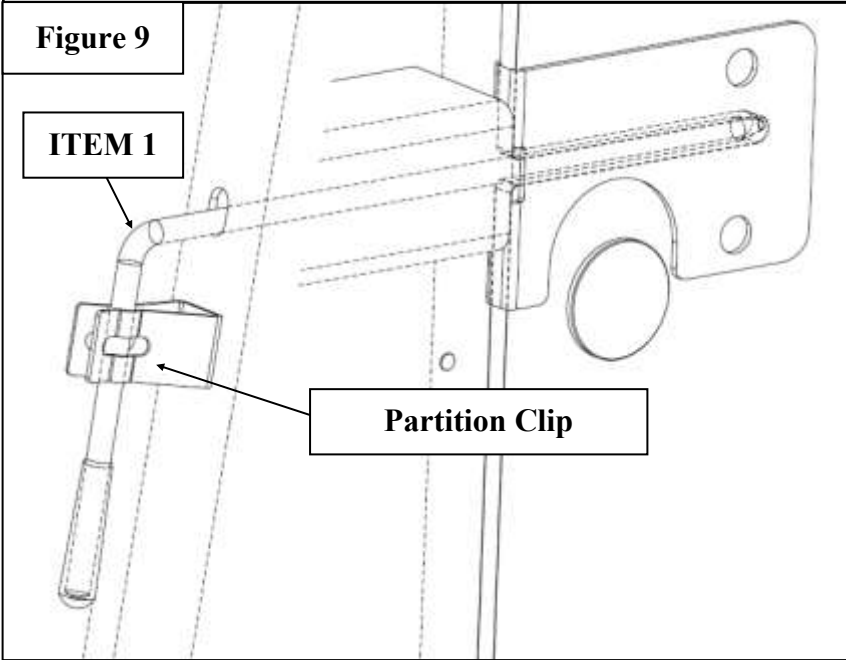
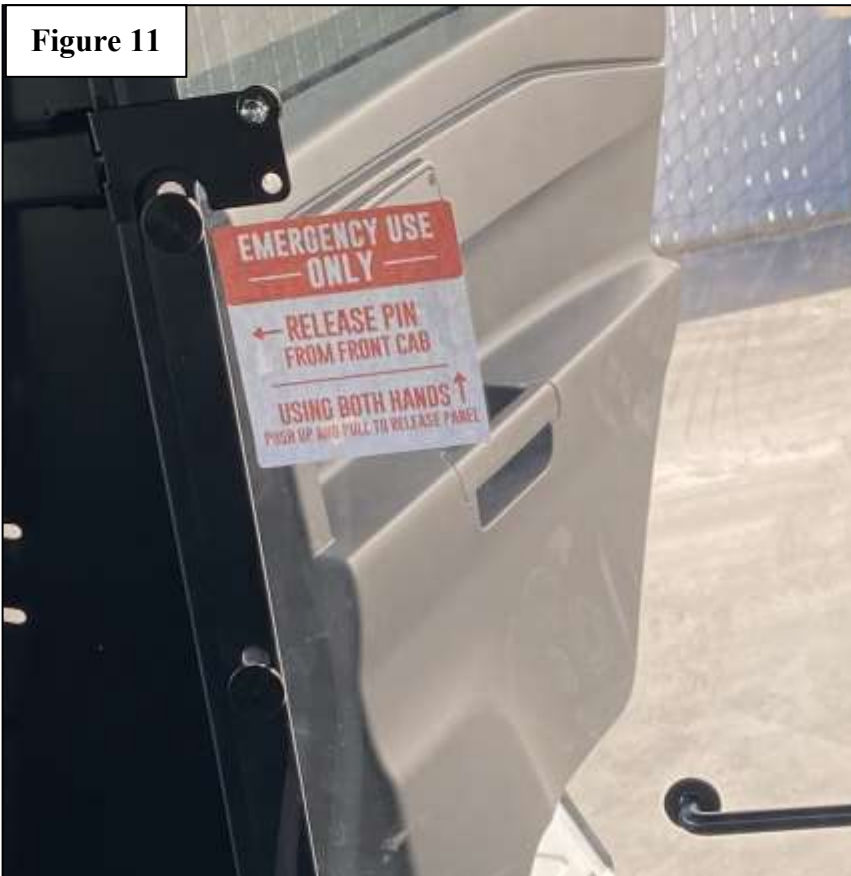


Figure 10



Figure 11



INSTALLATION COMPLETE



CARE INSTRUCTIONS

- REGULAR WAXING IS RECOMMENDED. DO NOT USE ANY TYPE OF POLISH OR WAX THAT MAY CONTAIN ABRASIVES.
- STAINLESS STEEL PRODUCTS CAN BE CLEANED WITH MILD SOAP AND WATER. STAINLESS STEEL POLISH SHOULD BE USED TO POLISH SMALL SCRATCHES.
- GLOSS BLACK FINISHES SHOULD BE CLEANED WITH MILD SOAP AND WATER.

WESTIN

Westin Automotive Products, Inc.
320 W. Covina Blvd
San Dimas, Ca. 91773

Thank you for choosing Westin products
for additional installation assistance please call
Customer Service (800) 793-7846

www.westinautomotive.com



WARNING



Failure to follow these instructions could lead to death, personal injury, and / or property damage.

Failure to follow these instructions could lead to death, personal injury, and / or property damage.

FASTENERS:

All Westin supplied fasteners must be utilized and installed in accordance with the installation instructions and apply torque to the specifications as defined. **DOUBLE CHECK ALL FASTENERS BEFORE INITIAL USE, AND PERIODICALLY IN THE FUTURE TO ENSURE PROPER FUNCTION AND SAFETY.**

DRILLING:

Most Westin products do not require drilling for installation. If drilling is defined as required, use caution when drilling a vehicle. **FAILURE TO REVIEW AN AREA TO BE DRILLED MAY RESULT IN PERSONAL INJURY AND/OR INJURY TO OTHERS AS WELL AS VEHICLE DAMAGE.**

EYE PROTECTION:

ALWAYS WEAR SAFETY GLASSES OR GOGGLES DURING THE INSTALLATION PROCESS TO AVOID PERSONAL INJURY.

MAXIMUM TOWING/CARRYING CAPACITY: (if applicable)

The Westin Receiver Hitches will have a visible tow rating label affixed directly on the product. User should never exceed the vehicle manufacturers maximum tow and weight rating regardless of the capacity of the hitch. **FAILURE TO FOLLOW THESE GUIDELINES WILL VOID THE WESTIN WARRANTY AND MAY RESULT IN PERSONAL INJURY AND/OR INJURY TO OTHERS AS WELL AS VEHICLE DAMAGE.**

FOR CALIFORNIA RESIDENTS ONLY-PROP 65 WARNING:

Some products may contain chemicals such as DEHP, which can cause cancer, birth defects or other reproductive harm. For more info go to www.p65warnings.ca.gov



Westin Automotive Products, Inc.
320 W. Covina Blvd
San Dimas, Ca. 91773