



INSTALLATION INSTRUCTIONS

DEFENDER ELECTRONICS BOX

APPLICATION:

2020-2026 FORD POLICE INTERCEPTOR

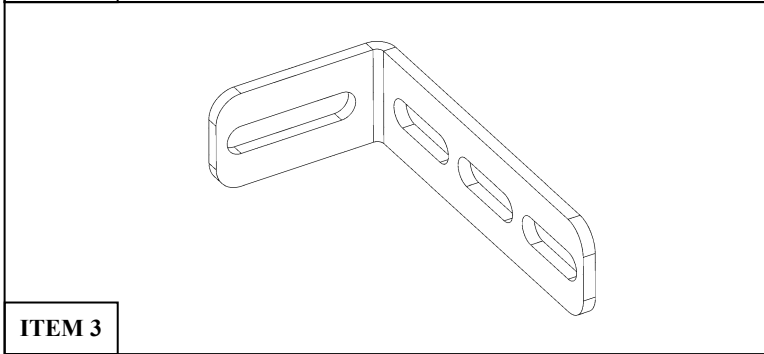
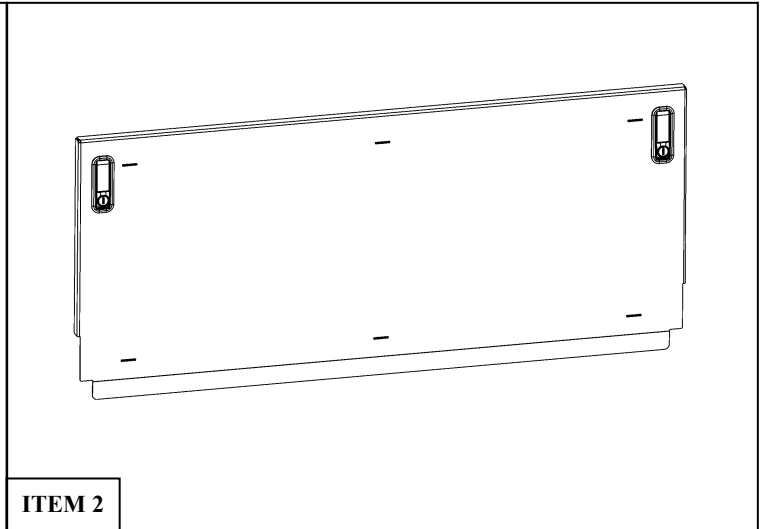
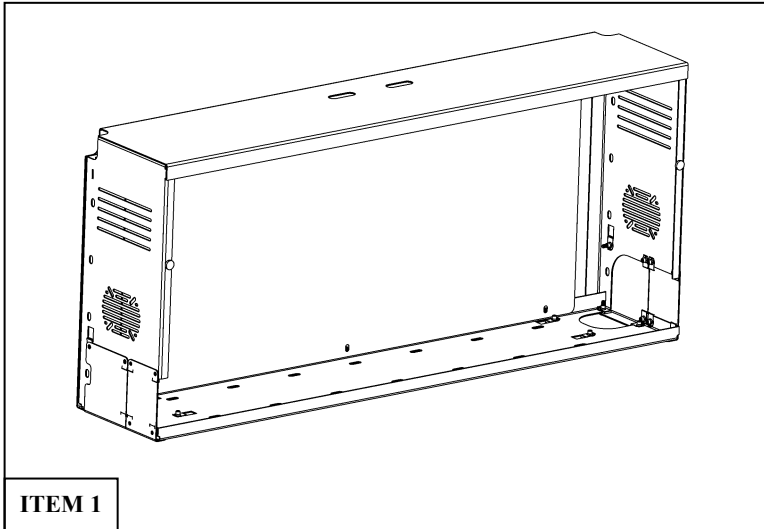
2021-2026 CHEVROLET TAHOE

2021-2026 DODGE DURANGO

PART NUMBER: 35-170451

ITEM	QUANTITY	DESCRIPTION	TOOLS REQUIRED
1	1	ELECTRONICS BOX	RATCHET
2	1	FRONT COVER	7/16" SOCKET
3	4	UNIVERSAL BRACKETS	3/8" WRENCH
4	8	1/4"-20 X 0.75" FLANGED SERRATED HEX HEAD BOLT	
5	8	1/4"-20 FLANGED SERRATED HEX HEAD NUT	

ANTI-SEIZE LUBRICANT MUST BE USED ON ALL STAINLESS STEEL FASTENERS TO PREVENT THREAD DAMAGE AND GALLING



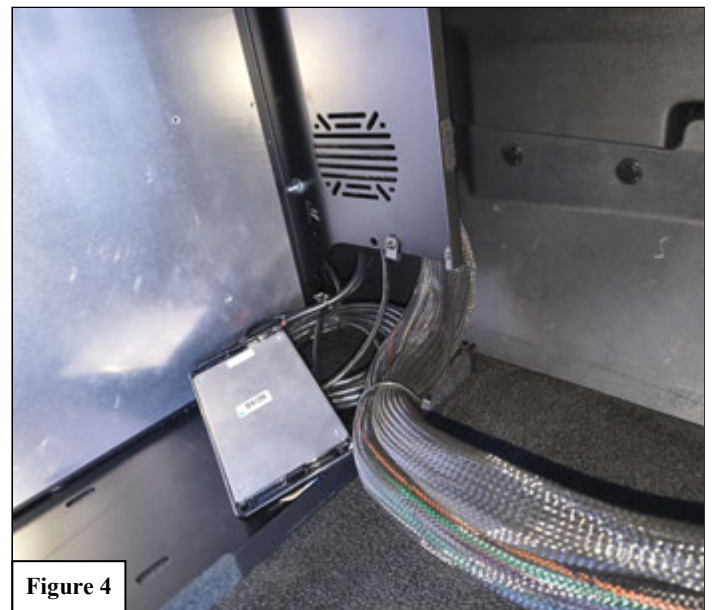
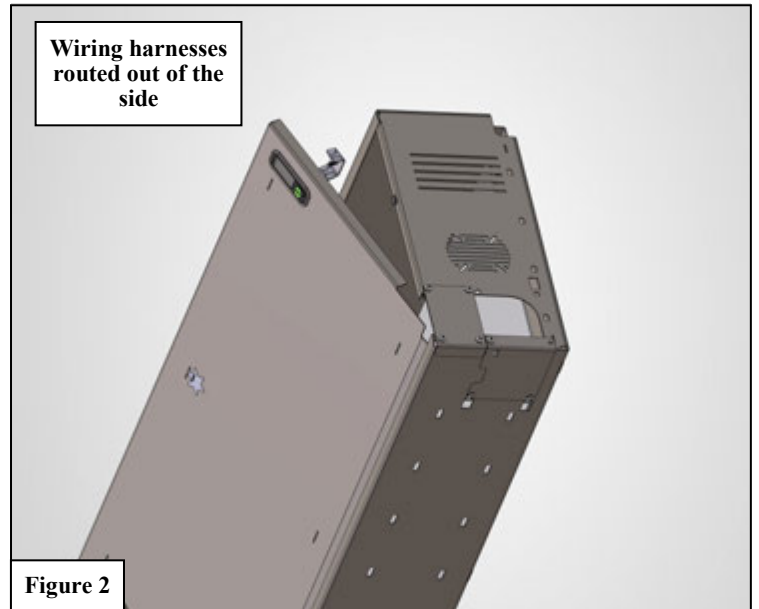
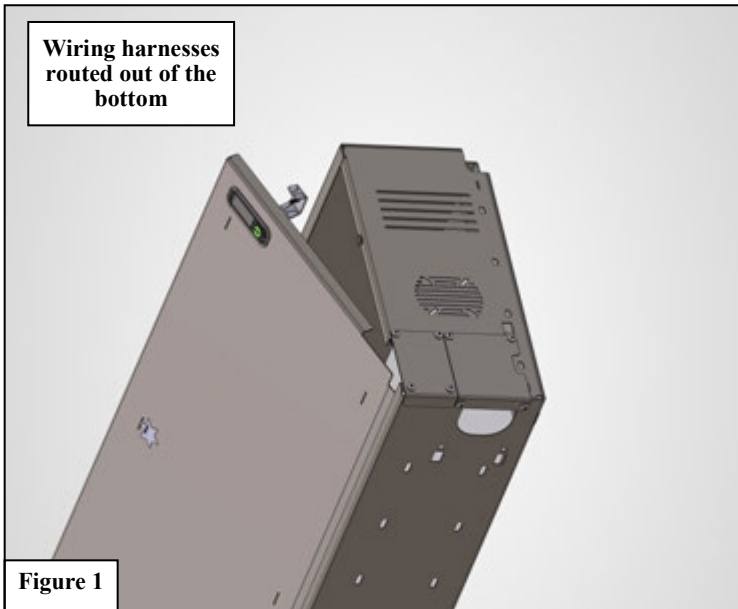
NOTE:
 THIS PRISONER SEAT IS DESIGNED FOR USE WITH THE REAR PARTITION SYSTEM 35-13045KC AND 35-130452KC (SOLD SEPARATELY). REFER TO RESPECTIVE INSTALLATION INSTRUCTIONS.

PROCEDURE

1. Remove contents from box, verify if all parts listed are present and free from damage. Carefully read and understand all instructions before attempting installation.

Failure to identify damage before installation could lead to a rejection of any claim.

2. Remove the Wiring Covers (items 4, 5, 6, 7) on the sides of the Electronics Box.
3. Route the wiring harnesses into the Electronics Box. **Note:** *There are multiple configurations of the Rear Wiring Covers to allow for routing the wiring harnesses out of either the side, or the bottom of the Electronics Box, depending on the Electronics Box's mounting location. The configuration shown in this manual is to allow for the Electronics Box to be flush with the floor, with the wiring harnesses routed out of its side. To change the routing direction of the wiring harnesses, remove the Phillips head screws holding the Rear Wiring Covers onto the Electronics Box and rotate the Rear Wiring Cover(s) as needed. See **Figures 1, 2, 3, 4** for reference.*



4. Reinstall the Wiring Covers. See **Figure 5** for reference.
5. Mount ECU's/computers/modules to the aluminum plates in the Front Cover (item 2) back of the Electronics Box using self-tapping screws (not provided). See **Figures 6, 7** for reference.
6. **Optional:** Mount any ECU fans to the fan provisions on each side of the Electronics Box.

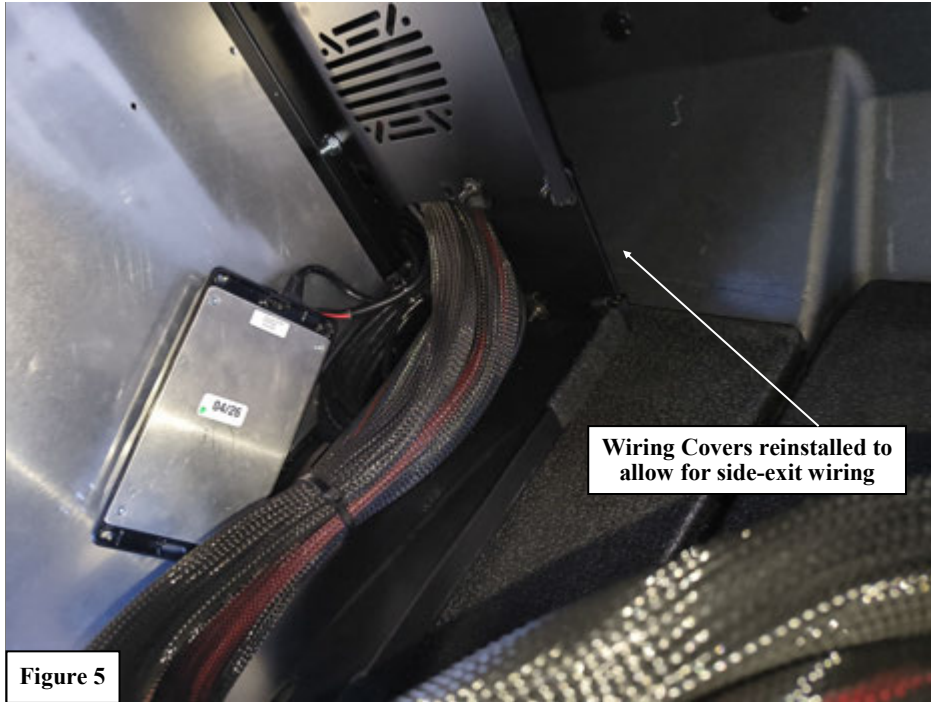


Figure 5



Figure 6

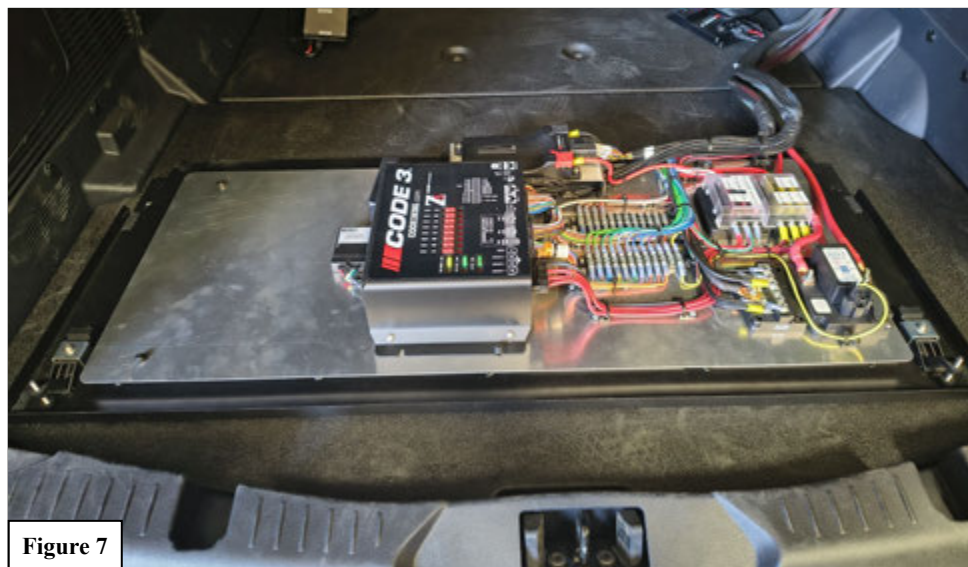
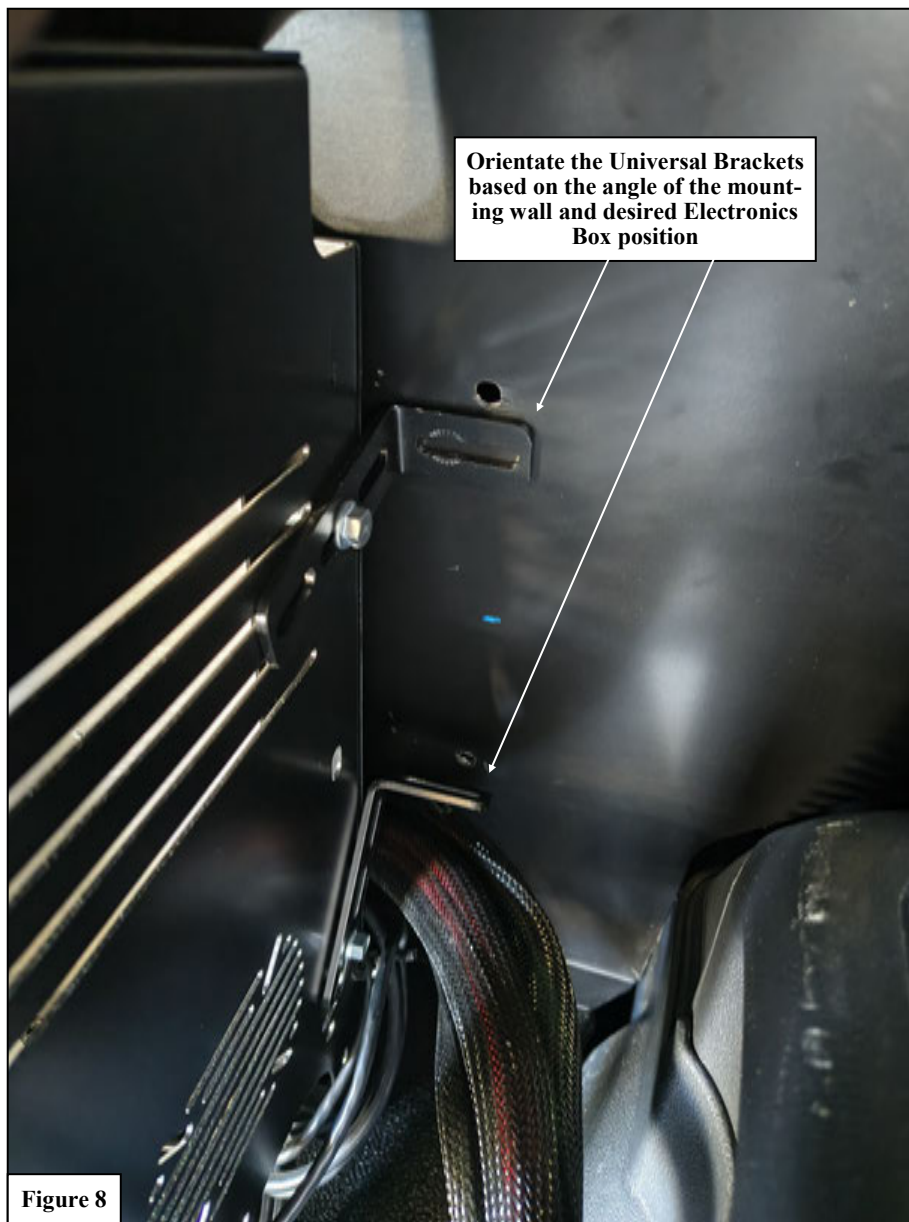


Figure 7

7. Orientate Universal Brackets (item 3) to desired angle and attach to Electronics Box (item 1) using the provided hardware (items 4, 5). See **Figure 8** for reference.
8. Drill the required number of holes into the rear partition and mount the Electronics Box using self-tapping screws. See **Figure 8** for reference.
9. Mount and latch the Front Cover to the Electronics Box.



Completed Installation





WARNING



Failure to follow these instructions could lead to death, personal injury, and / or property damage.

Failure to follow these instructions could lead to death, personal injury, and / or property damage.

FASTENERS:

All Westin supplied fasteners must be utilized and installed in accordance with the installation instructions and apply torque to the specifications as defined. **DOUBLE CHECK ALL FASTENERS BEFORE INITIAL USE, AND PERIODICALLY IN THE FUTURE TO ENSURE PROPER FUNCTION AND SAFETY.**

DRILLING:

Most Westin products do not require drilling for installation. If drilling is defined as required, use caution when drilling a vehicle. **FAILURE TO REVIEW AN AREA TO BE DRILLED MAY RESULT IN PERSONAL INJURY AND/OR INJURY TO OTHERS AS WELL AS VEHICLE DAMAGE.**

EYE PROTECTION:

ALWAYS WEAR SAFETY GLASSES OR GOGGLES DURING THE INSTALLATION PROCESS TO AVOID PERSONAL INJURY.

MAXIMUM TOWING/CARRYING CAPACITY: (if applicable)

The Westin Receiver Hitches will have a visible tow rating label affixed directly on the product. User should never exceed the vehicle manufacturers maximum tow and weight rating regardless of the capacity of the hitch. **FAILURE TO FOLLOW THESE GUIDELINES WILL VOID THE WESTIN WARRANTY AND MAY RESULT IN PERSONAL INJURY AND/OR INJURY TO OTHERS AS WELL AS VEHICLE DAMAGE.**

FOR CALIFORNIA RESIDENTS ONLY-PROP 65 WARNING:

Some products may contain chemicals such as DEHP, which can cause cancer, birth defects or other reproductive harm. For more info go to www.p65warnings.ca.gov