

INSTALLATION INSTRUCTIONS

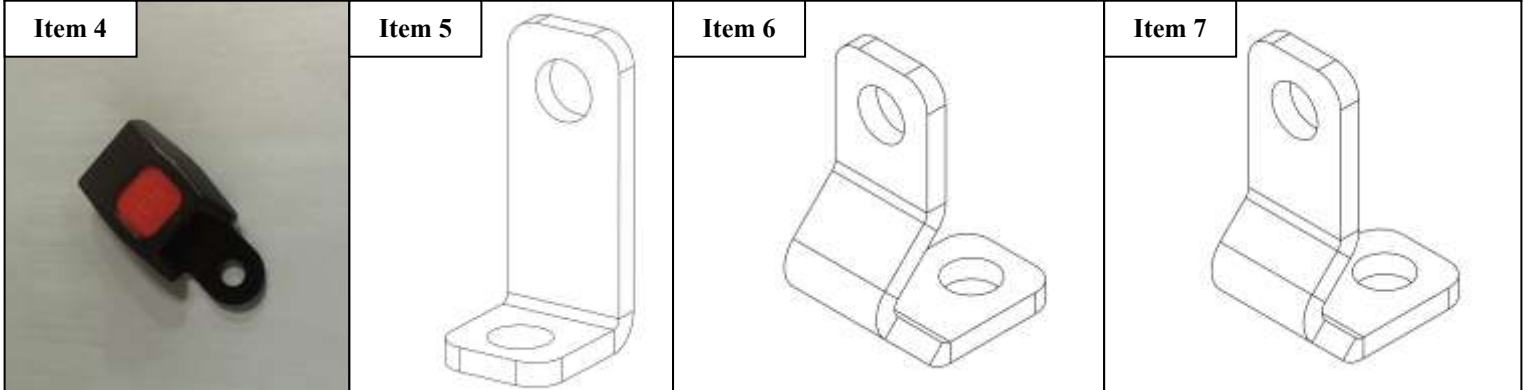


Defender Prisoner Seat
APPLICATION:
2021 Dodge Durango
PART NUMBER:
35-14075

CONTENT			
ITEM	QUANTITY	DESCRIPTION	TOOLS NEEDED
1	1	DEFENDER PRISONER SEAT	RATCHET
2	2	SEAT BELT RETRACTOR	TORQUE WRENCH
3	2	OUTER 12" RECEIVER	18MM SOCKET
4	2	PARTITION SEAT BELT BUCKEL	18MM WRENCH
5	2	CLAMP "A" BRACKET	17MM SOCKET
6	1	CLAMP "B" BRACKET	17MM WRENCH
7	1	CLAMP "C" BRACKET	9/16" SOCKET
8	2	M12 HEX HEAD CAP BOLT	9/16" WRENCH
9	2	M12 NYLON INSERT LOCK NUT	
10	2	BIG FLAT WASHER	
11	4	M10 HEX HEAD BOLT	
12	4	M10 HEX NUT	
13	4	M10 SPLIT LOCK WASHER	
14	8	M10 FLAT WASHER	
15	4	1/4" FLAT WASHER	
16	2	1/4" BUTTON HEAD CAP SCREW	
17	2	1/4" NYLON LOCK NUT	

ANTI-SEIZE LUBRICANT MUST BE USED ON ALL STAINLESS STEEL FASTENERS TO PREVENT THREAD DAMAGE AND GALLING



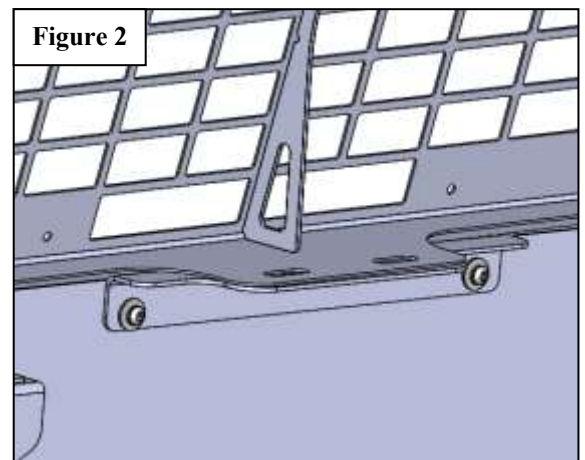


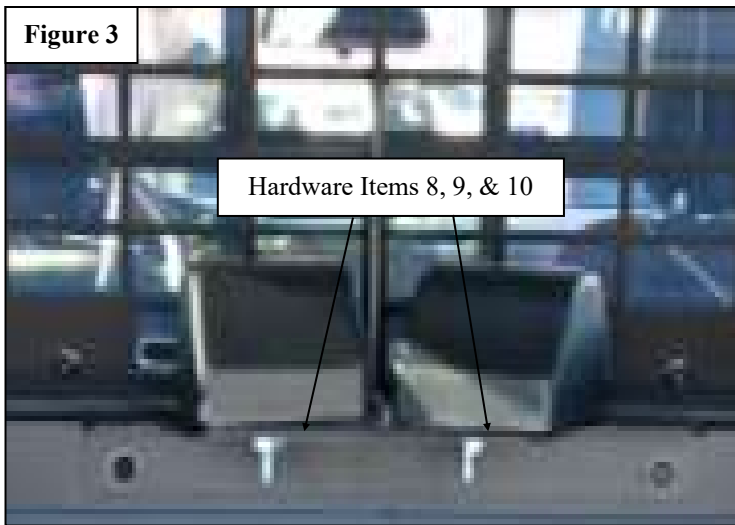
PROCEDURE

1. Remove contents from box, verify if all parts listed are present and free from damage. Carefully read and understand all instructions before attempting installation. **Failure to identify damage before installation could lead to a rejection of any claim.**

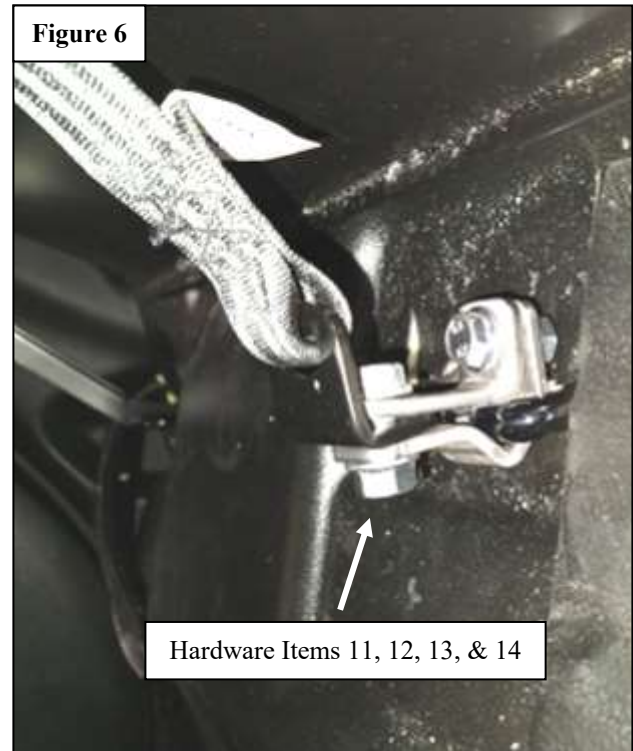
NOTE: Defender Rear Partition (**Part # 35-12075**) needs to be installed to have the Defender Prisoner Seat (**Part # 35-14075**). Make sure to have the screen loose and not attached to the cross frame to slip the Defender Prisoner seat in between. Rear vehicle seats will need to be removed before installing the Defender Rear Partition, save OE hardware since they will be reused

2. Remove the plastic cap on both Seat Belt Retractors (**Item 2**) and loosely install them at the slots in the back of the rear guard screen (**Part # 35-14075**) using the M12 hardware provided (**Items 8 & 9**). Pull the seat belts into the 2 slots. See **Figure 1 - 3** for reference. **NOTE:** Have the nut very loose or not at all to have the Seat Belt Retractors (**Item 2**) to move around and complete the installation easier.





3. Bring the Defender Prisoner Seat (**Item 1**) into the vehicle. **NOTE:** Make sure to have the seat tilted to be able to put the brackets.
4. Take the seat belt and insert it in between the Defender Prisoner Seat (**Item 1**). See **Figure 4** for reference.
5. Tilt the seat forward, using the hardware provided, attach Clamp “A” Bracket (**Item 5**) to Clamp “B” Bracket (**Item 6**) and Clamp “C” Bracket (**Item 7**). See **Figure 5 & 6** for reference, orientation, and the location of each bracket. **NOTE:** Make sure to have the hardware tighten at this point since access to these bolts will be denied.



6. Locate the Outer 12" Receiver (**Item 3**) and slide it through the slot on the side of the Defender Prisoner Seat (**Item 1**). See **Figure 7** for reference.
7. Using the OE bolts that are used by the Rear Partition straps, attach the Outer 12" Receiver (**Item 3**). See **Figure 8** for reference.

Figure 7



Figure 8



8. Slide the Defender Prisoner Seat (**Item 1**) in between the cross frame and screen. Use the M8 bolts provided by the Defender Rear Partition (**Part # 35-12075**).
9. Line up the holes on the bottom and bolt the Defender Prisoner Seat to the ground. Use the previously removed bolts to hold the seat from the floor. **DO NOT OVERTIGHTEN BOLTS.** See **Figure 9** for reference.
10. Using the hardware provided install the Partition Seat Belt Buckles (**Item 4**). See **Figure 10** for a reference spot. It can be installed at other locations as necessary.
11. Align and adjust as necessary then tighten hardware. Torque 1/4" to 8 ft-lbs., M10 to 35 ft-lbs., M12 to 65 ft-lbs.



INSTALLATION COMPLETE



CARE INSTRUCTIONS

- REGULAR WAXING IS RECOMMENDED. DO NOT USE ANY TYPE OF POLISH OR WAX THAT MAY CONTAIN ABRASIVES.
- STAINLESS STEEL PRODUCTS CAN BE CLEANED WITH MILD SOAP AND WATER. STAINLESS STEEL POLISH SHOULD BE USED TO POLISH SMALL SCRATCHES.
- GLOSS BLACK FINISHES SHOULD BE CLEANED WITH MILD SOAP AND WATER.

WESTIN Westin Automotive Products, Inc.
320 W. Covina Blvd
San Dimas, Ca. 91773

P.N.: 75-3514075-RevA

ECO #: W21-0052

6

Thank you for choosing Westin products
for additional installation assistance please call
Customer Service (800) 793-7846

www.westinautomotive.com

DATE: 03/30/2023



WARNING



Failure to follow these instructions could lead to death, personal injury, and / or property damage.

Failure to follow these instructions could lead to death, personal injury, and / or property damage.

FASTENERS:

All Westin supplied fasteners must be utilized and installed in accordance with the installation instructions and apply torque to the specifications as defined. **DOUBLE CHECK ALL FASTENERS BEFORE INITIAL USE, AND PERIODICALLY IN THE FUTURE TO ENSURE PROPER FUNCTION AND SAFETY.**

DRILLING:

Most Westin products do not require drilling for installation. If drilling is defined as required, use caution when drilling a vehicle. **FAILURE TO REVIEW AN AREA TO BE DRILLED MAY RESULT IN PERSONAL INJURY AND/OR INJURY TO OTHERS AS WELL AS VEHICLE DAMAGE.**

EYE PROTECTION:

ALWAYS WEAR SAFETY GLASSES OR GOGGLES DURING THE INSTALLATION PROCESS TO AVOID PERSONAL INJURY.

MAXIMUM TOWING/CARRYING CAPACITY: (if applicable)

The Westin Receiver Hitches will have a visible tow rating label affixed directly on the product. User should never exceed the vehicle manufacturers maximum tow and weight rating regardless of the capacity of the hitch. **FAILURE TO FOLLOW THESE GUIDELINES WILL VOID THE WESTIN WARRANTY AND MAY RESULT IN PERSONAL INJURY AND/OR INJURY TO OTHERS AS WELL AS VEHICLE DAMAGE.**

FOR CALIFORNIA RESIDENTS ONLY-PROP 65 WARNING:

Some products may contain chemicals such as DEHP, which can cause cancer, birth defects or other reproductive harm. For more info go to www.p65warnings.ca.gov



Westin Automotive Products, Inc.
320 W. Covina Blvd
San Dimas, Ca. 91773