

# INSTALLATION INSTRUCTIONS

## DEFENDER REAR PARTITION



APPLICATION: 2021 Chevrolet Tahoe PPV

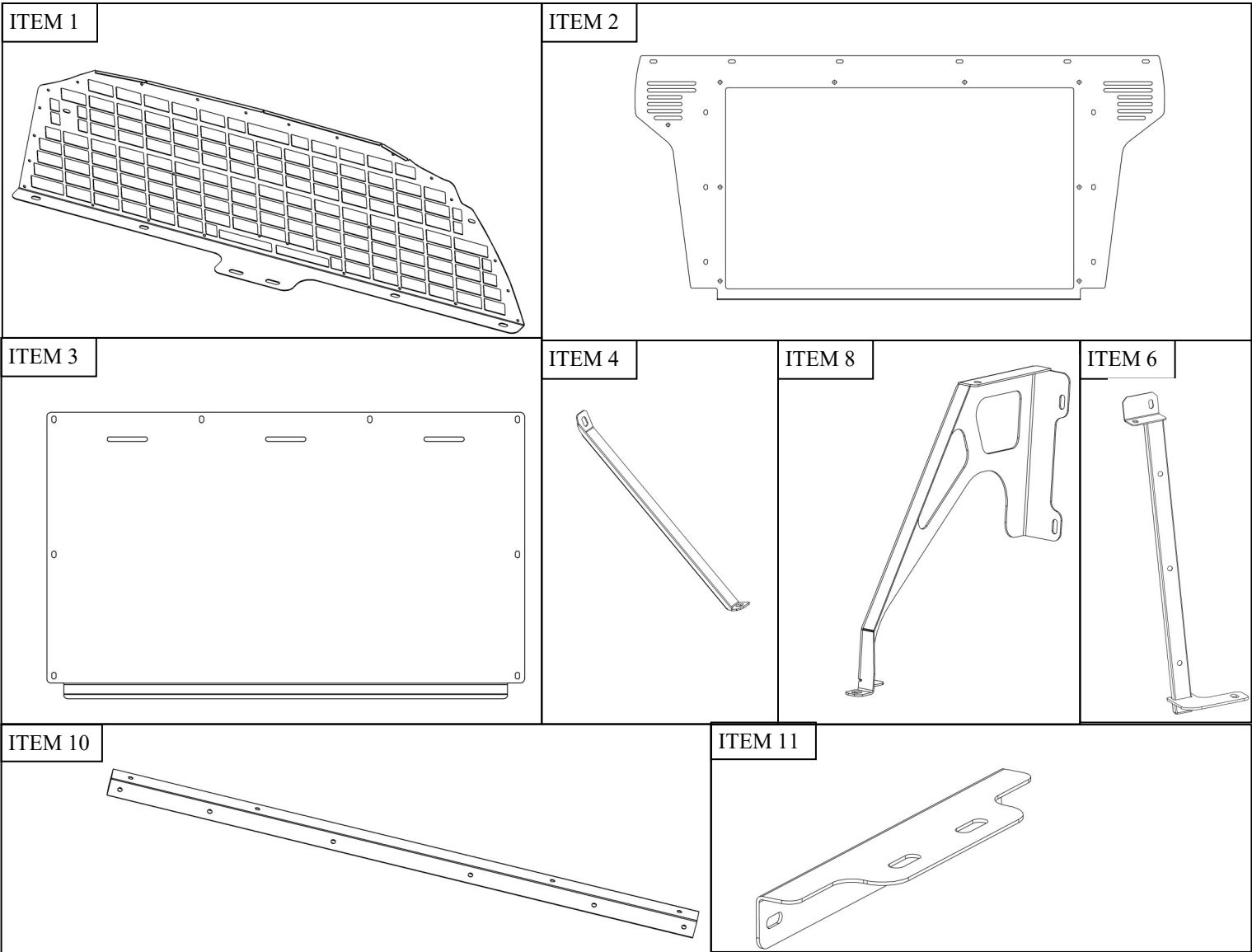
PART NUMBER: 35-12065

CONTENT			
ITEM	QUANTITY	DESCRIPTION	TOOLS NEEDED
1	1	SCREEN	18MM SOCKET
2	1	FILLER PANEL	15MM SOCKET
3	1	FILLER PANEL DOOR	13MM SOCKET
4	1	DRIVER STRAP	5MM ALLEN
5	1	PASSENGER STRAP	RATCHET
6	1	DRIVER MOUNING BRACKET	TORQUE WRENCH
7	1	PASSENGER MOUNTING BRACKET	TRIM TOOL
8	1	DRIVER UPRIGHT	
9	1	PASSENGER UPRIGHT	
10	1	CROSS FRAME	
11	1	BELT SUPPORT BRACKET	
12	26	M8 HEX HEAD BOLT SHORT	
13	4	M8 HEX HEAD BOLT LONG	
14	2	M8 BUTTON HEAD BOLT	
15	4	M8 FLANGE HEX HEAD NUT	
16	32	M8 FLAT WASHER	
17	28	M8 LOCK WASHER	
18	2	M10 FLANGE BOLT	
19	2	M12 FLANGE BOLT	

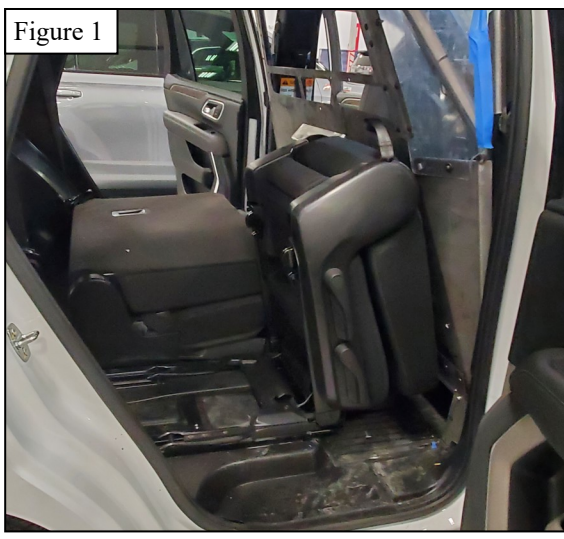
**ANTI-SEIZE LUBRICANT MUST BE USED ON ALL STAINLESS STEEL FASTENERS TO PREVENT THREAD DAMAGE AND GALLING**

### PROCEDURE

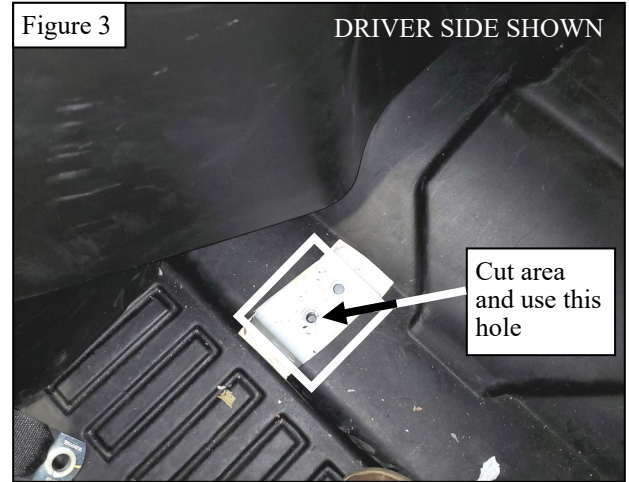
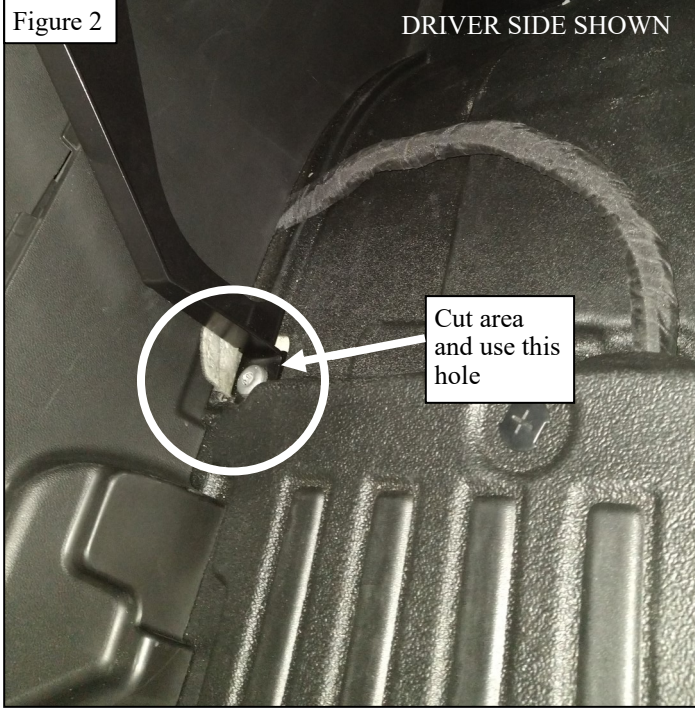
1. Remove contents from box, verify if all parts listed are present and free from damage.  
Carefully read and understand all instructions before attempting installation.  
**Failure to identify damage before installation could lead to a rejection of any claim.**



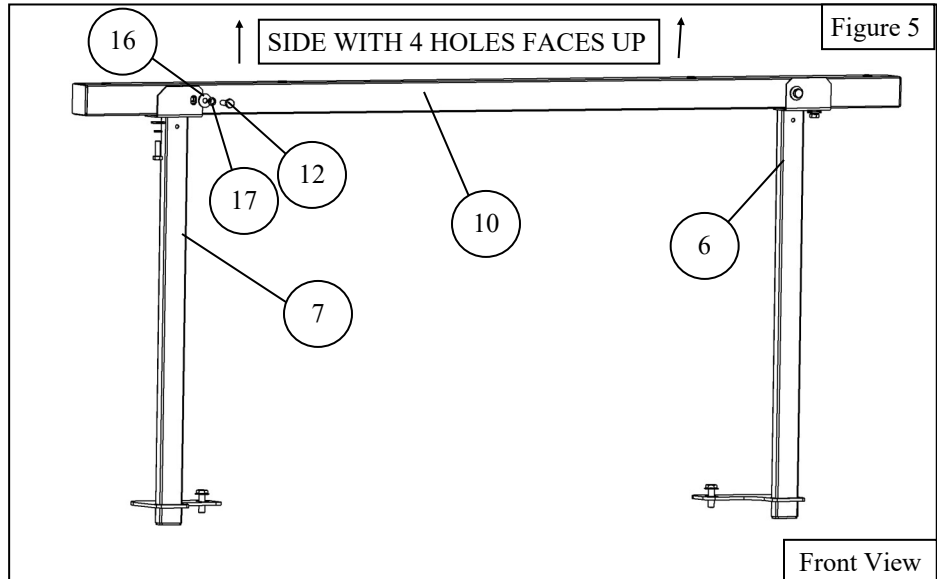
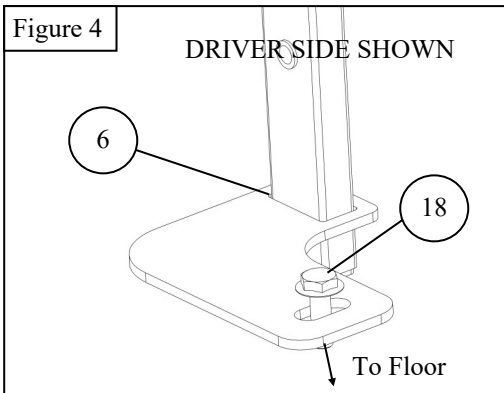
2. Roll and flip the rear seats toward the front of the vehicle for easy access. See Figure 1



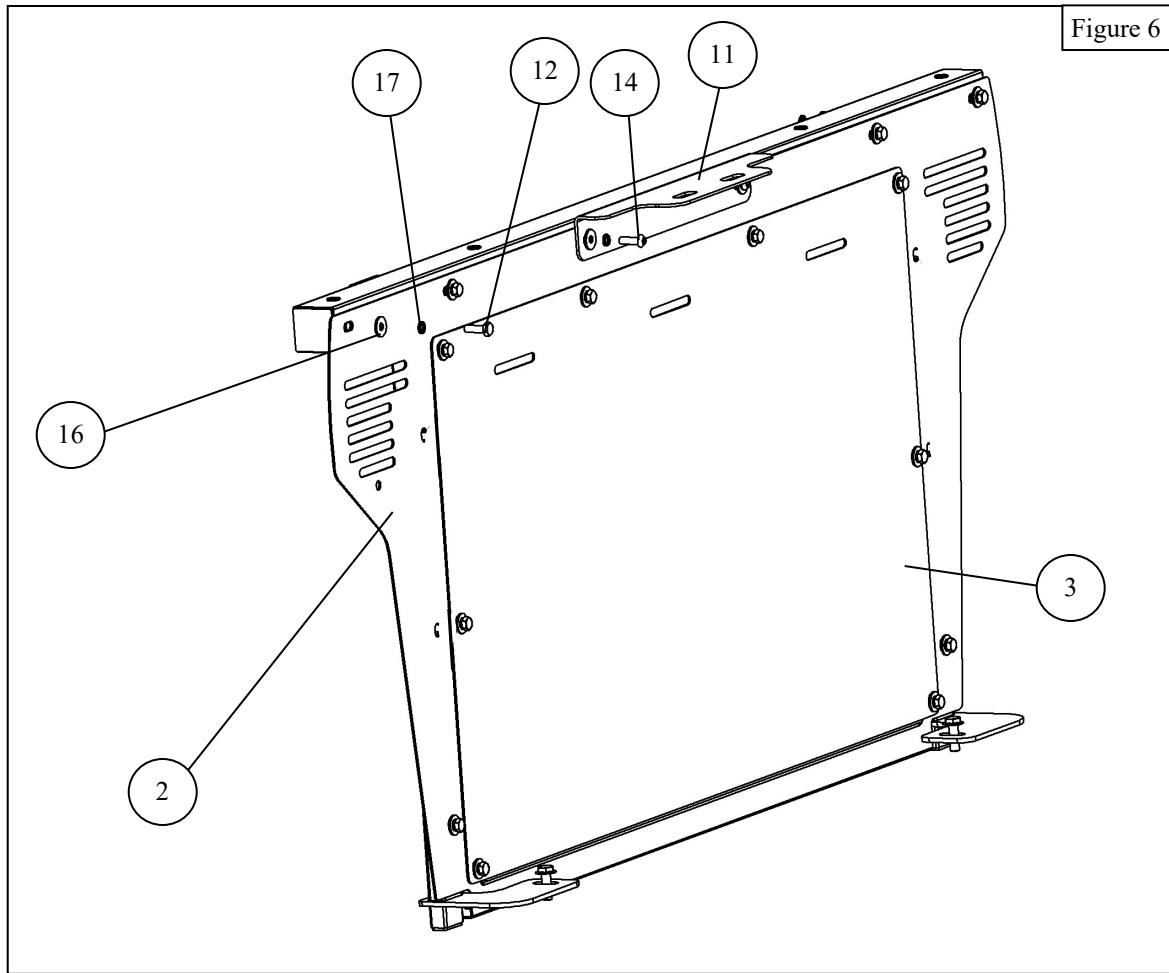
3. Locate the two rear holes on the floor for the upright brackets. Cut away enough rubber flooring just to access the holes. The front-most holes are 36.4 inches apart. The rear-most holes are 48 inches apart. *Note: if there are studs near the mounting holes, cut them off.* See **Figure 2-3**



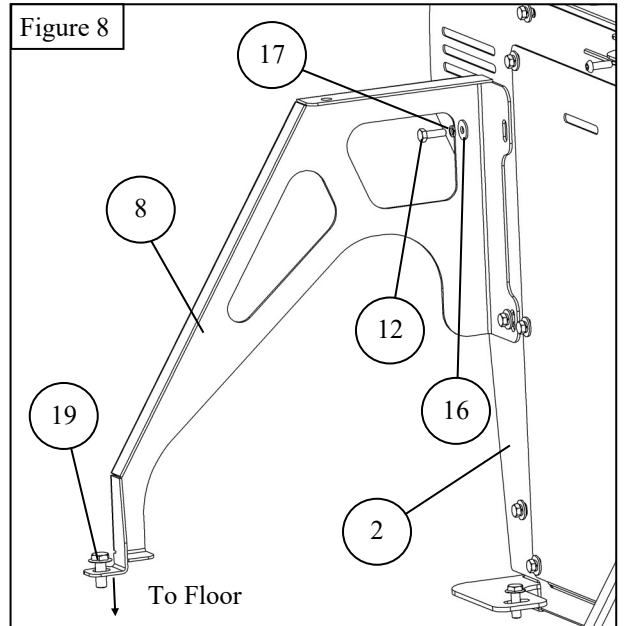
4. Locate the driver and passenger main mounting brackets (6,7). Loosely install the main brackets in the front holes you located using supplied M10 hardware. See **Figures 3 & 4**.
5. Assemble the cross frame to the mounting brackets using supplied M8 hardware 12 (short bolt) 16 & 17. See **Figure 5**



6. Using supplied M8 hardware 12 (short bolt) 16 & 17, loosely assemble the filler panel. After, loosely install the filler panel door. See Figure 6



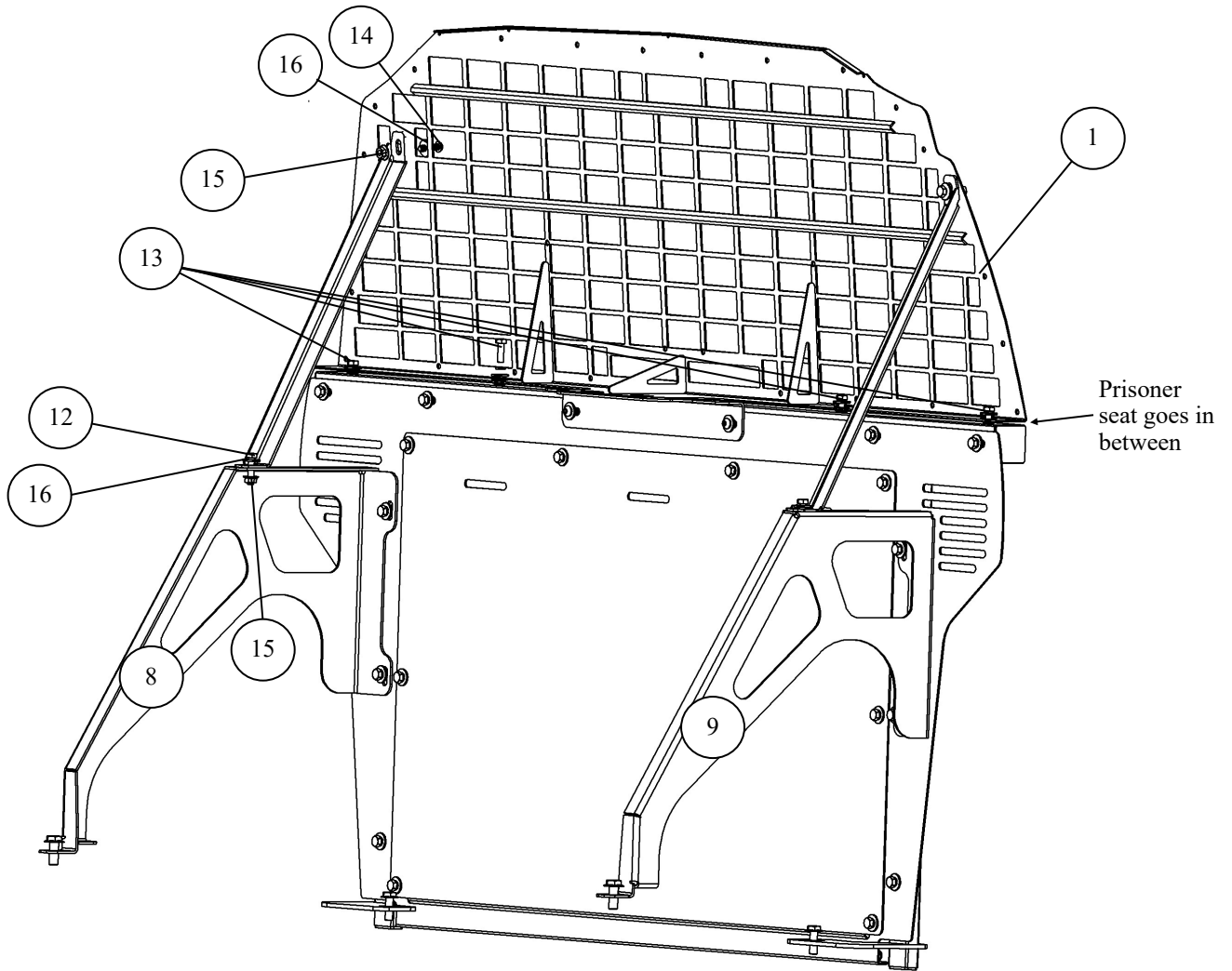
7. Locate the driver/passenger uprights (8,9). Using supplied M8 hardware 12 (short bolt) 16 & 17, Assemble the uprights to the outer filler panel. See Figure 7 & 8. and use the M12 Flange bolt (19) to install the upright in the vehicle's floor.





8. If you are installing the optional prisoner seat (35-14065), do so at this time. The prisoner seat will mount in between the cross frame and upper screen. **See Figure 9**
9. Locate the Screen (1) and driver/passenger straps (4,5). Using supplied M8 hardware 13 (long bolt) 16 & 17, loosely assemble the screen to the cross frame. Mount the straps to the uprights and screen using M8 Hardware 14, 16 & 15 at the top holes in the screen (1) (Item 14, bolt's round head must be facing the vehicle's front) and M8 Hardware 12 (short bolt), 16 & 15 on to the uprights holes (8, 9) **See Figure 9**

Figure 9



10. Adjust as needed and torque as specified: M8 to 15-18 ft. lbs., M10 to 35-38 ft. lbs., M12 to 50 ft. lbs.

INSTALLATION COMPLETE



#### CARE INSTRUCTIONS

- REGULAR WAXING IS RECOMMENDED. DO NOT USE ANY TYPE OF POLISH OR WAX THAT MAY CONTAIN ABRASIVES.
- STAINLESS STEEL PRODUCTS CAN BE CLEANED WITH MILD SOAP AND WATER. STAINLESS STEEL POLISH SHOULD BE USED TO POLISH SMALL SCRATCHES.
- GLOSS BLACK FINISHES SHOULD BE CLEANED WITH MILD SOAP AND WATER.

**WESTIN**

Westin Automotive Products, Inc.  
320 W. Covina Blvd  
San Dimas, Ca. 91773

Thank you for choosing Westin products  
for additional installation assistance please call  
Customer Service (800) 793-7846  
[www.westinautomotive.com](http://www.westinautomotive.com)



## WARNING



Failure to follow these instructions could lead to death, personal injury, and / or property damage.

Failure to follow these instructions could lead to death, personal injury, and / or property damage.

### FASTENERS:

All Westin supplied fasteners must be utilized and installed in accordance with the installation instructions and apply torque to the specifications as defined. **DOUBLE CHECK ALL FASTENERS BEFORE INITIAL USE, AND PERIODICALLY IN THE FUTURE TO ENSURE PROPER FUNCTION AND SAFETY.**

### DRILLING:

Most Westin products do not require drilling for installation. If drilling is defined as required, use caution when drilling a vehicle. **FAILURE TO REVIEW AN AREA TO BE DRILLED MAY RESULT IN PERSONAL INJURY AND/OR INJURY TO OTHERS AS WELL AS VEHICLE DAMAGE.**

### EYE PROTECTION:

**ALWAYS WEAR SAFETY GLASSES OR GOGGLES DURING THE INSTALLATION PROCESS TO AVOID PERSONAL INJURY.**

### MAXIMUM TOWING/CARRYING CAPACITY: (if applicable)

The Westin Receiver Hitches will have a visible tow rating label affixed directly on the product. User should never exceed the vehicle manufacturers maximum tow and weight rating regardless of the capacity of the hitch. **FAILURE TO FOLLOW THESE GUIDELINES WILL VOID THE WESTIN WARRANTY AND MAY RESULT IN PERSONAL INJURY AND/OR INJURY TO OTHERS AS WELL AS VEHICLE DAMAGE.**

### FOR CALIFORNIA RESIDENTS ONLY-PROP 65 WARNING:

Some products may contain chemicals such as DEHP, which can cause cancer, birth defects or other reproductive harm. For more info go to [www.p65warnings.ca.gov](http://www.p65warnings.ca.gov)



Westin Automotive Products, Inc.  
320 W. Covina Blvd  
San Dimas, Ca. 91773