

INSTALLATION INSTRUCTIONS



**DEFENDER FRONT MODULAR
APPLICATION:
2021-2023 CHEVROLET TAHOE POLICE PURSUIT VEHICLE
PART NUMBER:
35-10095, 35-10095-D**

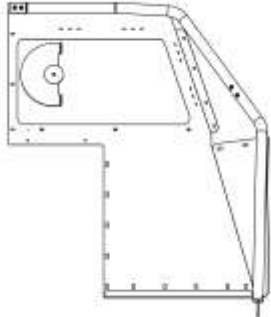
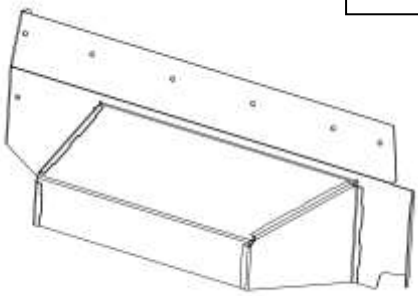
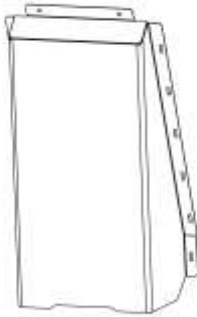




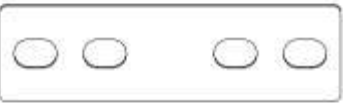
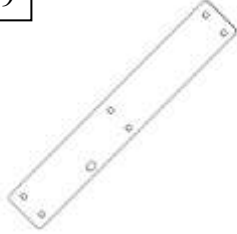
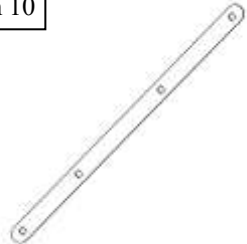
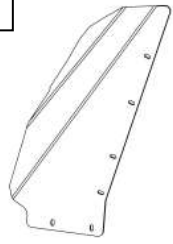
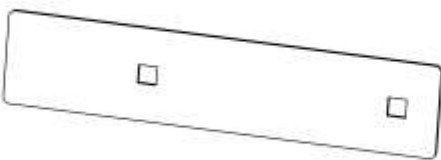

CONTENT			
ITEM	QUANTITY	DESCRIPTION	TOOLS NEEDED
1	1	FRONT DRIVER PARTITION	10MM SOCKET
2	1	DRIVER FEET POCKET	10MM WRENCH
3	1	RECESSED PANEL	13MM SOCKET
4	2	FILLER PLATE	13MM WRENCH
5	1	UPPER MOUNTING DRIVER BRACKET	16MM SOCKET
6	1	MOUNTING DRIVER BRACKET	16MM WRENCH
7	1	DRIVER STRAP	7/16" SOCKET
8	1	UPPER LINK BRACKET	RATCHET
9	1	WINDOW LINK BRACKET	TORQUE WRENCH
10	2	AIR BAG PLATE	4MM ALLEN WRENCH
11	1	POLYCARBONATE DRIVER AIR BAG RELIEF	5MM ALLEN WRENCH
12	2	CARRIAGE BOLT PLATE	PHILLIPS SCREWDRIVER
13	1	CROSS BAR	
14	1	FRONT PASSENGER PARTITION	TRIM TOOL
15	1	PASSENGER FEET POCKET	
16	1	UPPER MOUNTING PASSENGER BRACKET	
17	1	MOUNTING PASSENGER BRACKET	
18	1	PASSENGER STRAP	
19	1	POLYCARBONATE PASSENGER AIR BAG RELIEF	
20	30	1/4" LONG CARRIAGE BOLT 3/4"	
21	33	1/4" THICK FLAT WASHER	
22	33	1/4" INTERNAL TOOTH WASHER	
23	33	1/4" A-CORN NUT	
24	11	1/4" SHORT CARRIAGE BOLT 5/8"	
25	2	1/4" SERRATED FLANGE HEX NUT	
26	4	M6 BUTTON HEAD CAP SCREW	
27	4	M6 FLAT WASHER	
28	16	M6 SHORT FLAT WASHER	
29	16	M6 SERRATED FLANGE HEX NUT	
30	4	M6 LOCK WASHER	

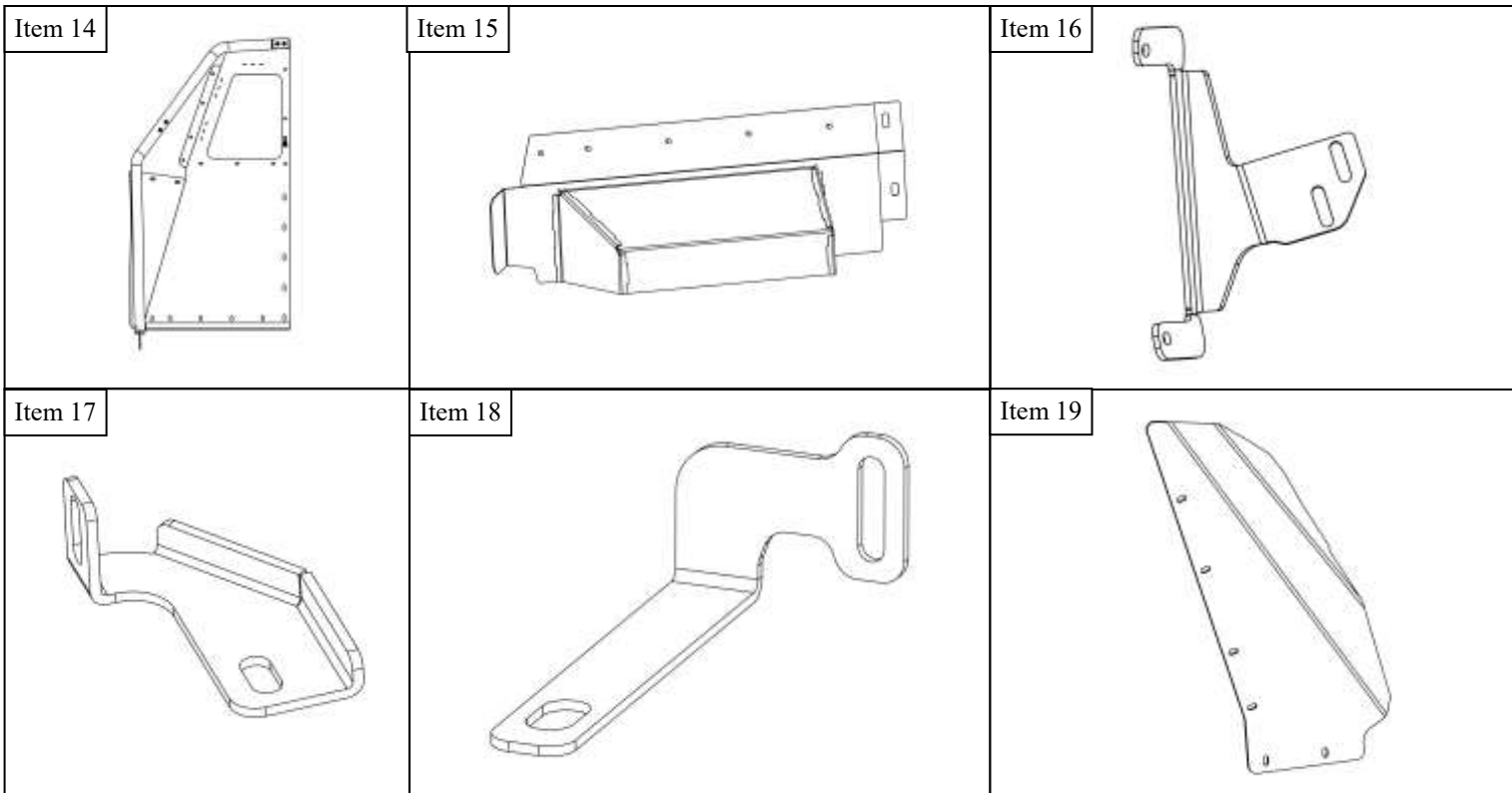
ANTI-SEIZE LUBRICANT MUST BE USED ON ALL STAINLESS STEEL FASTENERS TO PREVENT THREAD DAMAGE AND GALLING

CONTENT

ITEM	QUANTITY	DESCRIPTION	TOOLS NEEDED
32	4	M8 HEX HEAD CAP SCREW	
33	4	M8 BUTTON HEAD CAP SCREW	
34	8	M8 FLAT WASHER	
35	8	M8 SPLIT LOCK WASHER	
36	2	M10 SERRATED FLANGE BOLT	
37	2	M10 SERRATED FLANGE NUT	
38	6	CROSS RECESSED PAN HEAD TAPPING SCREWS	

ANTI-SEIZE LUBRICANT MUST BE USED ON ALL STAINLESS STEEL FASTENERS TO PREVENT THREAD DAMAGE AND GALLING

Item 1 	Item 2 	Item 3 	
Item 4 	Item 5 	Item 6 	Item 7 
Item 8 	Item 9 	Item 10 	Item 11 
Item 12 	Item 13 		

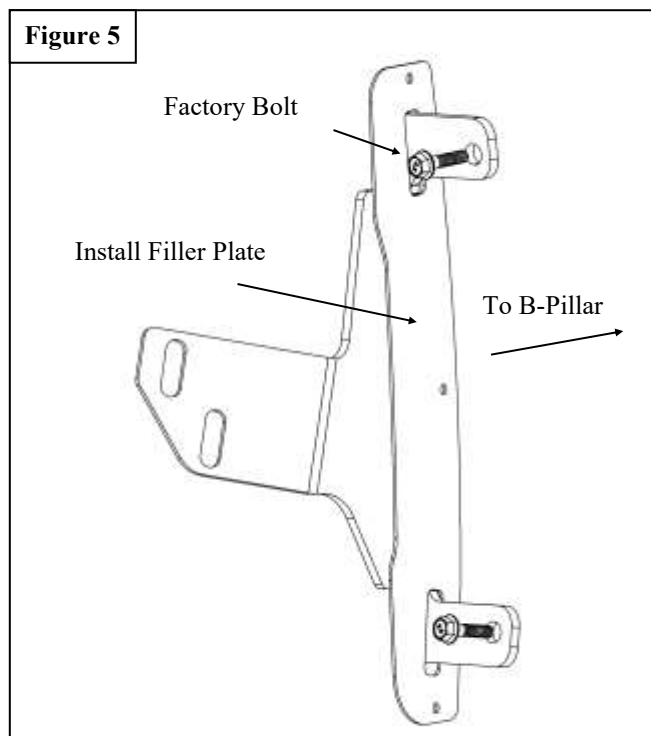
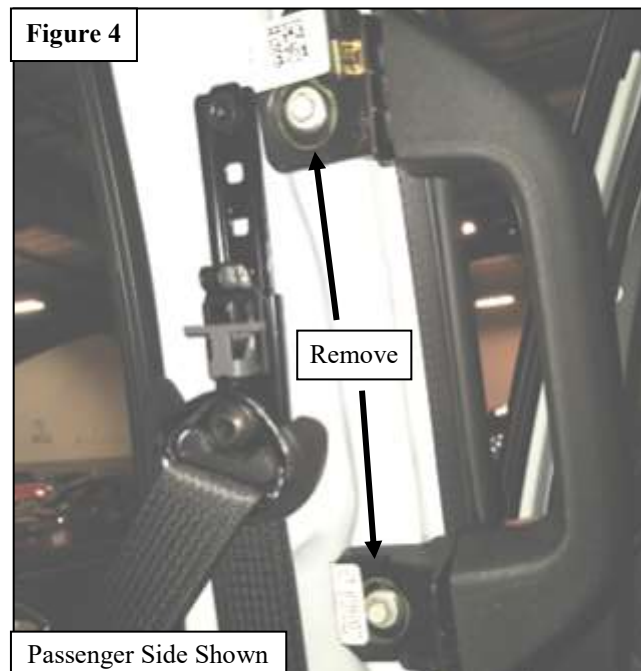
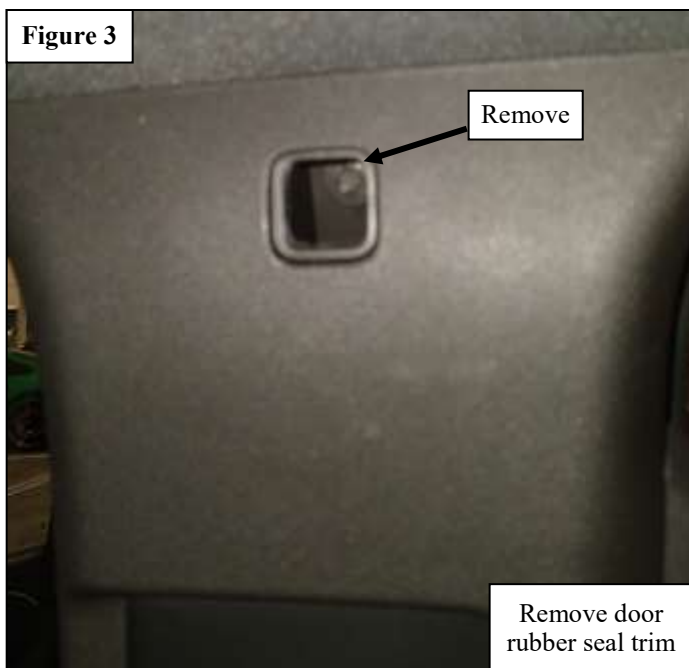


PROCEDURE

1. Remove contents from box, verify if all parts listed are present and free from damage. Carefully read and understand all instructions before attempting installation. **Failure to identify damage before installation could lead to a rejection of any claim.**
2. Start the installation by moving forward both the driver and passenger to expose OEM rear seats bolts.
3. Starting on either side, remove the rear bolts out of the front seat. Locate the Mounting Driver Bracket (**Item 6**), Mounting Passenger Bracket (**Item 17**), Driver strap (**Item 7**), Passenger Strap (**Item 18**). Slide the mounting brackets under the outer seat rails. Slide the straps under the inner seat rails. Loosely install the factory bolts back again. See **Figure 1 & 2** for reference.

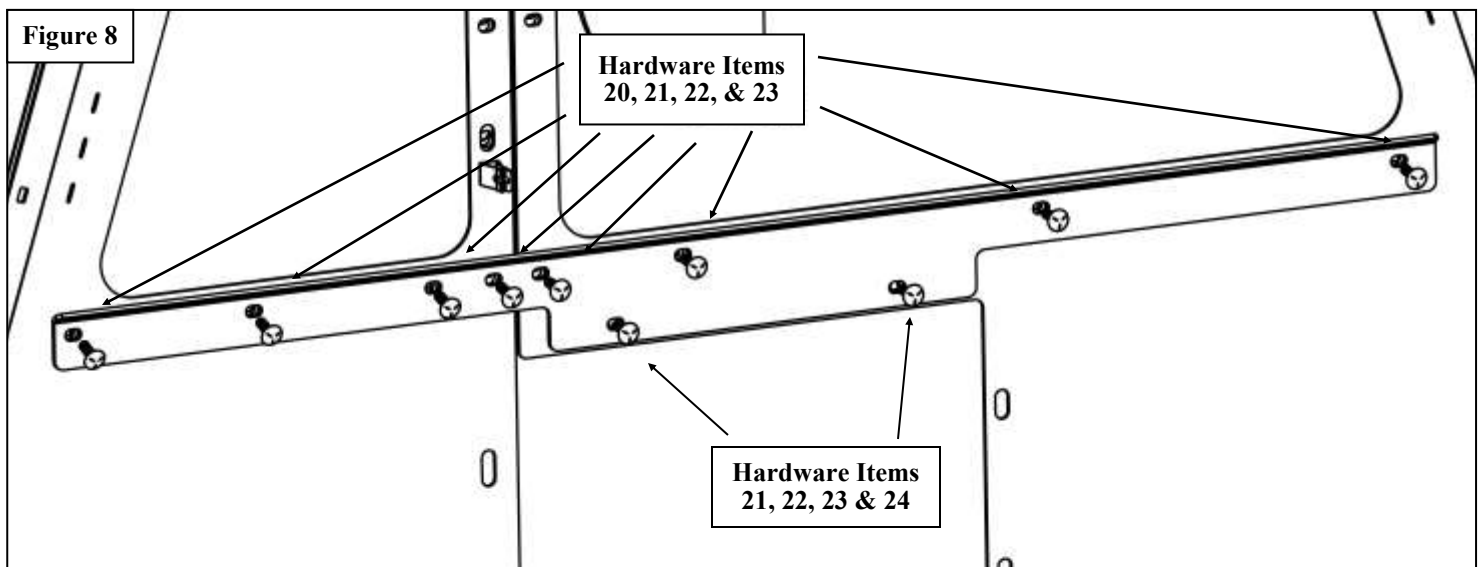
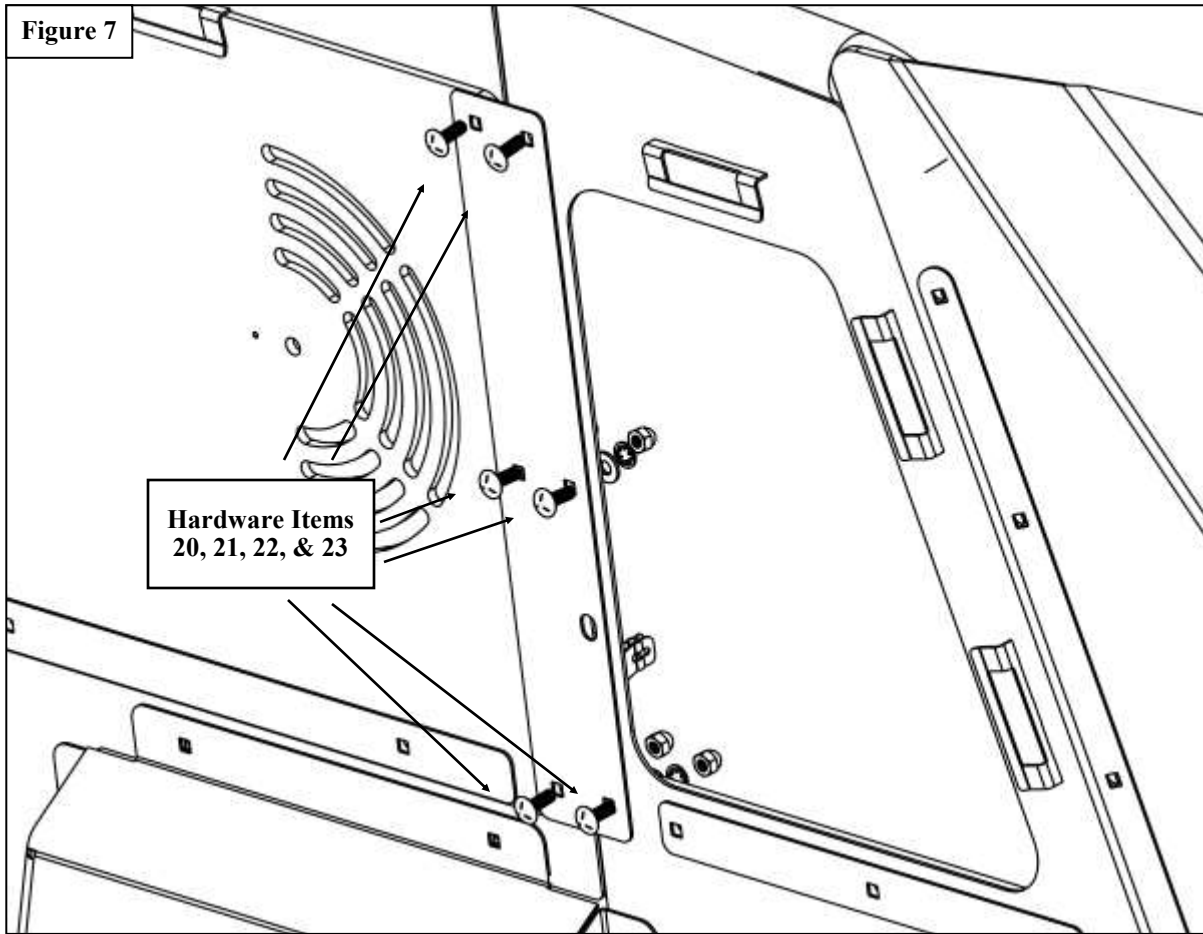


4. Remove the square tab and remove the top screw in the B-Pillar. Using the trim removal tool, remove the plastic paneling on the B-Pillar to access the grab handle. Remove the door rubber seal trim. Remove the factory bolts and grab handle on the passenger side. See **Figure 3 & 4** for reference.
5. Make sure to slide in the Filler Plate (**Item 4**) onto both the Upper Mounting Driver Bracket (**Item 5**) and Upper Mounting Passenger Bracket (**Item 16**). Re-using the factory bolts, assemble the Upper Mounting Driver Bracket (**Item 5**) and Upper Mounting Passenger Bracket (**Item 16**) to the grab handle bolt holes. Reinstall the factory trim. See **Figures 5 & 6** for reference.
6. Using the supplied Cross Recessed Pan Head Tapping Screw (**Item 38**), assemble the cover plate to the factory trim



NOTE: Assemble the Front Driver Partition (**Item 1**) and the Front Passenger Partition (**Item 14**) outside the vehicle. If Defender Single Cell Partition (**Part # 35-210095**) is already installed, loosen and remove hardware then attach the Front Driver Partition (**Item 1**) to the Front Passenger Partition (**Item 14**).

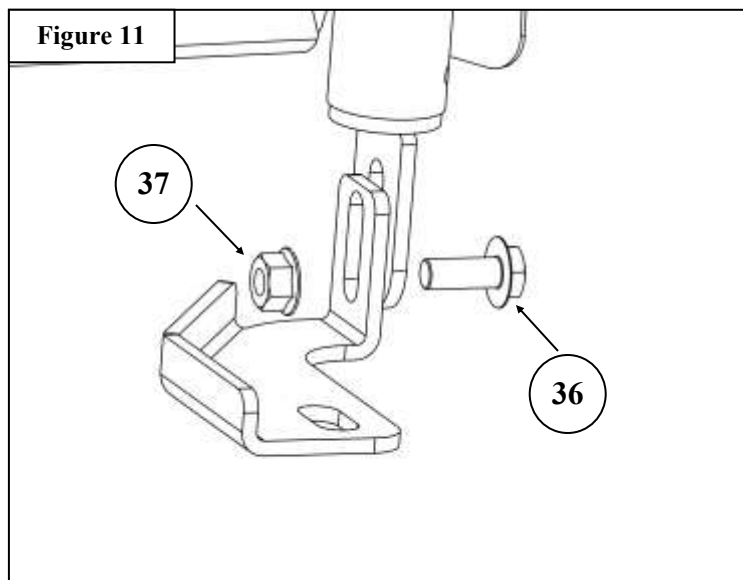
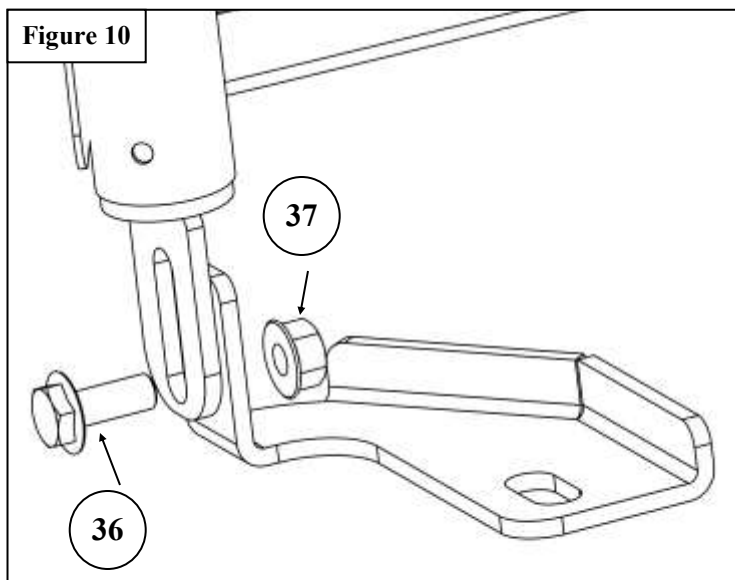
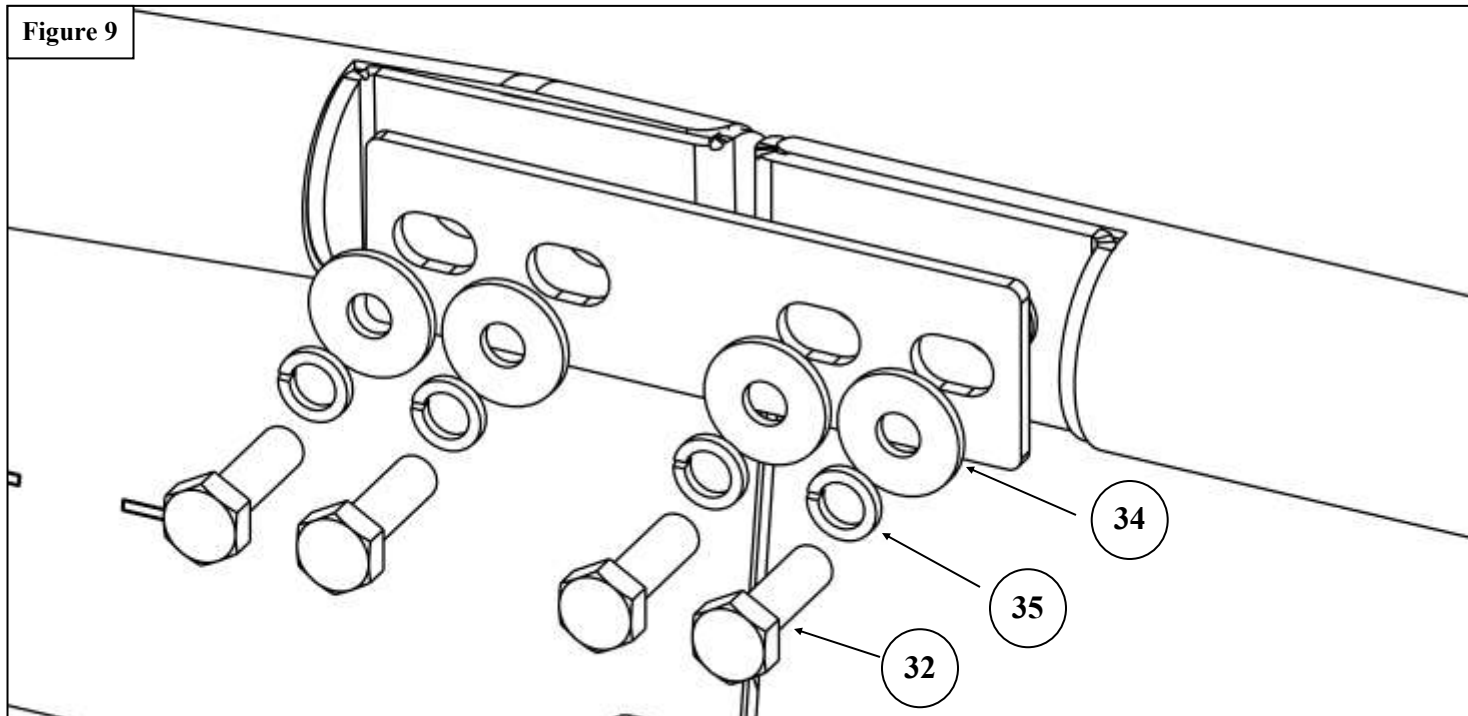
7. Using the provided hardware, locate and install the Window Link Bracket (**Item 9**) to connect both the Front Driver Partition (**Item 1**) and Front Passenger Partition (**Item 14**). See **Figure 7** for reference.
8. Locate the Cross Bar (**Item 13**) and loosely, using the provided hardware, install it to the Front Driver Partition (**Item 1**)



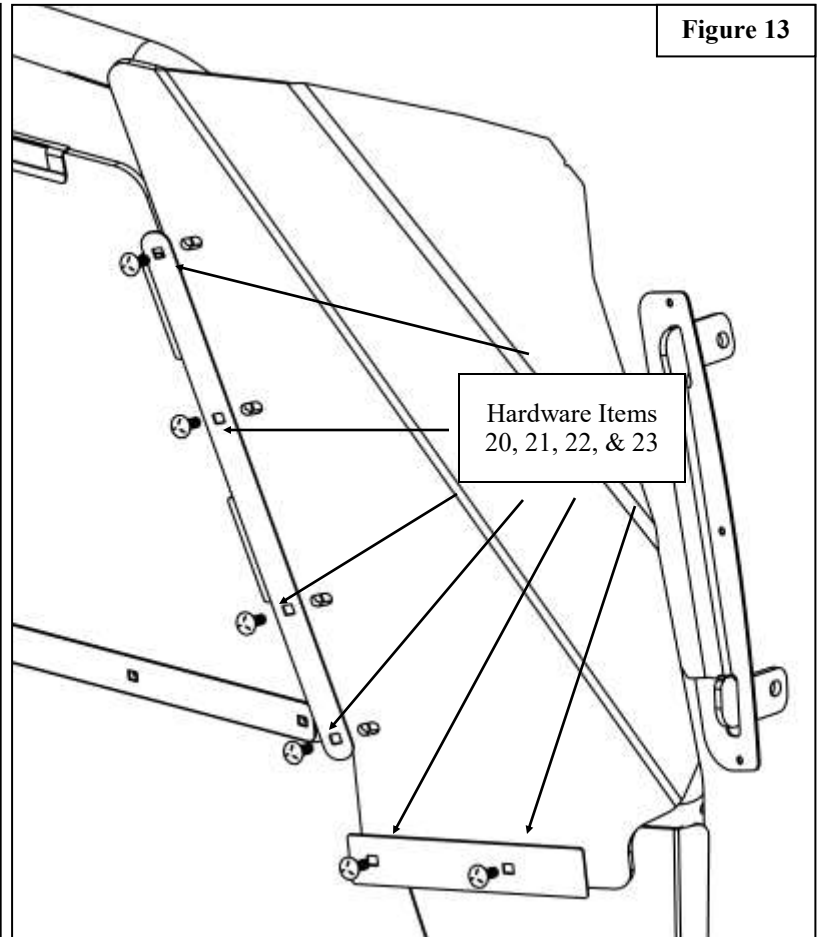
WESTIN

Westin Automotive Products, Inc.
320 W. Covina Blvd
San Dimas, Ca. 91773

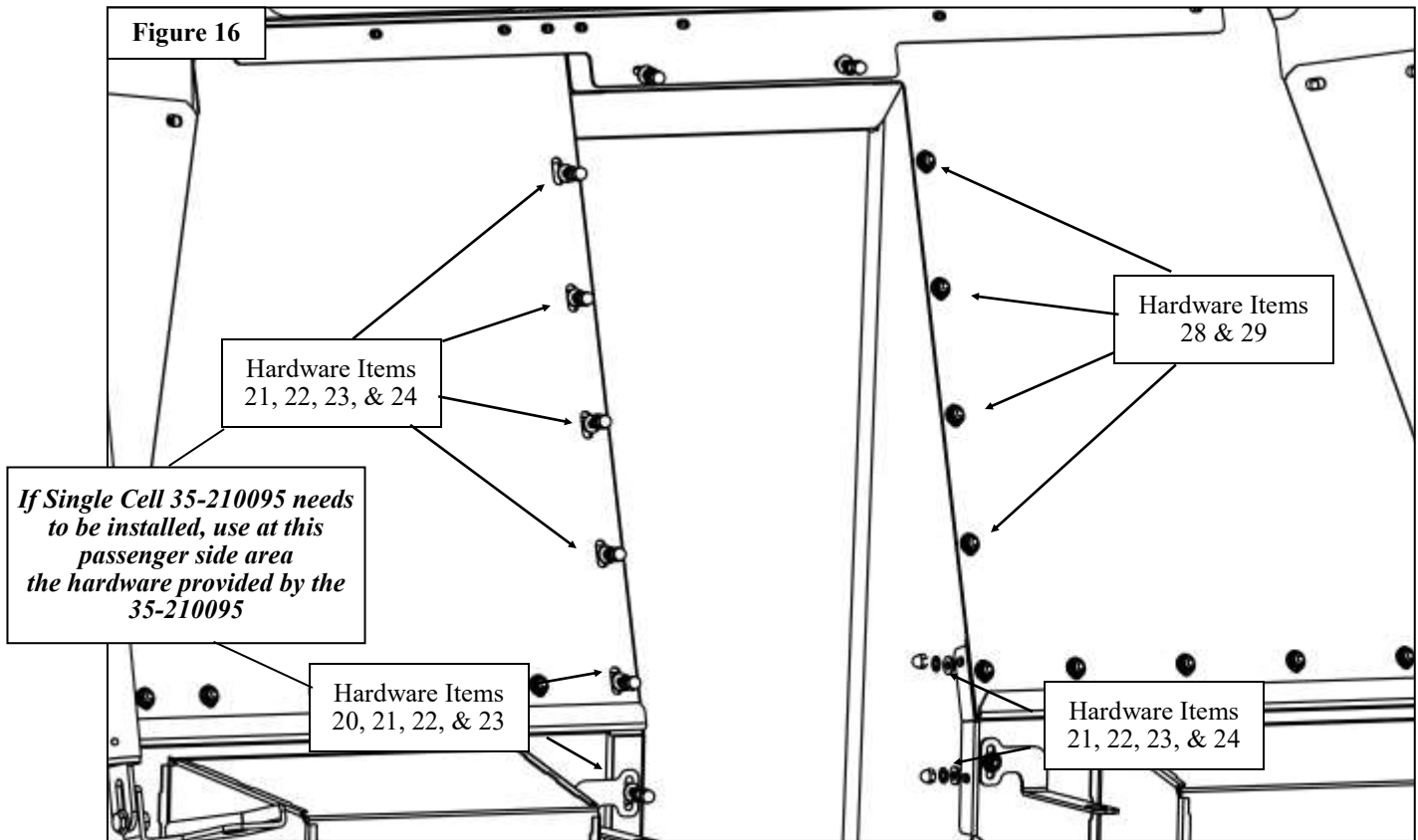
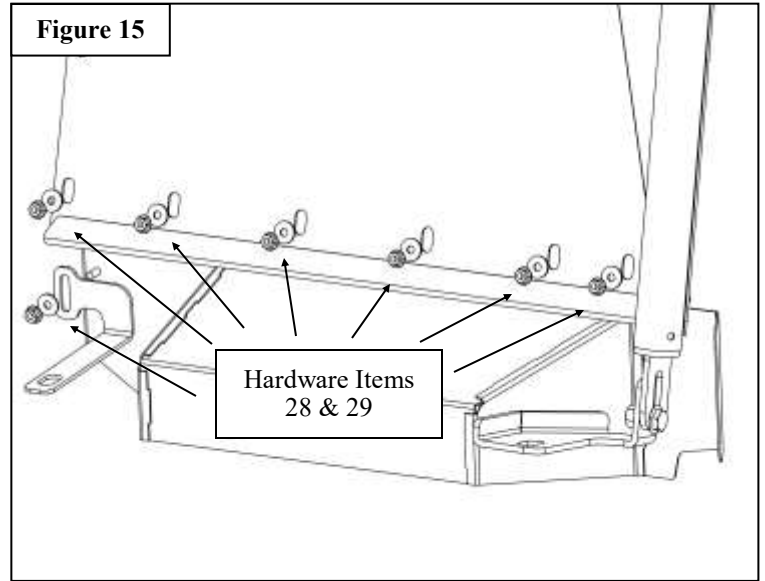
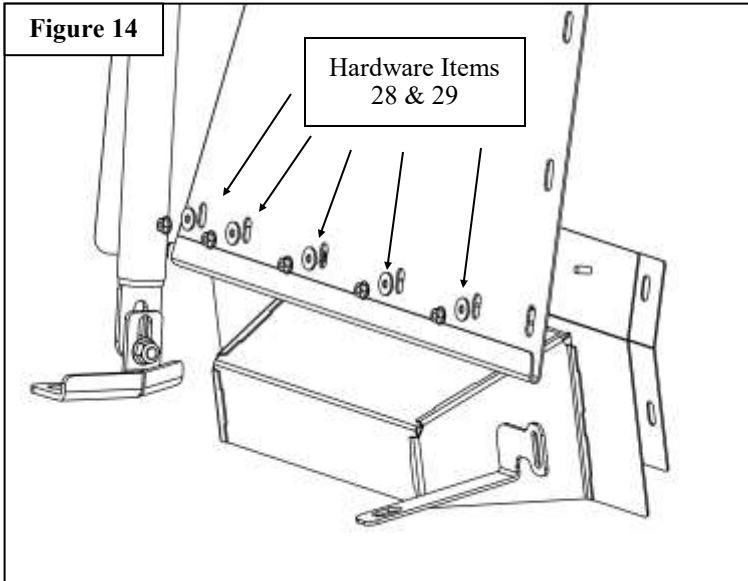
9. Locate the Upper Link Bracket (**Item 8**) and loosely, using the provided hardware, install it to the Front Driver Partition (**Item 1**) and Front Passenger Partition (**Item 14**) together. See **Figure 9** for reference.
10. Once completing **Steps 6-8**, move the assembly inside the vehicle.
11. Using the hardware provided loosely attach the Front Passenger Partition (**Item 14**) to the Mounting Passenger Bracket (**Item 17**). See **Figure 10** for reference.
12. Using the hardware provided loosely attach the Front Driver Partition (**Item 1**) to the Mounting Driver Bracket (**Item 6**). See **Figure 11** for reference.



13. Using the hardware provided loosely attach the Upper Mounting Bracket (**Item 5**) to the Front Driver Partition (**Item 1**). See **Figure 12** for reference.
14. Using the hardware provided loosely attach the Upper Mounting Passenger Bracket (**Item 16**) to the Front Passenger Partition (**Item 14**). See **Figure 12** for reference.
15. Locate the Polycarbonate Passenger Air Bag Relief (**Item 19**), Carriage Bolt Plate (**Item 12**), and Air Bag Plate (**Item 10**) to loosely attach it to the Front Passenger Partition (**Item 14**). See **Figure 13** for reference.
16. Locate the Polycarbonate Driver Air Bag Relief (**Item 11**), Carriage Bolt Plate (**Item 12**), and Air Bag Plate (**Item 10**) to loosely attach it to the Front Driver Partition (**Item 1**). See **Figure 13** for reference.



17. Using the provided hardware loosely attach the Passenger Feet Pocket (**Item 15**) to the Front Passenger Partition (**Item 14**). See **Figure 14** for reference.
18. Using the provided hardware loosely attach the Driver Feet Pocket (**Item 2**) to the Front Driver Partition (**Item 1**). See **Figure 15** for reference.
19. Locate the Recessed Panel (**Item 3**) and loosely, using the provided hardware, attach it to the Driver and Passenger Strap (**Item 7 & 8**), Front Driver Partition (**Item 1**), and Front Passenger Partition (**Item 14**). See **Figure 16** for reference.
20. Align and adjust the Defender Front Partition. Tighten and torque all hardware as specified M6 to 8-11 ft-lbs., M8 to 15-18 ft-lbs., and M10 to 35-38 ft-lbs.



INSTALLATION COMPLETE



NOTE: THE IMAGES ARE FOCUSED ON THE FRONT PARTITION AND THE SINGLE CELL.

CARE INSTRUCTIONS

- REGULAR WAXING IS RECOMMENDED. DO NOT USE ANY TYPE OF POLISH OR WAX THAT MAY CONTAIN ABRASIVES.
- STAINLESS STEEL PRODUCTS CAN BE CLEANED WITH MILD SOAP AND WATER. STAINLESS STEEL POLISH SHOULD BE USED TO POLISH SMALL SCRATCHES.
- GLOSS BLACK FINISHES SHOULD BE CLEANED WITH MILD SOAP AND WATER.

WESTIN

Westin Automotive Products, Inc.
320 W. Covina Blvd
San Dimas, Ca. 91773

Thank you for choosing Westin products
for additional installation assistance please call
Customer Service (800) 793-7846
www.westinautomotive.com



WARNING



Failure to follow these instructions could lead to death, personal injury, and / or property damage.

Failure to follow these instructions could lead to death, personal injury, and / or property damage.

FASTENERS:

All Westin supplied fasteners must be utilized and installed in accordance with the installation instructions and apply torque to the specifications as defined. **DOUBLE CHECK ALL FASTENERS BEFORE INITIAL USE, AND PERIODICALLY IN THE FUTURE TO ENSURE PROPER FUNCTION AND SAFETY.**

DRILLING:

Most Westin products do not require drilling for installation. If drilling is defined as required, use caution when drilling a vehicle. **FAILURE TO REVIEW AN AREA TO BE DRILLED MAY RESULT IN PERSONAL INJURY AND/OR INJURY TO OTHERS AS WELL AS VEHICLE DAMAGE.**

EYE PROTECTION:

ALWAYS WEAR SAFETY GLASSES OR GOGGLES DURING THE INSTALLATION PROCESS TO AVOID PERSONAL INJURY.

MAXIMUM TOWING/CARRYING CAPACITY: (if applicable)

The Westin Receiver Hitches will have a visible tow rating label affixed directly on the product. User should never exceed the vehicle manufacturers maximum tow and weight rating regardless of the capacity of the hitch. **FAILURE TO FOLLOW THESE GUIDELINES WILL VOID THE WESTIN WARRANTY AND MAY RESULT IN PERSONAL INJURY AND/OR INJURY TO OTHERS AS WELL AS VEHICLE DAMAGE.**

FOR CALIFORNIA RESIDENTS ONLY-PROP 65 WARNING:

Some products may contain chemicals such as DEHP, which can cause cancer, birth defects or other reproductive harm. For more info go to www.p65warnings.ca.gov



Westin Automotive Products, Inc.
320 W. Covina Blvd
San Dimas, Ca. 91773