

# INSTALLATION INSTRUCTIONS



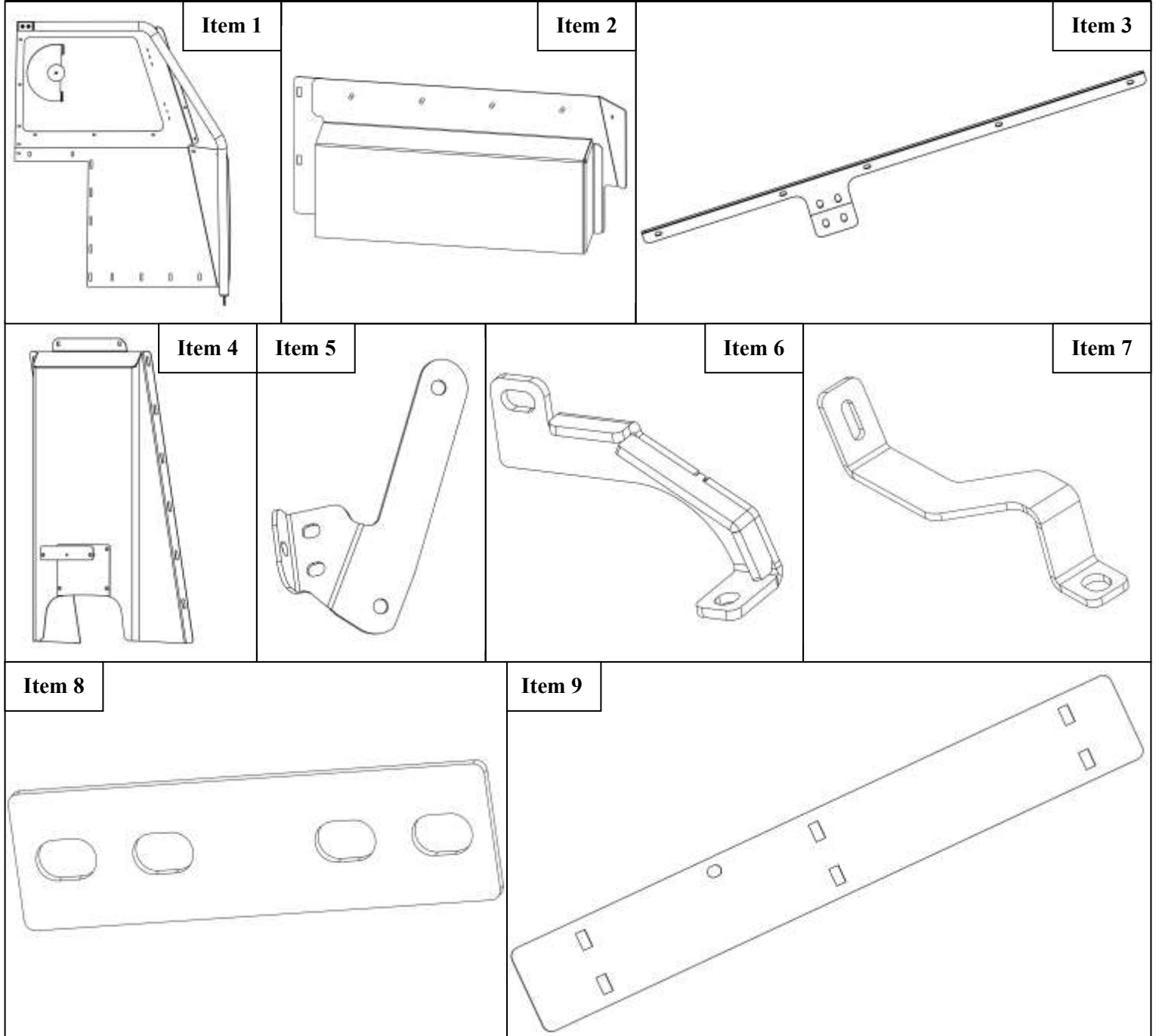
**DEFENDER FRONT MODULAR**  
**APPLICATION:**  
**2020-2023 FORD POLICE INTERCEPTOR UTILITY (PIU)**  
**PART NUMBER:**  
**35-10085**

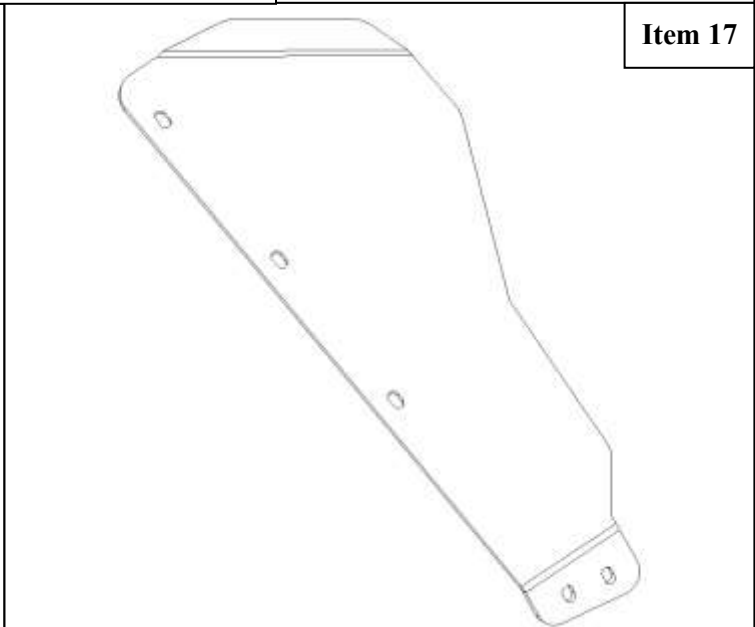
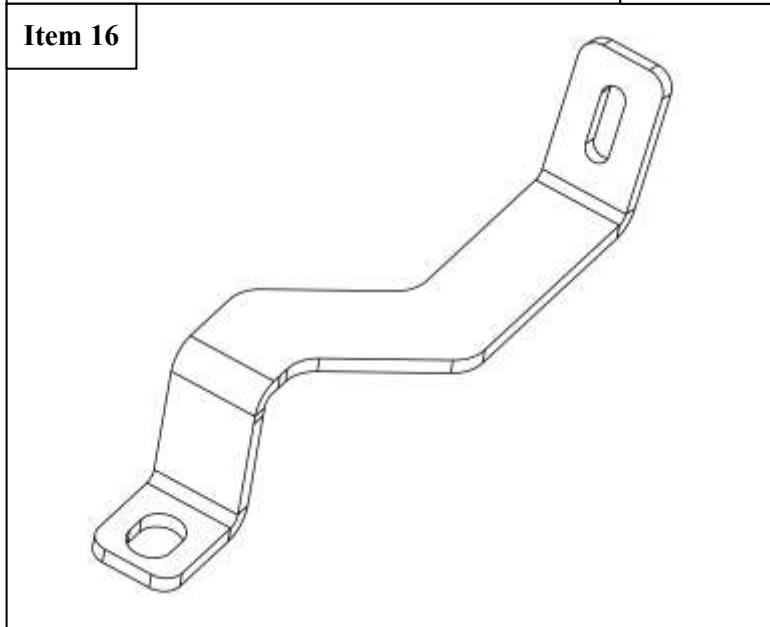
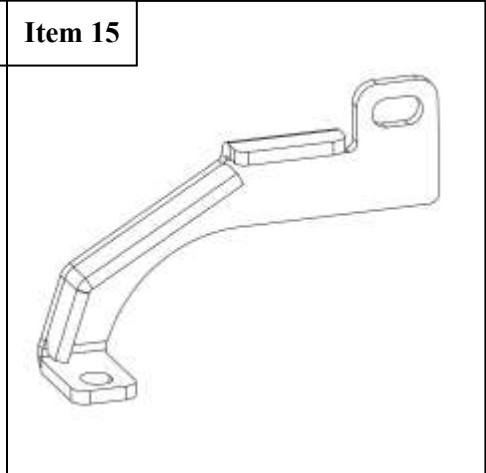
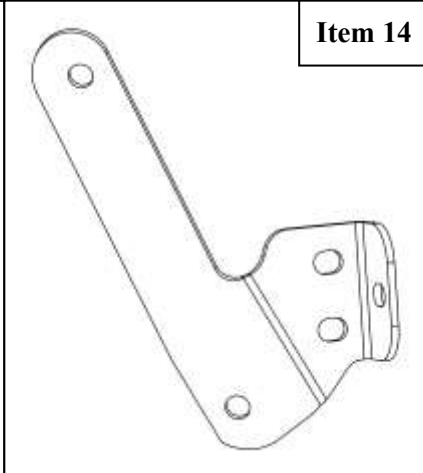
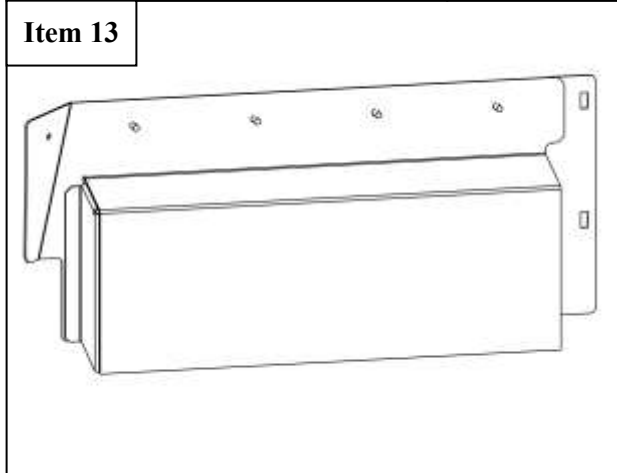
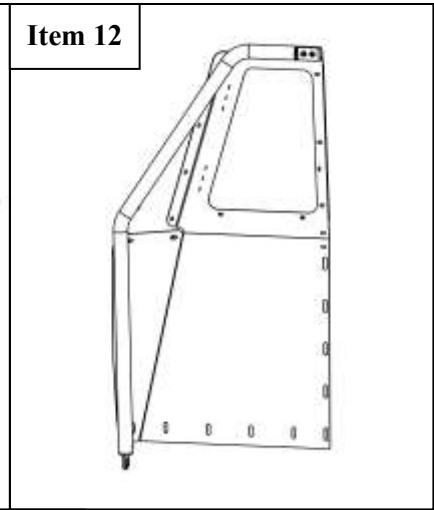
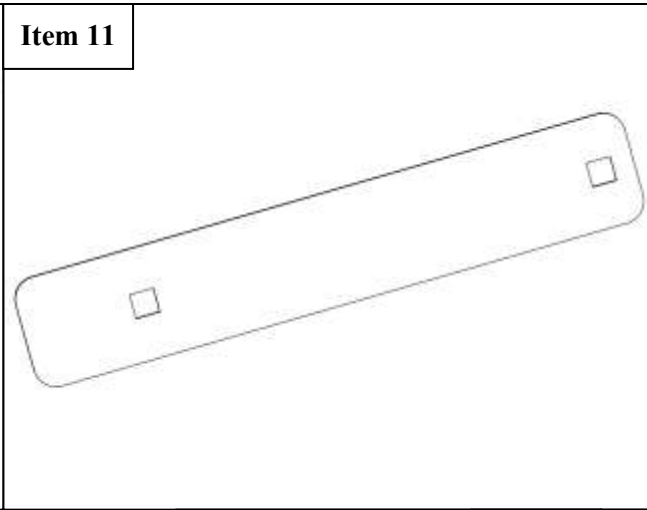
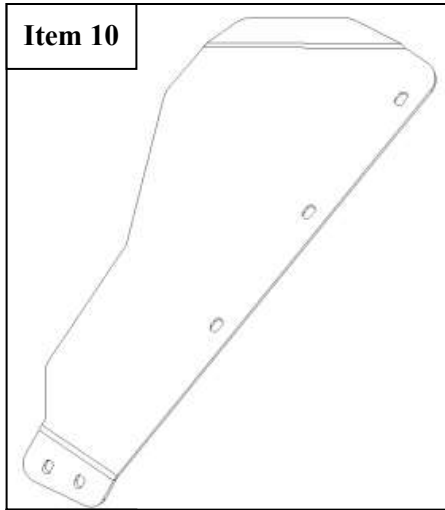
<b>CONTENT</b>			
ITEM	QUANTITY	DESCRIPTION	TOOLS NEEDED
1	1	FRONT DRIVER PARTITION	10MM SOCKET
2	1	DRIVER FEET POCKET	10MM WRENCH
3	1	CROSS BAR SUPPORT	13MM SOCKET
4	1	RECESSED PANEL W/ ACCESSORIES	13MM WRENCH
5	1	UPPER MOUNT DRIVER BRACKET	16MM SOCKET
6	1	DRIVER MOUNTING BRACKET	16MM WRENCH
7	1	DRIVER STRAP	7/16" SOCKET
8	1	UPPER LINK BRACKET	RATCHET
9	1	WINDOW LINK BRACKET	TORQUE WRENCH
10	1	POLYCARBONATE DRIVER AIR BAG RELIEF	4MM ALLEN WRENCH
11	2	CARRIAGE BOLT PLATE	5 MM ALLEN WRENCH
12	1	FRONT PASSENGER PARTITION	PHILLIPS SCREWDRIVER
13	1	PASSENGER FEET POCKET	
14	1	UPPER MOUNT PASSENGER BRACKET	
15	1	PASSENGER MOUNTING BRACKET	
16	1	PASSENGER STRAP	
17	1	POLYCARBONATE PASSENGER AIR BAG RELIEF	
18	23	1/4" MEDIUM CARRIAGE BOLT	
19	33	1/4" THICK FLAT WASHER	
20	33	1/4" INTERNAL TOOTH WASHER	
21	33	1/4" A-CORN NUT	
22	11	1/4" SHORT CARRIAGE BOLTS	
23	2	1/4 "SERRATE FLANGE HEX NUT	
24	7	1/4" LONG CARRIAGE BOLTS	
25	2	M10 SERRATE FLANGE BOLT	
26	2	M10 SERRATE FLANGE NUT	
27	4	M8 HEX HEAD CAP SCREW	
28	6	M8 BUTTON HEAD CAP SCREW	
29	10	M8 FLAT WASHER	
30	10	M8 SPLIT LOCK WASHER	

**ANTI-SEIZE LUBRICANT MUST BE USED ON ALL STAINLESS STEEL FASTENERS TO PREVENT THREAD DAMAGE AND GALLING**

31	4	M6 LONG BUTTON HEAD CAP SCREW	
32	2	M6 SHORT BUTTON HEAD CAP SCREW	
33	4	M6 LARGE FLAT WASHER	
34	16	M6 SMALL FLAT WASHER	
35	14	M6 SERRATE FLANGE NUT	
36	6	M6 SPLIT LOCK WASHER	

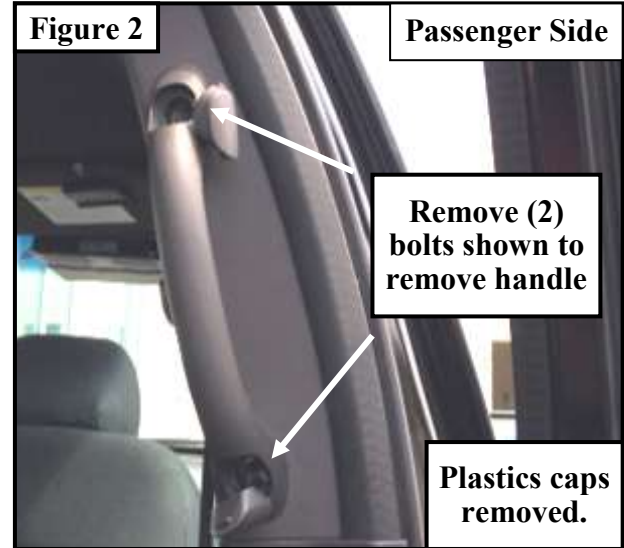
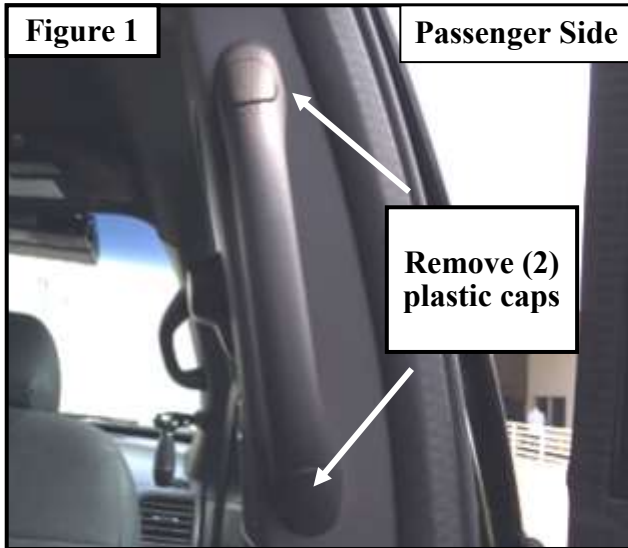
**ANTI-SEIZE LUBRICANT MUST BE USED ON ALL STAINLESS STEEL FASTENERS TO PREVENT THREAD DAMAGE AND GALLING**



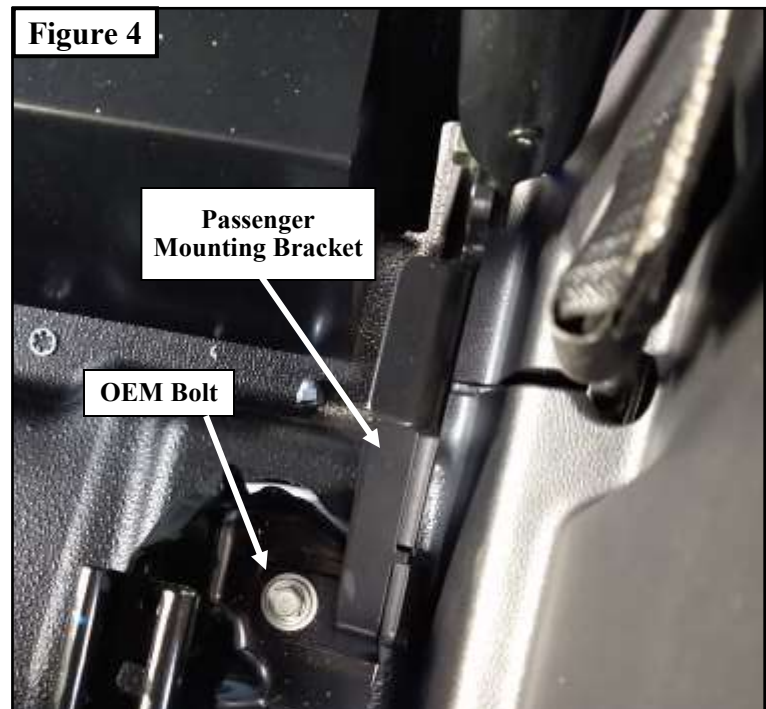
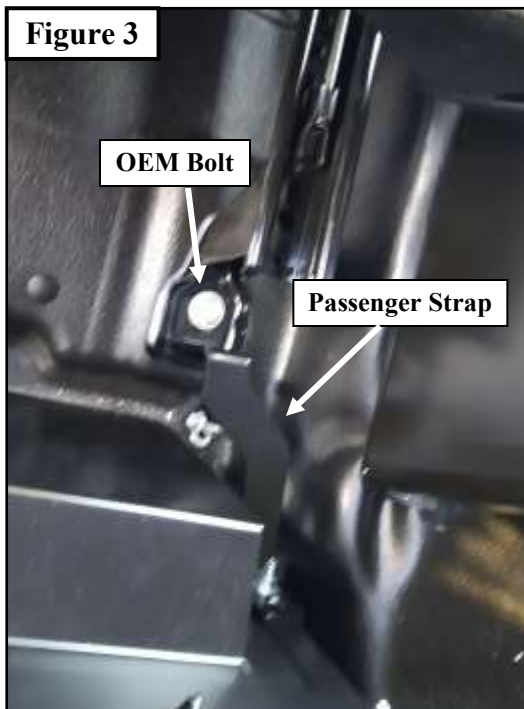


## PROCEDURE

1. Remove contents from box, verify if all parts listed are present and free from damage. Carefully read and understand all instructions before attempting installation.  
**Failure to identify damage before installation could lead to a rejection of any claim.**
2. Start the installation by moving forward both the driver and passenger seats as far as possible to expose OEM rear seats bolts.
3. Remove both the rear passenger handles by removing (2) plastic caps to expose the (2) bolts underneath. Remove the bolts to remove both handles. See **Figure 1 & 2** for reference.



4. Remove the OEM bolts that were exposed in **Step 2**.
5. With the OEM bolts that were removed loosely install the Passenger Mounting Bracket (**Item 15**) and Passenger Strap (**Item 16**) to the floor. See **Figure 3 & 4** for reference.
6. Repeat **Steps 4-5** for the driver side.

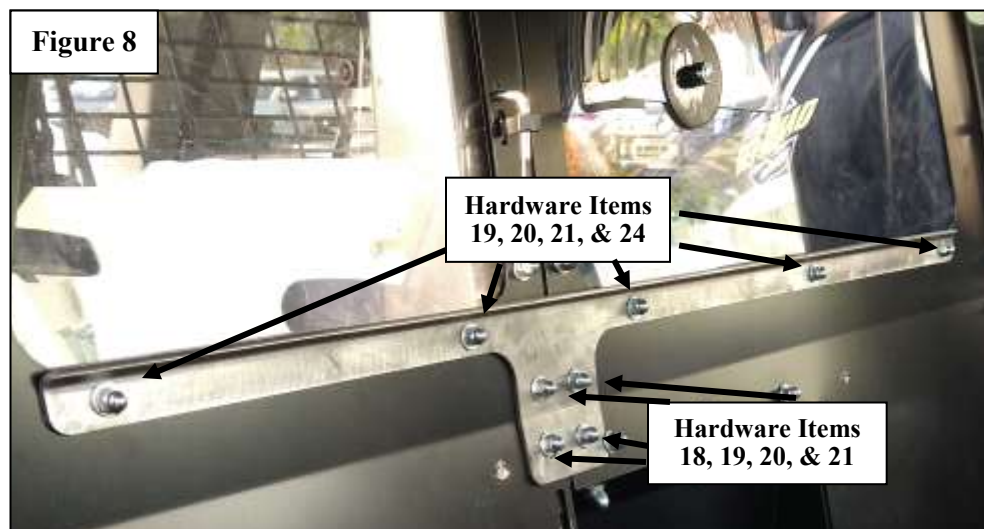
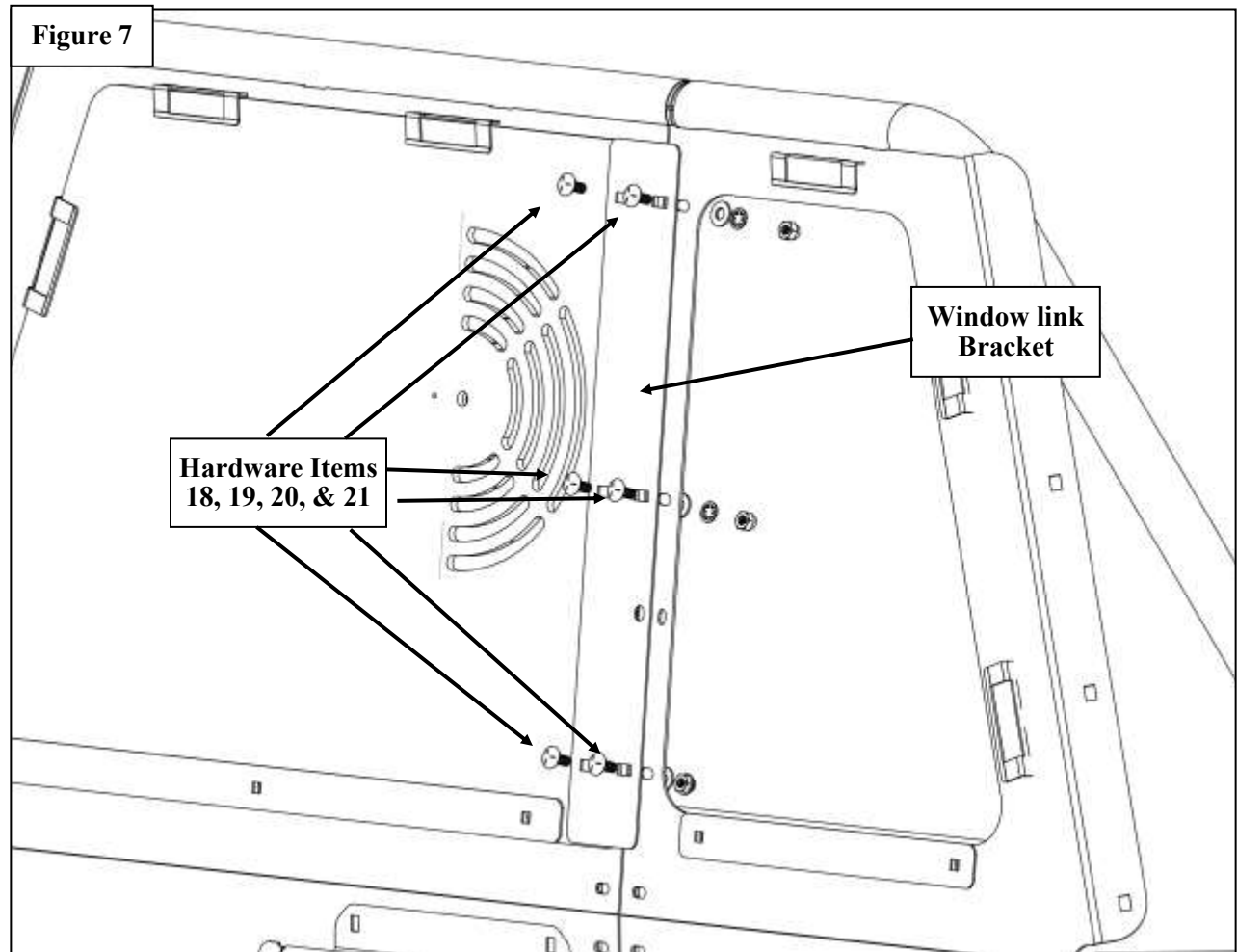


7. Locate the Upper Mount Passenger Bracket (**Item 14**) and loosely install using the provided hardware. See **Figure 5** for reference.
8. Locate the Upper Mount Driver Bracket (**Item 5**) and loosely install using the provided hardware. See **Figure 6** for reference



**NOTE:** Assemble the Front Driver Partition (**Item 1**) and the Front Passenger Partition (**Item 12**) outside of the vehicle. If Defender Single Cell Partition (**Part # 35-210085**) is already installed, loosen and remove hardware then attach the Front Passenger Partition to the Front Driver Partition.

- Using the provided hardware, locate and install the Window Link Bracket (**Item 9**) to connect both the Front Driver Partition (**Item 1**) and Front Passenger Partition (**Item 12**). See **Figure 7** for reference.
- Locate the Cross Bar Support (**Item 3**) and loosely, using the provided hardware, install it to the Front Driver Partition (**Item 1**) and the Front Passenger Partition (**Item 12**) together. See **Figure 8** for reference.



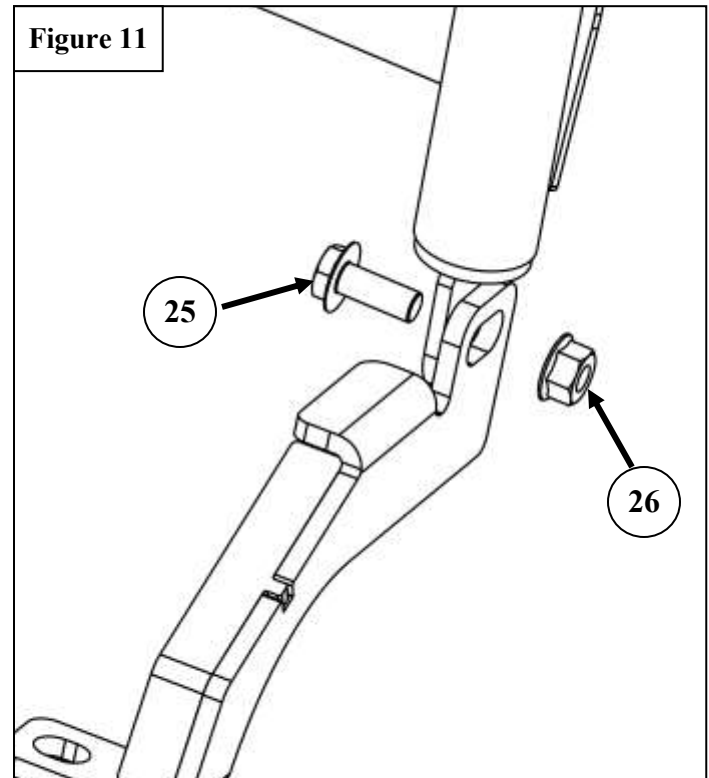
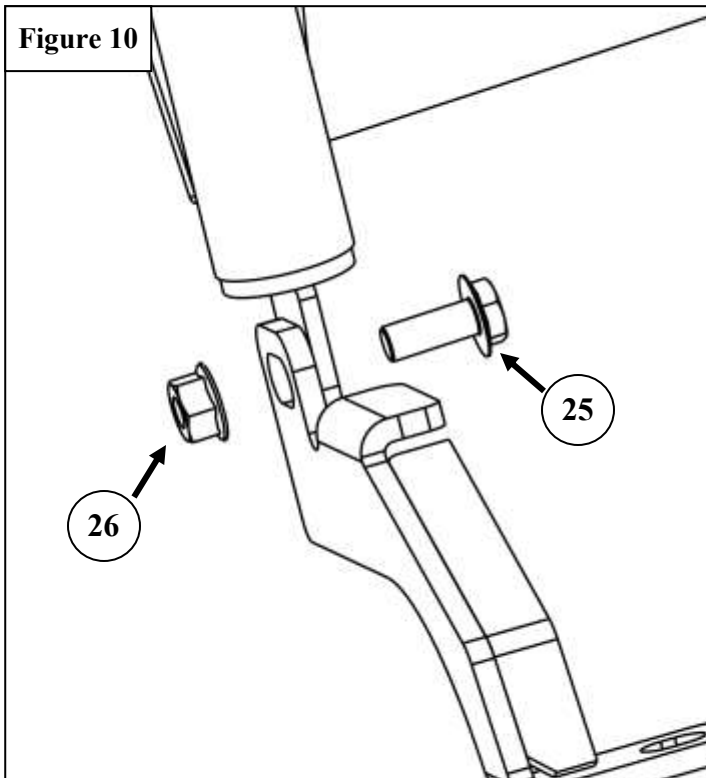
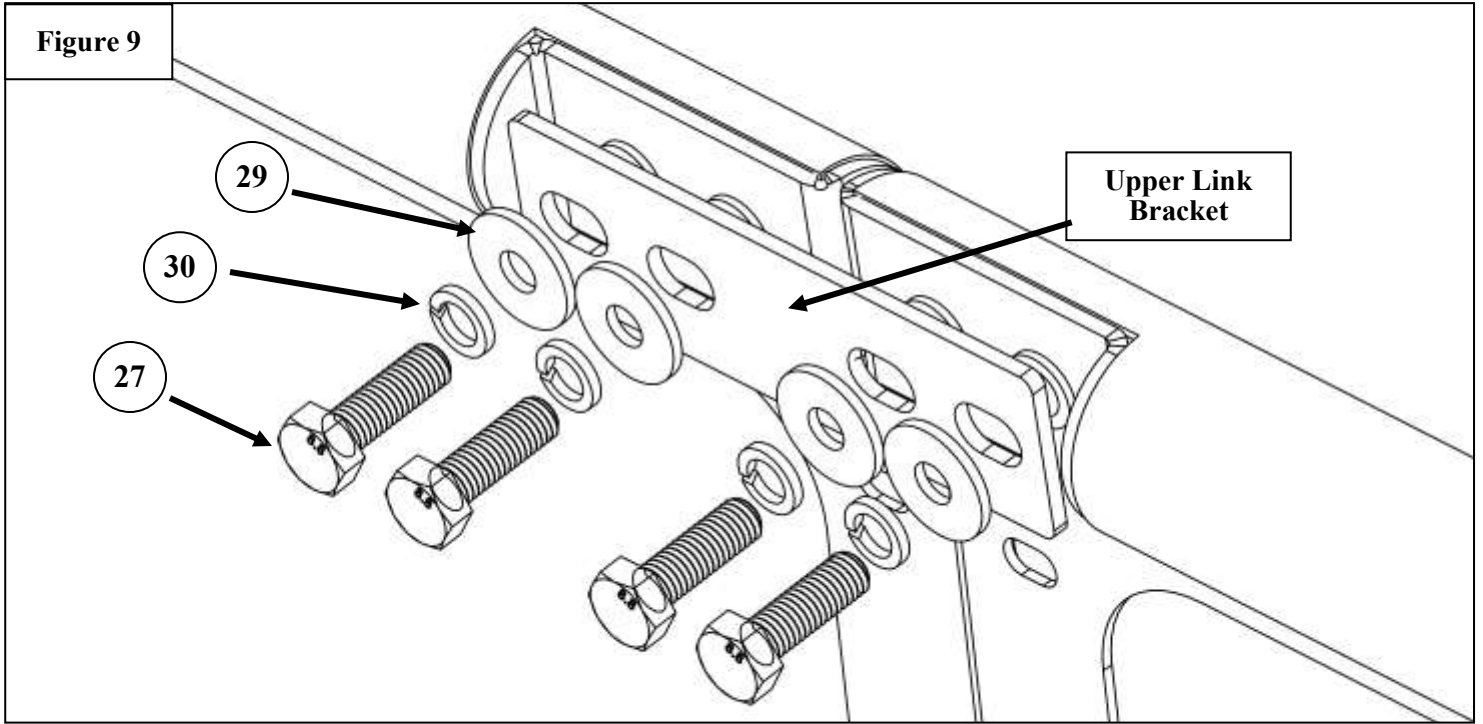
**WESTIN**

Westin Automotive Products, Inc.  
320 W. Covina Blvd  
San Dimas, Ca. 91773

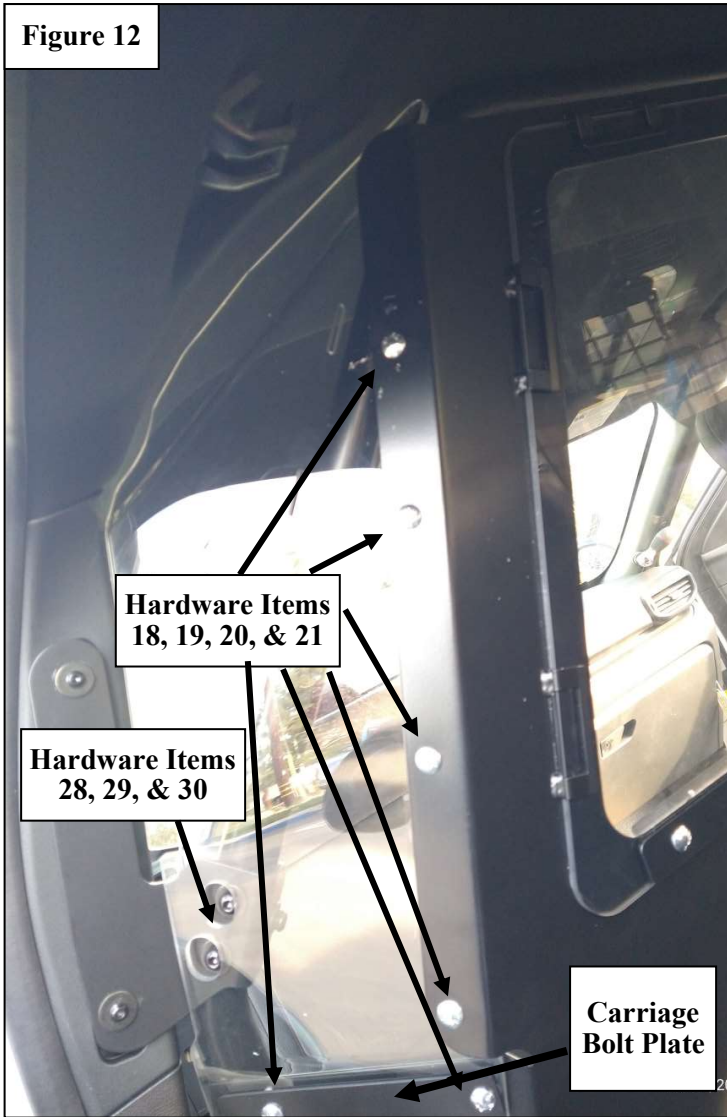
Thank you for choosing Westin products  
for additional installation assistance please call  
Customer Service (800) 793-7846

[www.westinautomotive.com](http://www.westinautomotive.com)

11. Locate the Upper Link Bracket (**Item 8**) and loosely, using the provided hardware, install it to the Front Diver Partition (**Item 1**) and the Front Passenger Partition (**Item 12**) together. See **Figure 9** for reference.
12. Once completing **Steps 9-11**, move the assembly inside the vehicle.
13. Using the hardware provided loosely attach the Front Passenger Partition (**Item 12**) to the Passenger Mounting Bracket (**Item 15**). See **Figure 10** for reference.
14. Using the hardware provided loosely attach the Front Driver Partition (**Item 1**) to the Driver Mounting Bracket (**Item 6**). See **Figure 11** for reference.

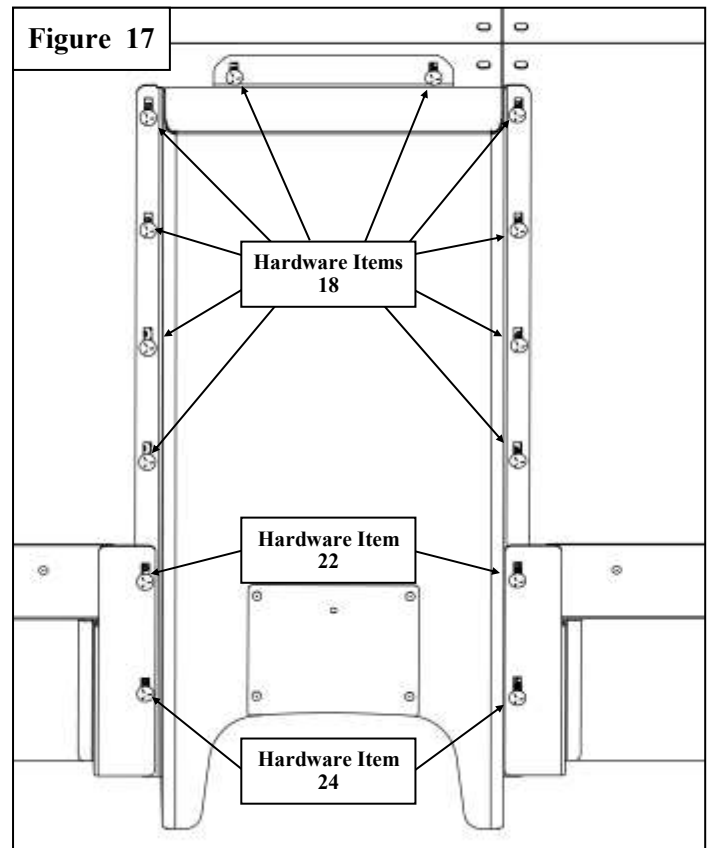
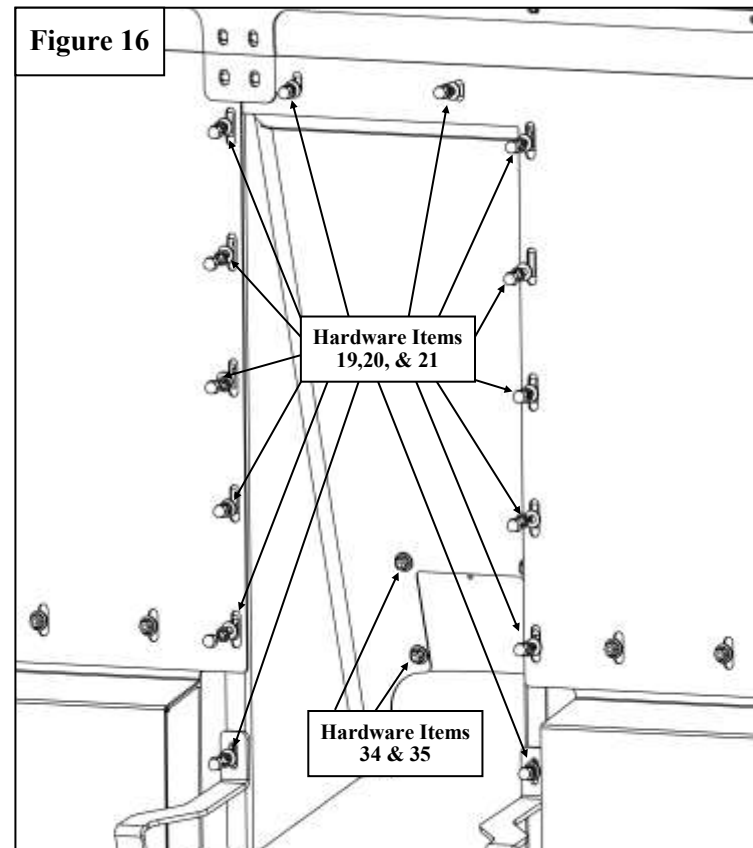
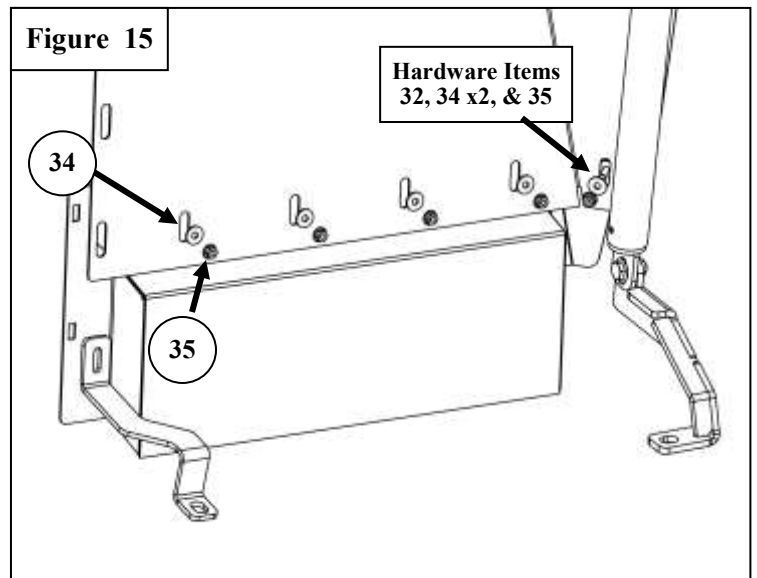
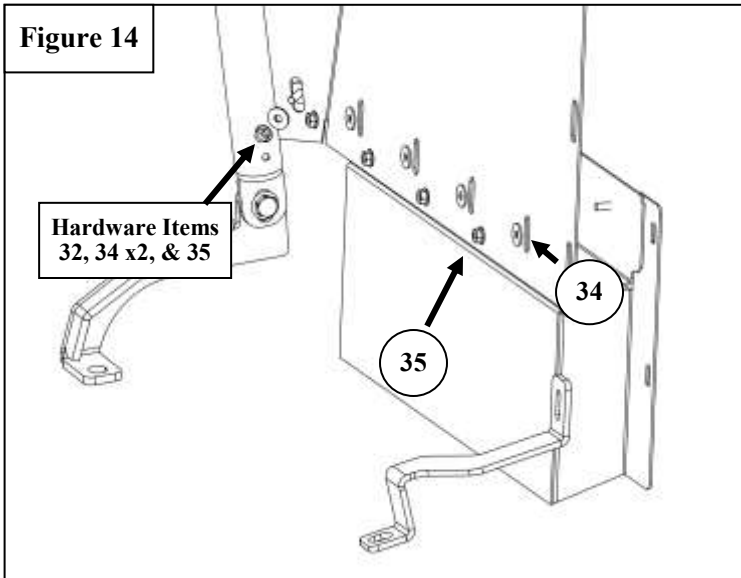


15. Using the hardware provided loosely attach the Upper Mount Driver Bracket (**Item 5**) to the Front Driver Partition (**Item 1**). See **Figure 12** for reference.
16. Using the hardware provided loosely attach the Upper Mount Passenger Bracket (**Item 14**) to the Front Passenger Partition (**Item 12**). See **Figure 13** for reference.
17. Locate the Polycarbonate Passenger Air Bag Relief (**Item 17**) and Carriage Bolt Plate (**Item 11**) loosely install it to the Front Passenger Partition (**Item 12**). See **Figure 12** for reference.
18. Locate the Polycarbonate Driver Air Bag Relief (**Item 10**) and Carriage Bolt Plate (**Item 11**) loosely install it to the Front Driver Partition (**Item 1**). See **Figure 13** for reference.





19. Using the provided hardware loosely attach the Passenger Feet Pocket (**Item 13**) to the Front Passenger Partition (**Item 12**). See **Figure 14** for reference.
20. Using the provided hardware loosely attach the Driver Feet Pocket (**Item 2**) to the Front Driver Partition (**Item 1**). See **Figure 15** for reference.
21. Locate the Recessed Panel (**Item 4**) and loosely, using the provided hardware, attach it to the Driver and Passenger Strap (**Item 7 & 16**), Front Driver Partition (**Item 1**), and Front Passenger Partition (**Item 12**). See **Figure 16 & 17** for reference.
22. Align and adjust the Defender Front partition. Tighten and torque all hardware as specified M6 to 8-11 ft.-lbs., M8 to 15-18 ft.-lbs., and M10 to 35-38 ft.-lbs.



## INSTALLATION COMPLETE



### CARE INSTRUCTIONS

- REGULAR WAXING IS RECOMMENDED. DO NOT USE ANY TYPE OF POLISH OR WAX THAT MAY CONTAIN ABRASIVES.
- STAINLESS STEEL PRODUCTS CAN BE CLEANED WITH MILD SOAP AND WATER. STAINLESS STEEL POLISH SHOULD BE USED TO POLISH SMALL SCRATCHES.
- GLOSS BLACK FINISHES SHOULD BE CLEANED WITH MILD SOAP AND WATER.

**WESTIN**

Westin Automotive Products, Inc.  
320 W. Covina Blvd  
San Dimas, Ca. 91773

Thank you for choosing Westin products  
for additional installation assistance please call  
Customer Service (800) 793-7846

[www.westinautomotive.com](http://www.westinautomotive.com)



## WARNING



Failure to follow these instructions could lead to death, personal injury, and / or property damage.

Failure to follow these instructions could lead to death, personal injury, and / or property damage.

### FASTENERS:

All Westin supplied fasteners must be utilized and installed in accordance with the installation instructions and apply torque to the specifications as defined. **DOUBLE CHECK ALL FASTENERS BEFORE INITIAL USE, AND PERIODICALLY IN THE FUTURE TO ENSURE PROPER FUNCTION AND SAFETY.**

### DRILLING:

Most Westin products do not require drilling for installation. If drilling is defined as required, use caution when drilling a vehicle. **FAILURE TO REVIEW AN AREA TO BE DRILLED MAY RESULT IN PERSONAL INJURY AND/OR INJURY TO OTHERS AS WELL AS VEHICLE DAMAGE.**

### EYE PROTECTION:

**ALWAYS WEAR SAFETY GLASSES OR GOGGLES DURING THE INSTALLATION PROCESS TO AVOID PERSONAL INJURY.**

### MAXIMUM TOWING/CARRYING CAPACITY: (if applicable)

The Westin Receiver Hitches will have a visible tow rating label affixed directly on the product. User should never exceed the vehicle manufacturers maximum tow and weight rating regardless of the capacity of the hitch. **FAILURE TO FOLLOW THESE GUIDELINES WILL VOID THE WESTIN WARRANTY AND MAY RESULT IN PERSONAL INJURY AND/OR INJURY TO OTHERS AS WELL AS VEHICLE DAMAGE.**

### FOR CALIFORNIA RESIDENTS ONLY-PROP 65 WARNING:

Some products may contain chemicals such as DEHP, which can cause cancer, birth defects or other reproductive harm. For more info go to [www.p65warnings.ca.gov](http://www.p65warnings.ca.gov)



Westin Automotive Products, Inc.  
320 W. Covina Blvd  
San Dimas, Ca. 91773