

# INSTALLATION INSTRUCTIONS



## DEFENDER FRONT PARTITION

APPLICATION:  
2021-2022 Dodge Durango  
PART NUMBER:  
35-10075, 35-10075-D

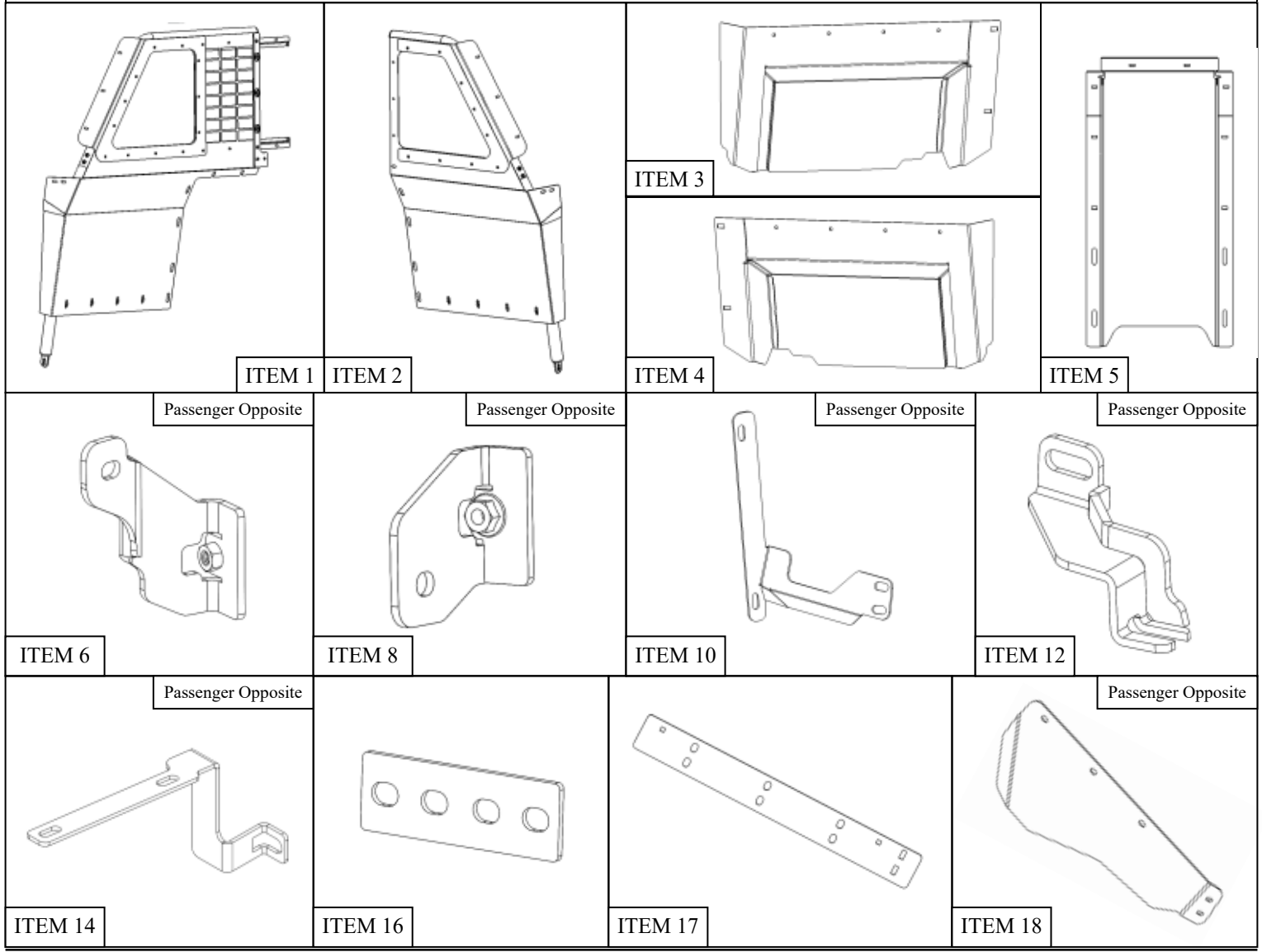
CONTENT			
ITEM	QUANTITY	DESCRIPTION	TOOLS NEEDED
1	1	DRIVER FRONT PARTITION ASSEMBLY	10MM SOCKET
2	1	PASSENGER FRONT PARTITION ASSEMBLY	10MM WRENCH
3	1	DRIVER FOOT POCKET	13MM SOCKET
4	1	PASSENGER FOOT POCKET	13MM WRENCH
5	1	CENTER RECESSED PANEL	16MM SOCKET
6	1	INTERNAL DRIVER UPPER BRACKET	16MM WRENCH
7	1	INTERNAL PASSENGER UPPER BRACKET	7/16" SOCKET
8	1	INTERNAL DRIVER LOWER BRACKET	RATCHET
9	1	INTERNAL PASSENGER LOWER BRACKET	TORQUE WRENCH
10	1	UPPER DRIVER BRACKET	4MM ALLEN WRENCH
11	1	UPPER PASSENGER BRACKET	5MM ALLEN WRENCH
12	1	BOTTOM DRIVER BRACKET	
13	1	BOTTOM PASSENGER BRACKET	
14	1	DRIVER STRAP	
15	1	PASSENGER STRAP	
16	1	UPPER LINK BRACKET	
17	1	WINDOW LINK BRACKET	
18	1	DRIVER POLYCARBONATE WINDOW	
19	1	PASSENGER POLYCARBONATE WINDOW	
20	1	DRIVER WINDOW PLATE	
21	1	PASSENGER WINDOW PLATE	
22	1	TOP CHANNEL	
23	1	BOTTOM CHANNEL	
24	1	SLIDING WINDOW	
25	4	M8 BUTTON HEAD BOLT	
26	8	M8 FLAT WASHER	
27	8	M8 SPLIT LOCK WASHER	
28	4	M8 HEX HEAD BOLT	
29	6	SHORT M6 BUTTON HEAD BOLT	
30	4	LONG M6 BUTTON HEAD BOLT	
31	18	M6 FLAT WASHER	

**ANTI-SEIZE LUBRICANT MUST BE USED ON ALL STAINLESS STEEL FASTENERS TO PREVENT THREAD DAMAGE AND GALLING**

## CONTENT

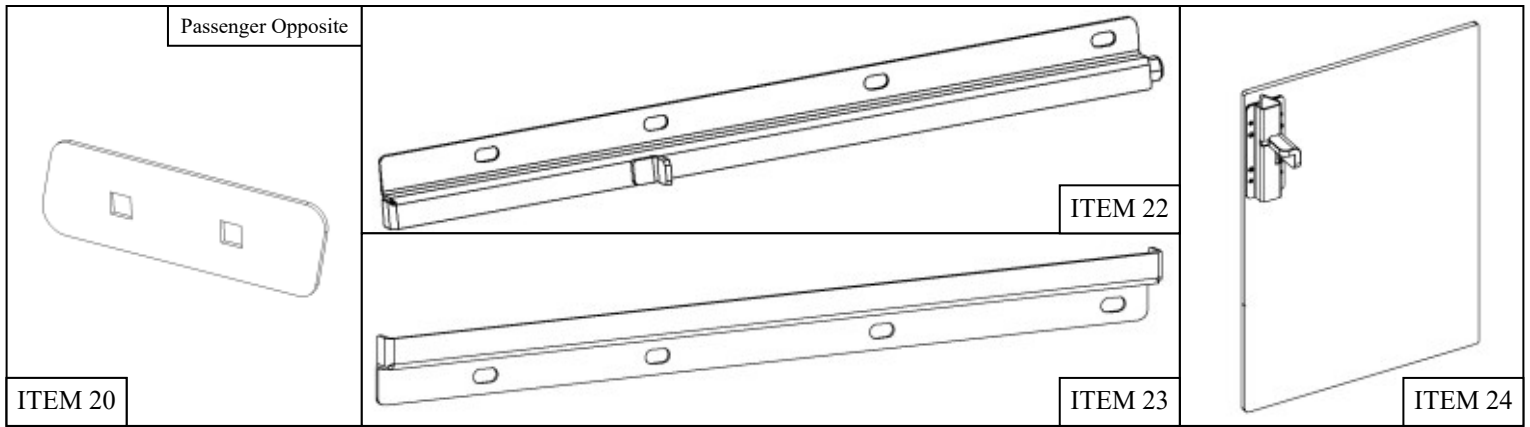
ITEM	QUANTITY	DESCRIPTION	TOOLS NEEDED
32	8	M6 SERRATED FLANGE NUT	
33	10	M6 LOCK WASHER	
34	2	M10 SERRATED FLANGE BOLT	
35	2	M10 SERRATED FLANGE NUT	
36	16	3/4"—LONG 1/4" CARRIAGE BOLT	
37	34	1/4" THICK FLAT WASHER	
38	30	1/4" TOOTH LOCK WASHER	
39	30	1/4" A-CORN	
40	6	5/8"—MEDIUM 1/4" CARRIAGE BOLT	
41	10	1/2"—SHORT 1/4" CARRIAGE BOLT	
42	4	LARGE 1/4" SERRATED FLANGE NUT	
43	2	1"—EXTRA LONG 1/4" CARRIAGE BOLT	

**ANTI-SEIZE LUBRICANT MUST BE USED ON ALL STAINLESS STEEL FASTENERS TO PREVENT THREAD DAMAGE AND GALLING**



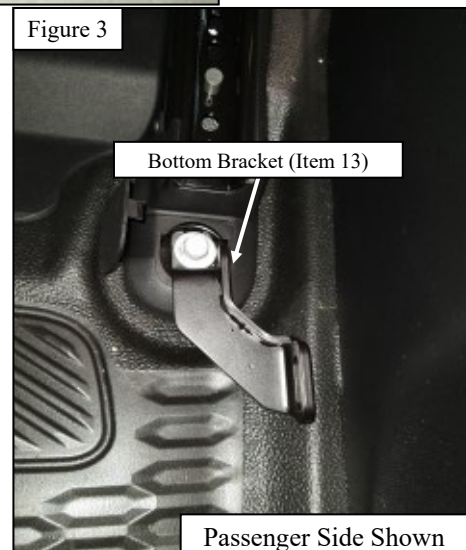
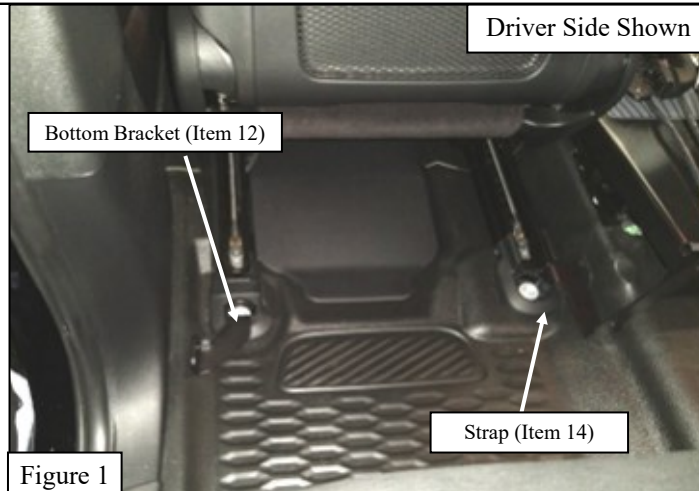
**WESTIN** Westin Automotive Products, Inc.  
320 W. Covina Blvd  
San Dimas, Ca. 91773

Thank you for choosing Westin products  
for additional installation assistance please call  
Customer Service (800) 793-7846  
www.westinautomotive.com

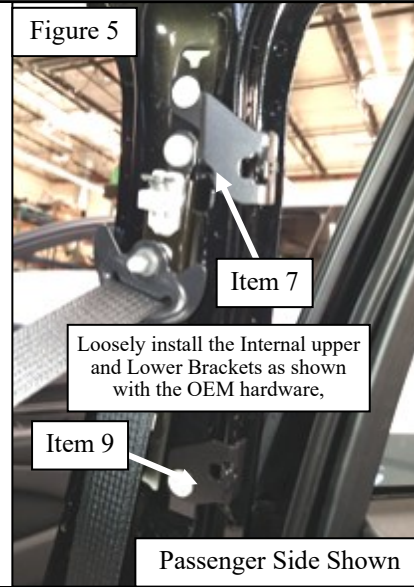
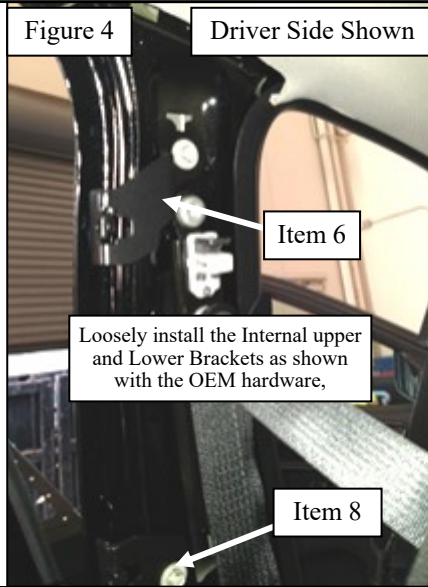


### PROCEDURE

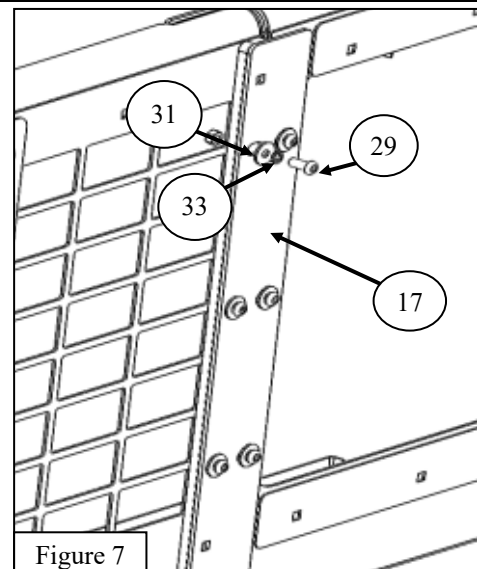
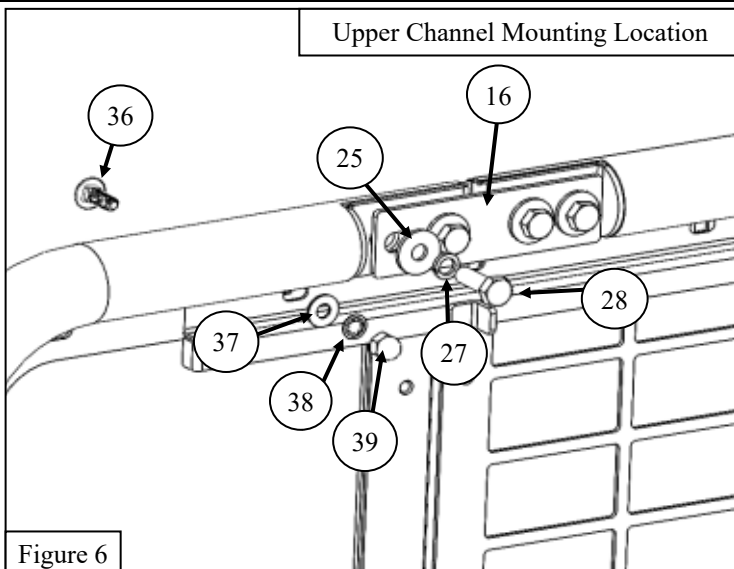
1. Remove contents from box, verify if all parts listed are present and free from damage. Carefully read and understand all instructions before attempting installation.  
**Failure to identify damage before installation could lead to a rejection of any claim.**
2. Remove the plastic covers from the two bolt locations accessible at the rear of the front seat.
3. Remove **all four** of the bolts at the rear mounting locations of the front seats.
4. Loosely attach the Bottom Brackets and Straps (**Items 12-15**) to the rear mounting locations using the OEM Hardware removed in **Step 3**. See **Figures 1 through 3** for reference.



5. Starting on either side of the vehicle, pull back the rubber pillar trim near the door frame and pry back the center pillar trim molding to remove the two M6 bolts in order to remove the existing assist grip handles. **Note:** The assist grip handles will not be reused and may be discarded.
6. Using the OEM bolt holes and OEM hardware, loosely install the Internal Upper and Lower Brackets (**Items 6-9**) as shown in **Figures 4 & 5**.
7. Reinstall the center pillar trim and the rubber pillar trim once the Internal Brackets are installed. **Note:** Make sure that the Internal Brackets remain exposed on the mounting side facing the back of the vehicle to proceed with the installation.



8. With help, loosely assemble the Driver and Passenger Partition Assemblies together using the supplied M6 hardware, M8 hardware, Upper Link Bracket (**Item 16**), and Window Link Bracket (**Item 17**). See **Figures 6 & 7** for reference.
9. Locate and loosely install the 1/4" hardware (**Items 36-39, 41,43**) on the Bottom Window Channel (**Item 23**) mounting locations merging the two Partition Assemblies together. Insert the Sliding Window (**Item 24**) to the Bottom Window Channel. See **Figure 6 & 8** for reference.
10. Locate the Top Window Channel (**Item 22**) and insert it to the Sliding Window to then install it to its mounting locations. See **Figure 6 & 8** for reference.
11. With the Front Partition mounted together, move the assembly into place.
12. Loosely attach it to each Bottom Bracket using the supplied M10 hardware See **Figures 9 & 10** for reference.



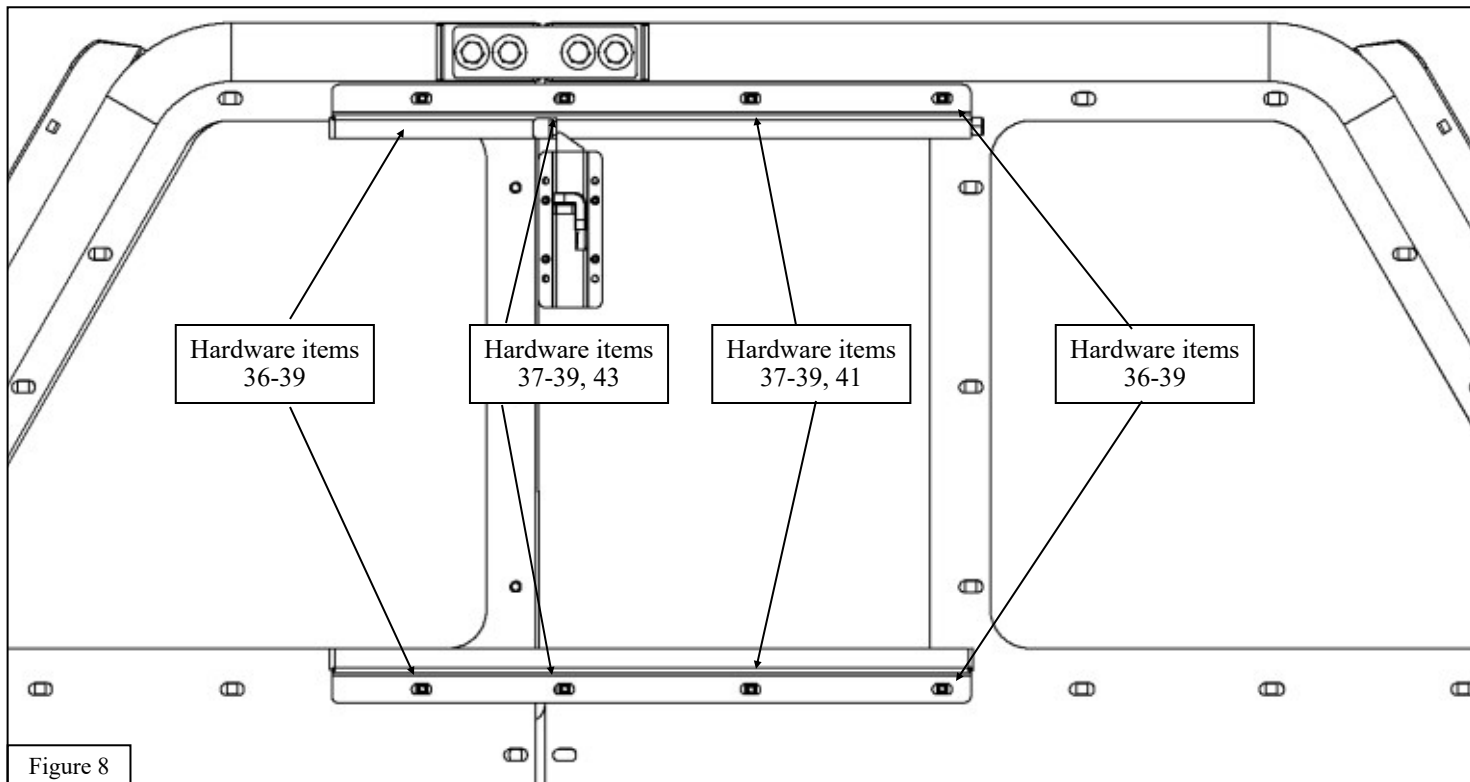


Figure 8

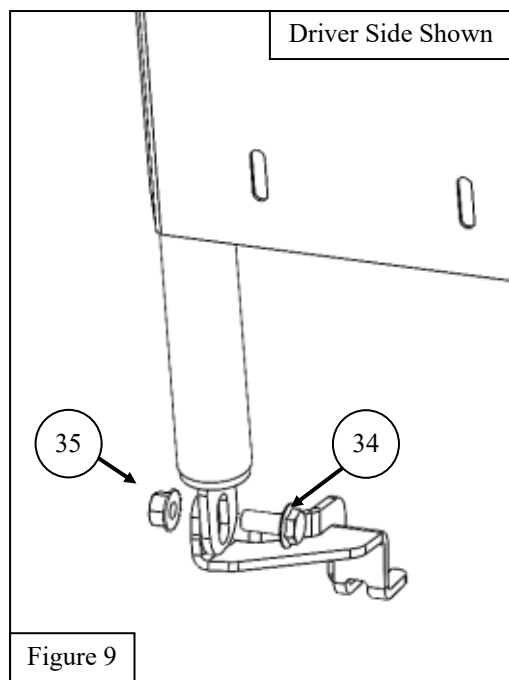


Figure 9

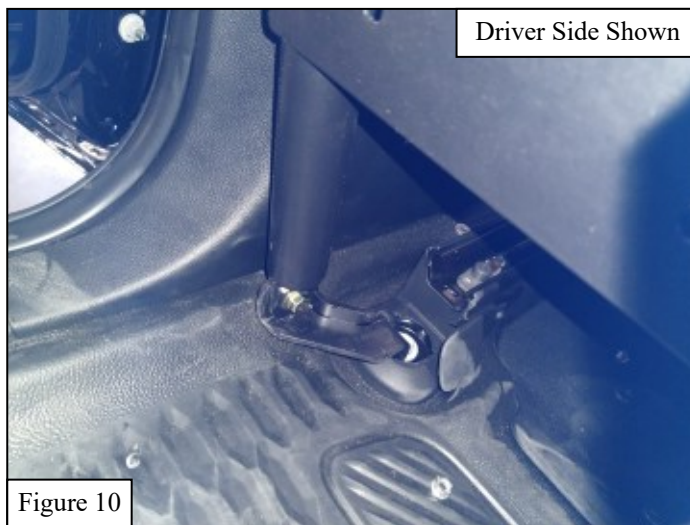
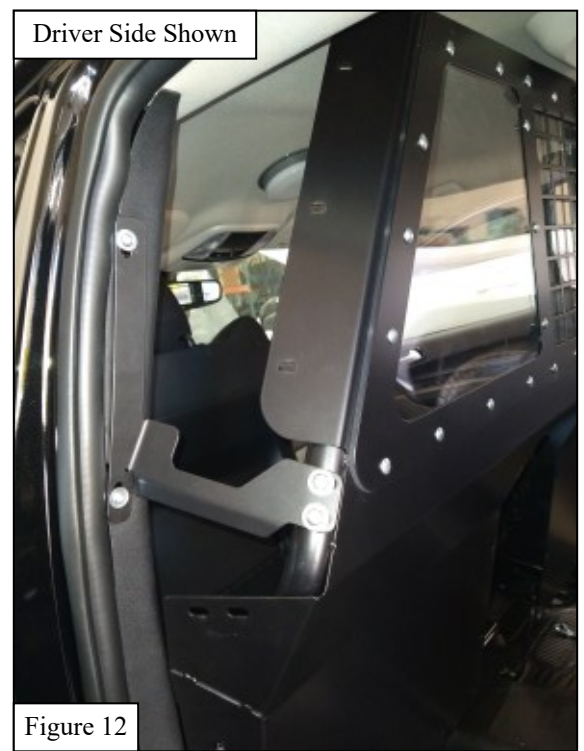
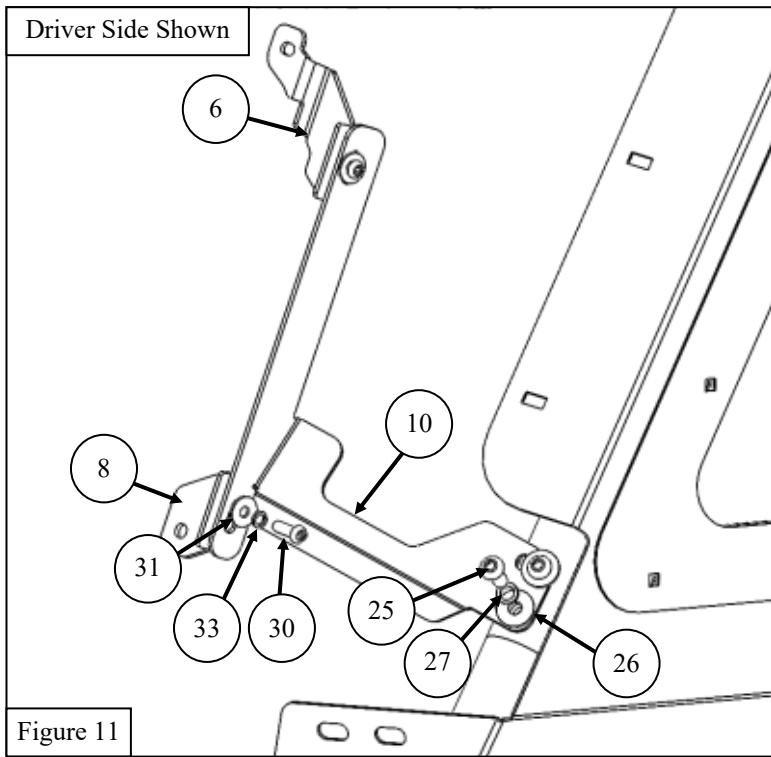
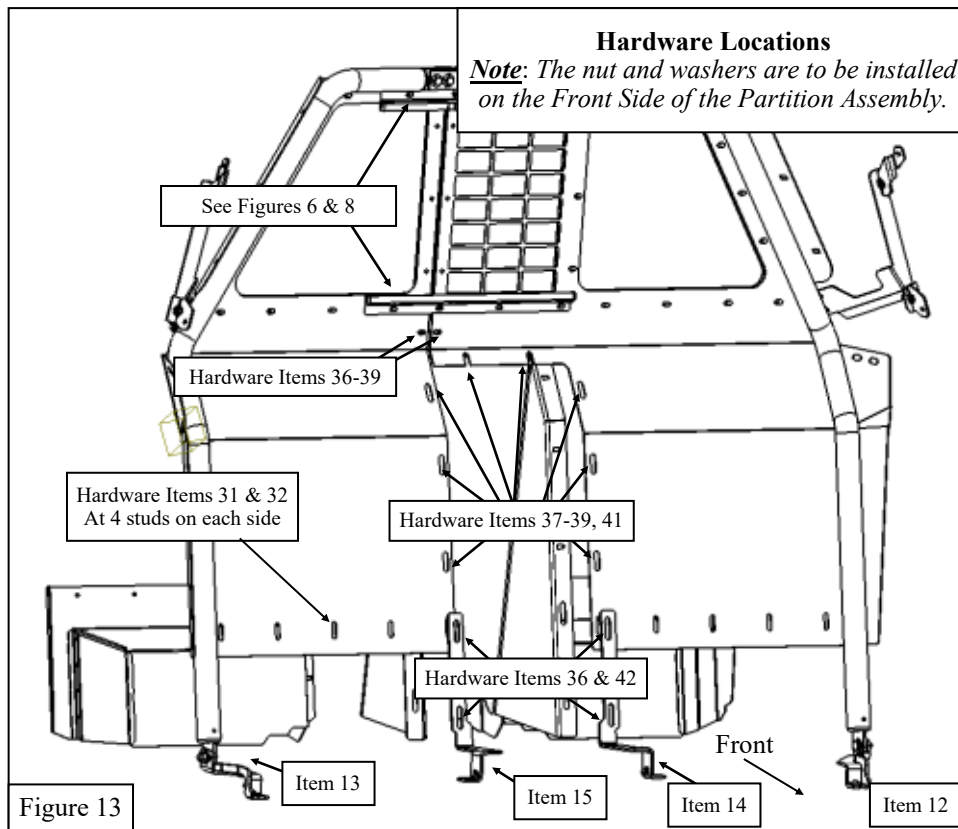


Figure 10

13. Using the supplied Upper Bracket (Items 10-11), loosely attach the Partition Assembly to the Internal Brackets using the supplied M6 and M8 Hardware. See **Figures 11 & 12** for reference.



14. Assemble the Partition Assembly (**Items 1 & 2**), Foot Pockets (**Items 3 & 4**) Using the supplied M6 nuts and washers, Center Recessed Panel (**Item 5**) using the supplied 1/4" hardware. See **Figures 13 & 14** for reference.



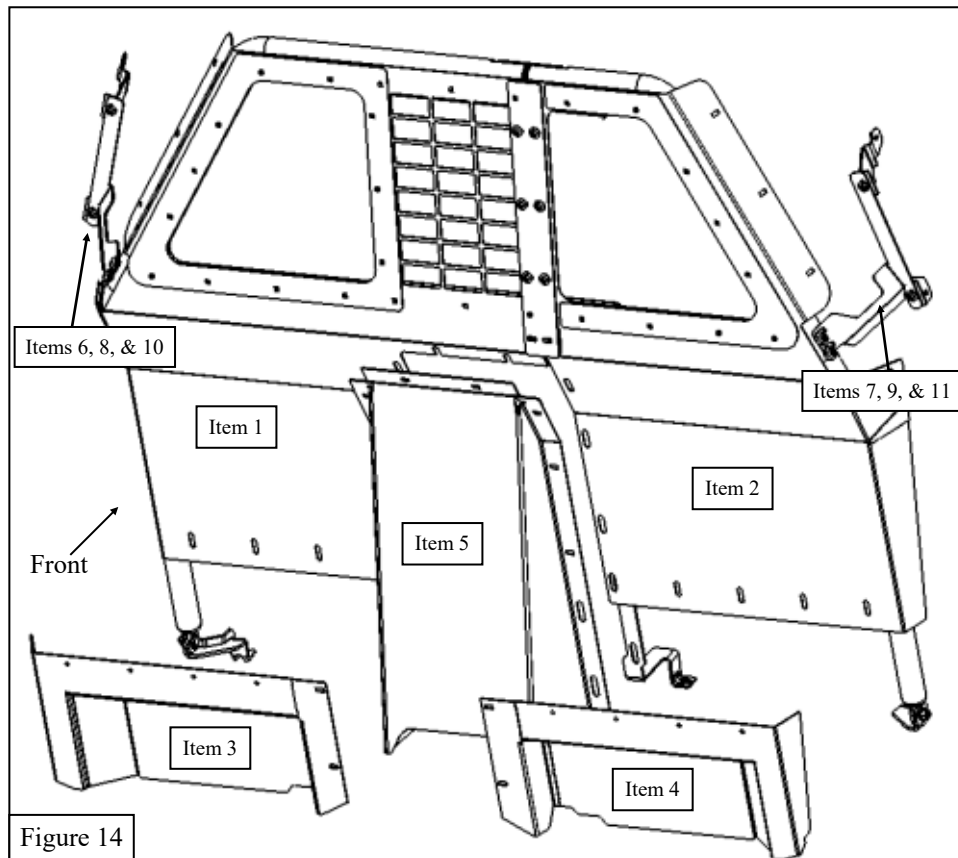


Figure 14

15. Loosen the Upper Bracket hardware if needed in order to install the driver and passenger Polycarbonate Windows (**Items 18-19**) with the supplied 1/4" hardware and Window Plates (**Items 20-21**). **Note:** Make sure the Polycarbonate Windows are aligned properly with the roof of the vehicle. See **Figure 15** for reference.
16. Align and adjust the Front Partition Assembly, mounting brackets, and Polycarbonate Windows as necessary. Tighten and torque all hardware as specified: 1/4 and M6 to 8-11 ft.-lbs., M8 to 15-18 ft.-lbs., and M10 to 35-38 ft.-lbs.

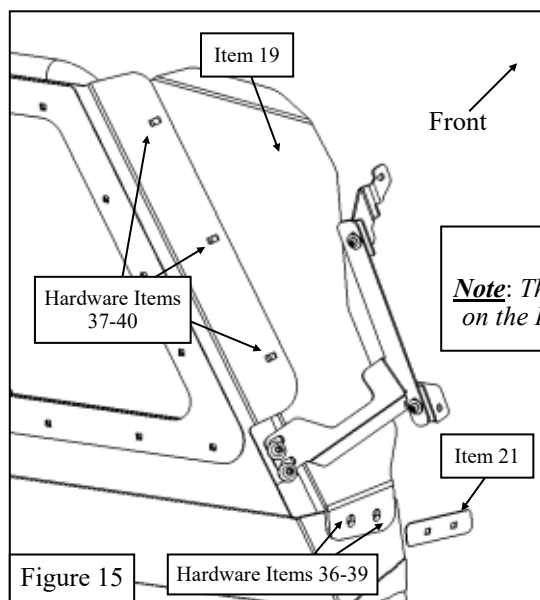


Figure 15

**Hardware Installation**

**Note:** The nut and washers are to be installed on the Front Side of the Partition Assembly.

## INSTALLATION COMPLETE



### CARE INSTRUCTIONS

- REGULAR WAXING IS RECOMMENDED. DO NOT USE ANY TYPE OF POLISH OR WAX THAT MAY CONTAIN ABRASIVES.
- STAINLESS STEEL PRODUCTS CAN BE CLEANED WITH MILD SOAP AND WATER. STAINLESS STEEL POLISH SHOULD BE USED TO POLISH SMALL SCRATCHES.
- GLOSS BLACK FINISHES SHOULD BE CLEANED WITH MILD SOAP AND WATER

**WESTIN**

Westin Automotive Products, Inc.  
320 W. Covina Blvd  
San Dimas, Ca. 91773

Thank you for choosing Westin products  
for additional installation assistance please call  
Customer Service (800) 793-7846

[www.westinautomotive.com](http://www.westinautomotive.com)

DATE: 09/13/2022





## WARNING



Failure to follow these instructions could lead to death, personal injury, and / or property damage.

Failure to follow these instructions could lead to death, personal injury, and / or property damage.

### FASTENERS:

All Westin supplied fasteners must be utilized and installed in accordance with the installation instructions and apply torque to the specifications as defined. **DOUBLE CHECK ALL FASTENERS BEFORE INITIAL USE, AND PERIODICALLY IN THE FUTURE TO ENSURE PROPER FUNCTION AND SAFETY.**

### DRILLING:

Most Westin products do not require drilling for installation. If drilling is defined as required, use caution when drilling a vehicle. **FAILURE TO REVIEW AN AREA TO BE DRILLED MAY RESULT IN PERSONAL INJURY AND/OR INJURY TO OTHERS AS WELL AS VEHICLE DAMAGE.**

### EYE PROTECTION:

**ALWAYS WEAR SAFETY GLASSES OR GOGGLES DURING THE INSTALLATION PROCESS TO AVOID PERSONAL INJURY.**

### MAXIMUM TOWING/CARRYING CAPACITY: (if applicable)

The Westin Receiver Hitches will have a visible tow rating label affixed directly on the product. User should never exceed the vehicle manufacturers maximum tow and weight rating regardless of the capacity of the hitch. **FAILURE TO FOLLOW THESE GUIDELINES WILL VOID THE WESTIN WARRANTY AND MAY RESULT IN PERSONAL INJURY AND/OR INJURY TO OTHERS AS WELL AS VEHICLE DAMAGE.**

### FOR CALIFORNIA RESIDENTS ONLY-PROP 65 WARNING:

Some products may contain chemicals such as DEHP, which can cause cancer, birth defects or other reproductive harm. For more info go to [www.p65warnings.ca.gov](http://www.p65warnings.ca.gov)



Westin Automotive Products, Inc.  
320 W. Covina Blvd  
San Dimas, Ca. 91773

Thank you for choosing Westin products  
for additional installation assistance please call  
Customer Service (800) 793-7846  
[www.westinautomotive.com](http://www.westinautomotive.com)