

# INSTALLATION INSTRUCTIONS

## STEP BOARD MOUNTING KIT



### APPLICATION:

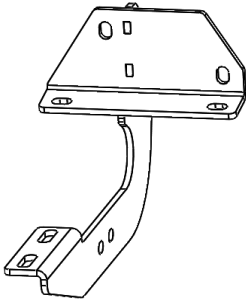
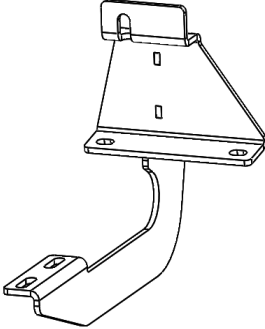
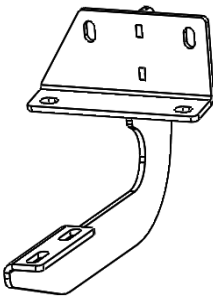

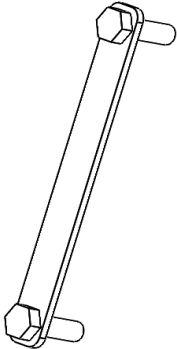
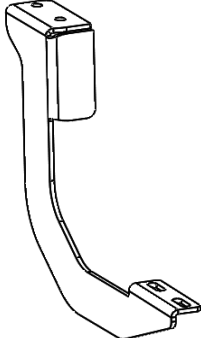
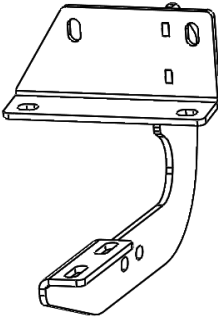
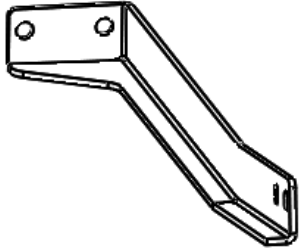
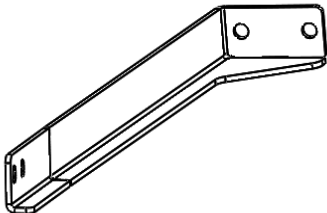
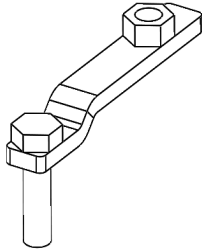
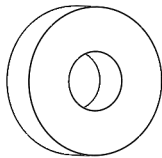
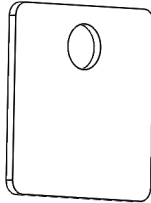
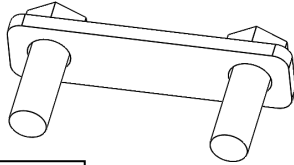
Ford Transit Van 150/250/350 2015-2021 (For 36" Drivers Side and 97" Passenger Side)

### PART NUMBER:

27-2295

CONTENT			
ITEM	QUANTITY	DESCRIPTION	TOOLS NEEDED
1	1	FRONT DRIVER BRACKET	13MM SOCKET
2	1	REAR DRIVER BRACKET	13MM WRENCH
3	2	CENTER PASSENGER BRACKET	17MM SOCKET
4	2	SPACER PLATE	17MM WRENCH
5	1	M8 BOLT PLATE	19MM SOCKET
6	1	REAR PASSENGER BRACKET	19MM WRENCH
7	1	FRONT PASSENGER BRACKET	RATCHET
8	1	DRIVER SUPPORT STRAP	TORQUE WRENCH
9	1	PASSENGER SUPPORT STRAP	
10	1	M8 BOLT & NUT PLATE	
11	1	SPACER	
12	1	REAR PASSENGER SPACER	
13	2	M12 BOLT PLATE	
14	10	M8 SELF TAPPING SCREW	
15	20	SHORT M8 HEX HEAD SCREW	
16	1	LONG M8 HEX HEAD SCREW	
17	24	M8 SPLIT LOCK WASHER	
18	28	M8 FLAT WASHER	
19	23	M8 HEX NUT	
20	1	M10 HEX HEAD SCREW	
21	1	M10 SPLIT LOCK WASHER	
22	1	LARGE M10 FLAT WASHER	
23	1	SMALL M10 FLAT WASHER	
24	1	M10 HEX NUT	
25	4	M12 FLAT WASHER	
26	4	M12 SPLIT LOCK WASHER	
27	4	M12 HEX NUT	
28	16	M8 RIVET NUT	
29	1	M8 RIVET NUT INSTALLATION TOOL	

**ANTI-SEIZE LUBRICANT MUST BE USED ON ALL STAINLESS STEEL FASTENERS TO PREVENT THREAD DAMAGE AND GALLING**

<p>Front Driver Bracket</p> 	<p>Rear Driver Bracket</p> 	<p>Center Passenger Bracket</p> 	<p>Spacer Plate</p> 
<p>ITEM 1</p>	<p>ITEM 2</p>	<p>ITEM 3</p>	<p>ITEM 4</p>
<p>M8 Bolt Plate</p> 	<p>Rear Passenger Bracket</p> 	<p>Front Passenger Bracket</p> 	<p>Driver Support Strap</p> 
<p>ITEM 5</p>	<p>ITEM 6</p>	<p>ITEM 7</p>	<p>ITEM 8</p>
<p>Passenger Support Strap</p> 	<p>M8 Bolt &amp; Nut Plate</p> 	<p>Spacer</p> 	<p>Rear Spacer Plate</p> 
<p>ITEM 9</p>	<p>ITEM 10</p>	<p>ITEM 11</p>	<p>ITEM 12</p>
<p>M12 Bolt Plate</p> 			
<p>ITEM 13</p>			

### PROCEDURE

1. Remove contents from box, verify if all parts listed are present and free from damage. Carefully read and understand all instructions before attempting installation.  
**Failure to identify damage before installation could lead to a rejection of any claim.**

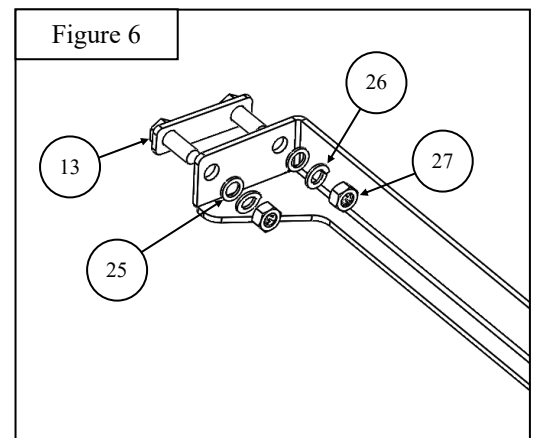
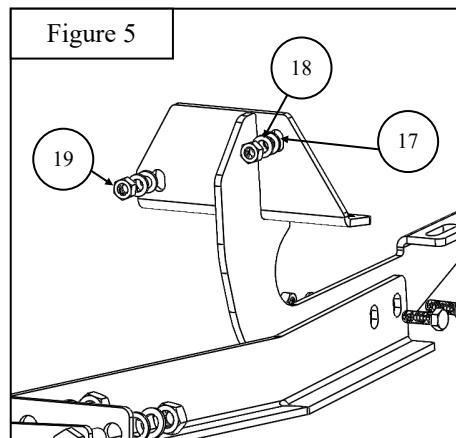
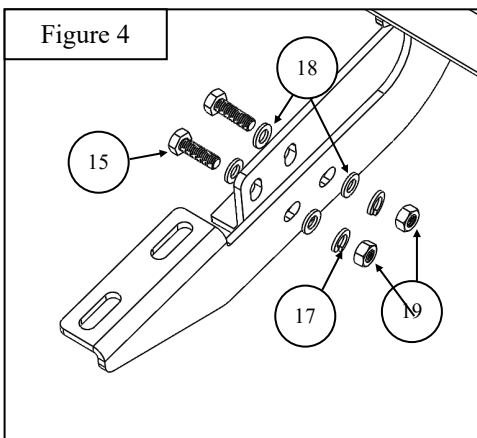
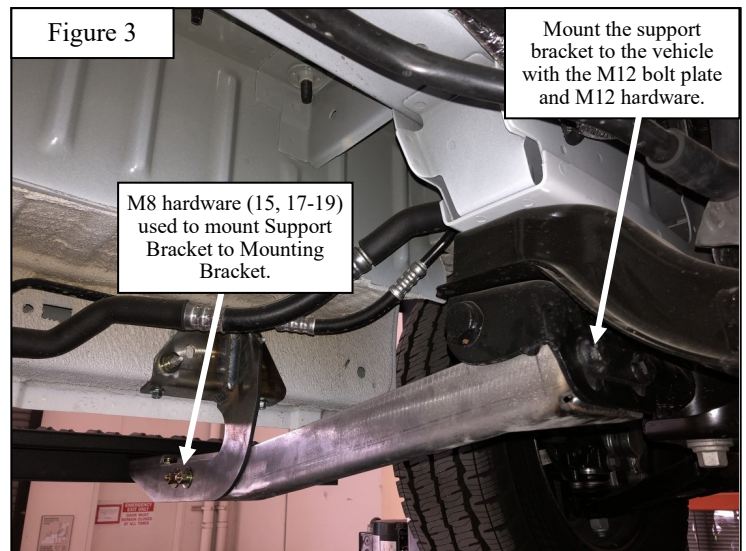
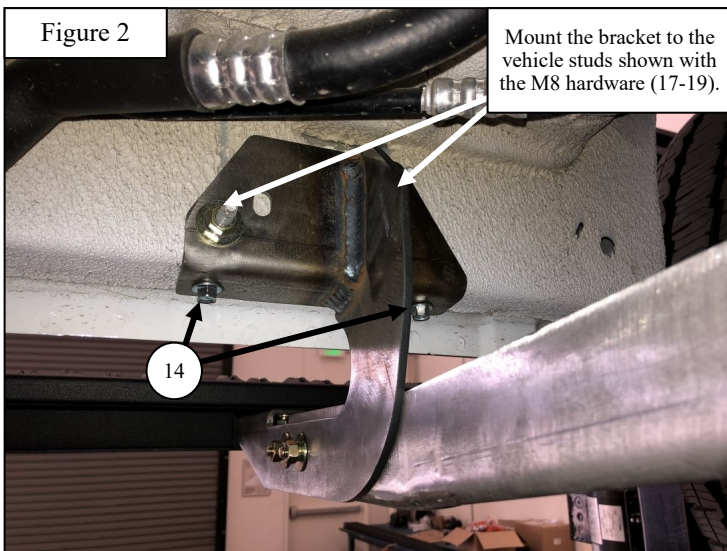
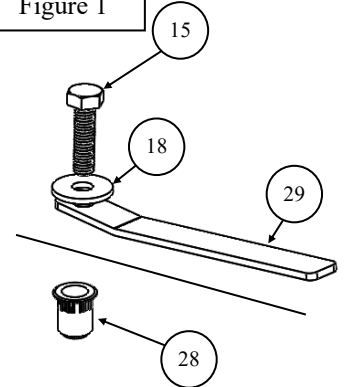
- Starting with the drivers side, locate and install the Front Driver Bracket (1) and the Driver Support Strap (8) using the provided M8 Self Tapping Screws (14), M8 hardware (15, 17-19), M12 Bolt Plate (13), and the M12 hardware (25-27). See **Figure 2, 3, 4, 5, and 6** for reference.

*Note: On the early models of the vehicle, factory holes used with the Self Tapping Screws may be missing. If necessary, use the provided M8 Rivet Nuts (28) and Rivet Nut Installation Tool (29). Early models may also be missing factory studs. M8 Rivet Nuts can be used in place of the factory studs. See Rivet Nut Installation if needed.*

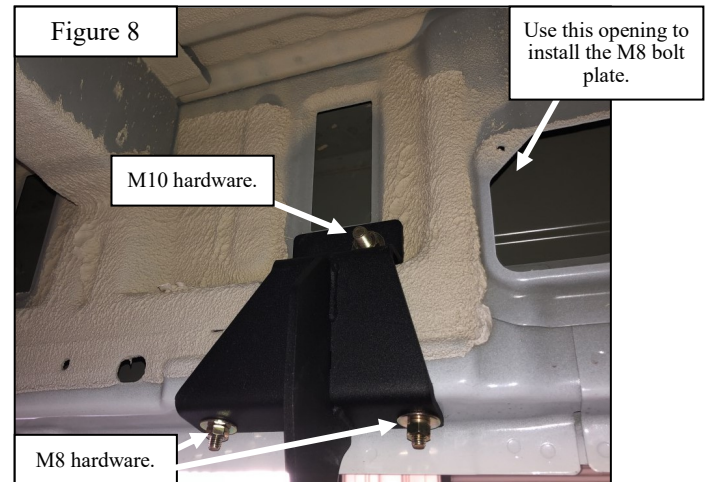
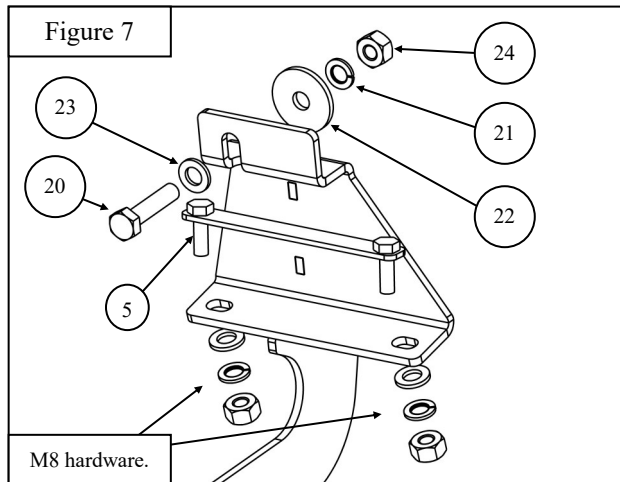
**RIVET NUT INSTALLATION** (if factory studs or holes for self tapping screws are missing)

- Step 1:** Place the bracket in the mounting location and align any existing factory holes with the holes in the bracket.
- Step 2:** Using the bracket as a template, mark the locations of new holes on the rocker panel.
- Step 3:** For each rivet nut, drill a 9/16" hole. For some brackets, existing factory holes will need to be enlarged to 9/16".
- Step 4:** Insert M8 Rivet Nut (28) into drilled hole.
- Step 5:** Apply pressure onto the Rivet Nut using the provided Installation Tool (29).
- Step 6:** Using an M8 flat washer, screw a M8 hex head screw through the installation tool and rivet nut, and tighten the screw while applying pressure with the hand tool to install the Rivet Nut. See **Figure 1** for reference.
- Step 7:** Repeat for every drilled hole as needed.

Figure 1

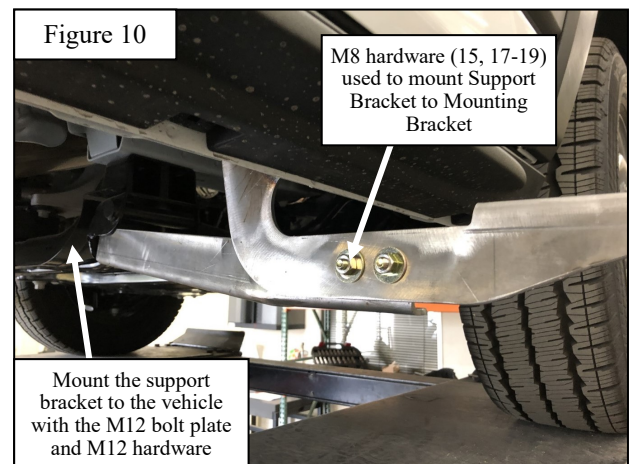
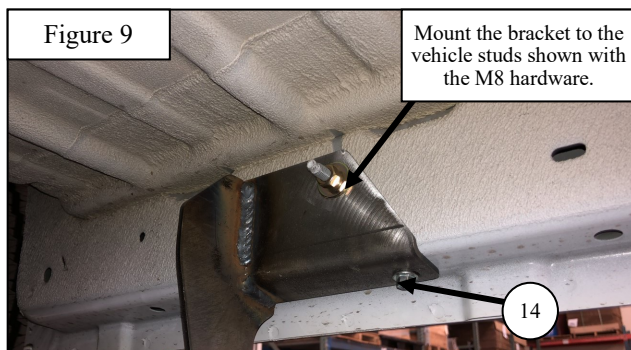


3. Locate and install the Rear Driver Bracket (2) using the provided M8 Bolt Plate (5), M8 hardware (17-19), M10 Bolt Plate (13), and the M10 hardware (20-24). See **Figure 7 and 8** for reference.



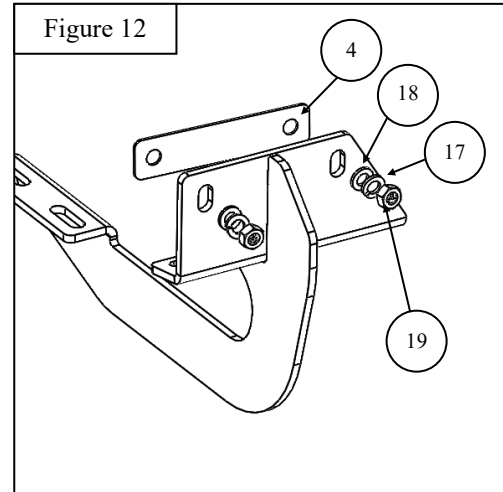
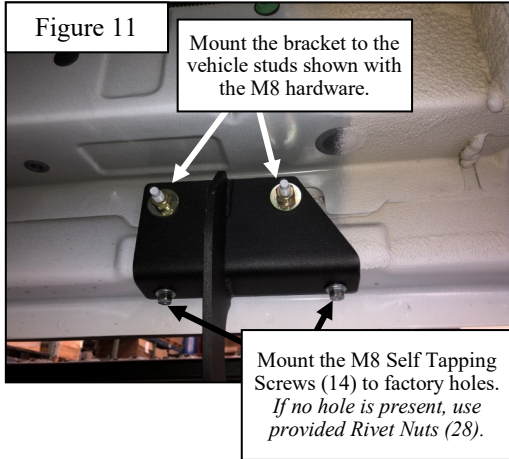
4. Moving on to the passengers side, locate and install the Front Passenger Bracket (7) and the Passenger Support Strap (9) using the provided M8 Self Tapping Screws (14), M8 hardware (15, 17-19), M12 Bolt Plate (13), and the M12 hardware (25-27). See **Figure 9 & 10** for reference. Use **Figures 4, 5, and 6** for reference on hardware installation.

*Note: On the early models of the vehicle, factory holes used with the Self Tapping Screws may be missing. If necessary, use the provided M8 Rivet Nuts (28) and Rivet Nut Installation Tool (29). Early models may also be missing factory studs. M8 Rivet Nuts can be used in place of the factory studs. See Rivet Nut Installation if needed.*



5. Locate and install the two Center Passenger Brackets (3) using the provided Spacer Plate (4), M8 hardware (17-19), and Self Tapping Screws (14) onto the OEM mounting studs. See **Figure 11 & 12** for reference.

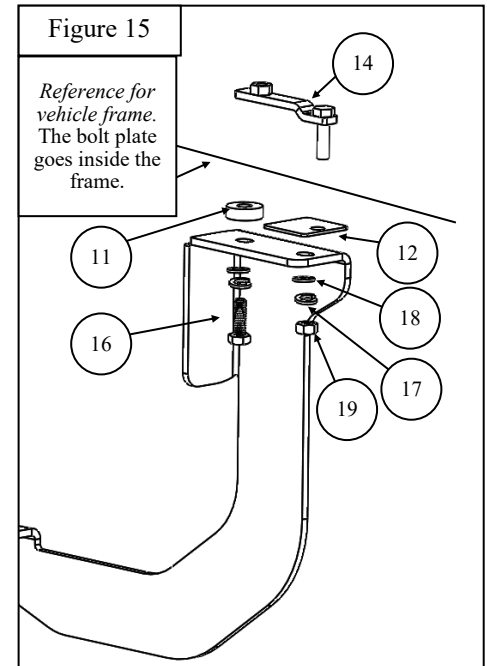
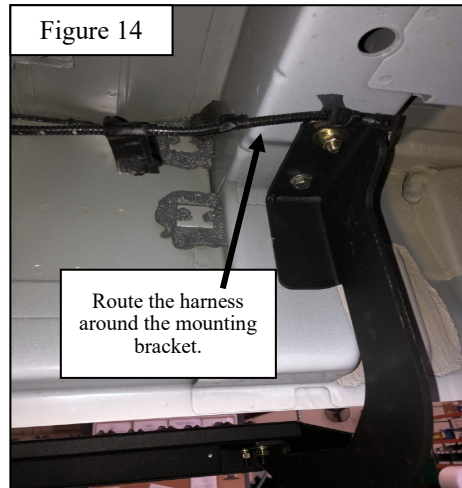
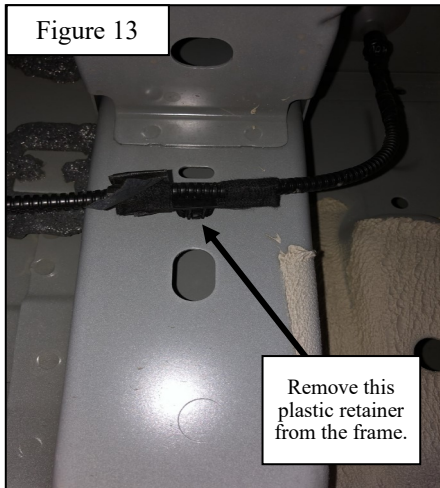
**Note:** On the early models of the vehicle, factory holes used with the Self Tapping Screws may be missing. If necessary, use the provided M8 Rivet Nuts (28) and Rivet Nut Installation Tool (29). Early models may also be missing factory studs. M8 Rivet Nuts can be used in place of the factory studs. See Rivet Nut Installation if needed.



6. Locate and install the Rear Passenger Brackets (6) using the provided Spacer (11), Rear Passenger Spacer (12), M8 hardware (17-19), and M8 Bolt and Nut Plate (14) onto the OEM mounting holes. See **Figure 14 & 15** for reference.

**Note:** Removal of the OEM plastic retainer is needed to be able to mount the bracket. See **Figure 13** for reference.

7. Refer to the installation sheet included with the Grate Steps Running Boards for running board installation instructions.



8. Align and adjust the brackets as needed. Tighten and torque all hardware once the running boards have been installed to the provided torque specs: M8 hardware to 18 ft lbs, M10 hardware to 38 ft lbs, and M12 hardware to 65 ft lbs.

COMPLETE INSTALLATION



Driver Side Shown



Passenger Side Shown

CARE INSTRUCTIONS

- REGULAR WAXING IS RECOMMENDED. DO NOT USE ANY TYPE OF POLISH OR WAX THAT MAY CONTAIN ABRASIVES.
- STAINLESS STEEL PRODUCTS CAN BE CLEANED WITH MILD SOAP AND WATER. STAINLESS STEEL POLISH SHOULD BE USED TO POLISH SMALL SCRATCHES.
- GLOSS BLACK FINISHES SHOULD BE CLEANED WITH MILD SOAP AND WATER.



Westin Automotive Products, Inc.  
320 W. Covina Blvd  
San Dimas, Ca. 91773

Thank you for choosing Westin products  
for additional installation assistance please call  
Customer Service (800) 793-7846

[www.westinautomotive.com](http://www.westinautomotive.com)



## WARNING



Failure to follow these instructions could lead to death, personal injury, and / or property damage.

Failure to follow these instructions could lead to death, personal injury, and / or property damage.

### FASTENERS:

All Westin supplied fasteners must be utilized and installed in accordance with the installation instructions and apply torque to the specifications as defined. **DOUBLE CHECK ALL FASTENERS BEFORE INITIAL USE, AND PERIODICALLY IN THE FUTURE TO ENSURE PROPER FUNCTION AND SAFETY.**

### DRILLING:

Most Westin products do not require drilling for installation. If drilling is defined as required, use caution when drilling a vehicle. **FAILURE TO REVIEW AN AREA TO BE DRILLED MAY RESULT IN PERSONAL INJURY AND/OR INJURY TO OTHERS AS WELL AS VEHICLE DAMAGE.**

### EYE PROTECTION:

**ALWAYS WEAR SAFETY GLASSES OR GOGGLES DURING THE INSTALLATION PROCESS TO AVOID PERSONAL INJURY.**

### MAXIMUM TOWING/CARRYING CAPACITY: (if applicable)

The Westin Receiver Hitches will have a visible tow rating label affixed directly on the product. User should never exceed the vehicle manufacturers maximum tow and weight rating regardless of the capacity of the hitch. **FAILURE TO FOLLOW THESE GUIDELINES WILL VOID THE WESTIN WARRANTY AND MAY RESULT IN PERSONAL INJURY AND/OR INJURY TO OTHERS AS WELL AS VEHICLE DAMAGE.**

### FOR CALIFORNIA RESIDENTS ONLY-PROP 65 WARNING:

Some products may contain chemicals such as DEHP, which can cause cancer, birth defects or other reproductive harm. For more info go to [www.p65warnings.ca.gov](http://www.p65warnings.ca.gov)



Westin Automotive Products, Inc.  
320 W. Covina Blvd  
San Dimas, Ca. 91773