

# INSTALLATION INSTRUCTIONS

## STEP BOARD MOUNT KIT

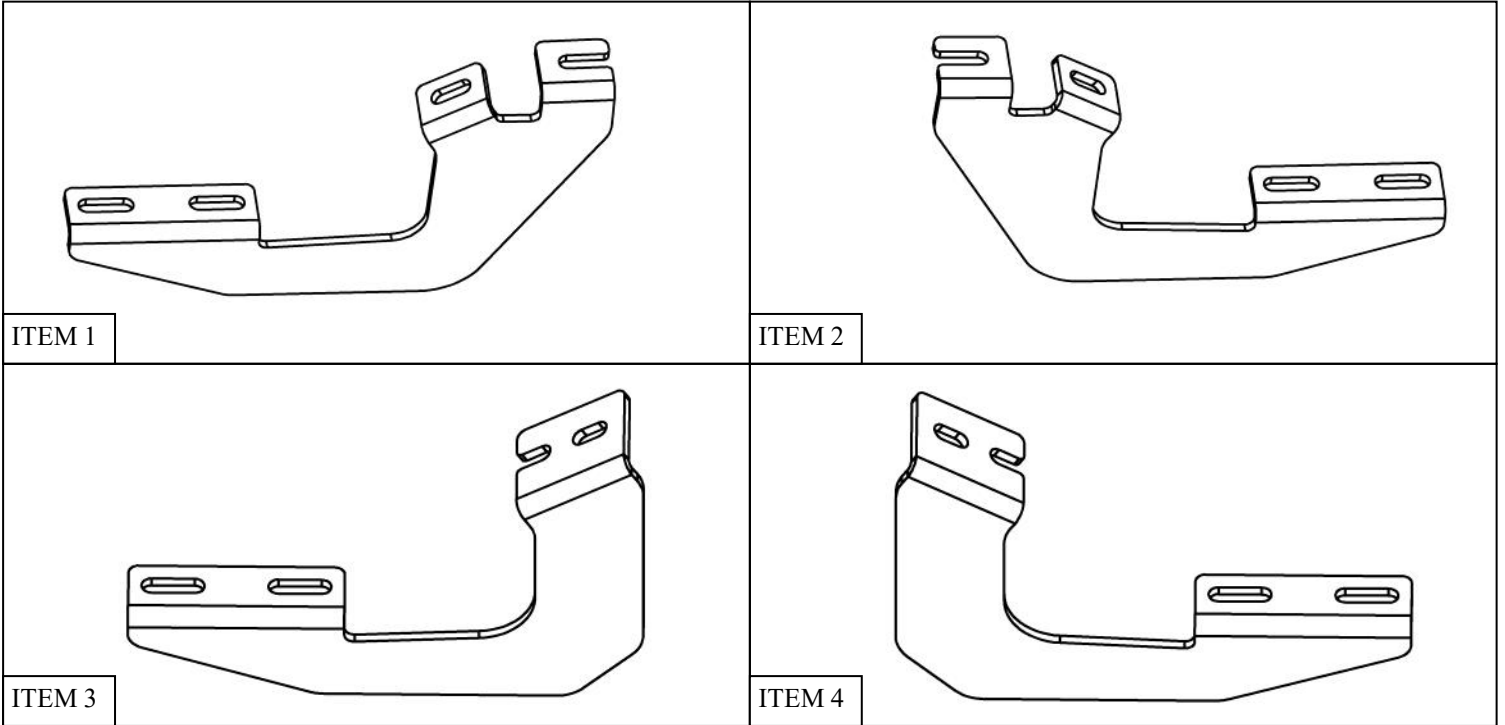


APPLICATION:  
2024 TACOMA XTRACAB / DOUBLE CAB

PART NUMBER:  
27-2785

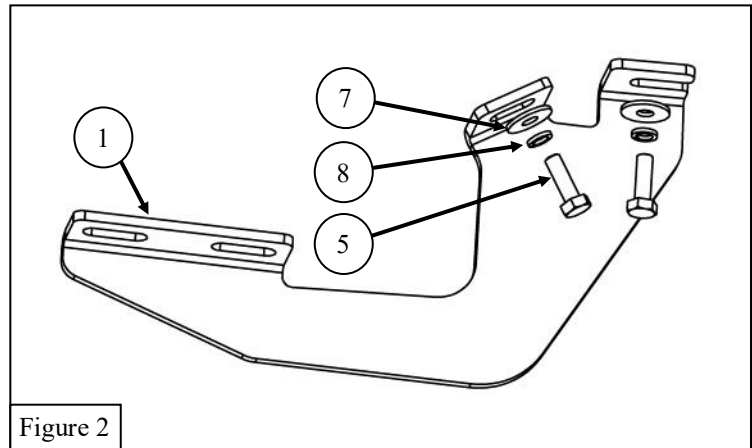
CONTENT			
ITEM	QUANTITY	DESCRIPTION	TOOLS NEEDED
1	1	DRIVER MOUNT BRACKET 'A'	13mm SOCKET
2	1	PASSENGER MOUNT BRACKET 'A'	RATCHET
3	2	DRIVER MOUNT BRACKET 'B'	TORQUE WRENCH
4	2	PASSENGER MOUNT BRACKET 'B'	
5	12	M8 HEX HEAD BOLT	
6	12	M8 SQUARE HEAD BOLT	
7	24	M8 FLAT WASHER	
8	12	M8 SPLIT LOCK WASHER	
9	12	M8 NYLON LOCK NUT	

**ANTI-SEIZE LUBRICANT MUST BE USED ON ALL STAINLESS STEEL FASTENERS TO PREVENT THREAD DAMAGE AND GALLING**

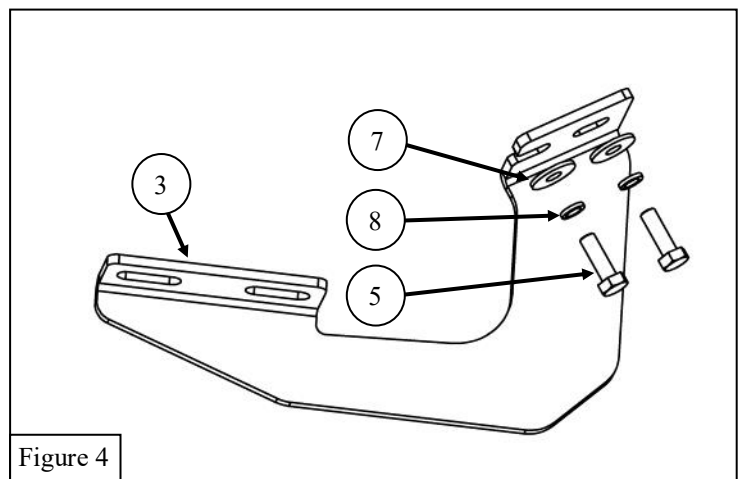
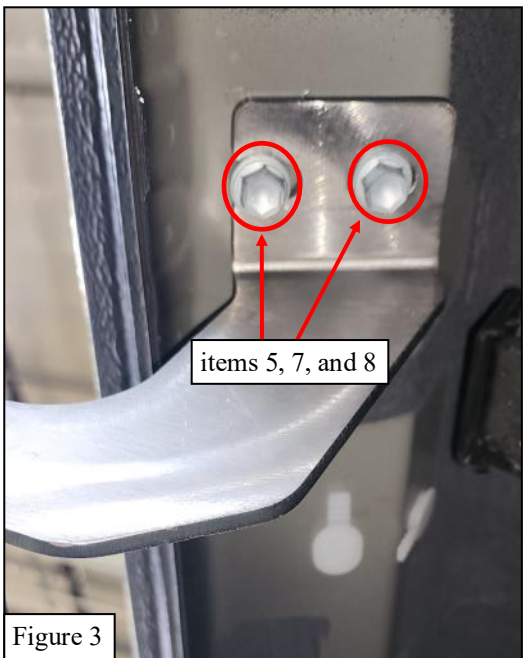


## PROCEDURE

1. Remove contents from box, verify if all parts listed are present and free from damage.  
Carefully read and understand all instructions before attempting installation.  
**Failure to identify damage before installation could lead to a rejection of any claim.**
2. Starting with the drivers side, locate and install the Driver Mount Bracket 'A' (**item 1**) using the M8 hardware (**items 5, 7, and 8**). See **Figures 1 & 2**.



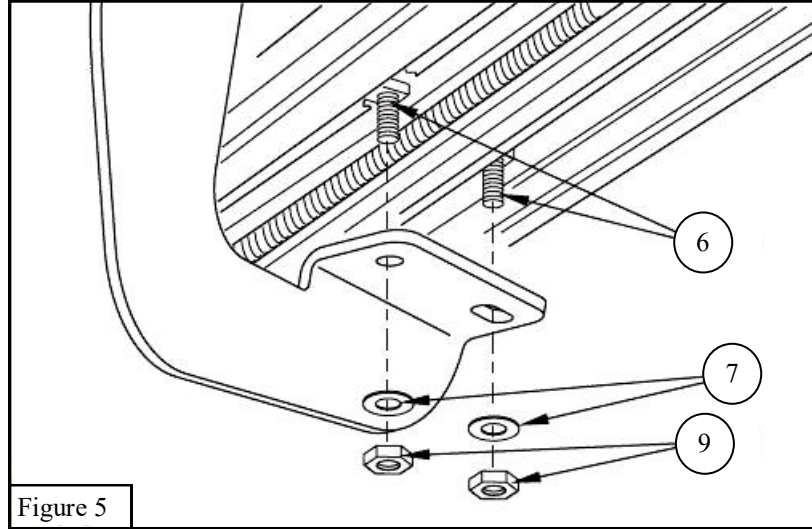
3. Locate and install (2) Driver Mount Bracket 'B' (**item 3**) using the M8 hardware (**items 5, 7, and 8**). See **Figures 3 & 4**.
4. Repeat steps 2 and 3 on the passenger side of the vehicle.



For Grate Steps Running Boards, refer to the installation sheet included with the running boards.

For SG6, Sure-Grip, and Molded Running Boards, refer to **Steps 5-8**.

5. Lay the running boards on top of the brackets.
6. Slide (12) M8 square head bolts (**item 6**) through slots on the bottom of the running board (excluding the center slot, three bolts per slot).
7. Loosely install (12) M8 flat washers (**item 7**) and (12) M8 nylon lock nuts (**item 9**). See **Figure 5**.
8. Align and adjust the running board as needed and fully tighten all hardware. Torque all M8 fasteners to 15-18 ft-lbs.



### INSTALLATION COMPLETE



#### CARE INSTRUCTIONS

- REGULAR WAXING IS RECOMMENDED. DO NOT USE ANY TYPE OF POLISH OR WAX THAT MAY CONTAIN ABRASIVES.
- STAINLESS STEEL PRODUCTS CAN BE CLEANED WITH MILD SOAP AND WATER. STAINLESS STEEL POLISH SHOULD BE USED TO POLISH SMALL SCRATCHES.
- GLOSS BLACK FINISHES SHOULD BE CLEANED WITH MILD SOAP AND WATER.

**WESTIN** Westin Automotive Products, Inc.  
320 W. Covina Blvd  
San Dimas, Ca. 91773

Thank you for choosing Westin products  
for additional installation assistance please call  
Customer Service (800) 793-7846  
[www.westinautomotive.com](http://www.westinautomotive.com)



## WARNING



Failure to follow these instructions could lead to death, personal injury, and / or property damage.

Failure to follow these instructions could lead to death, personal injury, and / or property damage.

### FASTENERS:

All Westin supplied fasteners must be utilized and installed in accordance with the installation instructions and apply torque to the specifications as defined. **DOUBLE CHECK ALL FASTENERS BEFORE INITIAL USE, AND PERIODICALLY IN THE FUTURE TO ENSURE PROPER FUNCTION AND SAFETY.**

### DRILLING:

Most Westin products do not require drilling for installation. If drilling is defined as required, use caution when drilling a vehicle. **FAILURE TO REVIEW AN AREA TO BE DRILLED MAY RESULT IN PERSONAL INJURY AND/OR INJURY TO OTHERS AS WELL AS VEHICLE DAMAGE.**

### EYE PROTECTION:

**ALWAYS WEAR SAFETY GLASSES OR GOGGLES DURING THE INSTALLATION PROCESS TO AVOID PERSONAL INJURY.**

### MAXIMUM TOWING/CARRYING CAPACITY: (if applicable)

The Westin Receiver Hitches will have a visible tow rating label affixed directly on the product. User should never exceed the vehicle manufacturers maximum tow and weight rating regardless of the capacity of the hitch. **FAILURE TO FOLLOW THESE GUIDELINES WILL VOID THE WESTIN WARRANTY AND MAY RESULT IN PERSONAL INJURY AND/OR INJURY TO OTHERS AS WELL AS VEHICLE DAMAGE.**

### FOR CALIFORNIA RESIDENTS ONLY-PROP 65 WARNING:

Some products may contain chemicals such as DEHP, which can cause cancer, birth defects or other reproductive harm. For more info go to [www.p65warnings.ca.gov](http://www.p65warnings.ca.gov)



Westin Automotive Products, Inc.  
320 W. Covina Blvd  
San Dimas, Ca. 91773

Thank you for choosing Westin products  
for additional installation assistance please call  
Customer Service (800) 793-7846  
[www.westinautomotive.com](http://www.westinautomotive.com)