

INSTALLATION INSTRUCTIONS

Control Box Relocation Bracket for SX10/10SR/12/12SR Winches



APPLICATION:

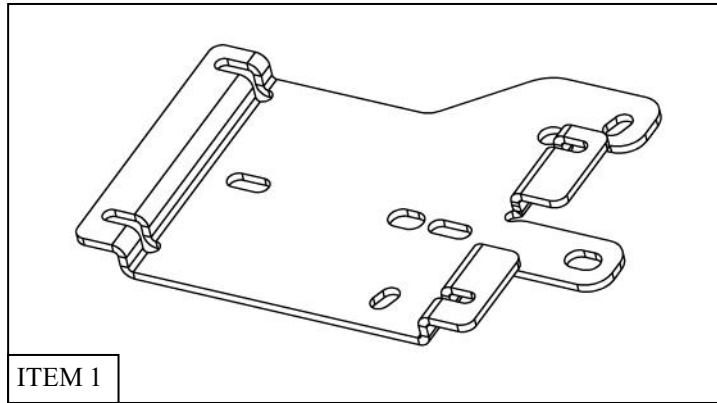
UNIVERSAL, TACOMA 2016-2023, 4RUNNER 40TH ANIV/SR5 & PREMIUM/TRD OFF-ROAD & PRO/TRAIL/VENTURE 2014-2023 (EXCL. LIMITED/NIGHTSHADE/TRD SPORT)

PART NUMBER:

2597

CONTENT			
ITEM	QUANTITY	DESCRIPTION	TOOLS NEEDED
1	1	CONTROL BOX RELOCATION BRACKET	
2	2	M8 HEX HEAD CAP SCREW (YELLOW ZINC)	
3	2	M8 SPLIT LOCK WASHER (YELLOW ZINC)	
4	2	M8 FLAT WASHER (YELLOW ZINC)	
5	2	M6 HEX HEAD CAP SCREW (YELLOW ZINC)	
6	2	M6 SPLIT LOCK WASHER (YELLOW ZINC)	
7	2	M6 FLAT WASHER (YELLOW ZINC)	
8	2	M6 THREAD FORMING SCREW (YELLOW ZINC)	
9	4	M5 HEX SOCKET BUTTON HEAD CAP SCREW (YELLOW ZINC)	
10	4	M5 SERRATED FLANGED HEX NUT (YELLOW ZINC)	

ANTI-SEIZE LUBRICANT MUST BE USED ON ALL STAINLESS STEEL FASTENERS TO PREVENT THREAD DAMAGE AND GALLING



PROCEDURE

1. Remove contents from box, verify if all parts listed are present and free from damage. Carefully read and understand all instructions before attempting installation.
Failure to identify damage before installation could lead to a rejection of any claim.

Tacoma 2016-2023 Installation

1. Attach the control box bracket to the vehicle using the M8 hardware (items 2,3, and 4). See Figures 1-3.
2. Tighten the M8 hardware to 7-8ft-lbs.
3. Attach the control box to the control box bracket (item 1) using the M5 hardware (items 9 & 10). See Figures 3 & 4.

*Note: Refer to the **Cable Kit Instructions** for wiring instructions.*

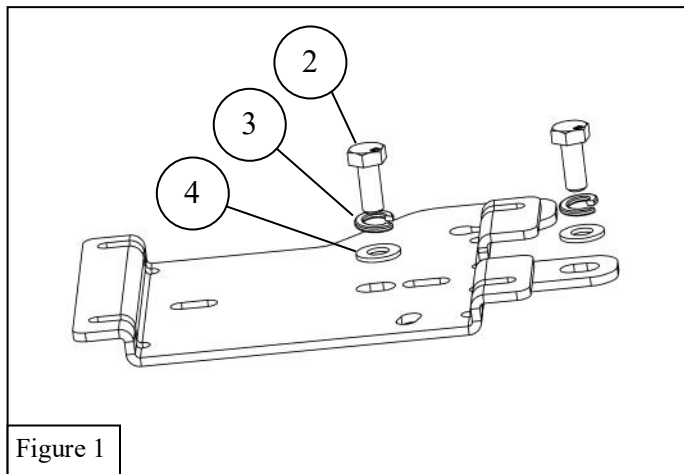


Figure 1

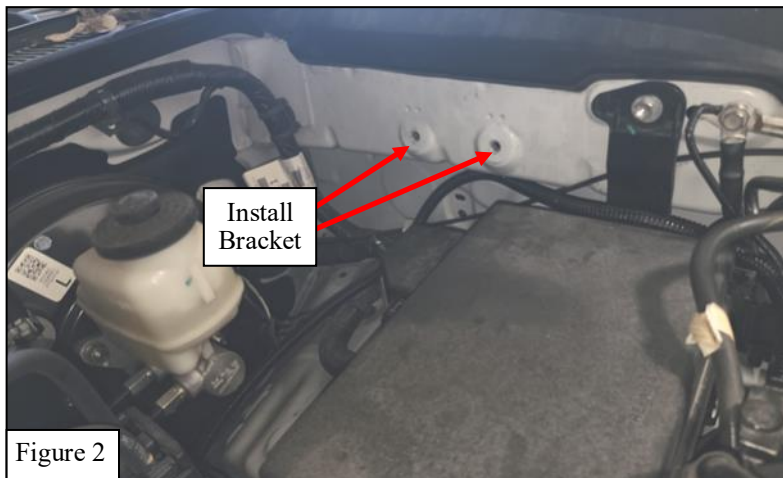


Figure 2



Figure 3

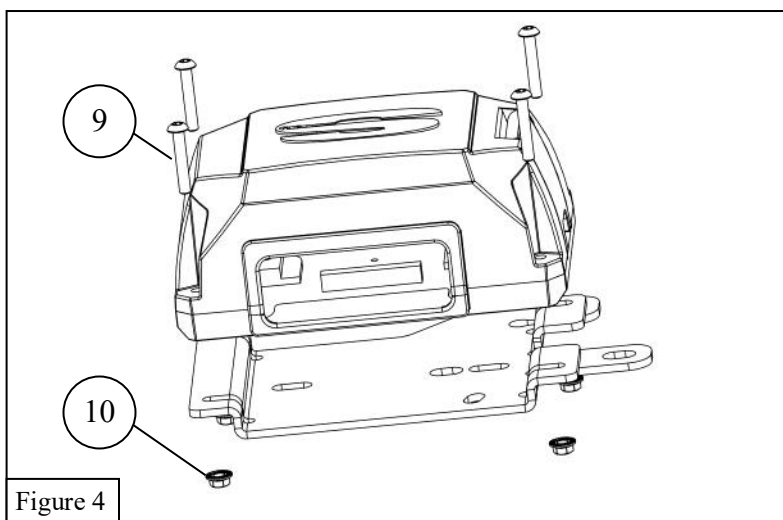
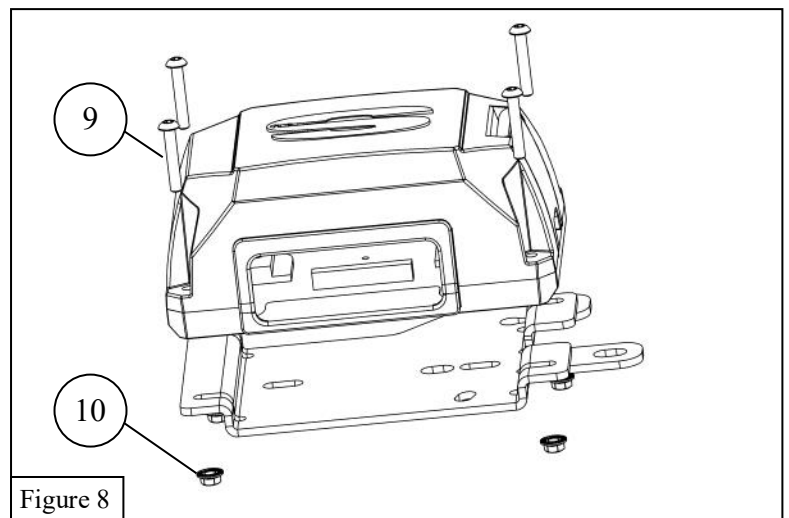
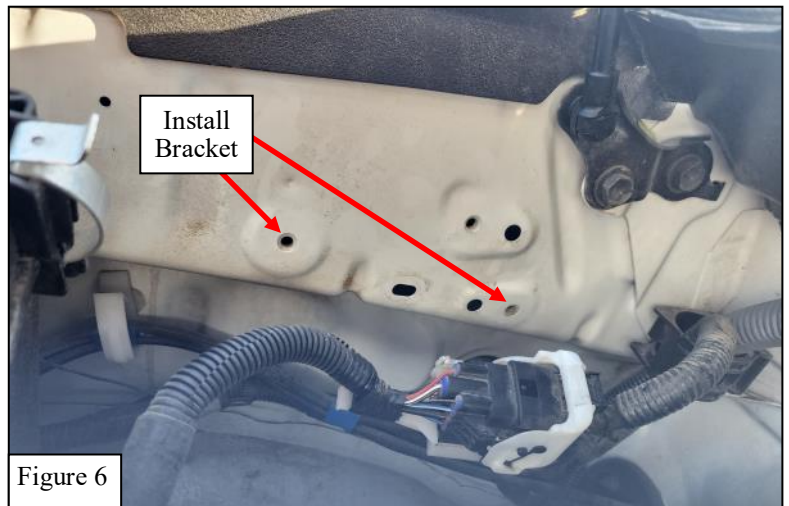
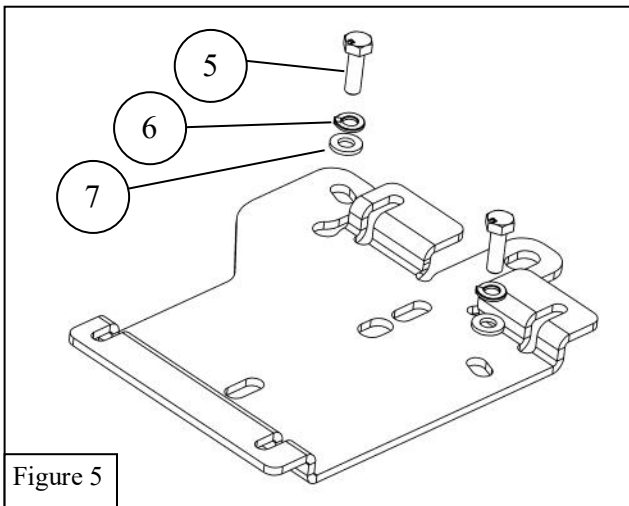


Figure 4

4Runner Installation

1. Attach the control box bracket (**item 1**) to the vehicle using the M6 hardware (**items 5-7**). See **Figures 5-7**.
2. Tighten the M6 hardware to 7-8ft-lbs.
3. Attach the control box to the control box bracket (item 1) using the M5 hardware (**items 9 & 10**). See **Figures 7 & 8**.

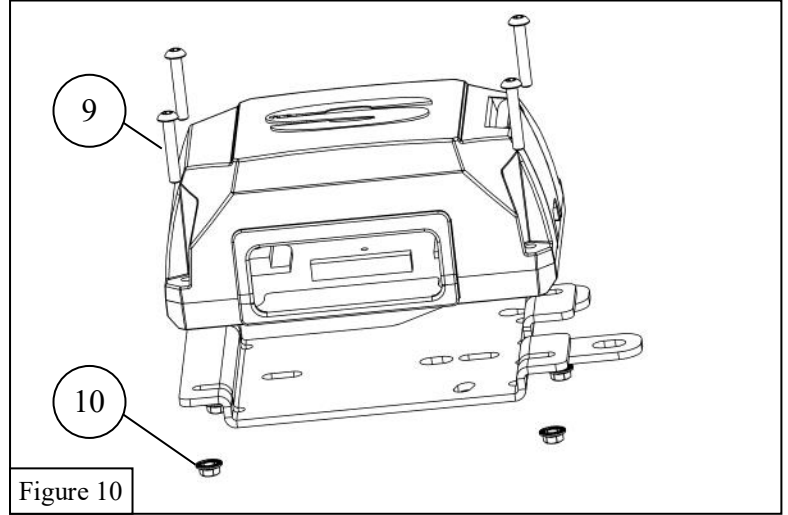
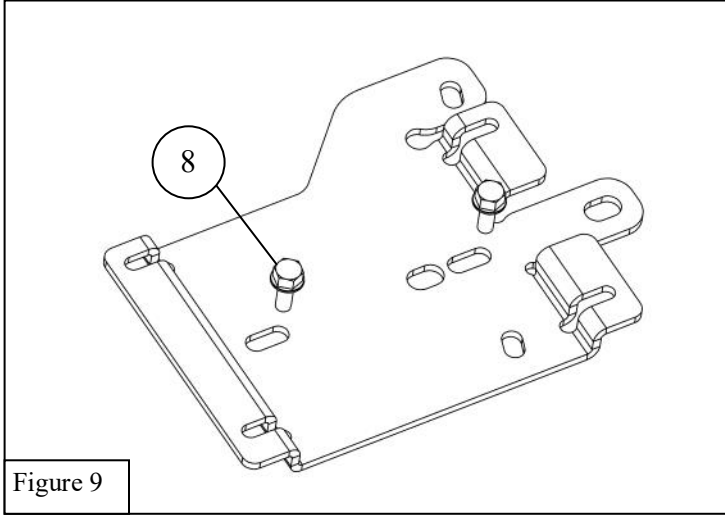
*Note: Refer to the **Cable Kit Instructions** for wiring instructions.*



Universal Installation

1. Find a location to install the control box and control box bracket (**item 1**).
2. Attach the control box bracket to the vehicle using the M6 hardware (**items 8**). Tighten the M6 hardware to 7-8 ft-lbs. See **Figure 9**.
3. Attach the control box to the control box bracket using the M5 hardware (**items 9 & 10**). See **Figure 10**.

*Note: Refer to the **Cable Kit Instructions** for wiring instructions.*





WARNING



Failure to follow these instructions could lead to death, personal injury, and / or property damage.

Failure to follow these instructions could lead to death, personal injury, and / or property damage.

FASTENERS:

All Westin supplied fasteners must be utilized and installed in accordance with the installation instructions and apply torque to the specifications as defined. **DOUBLE CHECK ALL FASTENERS BEFORE INITIAL USE, AND PERIODICALLY IN THE FUTURE TO ENSURE PROPER FUNCTION AND SAFETY.**

DRILLING:

Most Westin products do not require drilling for installation. If drilling is defined as required, use caution when drilling a vehicle. **FAILURE TO REVIEW AN AREA TO BE DRILLED MAY RESULT IN PERSONAL INJURY AND/OR INJURY TO OTHERS AS WELL AS VEHICLE DAMAGE.**

EYE PROTECTION:

ALWAYS WEAR SAFETY GLASSES OR GOGGLES DURING THE INSTALLATION PROCESS TO AVOID PERSONAL INJURY.

MAXIMUM TOWING/CARRYING CAPACITY: (if applicable)

The Westin Receiver Hitches will have a visible tow rating label affixed directly on the product. User should never exceed the vehicle manufacturers maximum tow and weight rating regardless of the capacity of the hitch. **FAILURE TO FOLLOW THESE GUIDELINES WILL VOID THE WESTIN WARRANTY AND MAY RESULT IN PERSONAL INJURY AND/OR INJURY TO OTHERS AS WELL AS VEHICLE DAMAGE.**

FOR CALIFORNIA RESIDENTS ONLY-PROP 65 WARNING:

Some products may contain chemicals such as DEHP, which can cause cancer, birth defects or other reproductive harm. For more info go to www.p65warnings.ca.gov



Westin Automotive Products, Inc.
320 W. Covina Blvd
San Dimas, Ca. 91773

Thank you for choosing Westin products
for additional installation assistance please call
Customer Service (800) 793-7846
www.westinautomotive.com