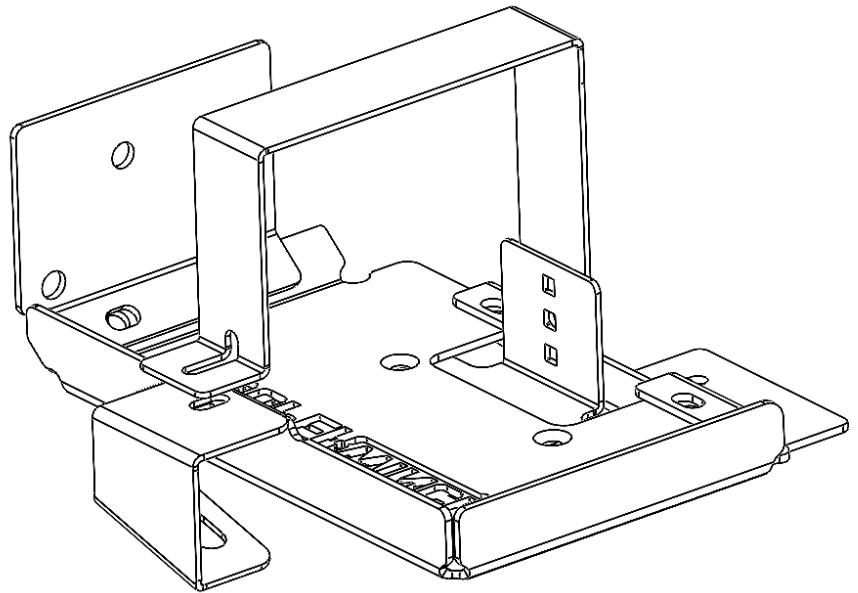




Auxiliary Battery Tray



PART NUMBERS:

2593: 2018-2021 Jeep Wrangler JL, 2020-2021
Jeep Gladiator



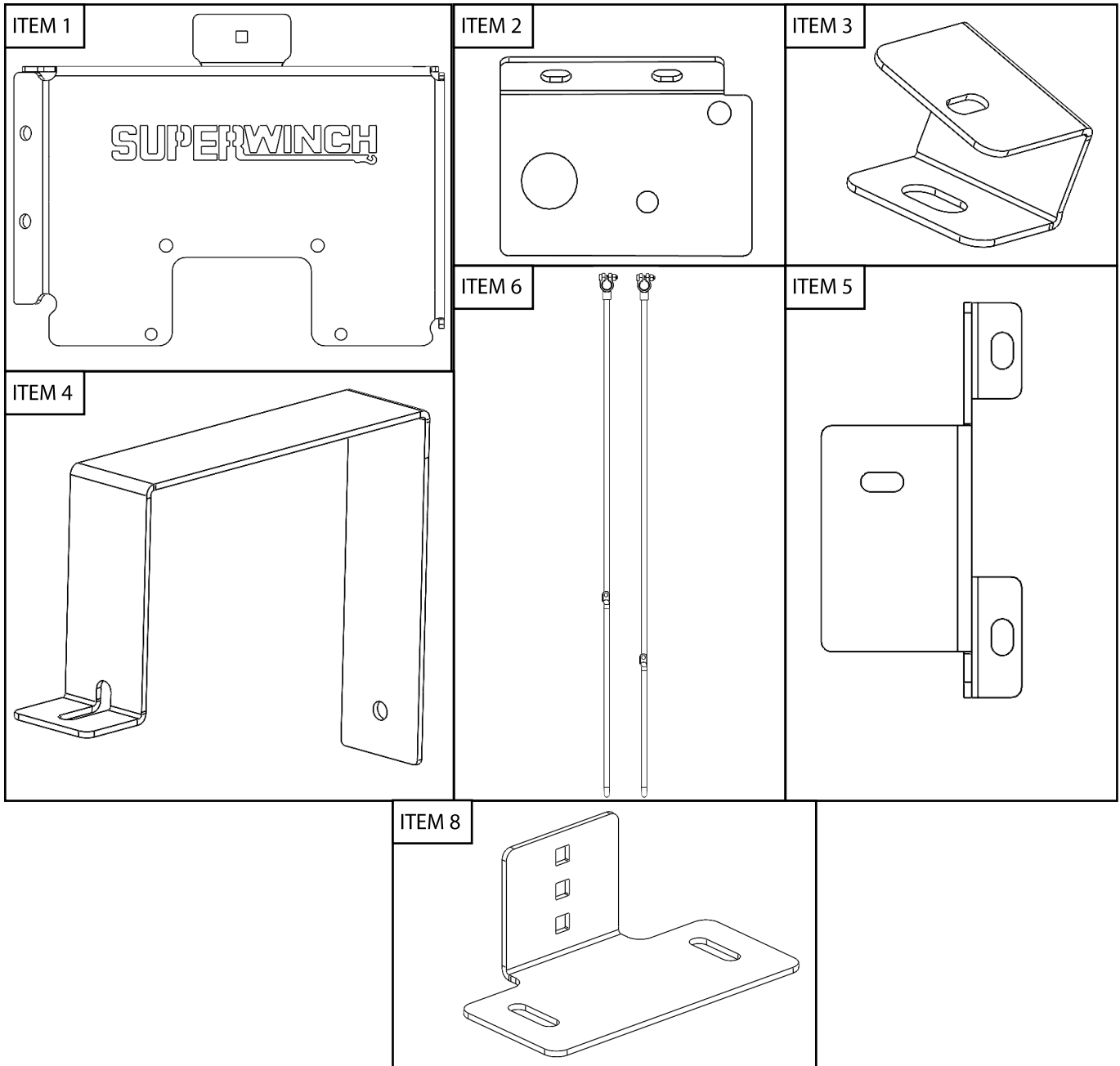
SAVE THESE
INSTRUCTIONS

CONTENTS

ITEM	QUANTITY	DESCRIPTION
1	1	MAIN TRAY
2	1	FRAME BRACKET
3	1	SUPPORT BRACKET
4	1	BATTERY STRAP
5	1	CROSSMEMBER BRACKET
6	1	POWER CABLE
7	1	GROUND CABLE
8	1	BATTERY SLIDER BRACKET
9	1	M12 BOLT PLATE
10	4	WIRE CLAMP
11	1	FOAM ISOLATOR TAPE
12	4	M8 U-CLIP
13	1	M8 CARRIAGE BOLT
14	1	M8 LONG BUTTON HEAD BOLT
15	4	M8 HEX HEAD BOLT
16	4	M8 SERRATED FLANGE NUT
17	2	M8 HEX HEAD COUNTERSUNK SCREW
18	1	M12 HEX BOLT
19	5	M8 FLAT WASHER
20	4	M8 SPLIT LOCK WASHER
21	2	M12 SERRATED FLANGE NUT
22	4	SELF-TAPPING SCREW
23	20	ZIP TIES
24	1	M12 FISH WIRE
25	1	M12 FLAT WASHER

ANTI-SEIZE LUBRICANT MUST BE USED ON ALL STAINLESS STEEL FASTENERS TO PREVENT THREAD DAMAGE AND GALLING

INSTALLATION INSTRUCTIONS



Note: This kit excludes diesel models. It is **ONLY** compatible with Group 34/35 AGM and lithium batteries that can be mounted sideways. It is not compatible with lead acid batteries.

1. Remove contents from box, verify if all parts listed are present and free from damage. **Failure to identify damage before installation could lead to a rejection of any claim.**
2. Carefully read and understand all instructions before attempting installation. **Ensure that all mounting hardware is torqued to specifications prior to use.**

INSTALLATION INSTRUCTIONS

1. Remove contents from box, verify if all parts listed are present and free from damage. Failure to identify damage before installation could lead to a rejection of any claim.
2. Carefully read and understand all instructions before attempting installation. Ensure that all mounting hardware is torqued to specifications prior to use.

Note: It is recommended to first install the battery tray empty to adjust brackets, then remove to install the battery.

3. Remove the cover plate under the passenger side as shown in Figure 1.

Figure 1



4. Remove the factory skid plate crossmember and skid plate bolt shown below in Figure 2-3.

Figure 2

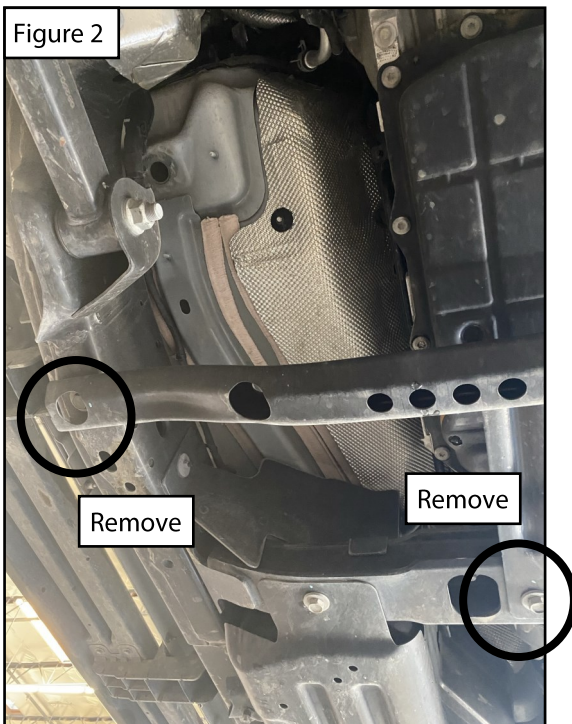


Figure 3



5. Use the supplied M12 fish wire to install the supplied bolt plate through the frame. Install from the outer side of the frame. Pull in with the fish wire into the inside of the frame all the way through. See Figure 4-5

Figure 4

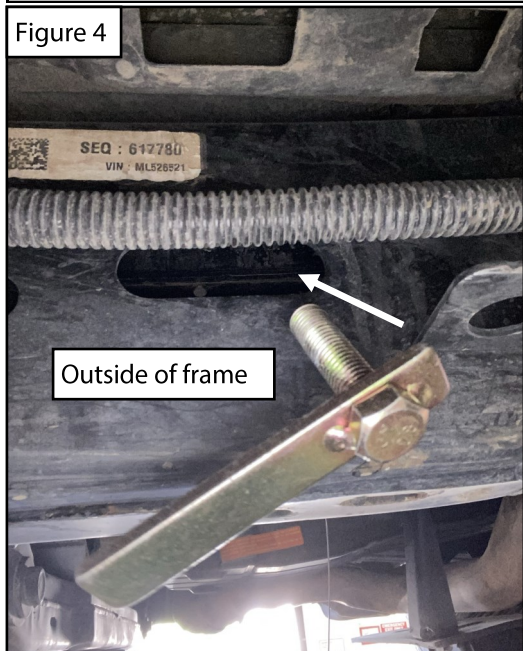
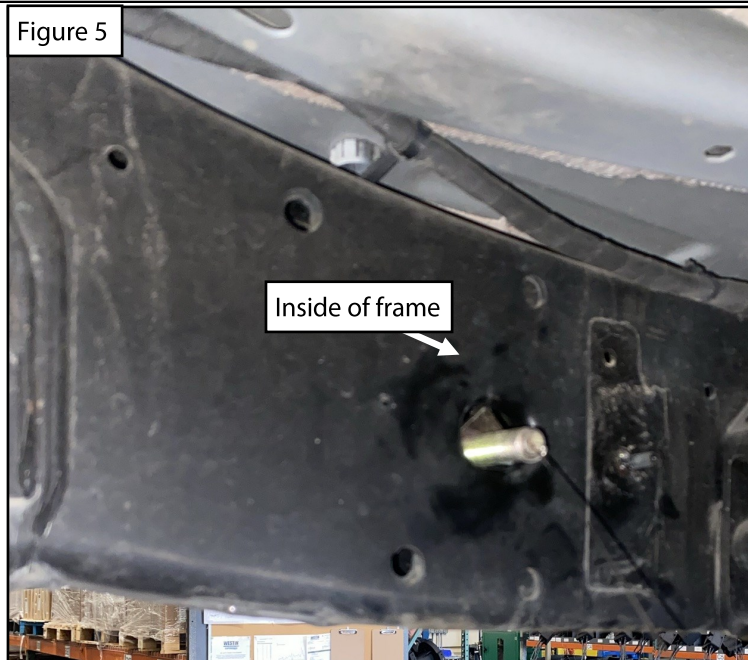


Figure 5



6. Install the frame bracket to the side of the frame with supplied M12 hardware. Install M8 U-clips as shown in Figure 6-7.

Figure 6

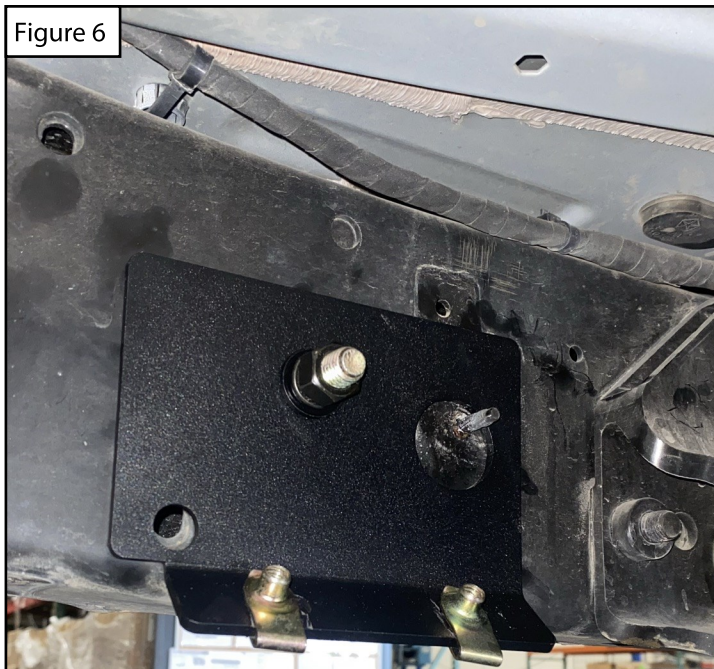
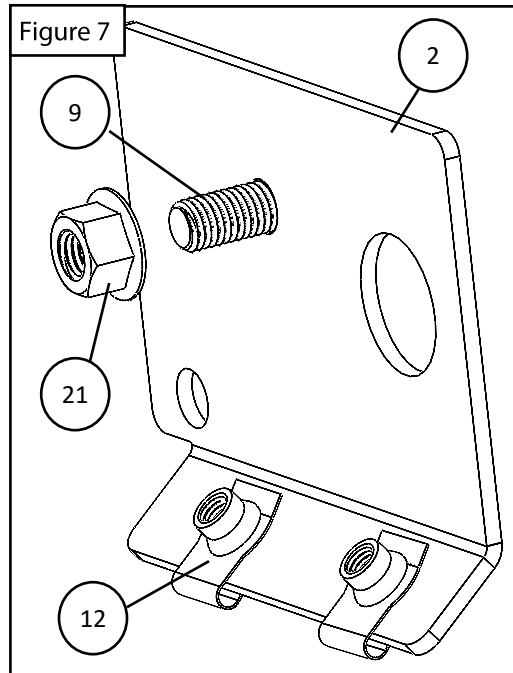


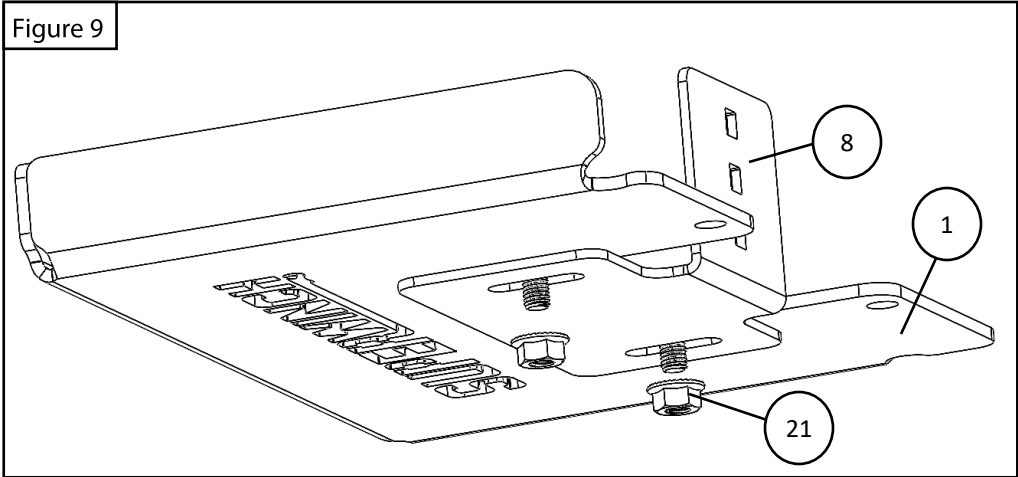
Figure 7



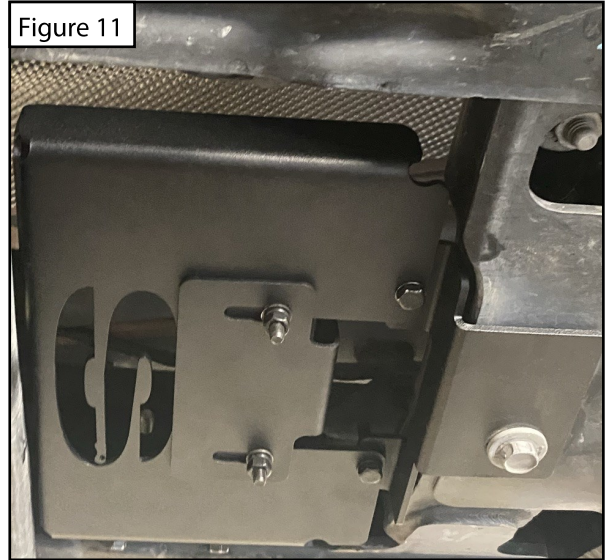
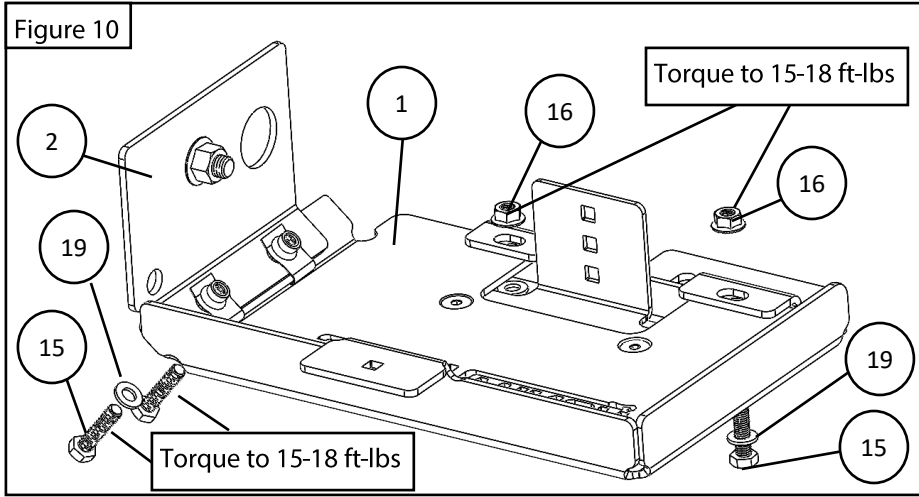
7. Reusing the factory bolt, install the crossmember bracket to the crossmember as shown in **Figure 8**.



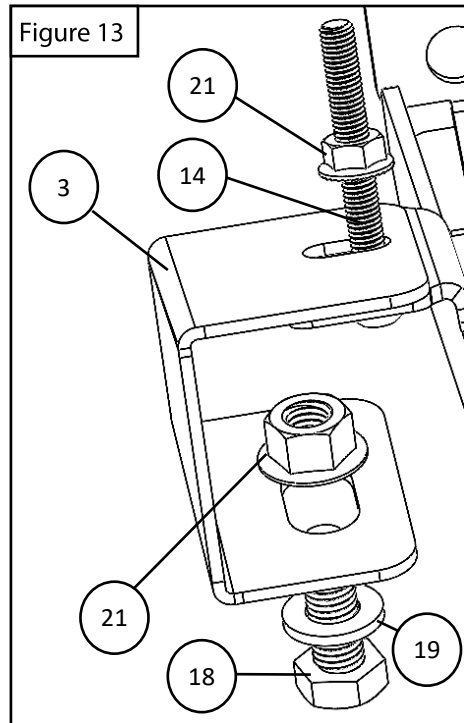
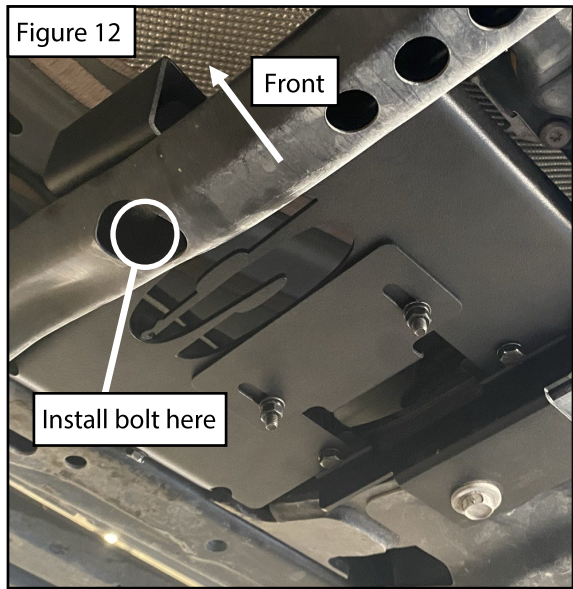
8. Using supplied M8 hardware, loosely assemble the battery slider bracket (8) to the main tray. See **Figure 9**



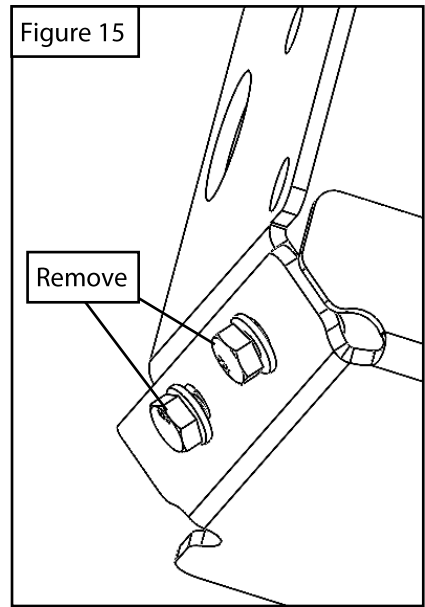
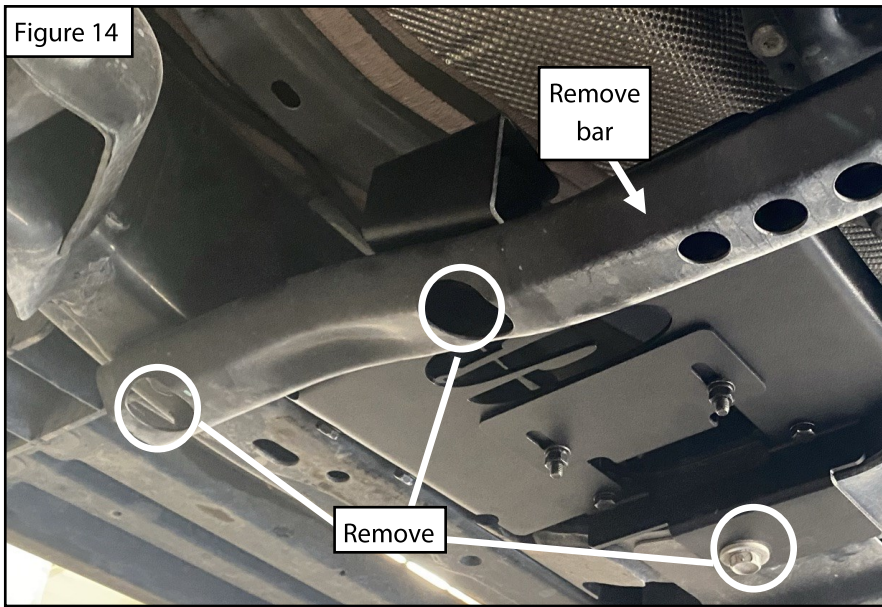
9. Install the main tray assembly to the installed brackets as shown in Figure 10-11.



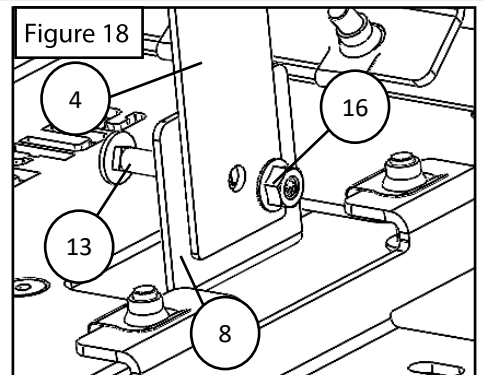
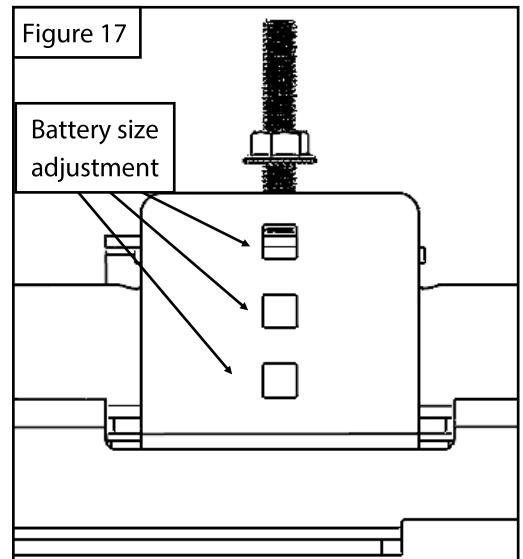
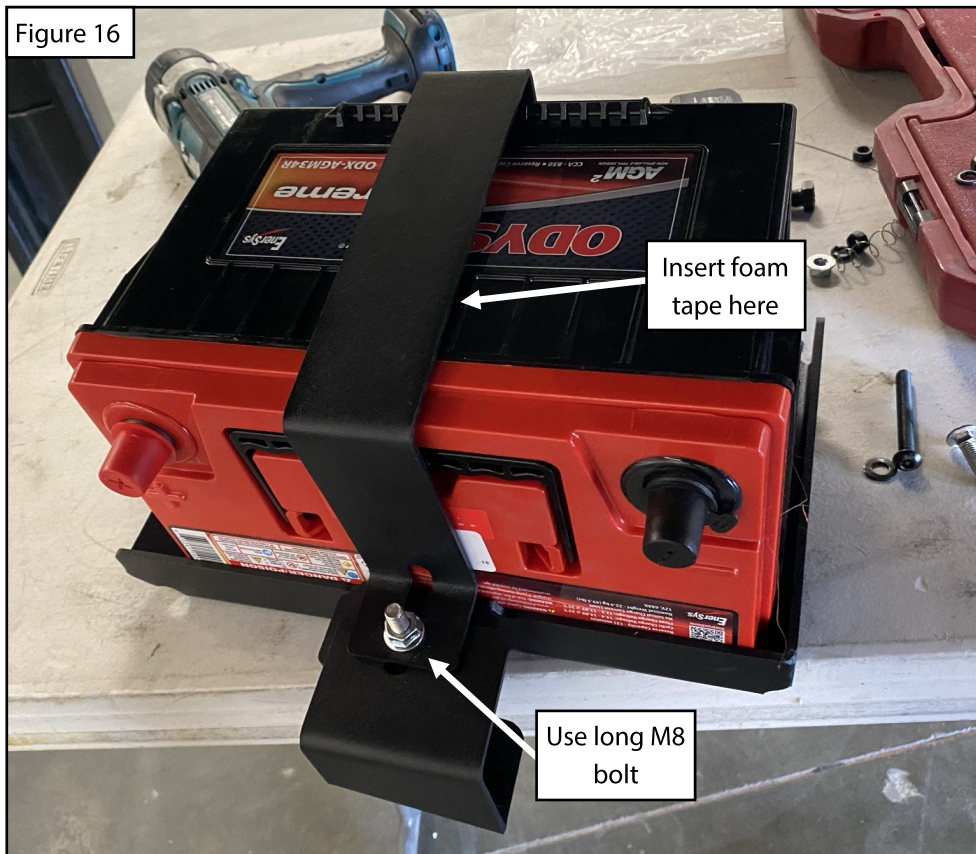
10. Using supplied M12 hardware, loosely install the support bracket to the skid plate crossmember. Replace the skid plate crossmember and install the support plate to the assembly as shown in Figures 12-13.



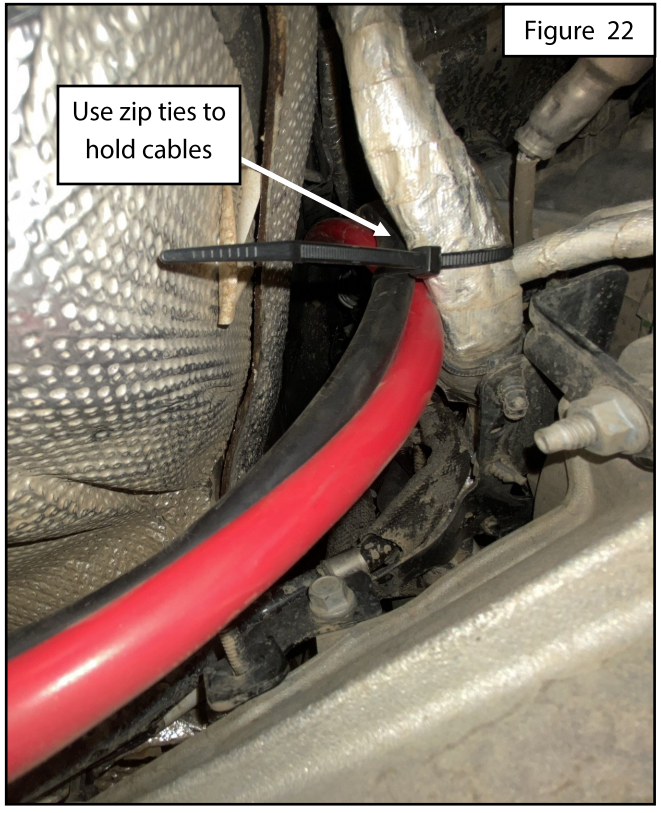
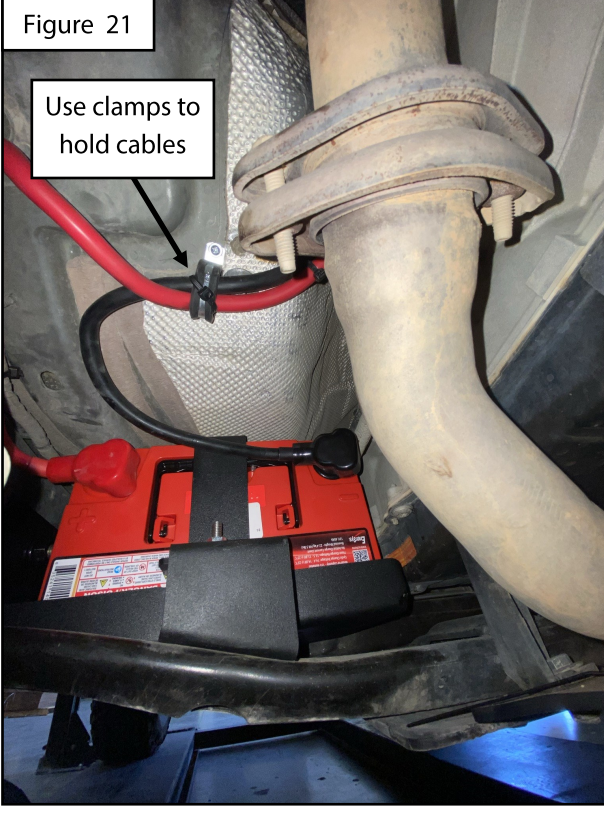
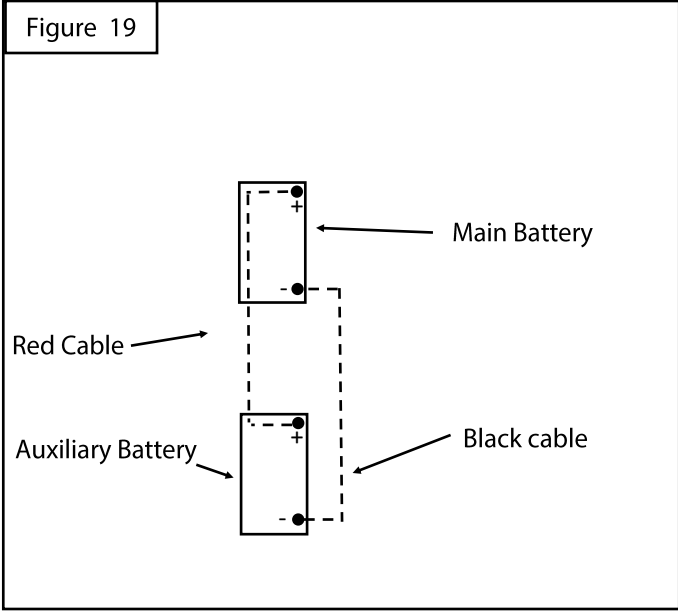
11. Adjust the brackets as needed and remove the hardware shown in Figure 14-15.



12. Using supplied M8 hardware, assemble your auxiliary battery to the battery tray. Use the supplied foam tape on the bottom side of the battery strap. There are adjustment holes on the strap for different sizes of batteries. See Figure 16-18



13. Reinstall the tray assembly with the battery installed using the same hardware previously installed.
14. Using supplied zip ties, wire clamps, and self tapping screws, route the battery cables along the vehicle *avoiding hot areas and sharp edges*. See Figure 19 for correct wiring orientation. See Figures 20-22 for routing tips



INSTALLATION COMPLETE



WARNINGS

Failure to follow these instructions could lead to death, personal injury, and / or property damage.

FASTENERS:

All SUPERWINCH supplied fasteners must be utilized and installed in accordance with the installation instructions and apply torque to the specifications as defined. **DOUBLE CHECK ALL FASTENERS BEFORE INITIAL USE, AND PERIODICALLY IN THE FUTURE TO ENSURE PROPER FUNCTION AND SAFETY.**

EYE PROTECTION:

ALWAYS WEAR SAFETY GLASSES OR GOGGLES DURING THE INSTALLATION PROCESS TO AVOID PERSONAL INJURY.

FOR CALIFORNIA RESIDENTS ONLY-PROP 65 WARNING:

Some products may contain chemicals such as DEHP, which can cause cancer, birth defects or other reproductive harm. For more info go to www.p65warnings.ca.gov



For more information on this and other products,
or to be put in contact with a Superwinch sales
rep or distributor, call (800) 323- 2031
or email info@superwinch.com

SUPERWINCH
320 W. COVINA BLVD.
SAN DIMAS, CA 91773

© 2019 SUPERWINCH®, Superwinch®, and S Superwinch® (design) are registered trademarks of Superwinch Inc. in the United States and/or other countries.